

BA5030-A

BA5030H24B-A-Integrated



Features:

- 24 VDC rated input
- Built-in driver
- PWM input speed control
- High efficiency three-phase brushless DC motor
- Environmentally friendly materials

Advantages:

- High pressure 2.9kpa
- Mini compact
- Low noise
- High reliability
- Convenient for installation
- Low inertia

Applications:

- Soldering station for desoldering

The TKFAN-BA5030H24B-A blower integrates high-energy rare earth magnet technology. Significantly improve the torque output efficiency; The frame and impeller are made of PBT material, which is light in weight, has good structural rigidity and is not easy to deform, and has good heat resistance. Impact-resistant and wear-resistant. Reduce the inertial load of the equipment; Built-in high. A reliable ball bearing system, processed with precision and reinforced material technology. It can withstand the mechanical stress of long-term high-speed operation and extend its service life. The equipment; It adopts dust-proof treatment to ensure stable operation in dust. Other complex environments.

With innovative technology and precision design at its core, TKFAN-BA5030H24B-A blower provides efficient and reliable airflow solutions for industrial and commercial applications. By integrating cutting-edge powertrains and optimized aerodynamics, the product achieves superior performance output in a compact volume, making it ideal for high-density Spaces and demanding environments.

1. Technical Data

Electrical	Unit	Value
Dimension	[Mm]	58X50X28
Rated Voltage	[V _{dc}]	24
Voltage Range	[V _{dc}]	8 to 26.5
Rated Current	[A]	0.45
Rated Power	[W]	10.8
Rated Speed	[rpm/min]	28000
Static Pressure (When Air Flow= 0)	[Pa]	2918
Air Flow (In Free Air)	[l/min]	169.8

Environmental

Ambient temperature(operating)	[°C]	-40 to 60
Ambient temperature(storage)	[°C]	-40 to 60
Relative humidity(noncondensing)	[% RH]	10 to 85
Waterproof level		IP68
Maximumoxygen concentration	[%]	N/A

Motor

Type		Brushless motor
Winding insulation class		F, 155 °C
NTC type		N/A

Lifetime

L10 at 25 °C ambient temperature	[h]	10000
----------------------------------	-----	-------

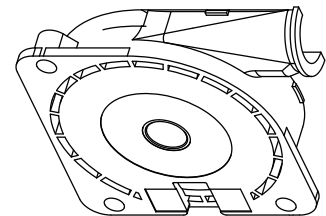
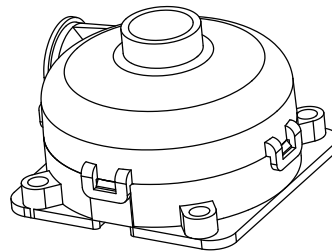
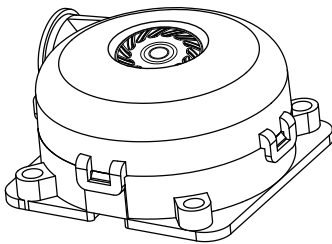
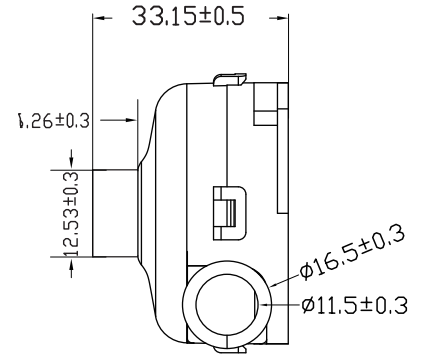
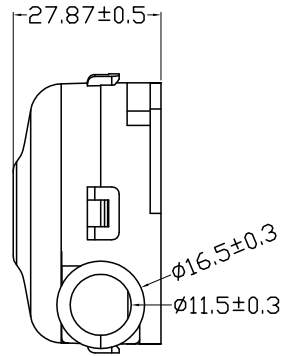
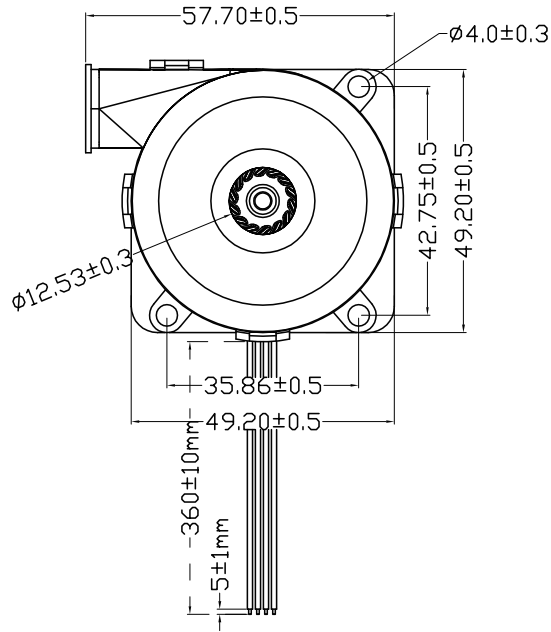
Noise

Sound pressure level	[dB-A]	59.1
----------------------	--------	------

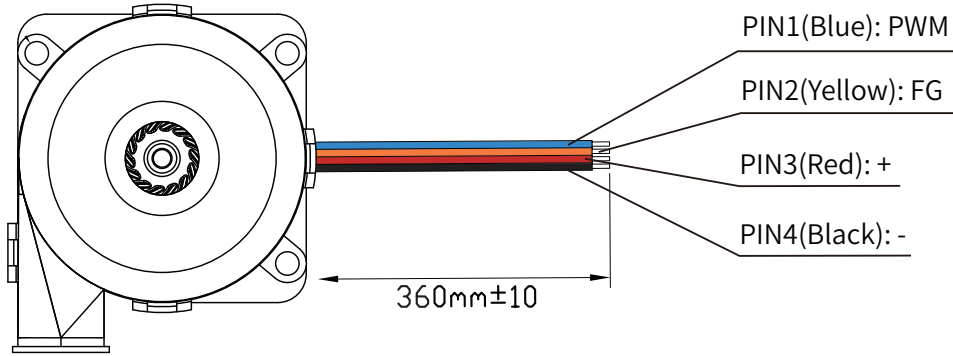
Mechanical

Blower weight	[g]	56
---------------	-----	----

2. Mechanical Structure Diagram



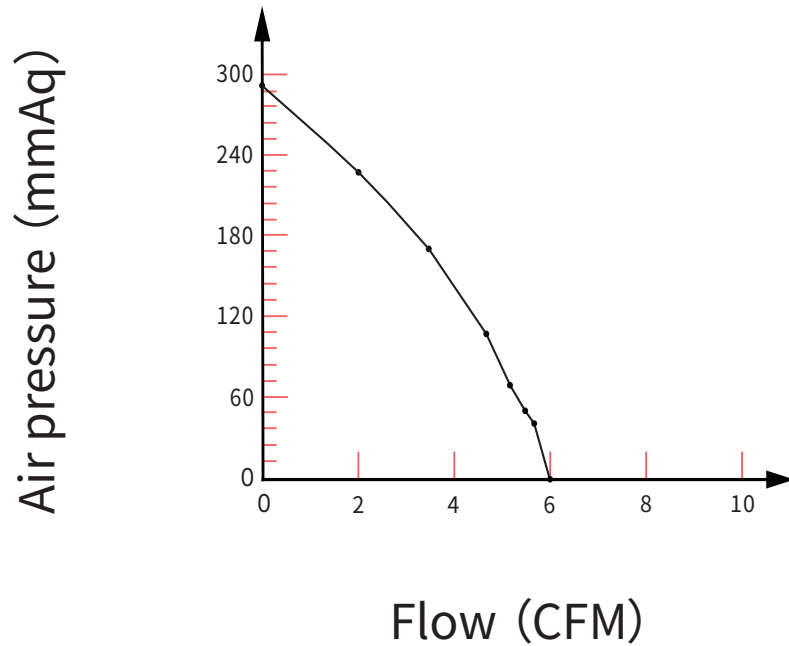
3. Electrical Connection Diagram



Wire model	Wire Number	Colour	Function
UL 1007#24AWG	1	Blue	PWM
	2	Yellow	FG
	3	Red	+
	4	Black	-

4. P-Q Data and Curve

4.1 PQ Curve

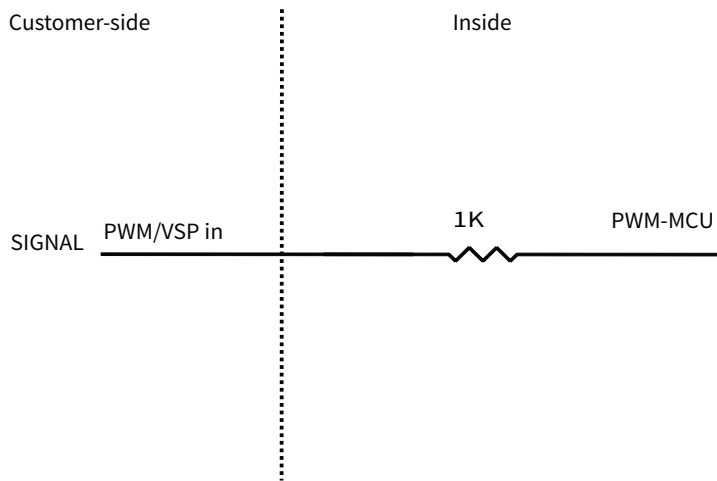


4.2 PQ Data

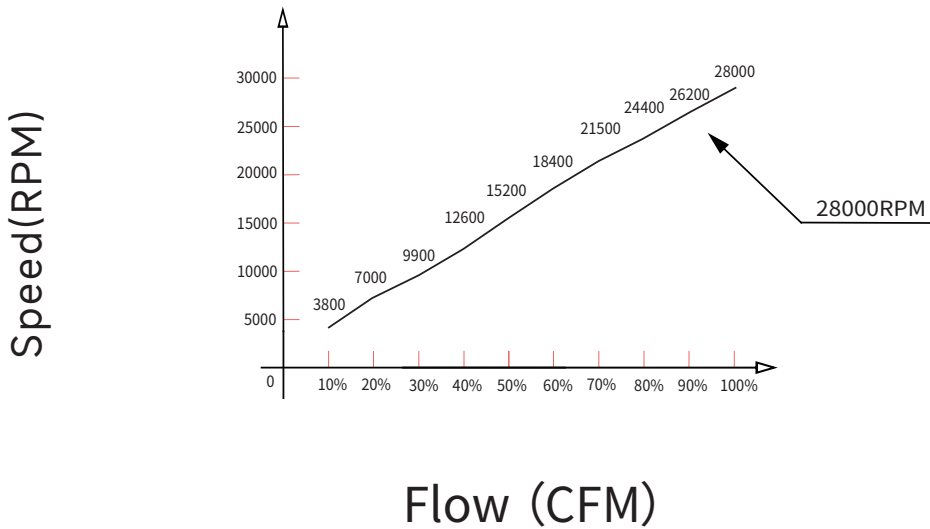
NO.	mmAq	CFM	A	Watt
1	291.75	-0.03	0.23	5.6
2	229	1.98	0.34	8.1
3	172	3.44	0.38	9.2
4	109	4.63	0.41	10
5	70.75	5.12	0.42	10.1
6	51.75	5.44	0.42	10.1
7	42	5.63	0.43	10.3
8	0	5.97	0.42	10.1

5. PWM Curve

5.1 PWM Connecting Diagram



5.2 PWM data curve



6. 0-5V Speed Control

6.1 5V Connetcing Diagram

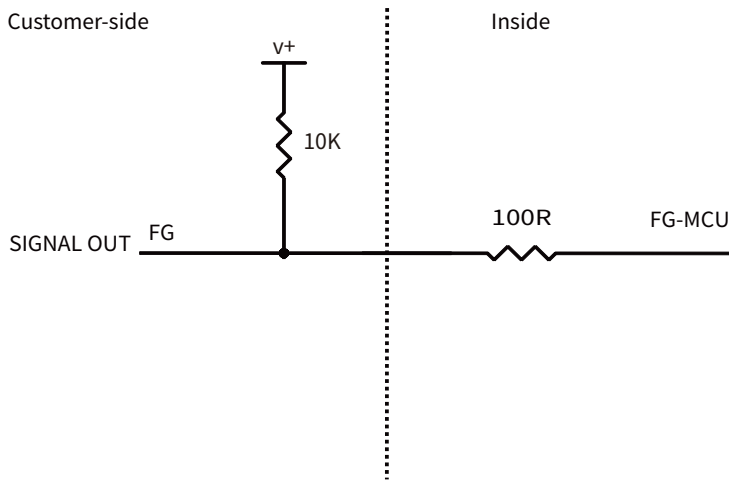
NC

6.2 0-5V data curve

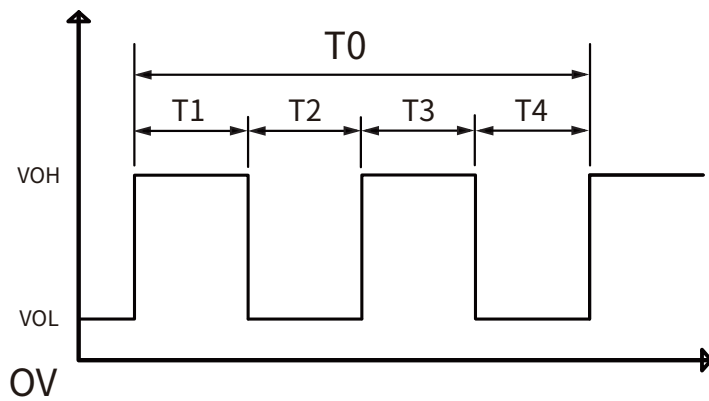
NC

7. FG Speed Feedback Diagram

7.1 Signal output diagram



7.2 Rotational speed frequency



8. Temperature Test Report

NC

TAKE A CLOSER LOOK

TK FAN solutions for a wide variety of applications, including medical, automation, packaging, industrial, aerospace and defense are only a click away. Visit our worldwide web site for more information.

For product information, vis www.tkfan.com

For more information or the office nearest you, contact us online, sales@tenkai-group.com

However, to ensure that you can smoothly find the relevant person in charge and receive timely reception, it is recommended that you make an appointment in advance by phone or email.

9. Related Products

Model	Dimension	Voltage	RPM	Air Flow	Air Pressure	Watt