

BA9080-A

BA9080H24B-A-Integrated



Features:

- 24 VDC rated input
- Built-in driver
- PWM input speed control
- High efficiency three-phase brushless DC motor
- Environmentally friendly materials

Advantages:

- High pressure 18.4kpa
- All aluminum material
- High temperature resistance
- Anti-corrosion
- waterproof
- High reliability
- Compact mini
- Low inertia

Applications:

- Vacuum system
- Air cushion machine
- Seafood transporter
- Pressure bed
- Lampblack exhaust system
- 3D Printer
- Medical equipment
- High voltage low noise applications

The TKFAN-BA9080H24B-A blower integrates high energy rare earth magnet technology to significantly improve the torque output efficiency; Frame and impeller are made of high-strength aluminum alloy, both lightweight and structural rigidity, more than 30% weight reduction than traditional steel, reduce the inertia load of equipment; Built-in high reliability ball bearing system, through precision machining and strengthening material technology, can withstand long-term high-speed operation of mechanical stress, extend the life cycle of equipment; With dust-proof and anti-corrosion treatment, to ensure stable operation in dust, wet and other complex environments.

With innovative technology and precision design at its core, TKFAN-BA9080H24B-B blower provides efficient and reliable airflow solutions for industrial and commercial applications. By integrating cutting-edge powertrains and optimized aerodynamics, the product achieves superior performance output in a compact volume, making it ideal for high-density spaces and demanding environments.

1. Technical Data

Electrical	Unit	Value
Dimension	[Mm]	103X86X76
Rated Voltage	[V _{ac}]	24
Voltage Range	[V _{ac}]	18.5 to 26.5
Rated Current	[A]	15.3
Rated Power	[W]	367.2
Rated Speed	[rpm/ms]	48 000
Static Pressure (When Air Flow= 0)	[Pa]	18428
Air Flow (In Free Air)	[l/min]	2049.6

Environmental

Ambient temperature(operating)	[°C]	-40 to 60
Ambient temperature(storage)	[°C]	-40 to 60
Relative humidity(noncondensing)	[% RH]	10 to 85
Waterproof level		IP68
Maximumoxygen concentration	[%]	N/A

Motor

Type		Brushless motor
Winding insulation class		F, 155 °C
NTC type		N/A

Lifetime

L10 at 25 °C ambient temperature	[h]	10000
----------------------------------	-----	-------

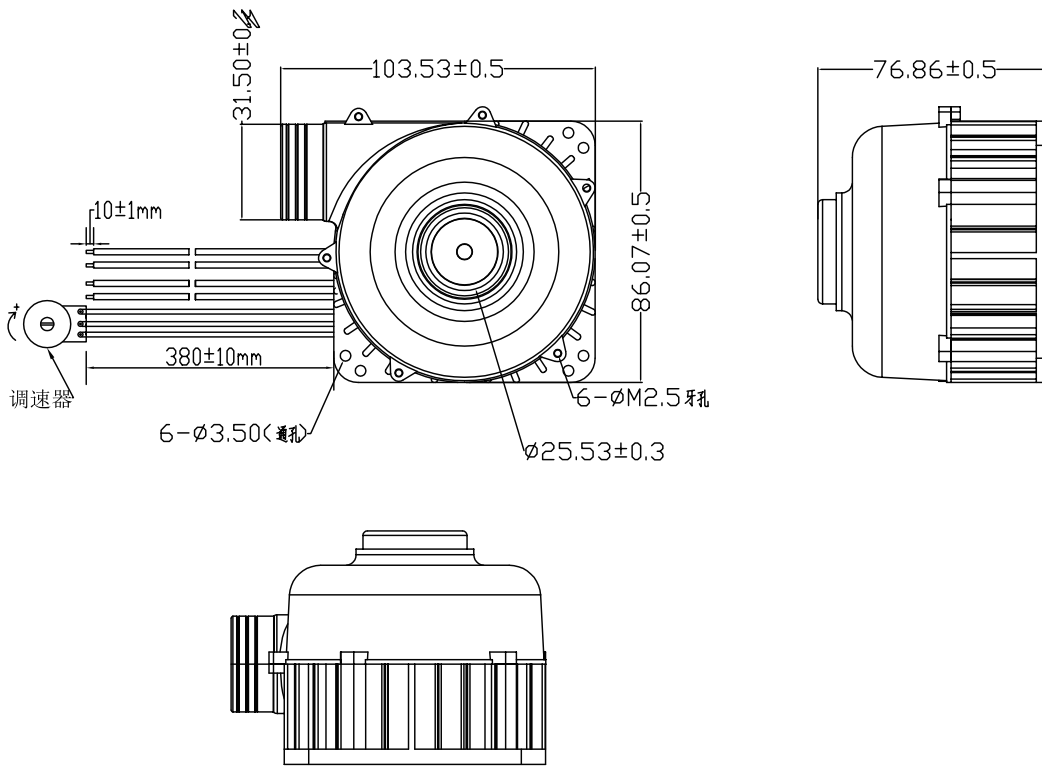
Noise

Sound pressure level	[dB-A]	88.3
----------------------	--------	------

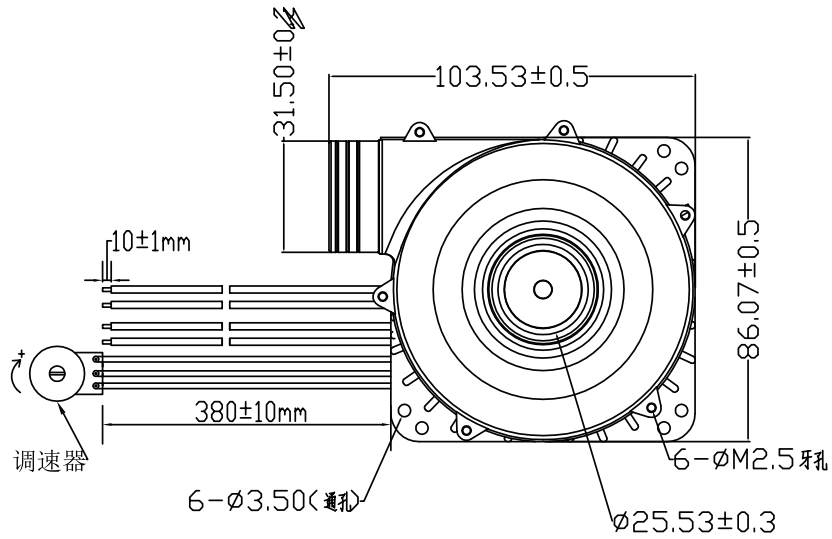
Mechanical

Blower weight	[g]	619
---------------	-----	-----

2. Mechanical Structure Diagram



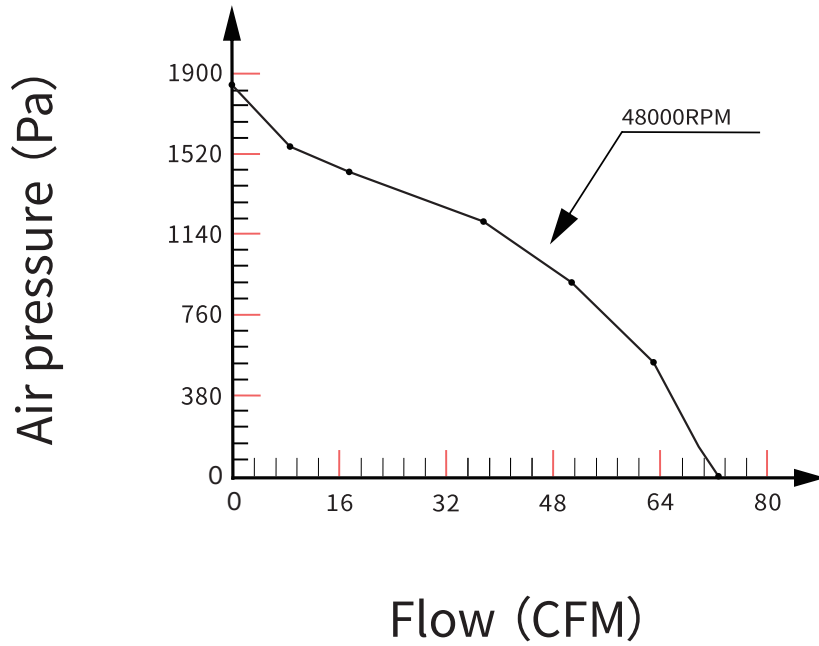
3. Electrical Connection Diagram



Wire model	Wire Number	Colour	Function
UL1007 #26AWG OR	1	Yellow	FG
	2	Blue	PWM
UL1332 #12AWG OR	3	Black	-
	4	Red	+
UL1007 #26AWG OR	5	Black	GND
	6	White	VSP
	7	Red	5V

4. P-Q Data and Curve

5.1 PQ Curve

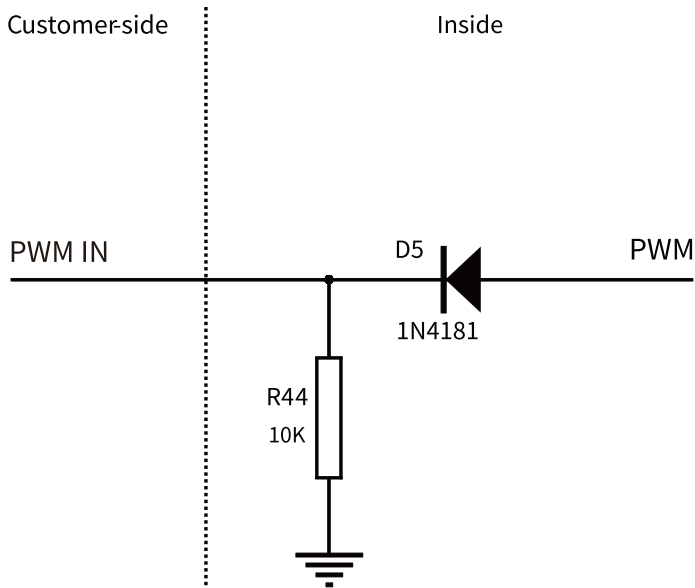


5.2 PQ Data

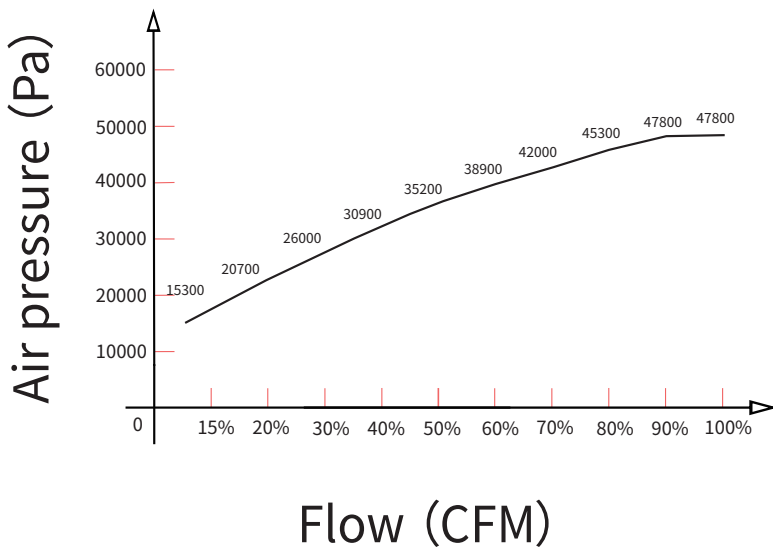
NO.	mmAq	CFM	A	Watt
1	1842.8	0.01		
2	1530.5	8.31		
3	1442.5	17.72		
4	1250.5	37.65		
5	935.75	47.74		
6	540.45	63.45		
7	137.25	69.4		
8	0	72.4		

5. PWM Curve

6.1 PWM Connecting Diagram

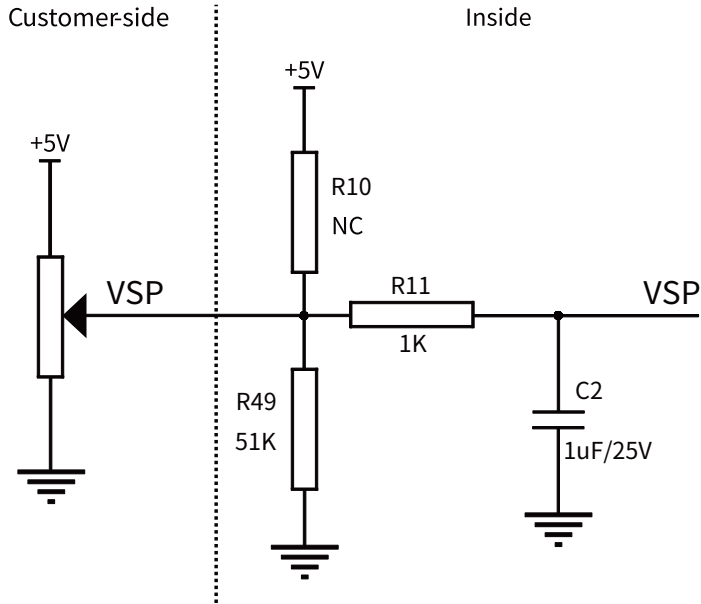


6.2 PWM data curve



6. 0-5V Speed Control

6.1 5V Connetcting Diagram

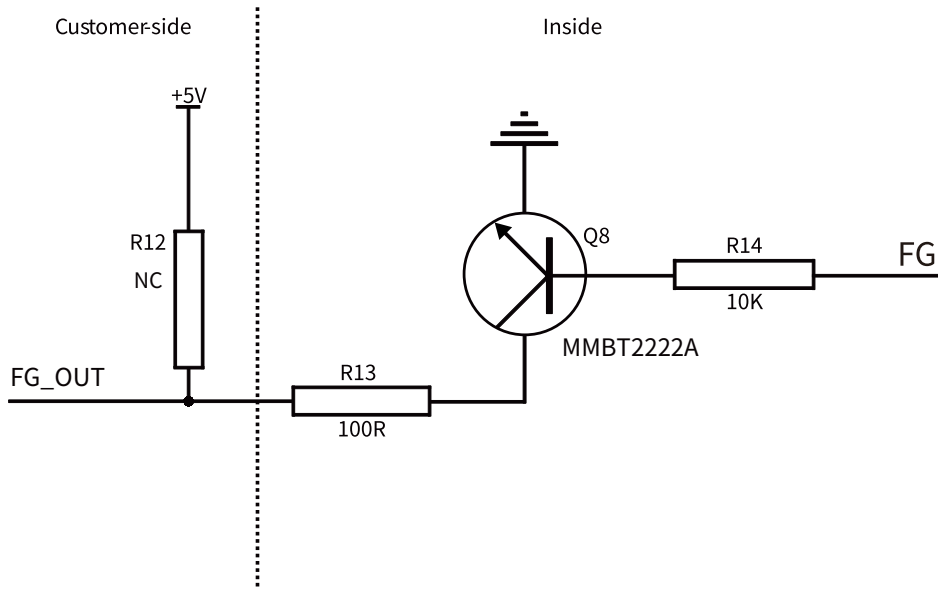


6.2 0-5V data curve

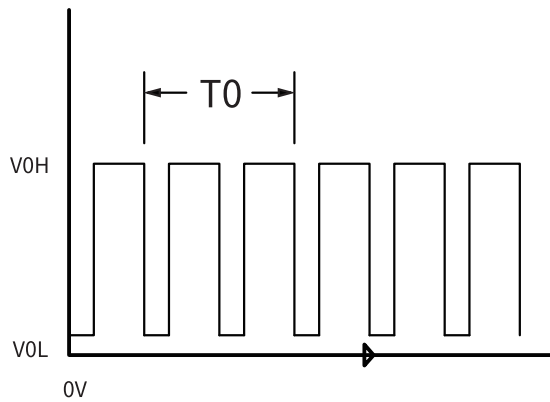
NC

7. FG Speed Feedback Diagram

7.1 Signal output diagram



7.2 Rotational speed frequency



8. Temperature Test Report

Temperature Test Report	
Environment Temperature :	Blower Temperature :
25°	65°

9. Related Products

Model	Dimension	Voltage	RPM	Air Flow	Air Pressure	Watt

TAKE A CLOSER LOOK

TK FAN solutions for a wide variety of applications, including medical, automation, packaging, industrial, aerospace and defense are only a click away. Visit our worldwide web site for more information.

For product information, vis www.tkfan.com

For more information or the office nearest you, contact us online, sales@tenkai-group.com

However, to ensure that you can smoothly find the relevant person in charge and receive timely reception, it is recommended that you make an appointment in advance by phone or email.