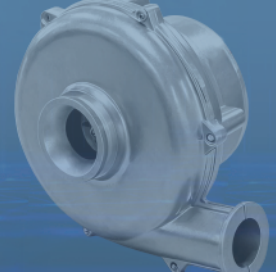


# BA8060-E

BA8060H24B-E-25KPA-Unintergrated



## Features:

- 24 VDC rated input
- An external drive is required
- High efficiency three-phase brushless DC motor
- Environmentally friendly materials

## Advantages:

- High pressure 24190pa
- All aluminum material
- High temperature resistance
- Anti-corrosion
- waterproof
- High reliability
- Compact mini
- Low inertia

## Applications:

- Vacuum system
- Air cushion machine
- Seafood transporter
- Pressure bed
- Lampblack exhaust system
- 3D Printer
- Medical equipment
- High voltage low noise applications

The TKFAN-BA8060B-E-25KPA blower is equipped with a three-phase brushless DC motor and integrates high energy rare earth magnet technology to significantly improve the torque output efficiency; Frame and impeller are made of high-strength aluminum alloy, both lightweight and structural rigidity, more than 30% weight reduction than traditional steel, reduce the inertia load of equipment; Built-in high reliability ball bearing system, through precision machining and strengthening material technology, can withstand long-term high-speed operation of mechanical stress, extend the life cycle of equipment; With dust-proof and anti-corrosion treatment, to ensure stable operation in dust, wet and other complex environments.

With innovative technology and precision design at its core, TKFAN-BA8060B-E-25KPA blower provides efficient and reliable airflow solutions for industrial and commercial applications. By integrating cutting-edge powertrains and optimized aerodynamics, the product achieves superior performance output in a compact volume, making it ideal for high-density Spaces and demanding environments.

## 1 .Technical Data

Electrical	Unit	Value
Dimension	[Mm]	86X82X60
Voltage Range	[V <sub>dc</sub> ]	24
Rated Voltage	[V <sub>dc</sub> ]	19 to 26.5
Rated Current	[A]	11.7
Rated Power	[W]	280.8
Rated Speed	[rpm/ms]	55000
Static Pressure (When Air Flow= 0)	[Pa]	24190
Air Flow (In Free Air)	[l/min]	795.5

## Environmental

Ambient temperature(operating)	[°C]	-40 to 60
Ambient temperature(storage)	[°C]	-40 to 60
Relative humidity(noncondensing)	[% RH]	10 to 85
Waterproof level		IP68
Maximumoxygen concentration	[% ]	N/A

## Motor

Type		Brushless direct current motor
Winding insulation class		F, 155 °C
NTC type		N/A

## Lifetime

L10 at 25 °C ambient temperature	[h]	10000
----------------------------------	-----	-------

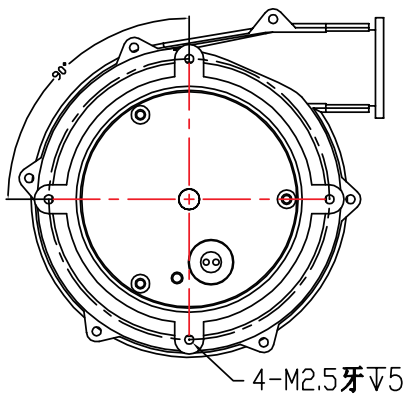
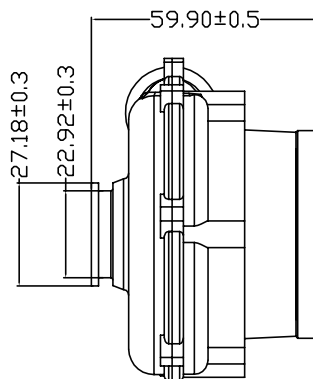
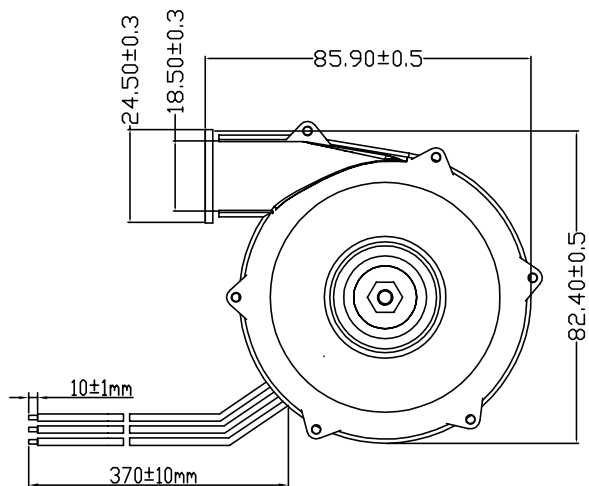
## Noise

Sound pressure level	[dB-A]	92.2
----------------------	--------	------

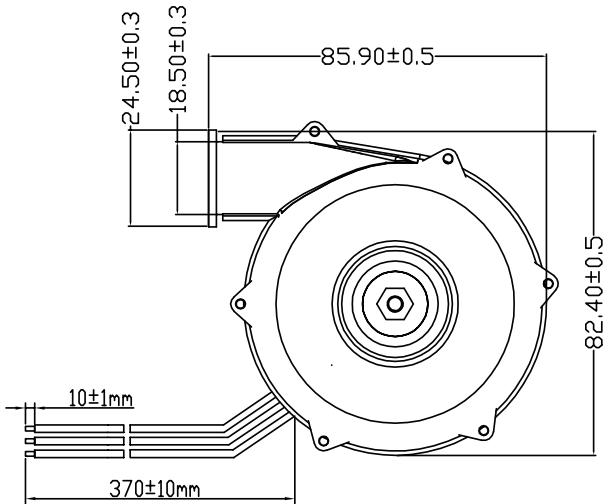
## Mechanical

Blower weight	[g]	408.7
---------------	-----	-------

## 2 .Mechanical Structure Diagram



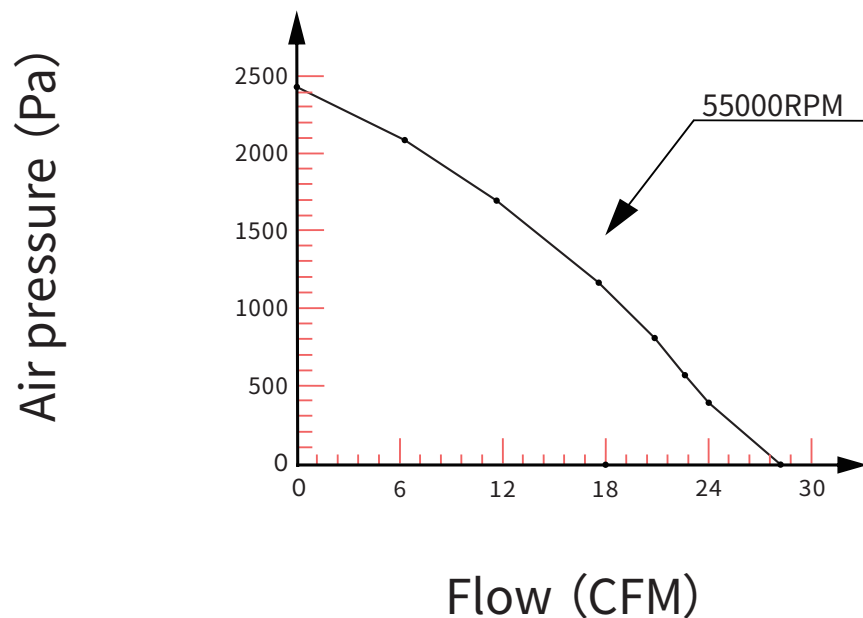
### 3. Electrical Connection Diagram



	Wire Number	Colour	Function
UL1332 #20AWG OR	1	White	U
	2	Black	V
	3	Red	W

## 4 .P-Q Data and Curve

### 4.1 PQ Curve



### 4.2 PQ Data

NO.	mmAq	CFM	A	Watt
1	2419	0	6.27	151.1
2	2085.25	6.21	8.46	203.8
3	1703.75	11.51	9.86	237.7
4	1183.5	17.51	11.01	265.4
5	829	20.76	11.33	272.9
6	590.5	22.57	11.43	275.5
7	421.5	23.93	11.46	276.1
8	0	28.06	11.53	277.8

## 5. PWM Curve

### 5.1 PWM Connecting Diagram

NC

### 5.2 5.2 PWM data curve

NC

## 6. 6. 0-5V Speed Control

### 6.1 5V Connetcting Diagram

NC

### 6.2 6.2 0-5V data curve

NC

## 7 . FG Speed Feedback Diagram

### 7.1 Signal output diagram

NC

### 7.2 Rotational speed frequency

NC

## 8. Temperature Test Report

NC

## 9. Related Products

Model	Dimension	Voltage	RPM	Air Flow	Air Pressure	Watt

# TAKE A CLOSER LOOK

TK FAN solutions for a wide variety of applications, including medical, automation, packaging, industrial, aerospace and defense are only a click away. Visit our worldwide web site for more information.

For product information, vis [www.tkfan.com](http://www.tkfan.com)

For more information or the office nearest you, contact us online, [sales@tenkai-group.com](mailto:sales@tenkai-group.com)

However, to ensure that you can smoothly find the relevant person in charge and receive timely reception, it is recommended that you make an appointment in advance by phone or email.