

BA8060-B

BA8060H24B-B-Unintergrated



Features:

- 24 VDC rated input
- An external drive is required
- PWM input speed control
- High efficiency three-phase brushless DC motor
- Environmentally friendly materials

Advantages:

- High pressure 18.6kpa
- All aluminum material
- High temperature resistance
- Anti-corrosion
- waterproof
- High reliability
- Compact mini
- Low inertia

Applications:

- Vacuum system
- Air cushion machine
- Seafood transporter
- Pressure bed
- Lampblack exhaust system
- 3D Printer
- Medical equipment
- High voltage low noise applications

The TKFAN-BA8060-B blower is equipped with a three-phase brushless DC motor and integrates high energy rare earth magnet technology to significantly improve the torque output efficiency; Frame and impeller are made of high-strength aluminum alloy, both lightweight and structural rigidity, more than 30% weight reduction than traditional steel, reduce the inertia load of equipment; Built-in high reliability ball bearing system, through precision machining and strengthening material technology, can withstand long-term high-speed operation of mechanical stress, extend the life cycle of equipment; With dust-proof and anti-corrosion treatment, to ensure stable operation in dust, wet and other complex environments.

With innovative technology and precision design at its core, TKFAN-BA8060-B blower provides efficient and reliable airflow solutions for industrial and commercial applications. By integrating cutting-edge powertrains and optimized aerodynamics, the product achieves superior performance output in a compact volume, making it ideal for high-density Spaces and demanding environments.

1 .Technical Data

Electrical	Unit	Value
Dimension	[Mm]	96.8X93.6X72.2
Voltage Range	[V _{dc}]	24
Rated Voltage	[V _{dc}]	18 to 26
Rated Current	[A]	9
Rated Power	[W]	216
Rated Speed	[rpm/ms]	52 000
Static Pressure (When Air Flow= 0)	[Pa]	18600
Air Flow (In Free Air)	[l/min]	956

Environmental

Ambient temperature(operating)	[°C]	-40 to 60
Ambient temperature(storage)	[°C]	-40 to 60
Relative humidity(noncondensing)	[% RH]	10 to 85
Waterproof level		IP68
Maximumoxygen concentration	[%]	N/A

Motor

Type		Brushless direct current motor
Winding insulation class		F, 155 °C
NTC type		N/A

Lifetime

L10 at 25 °C ambient temperature	[h]	10000
----------------------------------	-----	-------

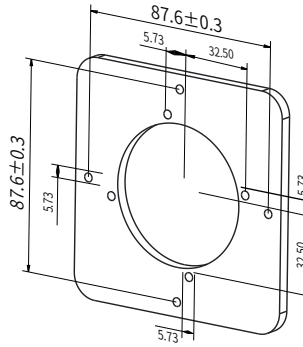
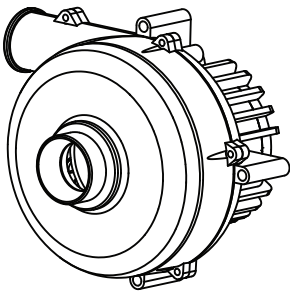
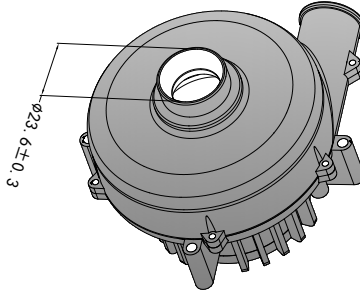
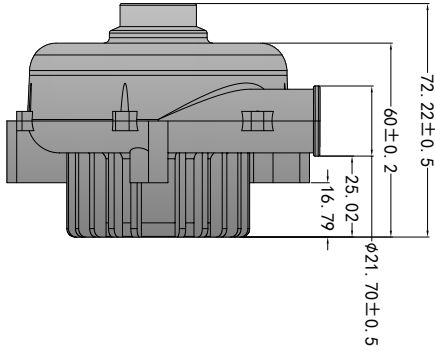
Noise

Sound pressure level	[dB-A]	78.9
----------------------	--------	------

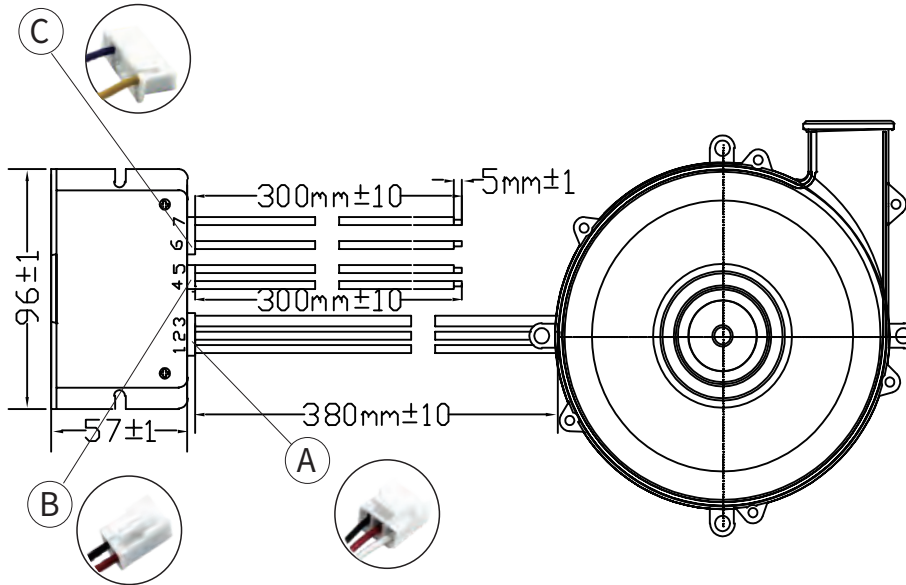
Mechanical

Blower weight	[g]	490
---------------	-----	-----

2 .Mechanical Structure Diagram



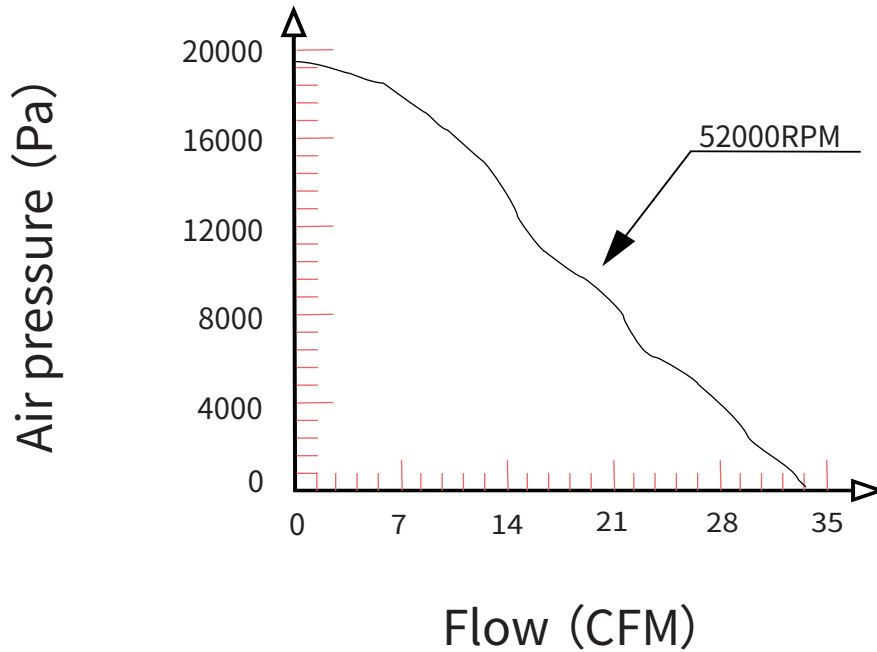
3. Electrical Connection Diagram



Connector	Pin Number	Colour	Function
A VH3.96-3P	1	Black	U
	2	Red	V
	3	White	W
B VH3.96-2P	4	Black	-
	5	Red	+
C 2.54-6P	6	Blue	PWM/0-5 VDC
	7	Yellow	FG

4 .P-Q Data and Curve

4.1 PQ Curve

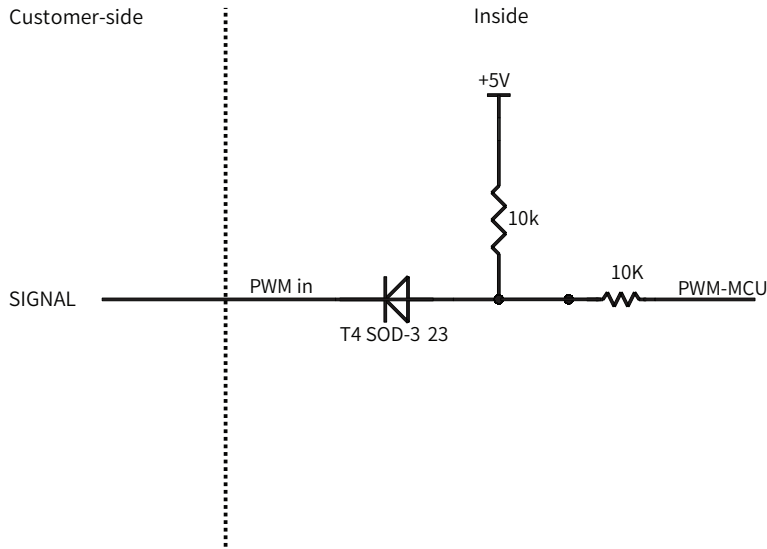


4.2 PQ Data

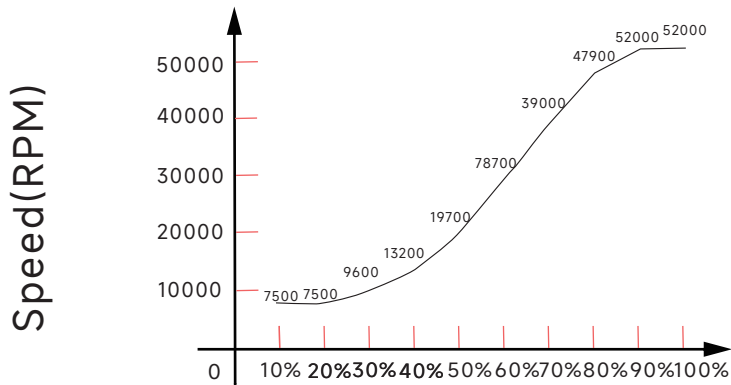
NO.	mmAq	CFM	A	Watt
1	1859.25	0.01	5.43	130.8
2	1795.25	6.54	8.54	205.8
3	1572.5	11.13	9.2	221.6
4	1152.25	16.42	9.07	218.6
5	895.25	20.34	9.03	217.7
6	691.5	22.97	9.06	218.3
7	560.5	25.32	9.05	218.2
8	0	33.83	8.97	216.2

5. PWM Curve

5.1 PWM Connecting Diagram



5.2 5.2 PWM data curve



6. 6. 0-5V Speed Control

6.1 5V Connetcting Diagram

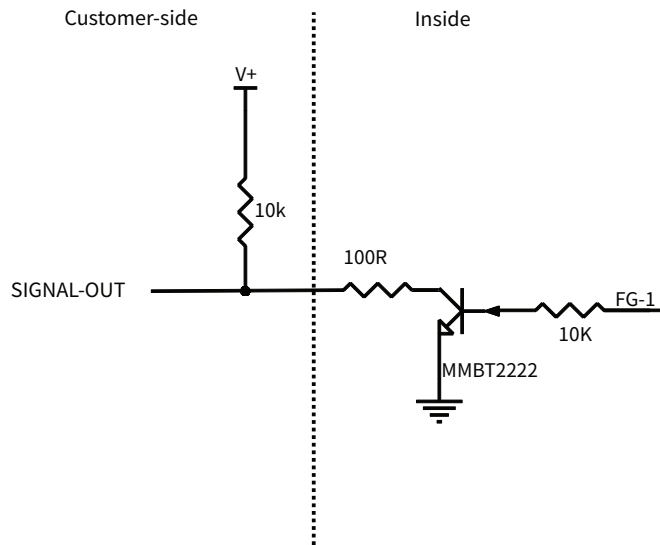
NC

6.2 6.2 0-5V data curve

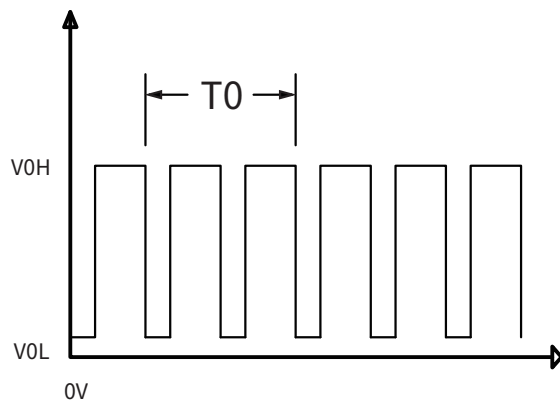
NC

7 . FG Speed Feedback Diagram

7.1 Signal output diagram



7.2 Rotational speed frequency



8. Temperature Test Report

Temperature test report 温度测试报告									
环境温度 envirment temperature	测试时间 Test Time	4mm outlet出风口		6mm outlet出风口		8mm outlet出风口		outlet 敞开出风口	
		温升 Temperature increase	电流 Current	温升 Temperature increase	电流 Current	温升 Temperature increase	电流 Current	温升 Temperature increase	电流 Current
23°C	10 min.							62.7°C	9.8A
	20 min.							63.1°C	10A
	30 min.	87.7°C	7A					64.2°C	10.2A
	40 min.							64.4°C	10.2A
	50 min.							64.4°C	10.2A
	60 min.	86.8°C	6.9A					64.5°C	10.2A
30°C	10 min.	93.3°C	7A						
	20 min.	93.2°C	7A						
	30 min.	93.1°C	7A						
40°C	10 min.	101.4°C	7A	94.4°C	7.5A	84.9°C	9.2A		
	20 min.	102.7°C	7A	97.8°C	7.5A	85.1°C	9.2A		
	30 min.			97.7°C	7.5A	85.1°C	9.2A		
	60 min.							71.8°C	10.6A
50°C	10 min.			107.1°C	7.6A	95.3°C	9.3A	81.8°C	10.6A
	20 min.			107.4°C	7.6A	96.3°C	9.3A	81.9°C	10.6A
	30 min.			107.7°C	7.6A	96.6°C	9.3A	82°C	10.6A
	60 min.							82°C	10.6A
60°C	10 min.					106.5°C	9.3A	94.4°C	10.5A
	20 min.							94.8°C	10.5A
	30 min.							95°C	10.5A

9. Related Products

Model	Dimension	Voltage	RPM	Air Flow	Air Pressure	Watt

TAKE A CLOSER LOOK

TK FAN solutions for a wide variety of applications, including medical, automation, packaging, industrial, aerospace and defense are only a click away. Visit our worldwide web site for more information.

For product information, vis www.tkfan.com

For more information or the office nearest you, contact us online, sales@tenkai-group.com

However, to ensure that you can smoothly find the relevant person in charge and receive timely reception, it is recommended that you make an appointment in advance by phone or email.