

BA7050-C

BA7050H12B-C-Unintegrated



Features:

- 12 VDC rated input
- Built-in integrated driver PCB
- High efficiency three-phase brushless DC motor
- Environmentally friendly materials

Advantages:

- High pressure 7.9kpa
- The aluminum base has fast heat dissipation
- High efficiency
- Dust-proof
- High reliability
- Compact mini
- Low inertia

Applications:

- Vacuum system
- Air cushion machine
- Automobile camera
- Pressure bed
- Lampblack exhaust system
- 3D Printer
- Medical equipment
- High voltage low noise applications



The TKFAN-BA7050-C This miniature high-pressure high-speed blower is designed with a direct current voltage system and is easy to operate. Its innovative cavity structure physically isolates the airflow channel from the motor, effectively preventing water vapor and dust from entering.

This design ensures the stable operation of the motor even in harsh environments.

The equipment has a compact structure but can output strong air pressure and can flexibly adjust its performance, easily meeting the installation requirements of small spaces and widely used in medical equipment, electronic cooling and industrial equipment fields, providing long-lasting and reliable power support for them.

Welcome to consult at any time to obtain exclusive technical support and cooperation plans!

1. Technical Data

Electrical	Unit	Value
Dimension	[Mm]	52X52X42
Rated Voltage	[V _{ac}]	12
Voltage Range	[V _{ac}]	9 to 13.5
Rated Current	[A]	5.7
Rated Power	[W]	68.4
Rated Speed	[rpm/min]	40000
Static Pressure (When Air Flow= 0)	[Pa]	7905
Air Flow (In Free Air)	[l/min]	438.8

Environmental

Ambient temperature(operating)	[°C]	-40 to 85
Ambient temperature(storage)	[°C]	-40 to 85
Relative humidity(noncondensing)	[% RH]	10 to 85
Waterproof level		N/A
Maximumoxygen concentration	[%]	N/A

Motor

Type		Brushless motor
Winding insulation class		F, 155 °C
NTC type		N/A

Lifetime

L10 at 25 °C ambient temperature	[h]	10000
----------------------------------	-----	-------

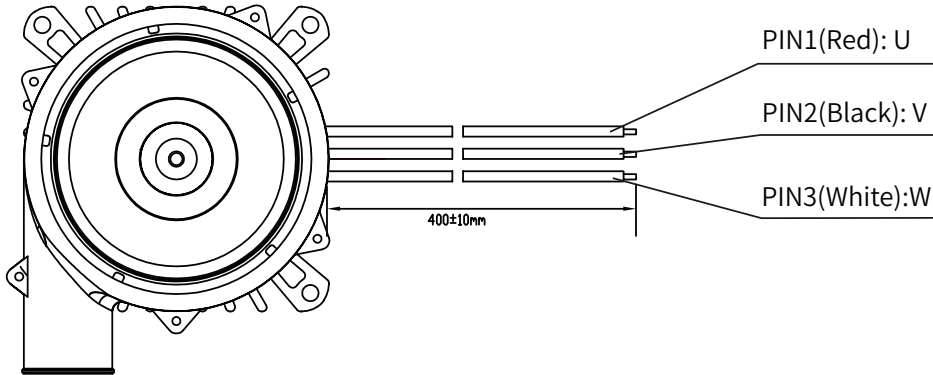
Noise

Sound pressure level	[dB-A]	73.8
----------------------	--------	------

Mechanical

Blower weight	[g]	155
---------------	-----	-----

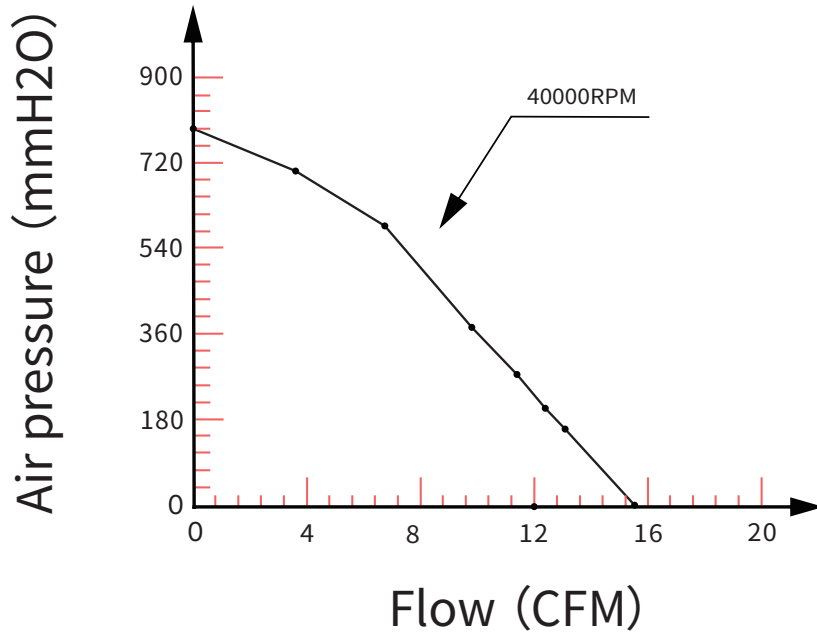
3. Electrical Connection Diagram



	Wire Number	Colour	Function
UL1332 #20AWG OR	1	Red	U
	2	Black	V
	3	White	W

4. P-Q Data and Curve

4.1 PQ Curve



4.2 PQ Data

NO.	mmAq	CFM	A	Watt
1	790.5	0.01	2.13	25.8
2	706.5	3.53	3.33	40.3
3	587	6.67	4.21	50.9
4	374	9.75	4.88	59
5	274.75	11.32	5.16	62.4
6	201.75	12.32	5.3	64.1
7	158	12.99	5.38	65.1
8	0	15.45	5.61	67.9

5. PWM Curve

5.1 PWM Connecting Diagram

NC

5.2 PWM data curve

NC

6. 0-5V Speed Control

6.1 5V Connetcting Diagram

NC

6.2 0-5V data curve

NC

7. FG Speed Feedback Diagram

7.1 Signal output diagram

NC

7.2 Rotational speed frequency

NC

8. Temperature Test Report

Temperature Test Report	
Environment Temperature :	Motor Temperature :
28°	73°

9. Related Products

Model	Dimension	Voltage	RPM	Air Flow	Air Pressure	Watt

TAKE A CLOSER LOOK

TK FAN solutions for a wide variety of applications, including medical, automation, packaging, industrial, aerospace and defense are only a click away. Visit our worldwide web site for more information.

For product information, vis www.tkfan.com

For more information or the office nearest you, contact us online, sales@tenkai-group.com

However, to ensure that you can smoothly find the relevant person in charge and receive timely reception, it is recommended that you make an appointment in advance by phone or email.