



TKFAN®

C  CE RoHS

产品目录

深圳市腾凯特种机电有限公司

地址：深圳市龙华区观澜街道环观南路
105号金雄达科技园C栋五楼

邮编: 518110

邮箱: sales@tenkai-group.com

电话: 0086-0755-23126453

CATALOG

SHENZHEN TENKAI GROUP LIMITED

Add: Floor 5, Building C, Jinxiongda
industry park, guanlan street, Shenzhen
City. P. R. CHINA

Post Code: 518110

Email: sales@tenkai-group.com

Phone: 0086-0755-23126453



TKFAN®

UL US CE RoHS

BLDC- 52 Ø28x45mm Type

版次 Version 2025-6-26

应用：

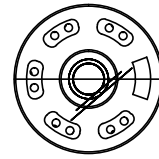
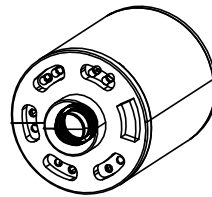
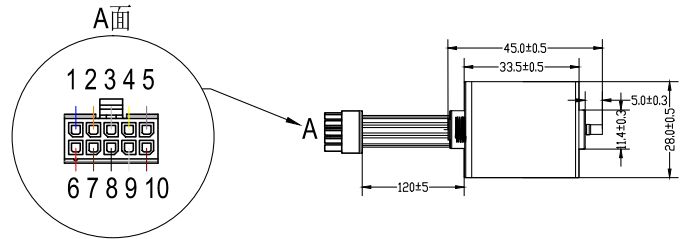
Application:



THE PICTURES



DIMENSIONS DRAWING(unit:mm)



UNIT: $\frac{mm}{(INCH)}$

编码规则 Code Rule

例子 Example DCH12038H12B-A1701
DCH12038H12X-AY

Model No. is DCH12038H12X; Extro P/N code is AY

X means bearing type, can be S(sleeve bearing), can be B(ball bearing), can be Y(HY bearing), can be SU(sleeve with UL), can be BU(ball with UL), can be YU(HY with UL)

Y means special function code, it will be used for a certain parts no. or client.

产品型号 DCH12038H12X;附加代码 AY. X是一个不确定值,它代表了不同的轴承类型,

S(含油轴承),B(滚珠轴承),Y(液压轴承),SU(含油轴承带UL),BU(滚珠轴承带UL),YU(液压轴承带UL)

Y是一个不确定的值,它代表不同特殊风机功能,由具体客户或者料号来确定

Model	P/N Code Model	Rated Voltage	Operating Voltage Range	Rated Current	Rated Power	Speed	Coil Resistance	Coil Inductance	Weight
型号	P/N 附加码	额定电压	工作电压范围	额定电流	额定功率	转速	线圈阻抗	线圈感抗	重量
PART.NO.	AY	VDC	VDC	Amp	Watt	R.P.M	Ω	mH	g
BLDC-52		24	18~26.5	0.35	8.4	120000	1.55	0.08	90



TKFAN[®]

UL[®] US CE RoHS

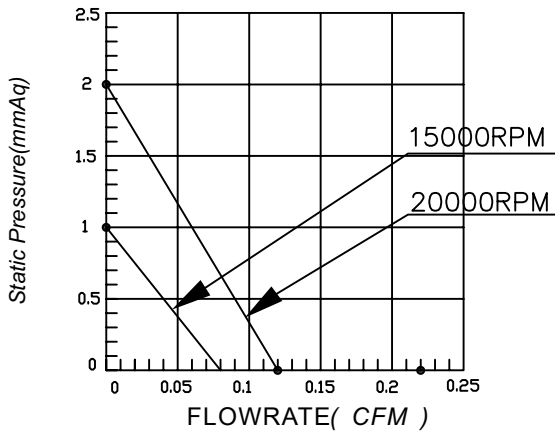
DC Brushless FAN 15x15x4mm-A Type

版次Version 2021-12-27

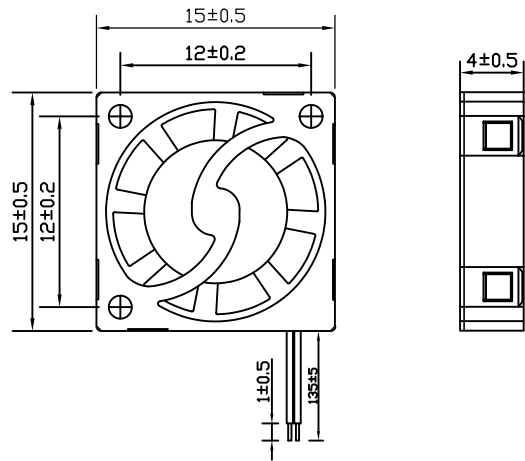
轴承结构：含油、液压、其他
 Bearing: sleeve、HY、other
 框外材质：塑胶(等级:UL94V-0)
 Frame:Plastic(Flammability:UL94V-0)
 扇叶材质:塑胶:(等级:UL94V-0)
 Impeller:Plastic:(Flammability:UL94V-0)
 风扇单重:g(Weight:g)



P@Q CURVE(AT RATEDVOLTAGE)



DIMENSIONS DRAWING(unit:mm)



编码规则 Code Rule

例子 Example DCH12038H12B-DAH1701
 DCH12038H12X-AY

Model No. is DCH12038H12X; Extro P/N code is AY

X means bearing type, can be S(sleeve bearing), can be B(ball bearing), can be Y(HY bearing), can be SU(sleeve with UL), can be BU(ball with UL), can be YU(HY with UL)

Y means special function code, it will be used for a certain parts no. or client.

产品型号 DCH12038H12X;附加代码 AY. X是一个不确定值,它代表了不同的轴承类型,

S(含油轴承),B(滚珠轴承),Y(液压轴承),SU(含油轴承带UL),BU(滚珠轴承带UL),YU(液压轴承带UL)

Y是一个不确定的值,它代表不同特殊风机功能,由具体客户或者料号来确定

Model	P/N Code	Rated Voltage	Operatong Voltage Range	Rated Current	Rated Input Power	Speed	Maximum Air Flow		Maximum Air Pressure		Noise
型号	P/N 附加码	额定电压	工作电压范围	额定电流	额定输入功率	转速	最大风量		最大风压		噪音
PART.NO.	AY	VDC	VDC	Amp	Watt	R.P.M	M³/min	CFM	mmH2O	InH2O	dBA
DA1504L33X		3.3	2~6	0.02	0.066	15000	0.002	0.08	1.00	0.04	24.7
DA1504L05X		5	2~6	0.03	0.150	20000	0.003	0.12	2.00	0.08	32.2



TKFAN®

UL US CE RoHS

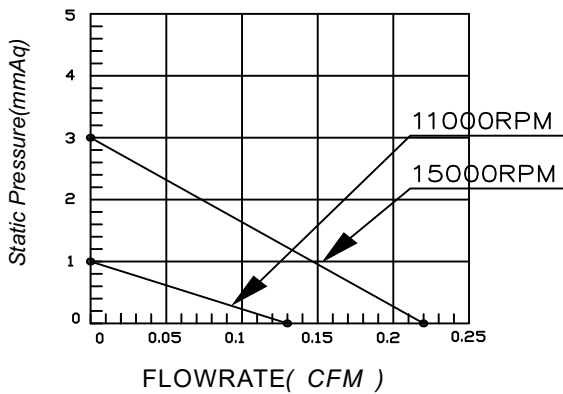
DC Brushless FAN 18x18x4mm-A Type

版次Version 2021-12-10

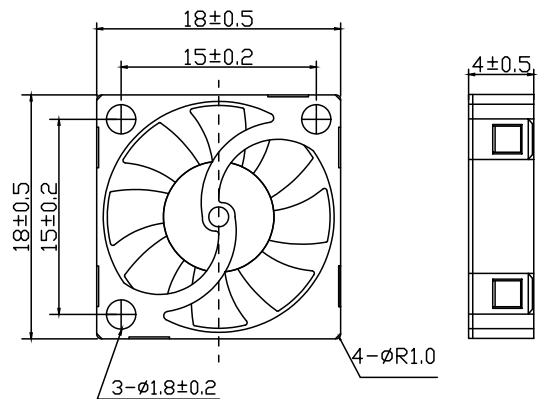
轴承结构：含油、液压、其他
 Bearing: sleeve、HY、other
 框外材质：塑胶(等级:UL94V-0)
 Frame:Plastic(Flammability:UL94V-0)
 扇叶材质:塑胶:(等级:UL94V-0)
 Impeller:Plastic:(Flammability:UL94V-0)
 风扇单重:g(Weight:g)



P@Q CURVE(AT RATEDVOLTAGE)



DIMENSIONS DRAWING(unit:mm)



编码规则 Code Rule

例子 Example DCH12038H12B-DAH1701
 DCH12038H12X-AY

Model No. is DCH12038H12X; Extro P/N code is AY

X means bearing type, can be S(sleeve bearing), can be B(ball bearing), can be Y(HY bearing), can be SU(sleeve with UL), can be BU(ball with UL), can be YU(HY with UL)

Y means special function code, it will be used for a certain parts no. or client.

产品型号 DCH12038H12X;附加代码 AY. X是一个不确定值,它代表了不同的轴承类型,

S(含油轴承),B(滚珠轴承),Y(液压轴承),SU(含油轴承带UL),BU(滚珠轴承带UL),YU(液压轴承带UL)

Y是一个不确定的值,它代表不同特殊风机功能,由具体客户或者料号来确定

Model	P/N Code	Rated Voltage	Operationg Voltage Range	Rated Current	Rated Input Power	Speed	Maximum Air Flow		Maximum Air Pressure		Noise
型号	P/N 附加码	额定电压	工作电压范围	额定电流	额定输入功率	转速	最大风量		最大风压		噪音
PART.NO.	AY	VDC	VDC	Amp	Watt	R.P.M	M³/min	CFM	mmH2O	InH2O	dB-A
DA1804L33X		3.3	2~6	0.022	0.066	11000	0.0037	0.13	1.00	0.04	23.4
DA1804L05X		5	4~6	0.033	0.13	15000	0.0062	0.22	3.00	0.12	31.6



TKFAN®

ML

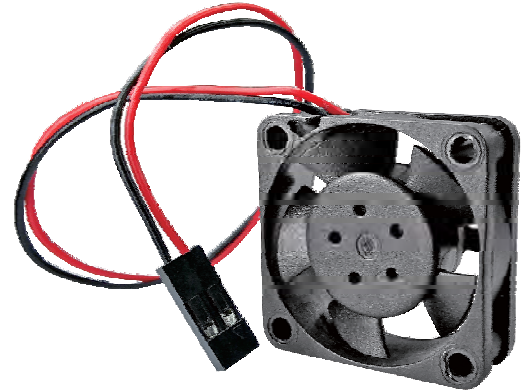
UL US CE RoHS

DC Brushless Fan 30x30x10mm-E Type

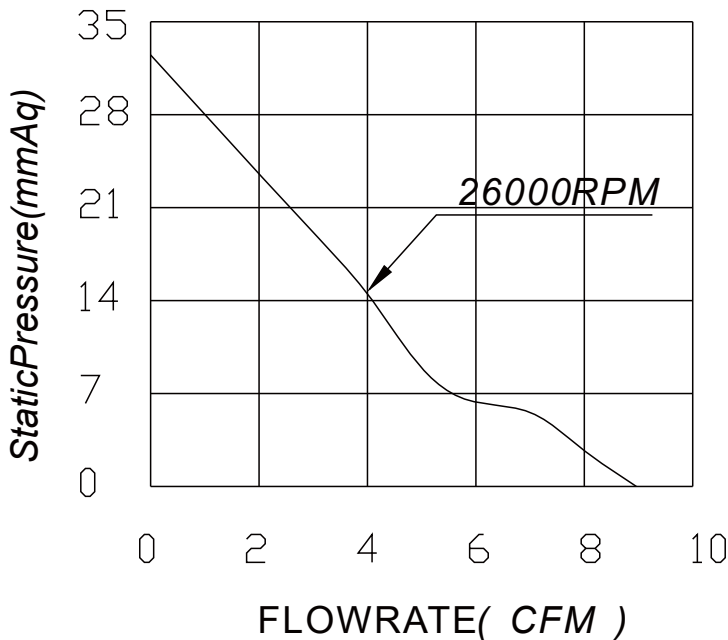
版次Version 2020-11-6

应用：
遥控车散热系统

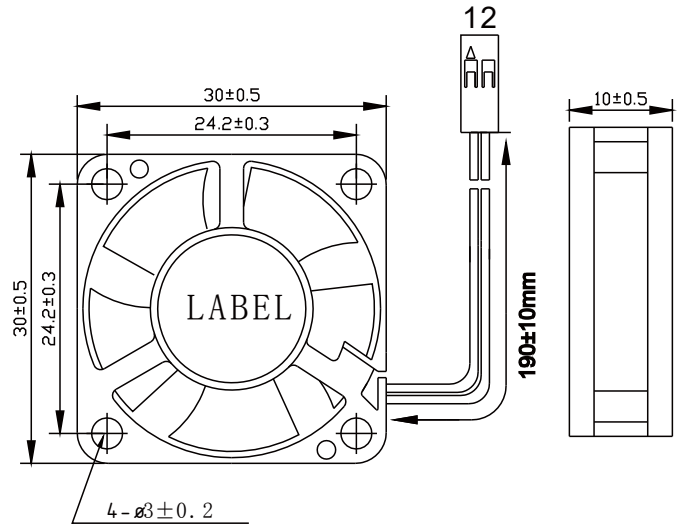
Application:
RC CAR



P@Q CURVE(AT RATEDVOLTAGE)



DIMENSIONS DRAWING(unit:mm)



LEAD WIRE
UL 1061#26AWG OR EQUIVALENT
PIN1: RED WIRE---(+)
PIN2: BLACK WIRE---(-)

编码规则 Code Rule

例子 Example DCH12038H12B-A1701
DCH12038H12X-AY

Model No. is DCH12038H12X; Extro P/N code is AY

X means bearing type, can be S(sleeve bearing), can be B(ball bearing), can be Y(HY bearing), can be SU(sleeve with UL), can be BU(ball with UL), can be YU(HY with UL)

Y means special function code, it will be used for a certain parts no. or client.

产品型号 DCH12038H12X;附加代码 AY. X是一个不确定值,它代表了不同的轴承类型,

S(含油轴承),B(滚珠轴承),Y(液压轴承),SU(含油轴承带UL),BU(滚珠轴承带UL),YU(液压轴承带UL)

Y是一个不确定的值,它代表不同特殊风机功能,由具体客户或者料号来确定

Model	P/N Code	Rated Voltage	Operating Voltage Range	Rated Current	Rated Input Power	Speed	Maximum Air Flow		Maximum Air Pressure		Noise
型号	P/N 附加码	额定电压	工作电压范围	额定电流	额定输入功率	转速	最大风量		最大风压		噪音
PART.NO.	EY	VDC	VDC	Amp	Watt	R.P.M	M ³ /min	CFM	mmH2O	InH2O	dB-A
DA3010H12B		8.4	6.5~9.0	0.70	5.88	26000	0.254	8.96	32.50	1.280	51.0



TKFAN®

UL US CE RoHS

DC Brushless FAN Ø30x36mm-A Type

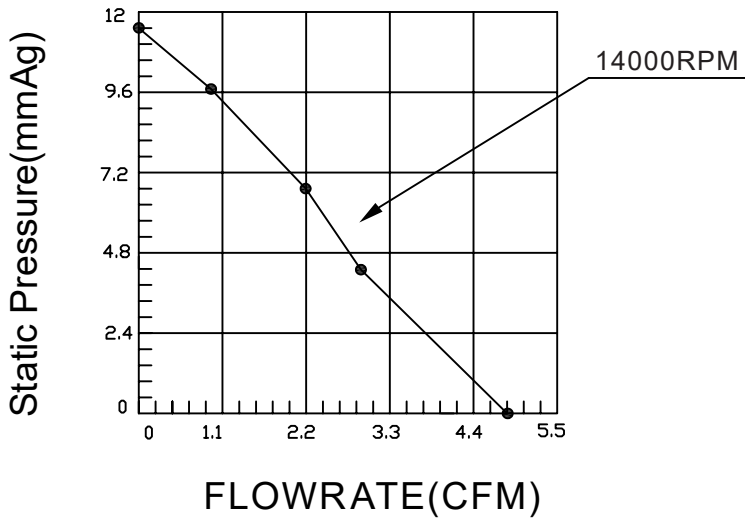
版次Version 2022-3-23

应用：

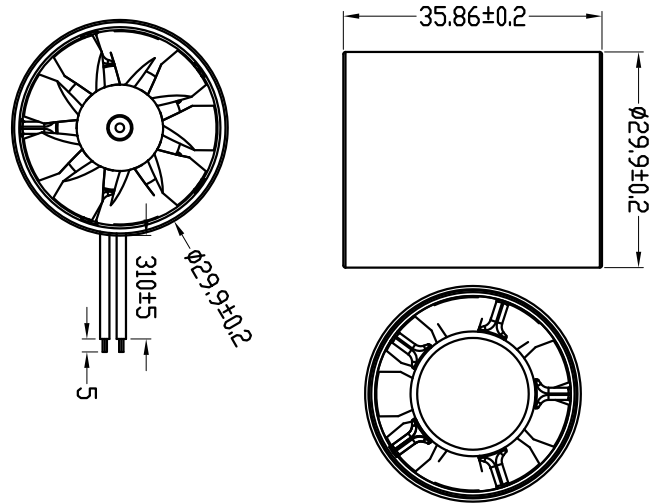
Application:



P@Q CURVE(AT RATEDVOLTAGE)



DIMENSIONS DRAWING(unit:mm)



编码规则 Code Rule

例子 Example DCH12038H12B-A1701
DCH12038H12X-AY

Model No. is DCH12038H12X; Extro P/N code is AY
 X means bearing type, can be S(sleeve bearing), can be B(ball bearing), can be Y(HY bearing), can be SU(sleeve with UL), can be BU(ball with UL), can be YU(HY with UL)
 Y means special function code, it will be used for a certain parts no. or client.
 产品型号 DCH12038H12X;附加代码AY. X是一个不确定值,它代表了不同的轴承类型,
 S(含油轴承),B(滚珠轴承),Y(液压轴承),SU(含油轴承带UL),BU(滚珠轴承带UL),YU(液压轴承带UL)
 Y是一个不确定的值,它代表不同特殊风机功能,由具体客户或者料号来确定

Model	P/N Code	Rated Voltage	Operating Voltage Range	Rated Current	Rated Input Power	Speed	Maximum Air Flow		Maximum Air Pressure		Noise
型号	P/N 附加码	额定电压	工作电压范围	额定电流	额定输入功率	转速	最大风量		最大风压		噪音
PART.NO.	AY	VDC	VDC	Amp	Watt	R.P.M	M³/min	CFM	mmH2O	InH2O	dBA
DA3036H05B			6	1~6.5	0.07	0.42	14000	0.14	4.80	11.40	0.45



TKFAN®

UL US CE RoHS

DC Brushless FAN 40x40x28mm-DType

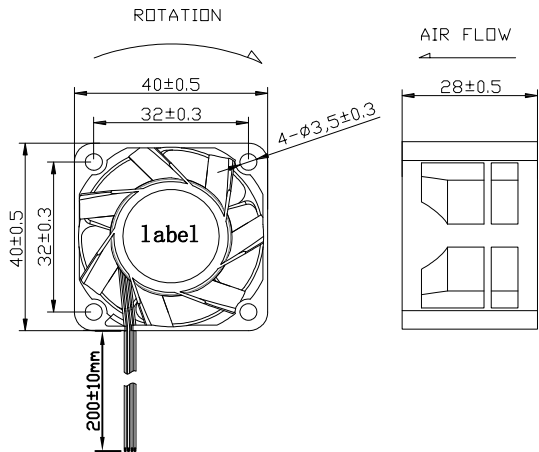
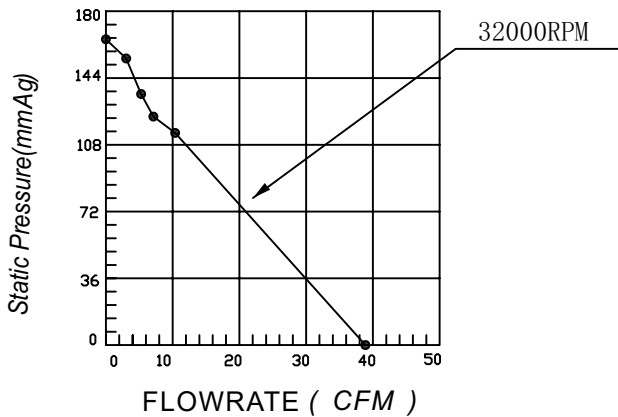
版次 Version 2022-8-13



- 轴承结构：双滚珠
- Bearing: two ball
- 框外材质: 塑料(等级:UL94V-0)
- Frame:Plastic(Flammability:UL94V-0)
- 扇叶材质:塑胶:(等级:UL94V-0)
- Impeller:Plastic:(Flammability:UL94V-0)
- 风扇单重:49g(Weight:49g)

P@Q CURVE(AT RATEDVOLTAGE)

DIMENSIONS DRAWING(unit:mm)



编码规则 Code Rule

例子 Example DCH12038H12B-DAH1701
DCH12038H12X-AY

Model No. is DCH12038H12X; Extro P/N code is AY
 X means bearing type, can be S(sleeve bearing), can be B(ball bearing), can be Y(HY bearing), can be SU(sleeve with UL), can be BU(ball with UL), can be YU(HY with UL)
 Y means special function code, it will be used for a certain parts no. or client.
 产品型号 DCH12038H12X;附加代码 AY. X是一个不确定值,它代表了不同的轴承类型,
 S(含油轴承),B(滚珠轴承),Y(液压轴承),SU(含油轴承带UL),BU(滚珠轴承带UL),YU(液压轴承带UL)
 Y是一个不确定的值,它代表不同特殊风机功能,由具体客户或者料号来确定

Model	P/N Code	Rated Voltage	Operating Voltage Range	Rated Current	Rated Input Power	Speed	Maximum Air Flow		Maximum Air Pressure		Noise
型号	P/N 附加码	额定电压	工作电压范围	额定电流	额定输入功率	转速	最大风量		最大风压		噪音
PART.NO.	DY	VDC	VDC	Amp	Watt	R.P.M	M³/min	CFM	mmH2O	InH2O	dB-A
DA4028VH12X		12	7.5~13.5	2.8	33.6	32000	1.09	38.5	163.5	6.44	72.2
DA4028VH24X		24	18~26.5	1.4	33.6	32000	1.09	38.5	163.5	6.44	72.2



TKFAN®

UL US CE RoHS

DC Brushless FAN ø92x38mm-E Type

版次Version 2019-12-17

轴承结构：双滚珠

Bearing: two ball

框外材质: 塑胶(等级:UL94V-0)

Frame:Plastic(Flammability:UL94V-0)

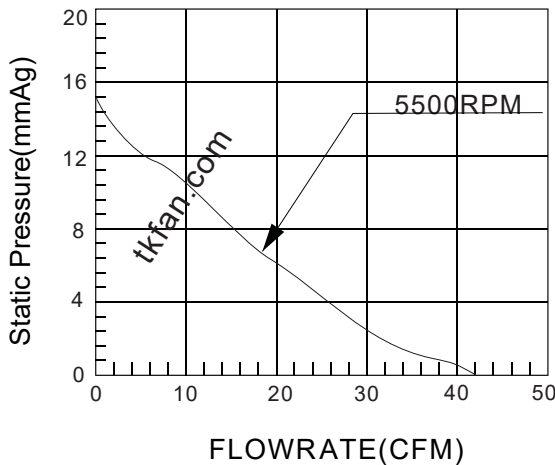
扇叶材质:塑胶:(等级:UL94V-0)

Impeller:Plastic:(Flammability:UL94V-0)

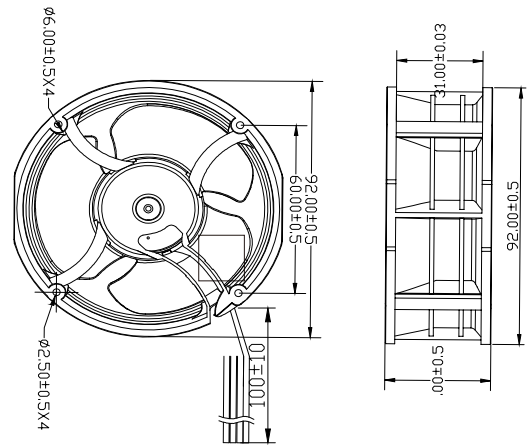
风扇单重:131g(Weight:131g)



P@Q CURVE(AT RATEDVOLTAGE)



DIMENSIONS DRAWING(unit:mm)



编码规则 Code Rule

例子 Example DCH12038H12B-DAH1701
DCH12038H12X-AY

Model No. is DCH12038H12X; Extro P/N code is AY

X means bearing type, can be S(sleeve bearing), can be B(ball bearing), can be Y(HY bearing), can be SU(sleeve with UL), can be BU(ball with UL), can be YU(HY with UL)

Y means special function code, it will be used for a certain parts no. or client.

产品型号 DCH12038H12X;附加代码 AY. X是一个不确定值,它代表了不同的轴承类型,

S(含油轴承),B(滚珠轴承),Y(液压轴承),SU(含油轴承带UL),BU(滚珠轴承带UL),YU(液压轴承带UL)

Y是一个不确定的值,它代表不同特殊风机功能,由具体客户或者料号来确定

Model	P/N Code	Rated Voltage	Operationg Voltage Range	Rated Current	Rated Input Power	Speed	Maximum Air Flow		Maximum Air Pressure		Noise
型号	P/N 附加码	额定电压	工作电压范围	额定电流	额定输入功率	转速	最大风量		最大风压		噪音
PART.NO.	EY	VDC	VDC	Amp	Watt	R.P.M	M³/min	CFM	mmH2O	InH2O	dB-A
DA9238H12X		12	7.5~13.5	0.17	2.0	5500	1.2	42.4	15	0.591	43
DAH9238H24X		24	18~26.5	0.09	2.2	5500	1.2	42.4	15	0.591	43



TKFAN®

DT
C US RoHS

DC Brushless FAN 120x120x25mm-E Type

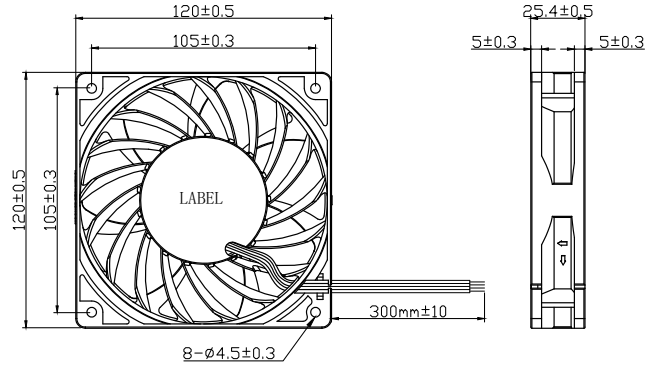
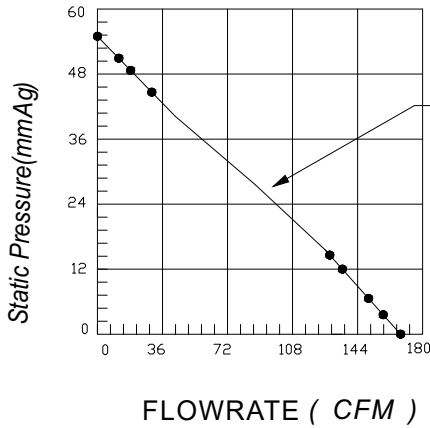
版次 Version 2023-8-14

轴承结构：双滚珠
Bearing: Two ball
框外材质: 塑胶:(等级:UL94V-0)
Frame:Plastic:(Flammability:UL94V-0)
扇叶材质:塑胶:(等级:UL94V-0)
Impeller:Plastic:(Flammability:UL94V-0)
风扇单重:266g(Weight:266g)



P@Q CURVE(AT RATEDVOLTAGE)

DIMENSIONS DRAWING(unit:mm)



编码规则 Code Rule

UNIT : $\frac{mm}{(INCH)}$

例子 Example DCH12038H12B-DAH1701
DCH12038H12X-AY

Model No. is DCH12038H12X; Extro P/N code is AY
X means bearing type, can be S(sleeve bearing), can be B(ball bearing), can be Y(HY bearing), can be SU(sleeve with UL), can be BU(ball with UL), can be YU(HY with UL)
Y means special function code, it will be used for a certain parts no. or client.
产品型号 DCH12038H12X;附加代码 AY. X是一个不确定值,它代表了不同的轴承类型,
S(含油轴承),B(滚珠轴承),Y(液压轴承),SU(含油轴承带UL),BU(滚珠轴承带UL),YU(液压轴承带UL)
Y是一个不确定的值,它代表不同特殊风机功能,由具体客户或者料号来确定

Model	P/N Code	Rated Voltage	Operationg Voltage Range	Rated Current	Rated Input Power	Speed	Maximum Air Flow		Maximum Air Pressure		Noise
型号	P/N 附加码	额定电压	工作电压范围	额定电流	额定输入功率	转速	最大风量		最大风压		噪音
PART.NO.	EY	VDC	VDC	Amp	Watt	R.P.M	M³/min	CFM	mmH2O	InH2O	dB-A
DA12025H24X		24	18 ~26.5	0.9	21.6	8300	4.82	170.2	54.2	2.14	69.2
DA12025H48X		48	36~54	0.45	21.6	8300	4.82	170.2	54.2	2.14	69.2



TKFAN®

CE RoHS

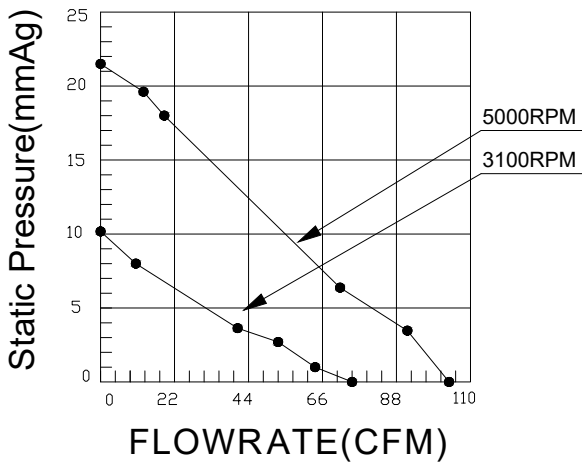
DC Brushless FAN Ø136X28mm-A Type

版次Version 2023-6-26

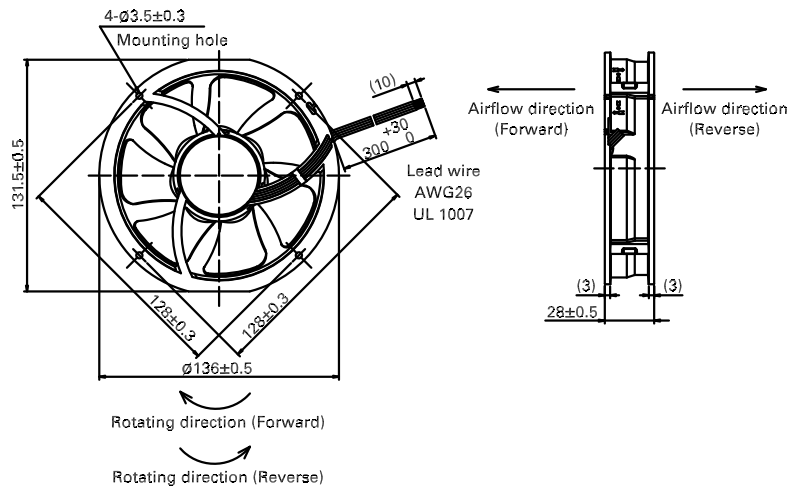
- 轴承结构：滚珠
- Bearing: Ball
- 框外材质: 塑料(等级:UL94V-0)
- Frame: Plastic(Flammability:UL94V-0)
- 扇叶材质: 塑胶:(等级:UL94V-0)
- Impeller: Plastic:(Flammability:UL94V-0)
- 风扇单重: 220g(Weight: 36g)



P@Q CURVE(AT RATED VOLTAGE)



DIMENSIONS DRAWING(unit:mm)



编码规则 Code Rule

例子 Example DCH12038H12B-A1701
DCH12038H12X-AY

Model No. is DCH12038H12X; Extro P/N code is AY

X means bearing type, can be S(sleeve bearing), can be B(ball bearing), can be Y(HY bearing), can be SU(sleeve with UL), can be BU(ball with UL), can be YU(HY with UL)

Y means special function code, it will be used for a certain parts no. or client.

产品型号 DCH12038H12X;附加代码 AY. X是一个不确定值,它代表了不同的轴承类型,

S(含油轴承),B(滚珠轴承),Y(液压轴承),SU(含油轴承带UL),BU(滚珠轴承带UL),YU(液压轴承带UL)

Y是一个不确定的值,它代表不同特殊风机功能,由具体客户或者料号来确定

Model	P/N Code	Rated Voltage	Operationg Voltage Range	Rated Current	Rated Input Power	Speed	Maximum Air Flow		Maximum Air Pressure		Noise
型号	P/N 附加码	额定电压	工作电压范围	额定电流	额定输入功率	转速	最大风量		最大风压		噪音
PART.NO.	AY	VDC	VDC	Amp	Watt	R.P.M	M³/min	CFM	mmH2O	InH2O	dB-A
DA13628H12X		12	7.5-13.5	0.15	1.8	3100	2.0	70.9	10.6	0.42	46.2
DA13628VH12X		12	7.5-13.5	0.55	6.6	5000	2.94	103.8	21.5	0.85	52.6
DA13628H24X		24	18-26.5	0.07	1.8	3100	2.0	70.9	10.6	0.42	46.2
DA13628VH24X		24	18-26.5	0.27	6.6	5000	2.94	103.8	21.5	0.85	52.6



TKFAN®

UL US CE RoHS

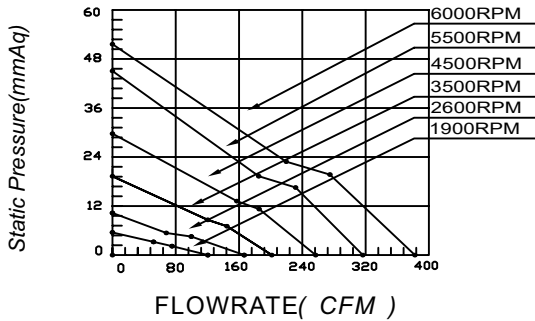
DC Brushless FAN 140x140x38mm-D Type

版次Version 2022-3-24

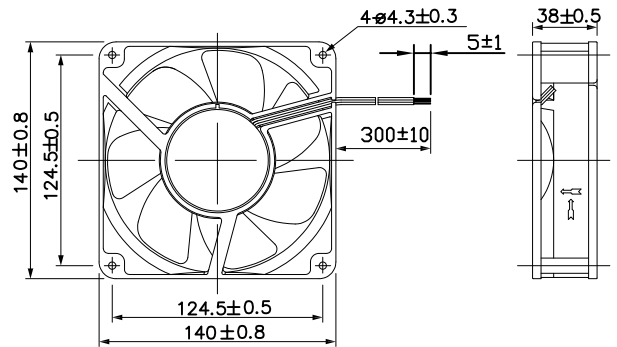
轴承结构：含油、液压、其他
Bearing: sleeve、HY、other
框外材质: 塑胶(等级:UL94V-0)
Frame:Plastic(Flammability:UL94V-0)
扇叶材质:塑胶:(等级:UL94V-0)
Impeller:Plastic:(Flammability:UL94V-0)
风扇单重:g(Weight:g)



P@Q CURVE(AT RATEDVOLTAGE)



DIMENSIONS DRAWING(unit:mm)



编码规则 Code Rule

例子 Example DCH12038H12B-DAH1701
DCH12038H12X-AY

Model No. is DCH12038H12X; Extro P/N code is AY

X means bearing type, can be S(sleeve bearing), can be B(ball bearing), can be Y(HY bearing), can be SU(sleeve with UL), can be BU(ball with UL), can be YU(HY with UL)

Y means special function code, it will be used for a certain parts no. or client.

产品型号 DCH12038H12X;附加代码 AY. X是一个不确定值,它代表了不同的轴承类型,

S(含油轴承),B(滚珠轴承),Y(液压轴承),SU(含油轴承带UL),BU(滚珠轴承带UL),YU(液压轴承带UL)

Y是一个不确定的值,它代表不同特殊风机功能,由具体客户或者料号来确定

Model	P/N Code	Rated Voltage	Operating Voltage Range	Rated Current	Rated Input Power	Speed	Maximum Air Flow		Maximum Air Pressure		Noise
型号	P/N 附加码	额定电压	工作电压范围	额定电流	额定输入功率	转速	最大风量		最大风压		噪音
PART.NO.	DY	VDC	VDC	Amp	Watt	R.P.M	M ³ /min	CFM	mmH2O	InH2O	dB-A
DA14038L12X		12	7.5~13.5	0.33	3.96	1900	3.314	117.1	5.2	0.209	38
DA14038M12X		12	7.5~13.5	0.73	8.76	2600	4.505	159.2	9.4	0.378	46
DA14038H12X		12	7.5~13.5	2.24	26.88	3500	6.271	221.6	19.7	0.776	58.8
DA14038HH12X		12	7.5~13.5	3.44	41.28	4500	7.998	282.6	30.3	1.193	67.5
DA14038VH12X		12	7.5~13.5	5.2	62.4	5500	9.854	348.2	45.9	1.807	74
DA14038HV12X		12	7.5~13.5	6.0	72.0	6000	10.714	378.6	51.1	2.012	77.2
DA14038L24X		24	18~26.5	0.17	3.96	1900	3.314	117.1	5.2	0.209	38
DA14038M24X		24	18~26.5	0.37	8.76	2600	4.505	159.2	9.4	0.378	46
DA14038H24X		24	18~26.5	1.12	26.88	3500	6.271	221.6	19.7	0.776	58.8
DA14038HH24X		24	18~26.5	1.72	41.28	4500	7.998	282.6	30.3	1.193	67.5
DA14038VH24X		24	18~26.5	2.6	62.4	5500	9.854	348.2	45.9	1.807	74
DA14038HV24X		24	18~26.5	3.0	72.0	6000	10.714	378.6	51.1	2.012	77.2
DA14038L48X		48	36~54	0.08	3.96	1900	3.314	117.1	5.2	0.209	38
DA14038M48X		48	36~54	0.18	8.76	2600	4.505	159.2	9.4	0.378	46
DA14038H48X		48	36~54	0.56	26.88	3500	6.271	221.6	19.7	0.776	58.8
DA14038HH48X		48	36~54	0.86	41.28	4500	7.998	282.6	30.3	1.193	67.5
DA14038VH48X		48	36~54	1.3	62.4	5500	9.854	348.2	45.9	1.807	74
DA14038HV48X		48	36~54	1.5	72.0	6000	10.714	378.6	51.1	2.012	77.2



TKFAN®

UL US CE RoHS

DC Brushless Blower 18x18x4mm-AType

版次Version 2026-3-5



轴承结构：液压

Bearing: sleeve、HY

框外材质: 塑胶(等级:UL94V-0)

Frame:Aluminum(Flammability:UL94V-0)

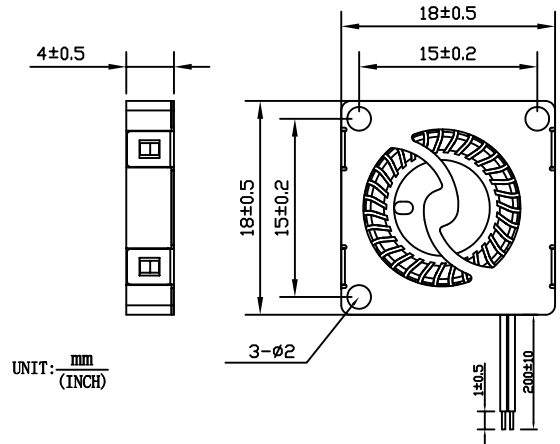
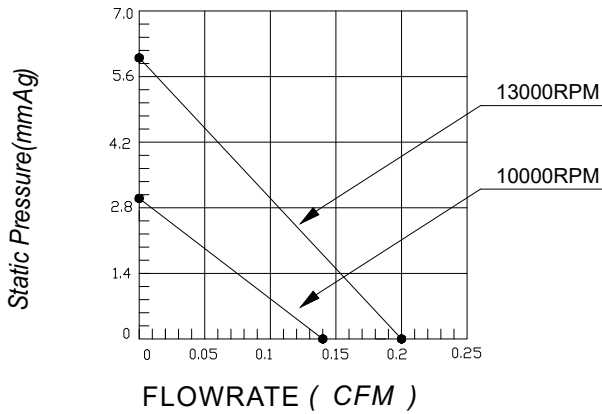
扇叶材质:塑胶:(等级:UL94V-0)

Impeller:Plastic:(Flammability:UL94V-0)

风扇单重:6g(Weight:6g)

P@Q CURVE(AT RATEDVOLTAGE)

DIMENSIONS DRAWING(unit:mm)



编码规则 Code Rule

例子 Example DCH12038H12B-DAH1701
DCH12038H12X-AY

Model No. is DCH12038H12X; Extro P/N code is AY

X means bearing type, can be S(sleeve bearing), can be B(ball bearing), can be Y(HY bearing), can be SU(sleeve with UL), can be BU(ball with UL), can be YU(HY with UL)

Y means special function code, it will be used for a certain parts no. or client.

产品型号 DCH12038H12X;附加代码 AY. X是一个不确定值,它代表了不同的轴承类型,

S(含油轴承),B(滚珠轴承),Y(液压轴承),SU(含油轴承带UL),BU(滚珠轴承带UL),YU(液压轴承带UL)

Y是一个不确定的值,它代表不同特殊风机功能,由具体客户或者料号来确定

Model	P/N Code	Rated Voltage	Operationg Voltage Range	Rated Current	Rated ,nput Power	Speed	Maximum Air Flow		Maximum Air Pressure		Noise
型号	P/N 附加码	额定电压	工作电压范围	额定电流	额定输入功率	转速	最大风量		最大风压		噪音
PART.NO.	AY	VDC	VDC	Amp	Watt	R.P.M	M3/min	CFM	mmH2O	InH2O	dB-A
BA1804L3.3X		3.3	2~6	0.03	0.1	10000	0.004	0.14	3.0	0.12	19.0
BA1804L05X		5	2~6	0.04	0.2	13000	0.006	0.2	6.0	0.24	21.7
BA1804H05X		5	2~6	0.085	0.425	20000	0.011	0.4	9.7	0.38	36.5



TKFAN®

UL US CE RoHS

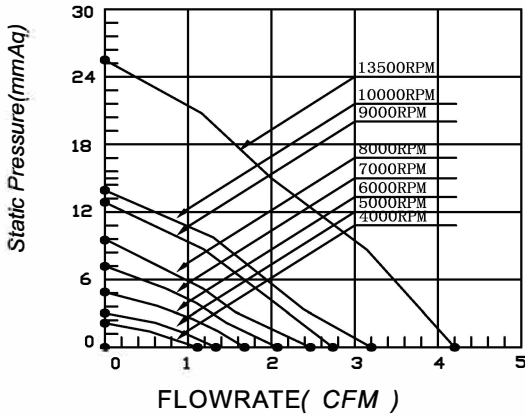
DC Brushless Blower 40x40x10mm-A Type

版次 Version 2025-9-16

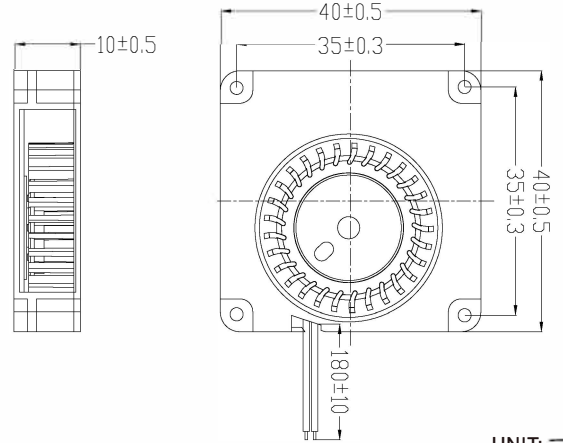
- 轴承结构：滚珠、含油、液压
- Bearing: Ball、sleeve、HY
- 框外材质: 塑料(等级:UL94V-0)
- Frame:Plastic(Flammability:UL94V-0)
- 扇叶材质:塑胶:(等级:UL94V-0)
- Impeller:Plastic:(Flammability:UL94V-0)
- 风扇单重:10g(Weight:10g)



P@Q CURVE(AT RATEDVOLTAGE)



DIMENSIONS DRAWING(unit:mm)



编码规则 Code Rule

例子 Example DCH12038H12B-DAH1701
DCH12038H12X-AY

Model No. is DCH12038H12X; Extro P/N code is AY

X means bearing type, can be S(sleeve bearing), can be B(ball bearing), can be Y(HY bearing), can be SU(sleeve with UL), can be BU(ball with UL), can be YU(HY with UL)

Y means special function code, it will be used for a certain parts no. or client.

产品型号 DCH12038H12X;附加代码 AY. X是一个不确定值,它代表了不同的轴承类型,

S(含油轴承),B(滚珠轴承),Y(液压轴承),SU(含油轴承带UL),BU(滚珠轴承带UL),YU(液压轴承带UL)

Y是一个不确定的值,它代表不同特殊风机功能,由具体客户或者料号来确定

Model	P/N Code	Rated Voltage	Operating Voltage Range	Rated Current	Rated Input Power	Speed	Maximum Air Flow		Maximum Air Pressure		Noise
型号	P/N 附加码	额定电压	工作电压范围	额定电流	额定输入功率	转速	最大风量	最大风量	最大风压	最大风压	噪音
PART.NO.		VDC	VDC	Amp	Watt	R.P.M	M³/min	CFM	mmH2O	InH2O	dBA
BA4010HHV05X	AY	5	1.8~3.6~6.8	0.44	2.2	13500	0.105	3.7	23.61	0.93	47.9
BA4010HHV12X		12	7~13.5	0.183	2.2	13500	0.105	3.7	23.61	0.93	47.9



TKFAN®

UL US CE RoHS

DC Brushless Blower 40x28mm-A Type

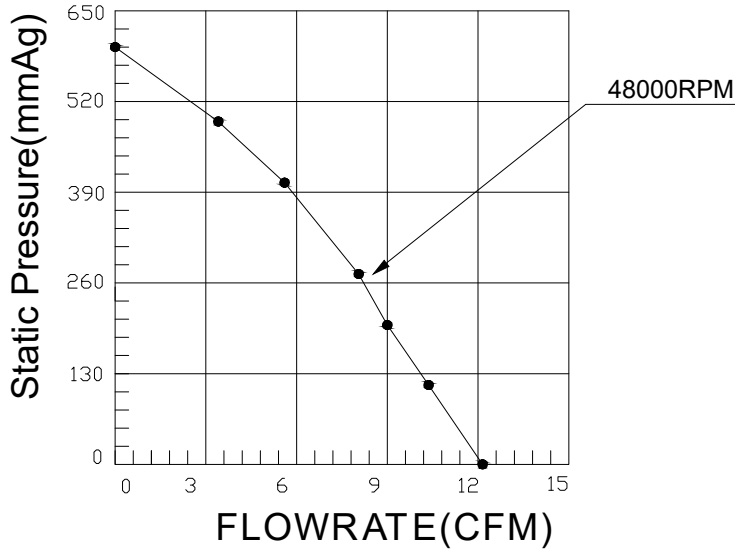
版次Version 2023-5-16

应用：
便携呼吸机

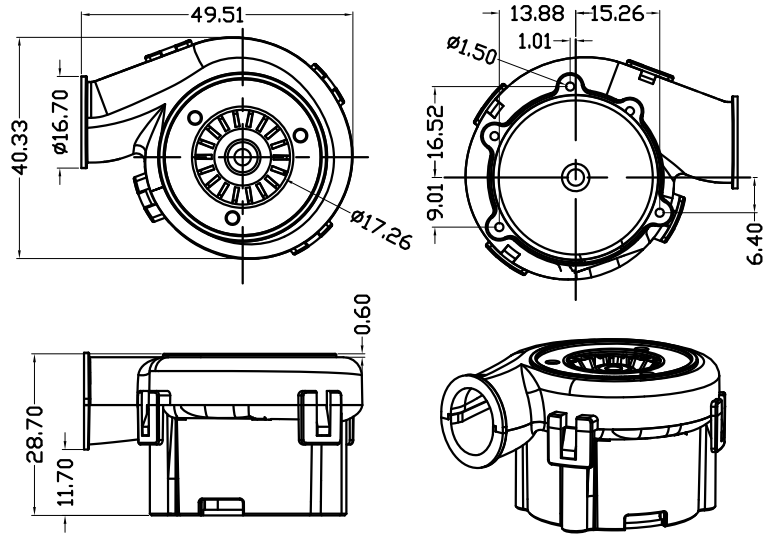
Application:
Portable ventilator



P@Q CURVE(AT RATEDVOLTAGE)



DIMENSIONS DRAWING(unit:mm)



编码规则 Code Rule

例子 Example DCH12038H12B-A1701
DCH12038H12X-AY

Model No. is DCH12038H12X; Extro P/N code is AY

X means bearing type, can be S(sleeve bearing), can be B(ball bearing), can be Y(HY bearing), can be SU(sleeve with UL), can be BU(ball with UL), can be YU(HY with UL)

Y means special function code, it will be used for a certain parts no. or client.

产品型号 DCH12038H12X; 附加代码 AY. X是一个不确定值, 它代表了不同的轴承类型,

S(含油轴承), B(滚珠轴承), Y(液压轴承), SU(含油轴承带UL), BU(滚珠轴承带UL), YU(液压轴承带UL)

Y是一个不确定的值, 它代表不同特殊风机功能, 由具体客户或者料号来确定

Model	P/N Code	Rated Voltage	Operating Voltage Range	Rated Current	Rated Input Power	Speed	Maximum Air Flow		Maximum Air Pressure		Noise
型号	P/N 附加码	额定电压	工作电压范围	额定电流	额定输入功率	转速	最大风量		最大风压		噪音
PART.NO.	AY	VDC	VDC	Amp	Watt	R.P.M	M³/min	CFM	mmH2O	InH2O	dB-A
BA4028H24B			24	12~27	2	48	48000	0.34	12	602.0	23.71



TKFAN®

UL US CE RoHS

DC Brushless Blower 50x25mm-A Type

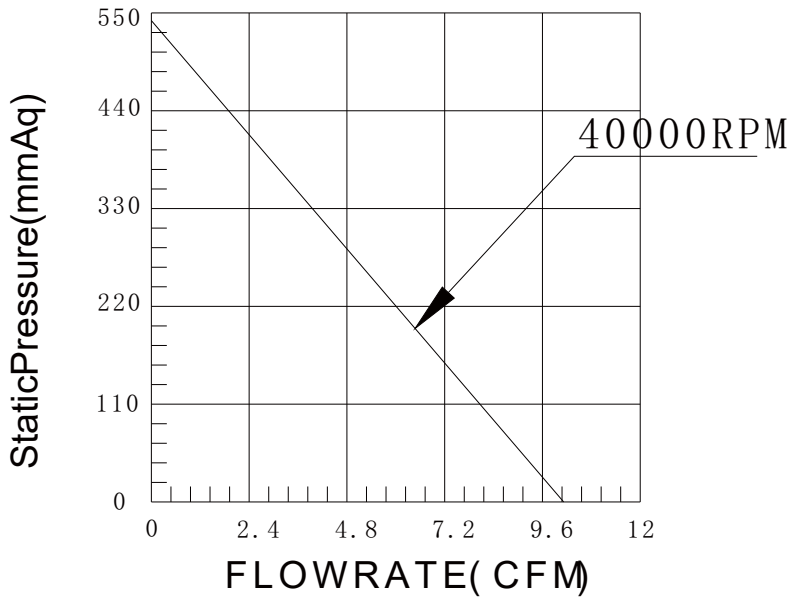
版次Version 2020-6-2

应用：

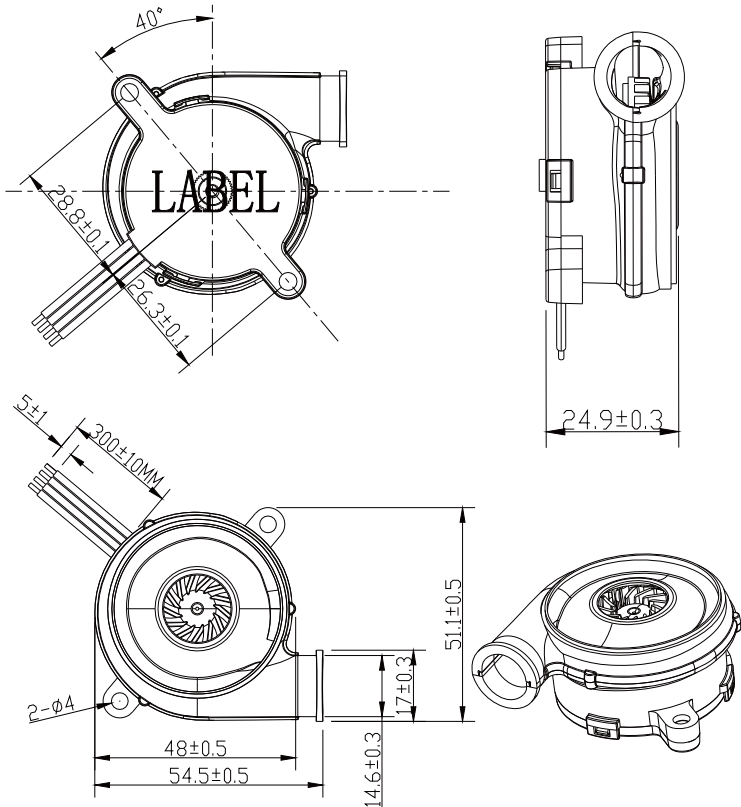
Application:



P@Q CURVE(AT RATEDVOLTAGE)



DIMENSIONS DRAWING(unit:mm)



编码规则 Code Rule

例子 Example DCH12038H12B-DCH1701
DCH12038H12X-AY

Model No. is DCH12038H12X; Extro P/N code is AY

X means bearing type, can be S(sleeve bearing), can be B(ball bearing), can be Y(HY bearing), can be SU(sleeve with UL), can be BU(ball with UL), can be YU(HY with UL)

Y means special function code, it will be used for a certain parts no. or client.

产品型号 DCH12038H12X;附加代码 AY. X是一个不确定值,它代表了不同的轴承类型,

S(含油轴承),B(滚珠轴承),Y(液压轴承),SU(含油轴承带UL),BU(滚珠轴承带UL),YU(液压轴承带UL)

Y是一个不确定的值,它代表不同特殊风机功能,由具体客户或者料号来确定

Model	P/N Code	Rated Voltage	Operating Voltage Range	Rated Current	Rated Input Power	Speed	Maximum Air Flow		Maximum Air Pressure		Noise
型号	P/N 附加码	额定电压	工作电压范围	额定电流	额定输入功率	转速	最大风量		最大风压		噪音
PART.NO.	AY	VDC	VDC	Amp	Watt	R.P.M	M³/min	CFM	mmH2O	InH2O	dB-A
BA5025H12B		12	8.5~13.5	2.8	33.6	40000	0.286	10.09	538	21.18	70.2
BA5025H24B		24	18~26.5	1.4	33.6	40000	0.286	10.09	538	21.18	70.2



TKFAN®

UL US CE RoHS

DC Brushless Blower 50x25mm-B Type

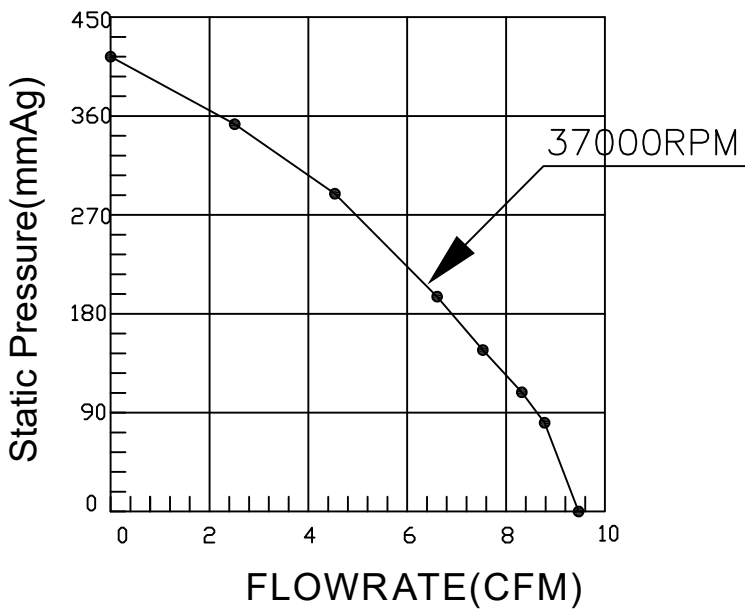
版次Version 2021-8-24

应用：
便携呼吸机

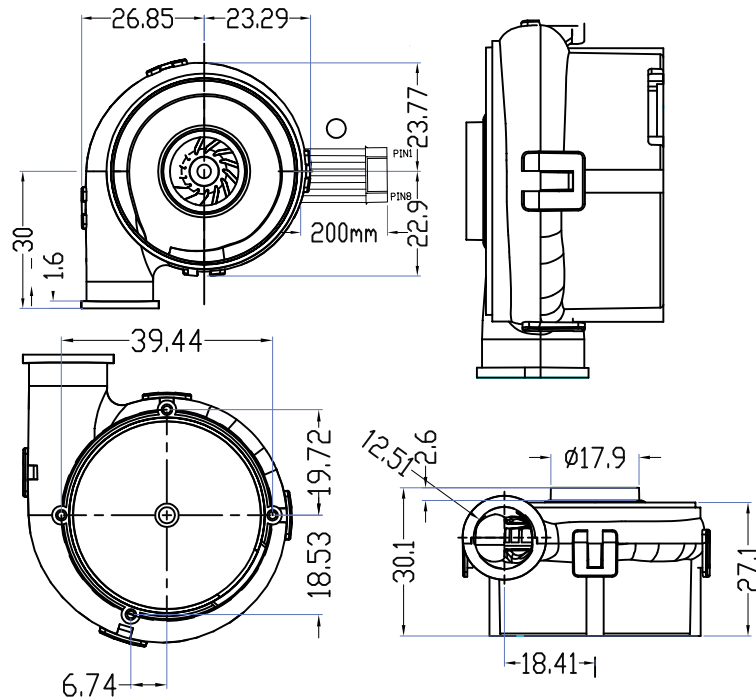
Application:
Portable ventilator



P@Q CURVE(AT RATEDVOLTAGE)



DIMENSIONS DRAWING(unit:mm)



编码规则 Code Rule

例子 Example DCH12038H12B-A1701
DCH12038H12X-AY

Model No. is DCH12038H12X; Extro P/N code is AY

X means bearing type, can be S(sleeve bearing), can be B(ball bearing), can be Y(HY bearing), can be SU(sleeve with UL), can be BU(ball with UL), can be YU(HY with UL)

Y means special function code, it will be used for a certain parts no. or client.

产品型号 DCH12038H12X;附加代码 AY. X是一个不确定值,它代表了不同的轴承类型,

S(含油轴承),B(滚珠轴承),Y(液压轴承),SU(含油轴承带UL),BU(滚珠轴承带UL),YU(液压轴承带UL)

Y是一个不确定的值,它代表不同特殊风机功能,由具体客户或者料号来确定

Model	P/N Code	Rated Voltage	Operating Voltage Range	Rated Current	Rated Input Power	Speed	Maximum Air Flow		Maximum Air Pressure		Noise
型号	P/N 附加码	额定电压	工作电压范围	额定电流	额定输入功率	转速	最大风量		最大风压		噪音
PART.NO.	BY	VDC	VDC	Amp	Watt	R.P.M	M³/min	CFM	mmH2O	InH2O	dB-A
BA5025H24B		24	5~30	1.0	24.0	37000	0.269	9.5	412.8	16.25	67.0



TKFAN®

ML

C_{RU} US CE RoHS

DC Brushless Blower 65x63x70mm-A Type

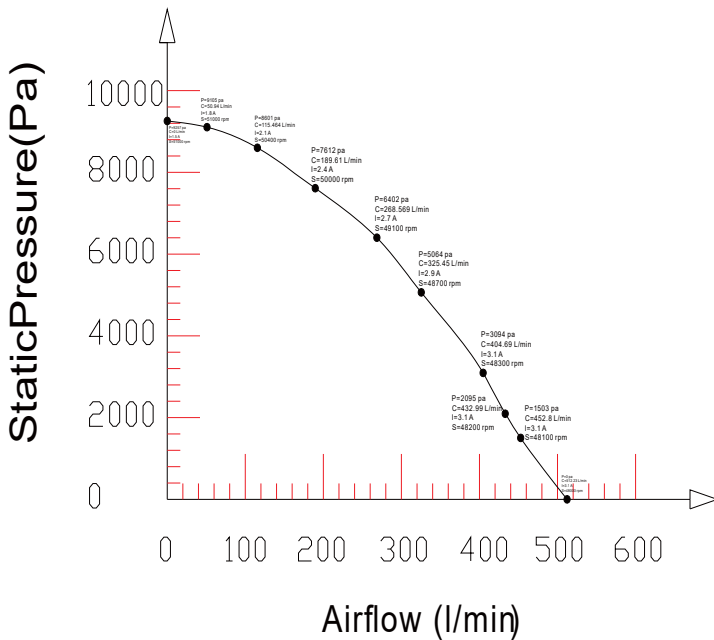
版次Version 2020-11-6

应用：
医用呼吸机

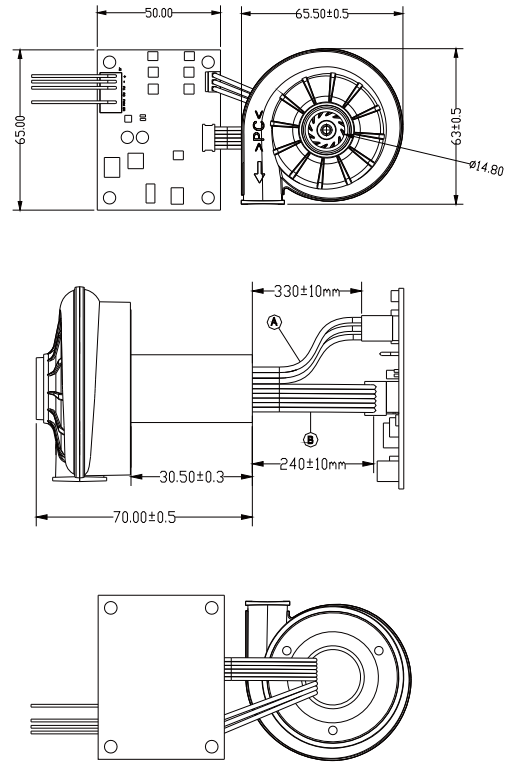
Application:
Ventilator



P@Q CURVE(AT RATEDVOLTAGE)



DIMENSIONS DRAWING(unit:mm)



编码规则 Code Rule

例子 Example DCH12038H12B-A1701
DCH12038H12X-AY

Model No. is DCH12038H12X; Extro P/N code is AY

X means bearing type, can be S(sleeve bearing), can be B(ball bearing), can be Y(HY bearing), can be SU(sleeve with UL), can be BU(ball with UL), can be YU(HY with UL)

Y means special function code, it will be used for a certain parts no. or client.

产品型号 DCH12038H12X;附加代码 AY. X是一个不确定值,它代表了不同的轴承类型,

S(含油轴承), B(滚珠轴承), Y(液压轴承), SU(含油轴承带UL), BU(滚珠轴承带UL), YU(液压轴承带UL)

Y是一个不确定的值, 它代表不同特殊风机功能, 由具体客户或者料号来确定

Model	P/N Code	Rated Voltage	Operating Voltage Range	Rated Current	Rated Input Power	Speed	Maximum Air Flow	Maximum Air Pressure	Noise		
型号	P/N 附加码	额定电压	工作电压范围	额定电流	额定输入功率	转速	最大风量	最大风压	噪音		
PART.NO.	AY	VDC	VDC	Amp	Watt	R.P.M	M³/min	CFM	mmH2O	InH2O	dB-A
BA6560H24B		24	12~25	3.1	74.4	48000	0.512	18.09	925.7	36.44	70.0



TKFAN®

UL US CE RoHS

DC Brushless Blower 70x65x40mm-B Type

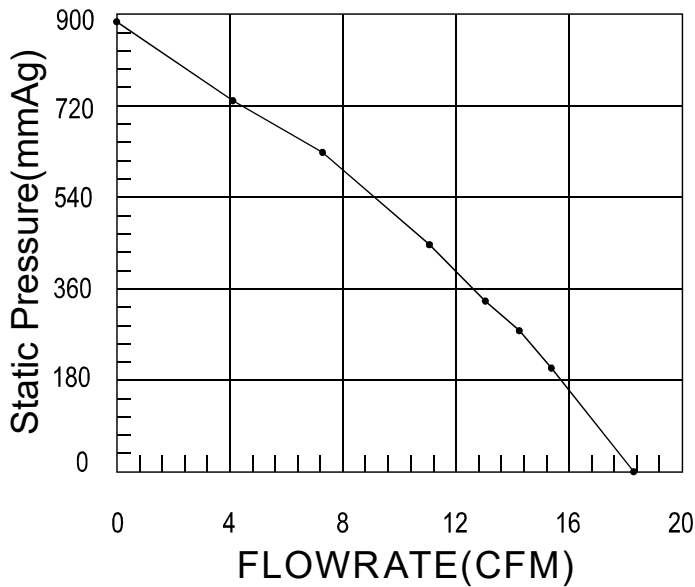
版次Version 2021-3-10

应用：
气垫机

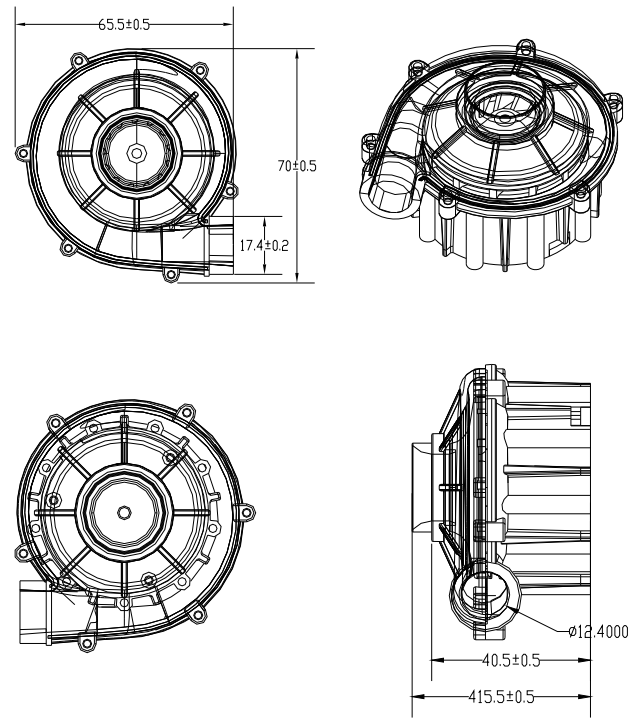
Application:
air cushion machine



P@Q CURVE(AT RATEDVOLTAGE)



DIMENSIONS DRAWING(unit:mm)



编码规则 Code Rule

例子 Example DCH12038H12B-A1701
DCH12038H12X-AY

Model No. is DCH12038H12X; Extro P/N code is AY

X means bearing type, can be S(sleeve bearing), can be B(ball bearing), can be Y(HY bearing), can be SU(sleeve with UL), can be BU(ball with UL), can be YU(HY with UL)

Y means special function code, it will be used for a certain parts no. or client.

产品型号 DCH12038H12X;附加代码 AY. X是一个不确定值,它代表了不同的轴承类型,

S(含油轴承),B(滚珠轴承),Y(液压轴承),SU(含油轴承带UL),BU(滚珠轴承带UL),YU(液压轴承带UL)

Y是一个不确定的值,它代表不同特殊风机功能,由具体客户或者料号来确定

Model	P/N Code	Rated Voltage	Operating Voltage Range	Rated Current	Rated Input Power	Speed	Maximum Air Flow		Maximum Air Pressure		Noise
型号	P/N 附加码	额定电压	工作电压范围	额定电流	额定输入功率	转速	最大风量		最大风压		噪音
PART.NO.	BY	VDC	VDC	Amp	Watt	R.P.M	M³/min	CFM	mmH2O	InH2O	dB-A
BA7050H24B		24	12~25	3.5	84	37000	0.52	18.36	884.75	34.83	70.0



TKFAN®

BA

UL US CE RoHS

DC Brushless Blower 70x50mm-C Type

版次 Version 2025-9-6

应用：

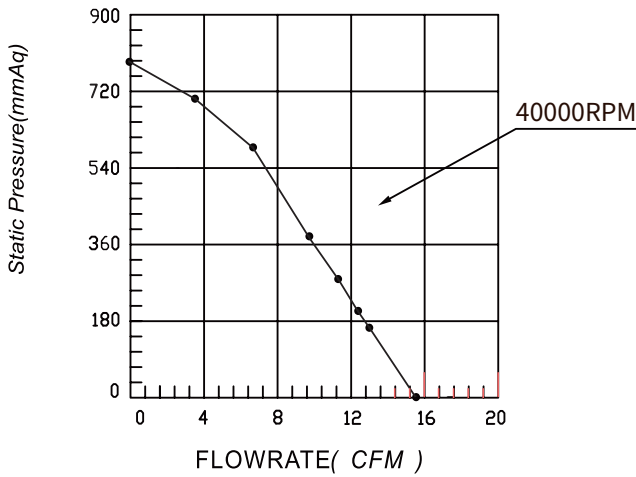
气垫鼓风机，气模鼓风机

Application:

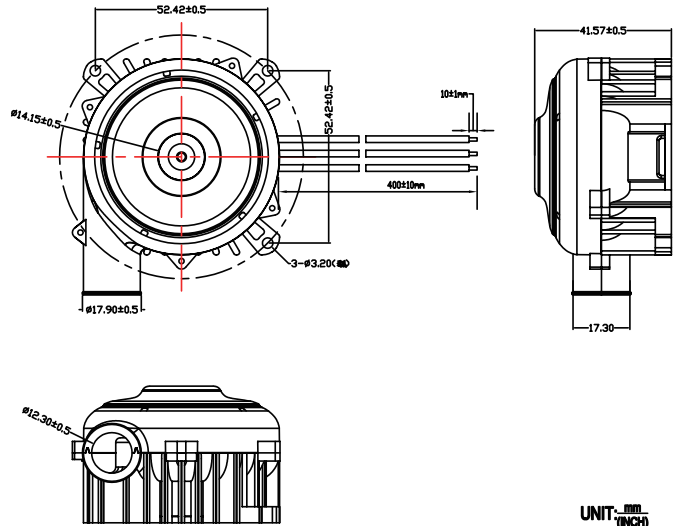
Air cushion blower、Air mold blower



P@Q CURVE(AT RATEDVOLTAGE)



DIMENSIONS DRAWING(unit:mm)



编码规则 Code Rule

例子 Example DCH12038H12B-DAH1701
DCH12038H12X-AY

Model No. is DCH12038H12X; Extro P/N code is AY

X means bearing type, can be S(sleeve bearing), can be B(ball bearing), can be Y(HY bearing), can be SU(sleeve with UL), can be BU(ball with UL), can be YU(HY with UL)

Y means special function code, it will be used for a certain parts no. or client.

产品型号 DCH12038H12X;附加代码 AY. X是一个不确定值,它代表了不同的轴承类型,

S(含油轴承),B(滚珠轴承),Y(液压轴承),SU(含油轴承带UL),BU(滚珠轴承带UL),YU(液压轴承带UL)

Y是一个不确定的值,它代表不同特殊风机功能,由具体客户或者料号来确定

Model	P/N Code	Rated Voltage	Operationg Voltage Range	Rated Current	Rated Input Power	Speed	Maximum Air Flow		Maximum Air Pressure		Noise
型号	P/N 附加码	额定电压	工作电压范围	额定电流	额定输入功率	转速	最大风量		最大风压		噪音
PART.NO.	CY	VDC	VDC	Amp	Watt	R.P.M	M³/min	CFM	mmH2O	InH2O	dB-A
BA7050H12B			12	9~13.5	5.7	68.4	40000	0.44	15.5	790.5	31.12



TKFAN®

CST

UL US CE RoHS

DC Brushless Blower 77x66x57mm-D Type

版次Version 2022-7-13

应用：

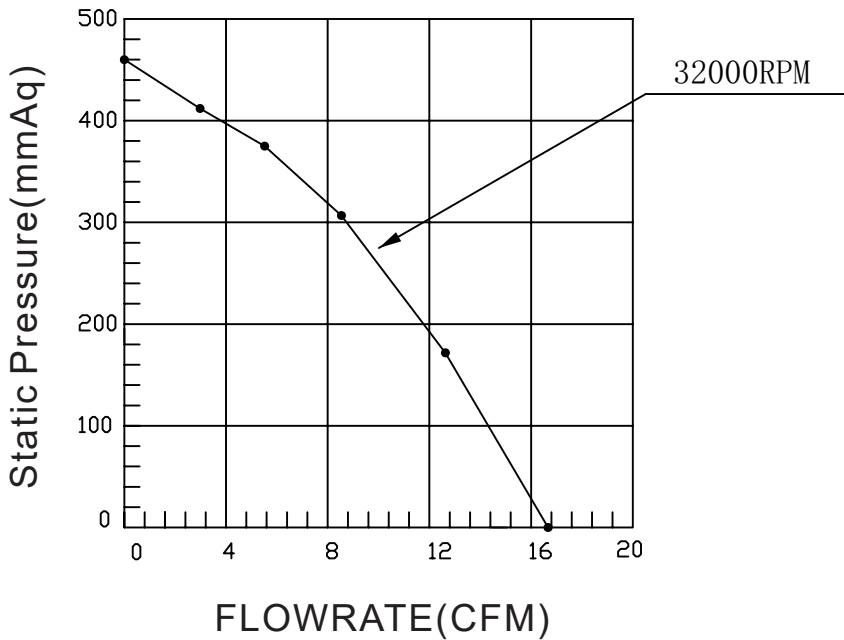
家用呼吸机，医用呼吸机

Application:

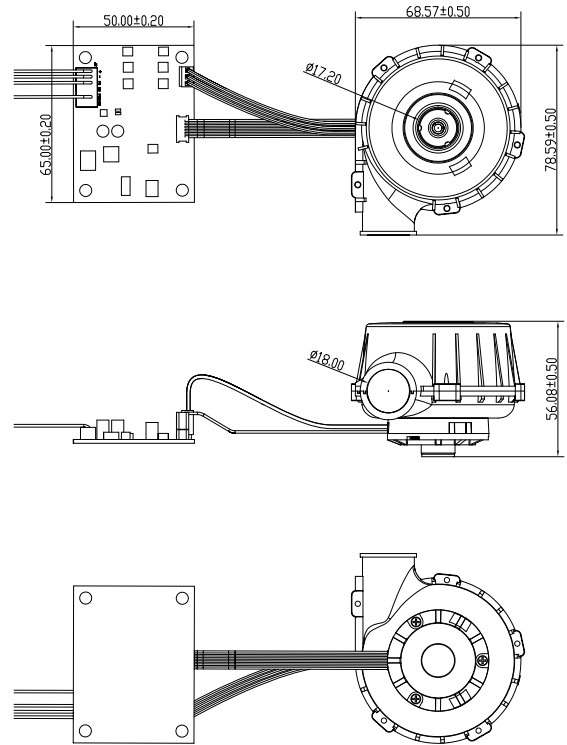
CPAP,APAP,Ventilator



P@Q CURVE(AT RATEDVOLTAGE)



DIMENSIONS DRAWING(unit:mm)



编码规则 Code Rule

例子 Example DCH12038H12B-A1701
DCH12038H12X-AY

Model No. is DCH12038H12X; Extro P/N code is AY

X means bearing type, can be S(sleeve bearing), can be B(ball bearing), can be Y(HY bearing), can be SU(sleeve with UL), can be BU(ball with UL), can be YU(HY with UL)

Y means special function code, it will be used for a certain parts no. or client.

产品型号 DCH12038H12X; 附加代码 AY. X是一个不确定值, 它代表了不同的轴承类型,

S(含油轴承), B(滚珠轴承), Y(液压轴承), SU(含油轴承带UL), BU(滚珠轴承带UL), YU(液压轴承带UL)

Y是一个不确定的值, 它代表不同特殊风机功能, 由具体客户或者料号来确定

Model	P/N Code	Rated Voltage	Operating Voltage Range	Rated Current	Rated Input Power	Speed	Maximum Air Flow		Maximum Air Pressure		Noise
型号	P/N 附加码	额定电压	工作电压范围	额定电流	额定输入功率	转速	最大风量		最大风压		噪音
PART.NO.	DY	VDC	VDC	Amp	Watt	R.P.M	M³/min	CFM	mmH2O	InH2O	dB-A
BA7060H24B		24	18~26.5	1.5	36	32000	0.48	16.8	488.8	19.25	71.3



TKFAN®

UL US CE RoHS

DC Brushless Blower 77x66x57mm-F Type

版次Version 2023-11-25

应用：

家用呼吸机，医用呼吸机

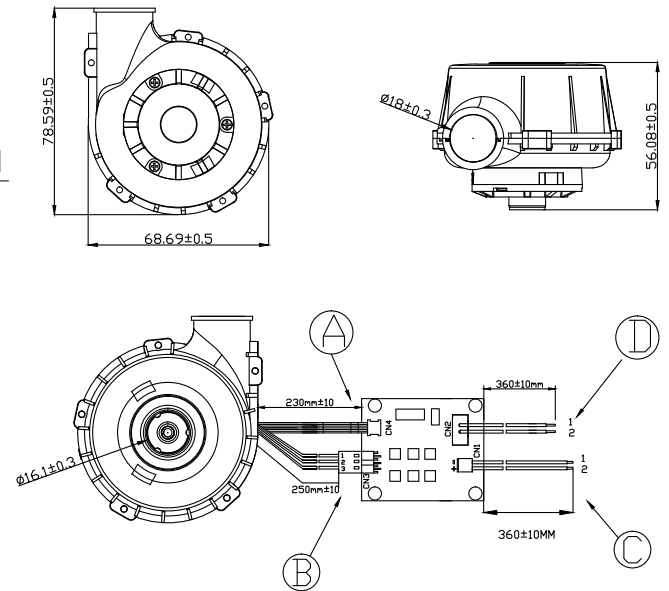
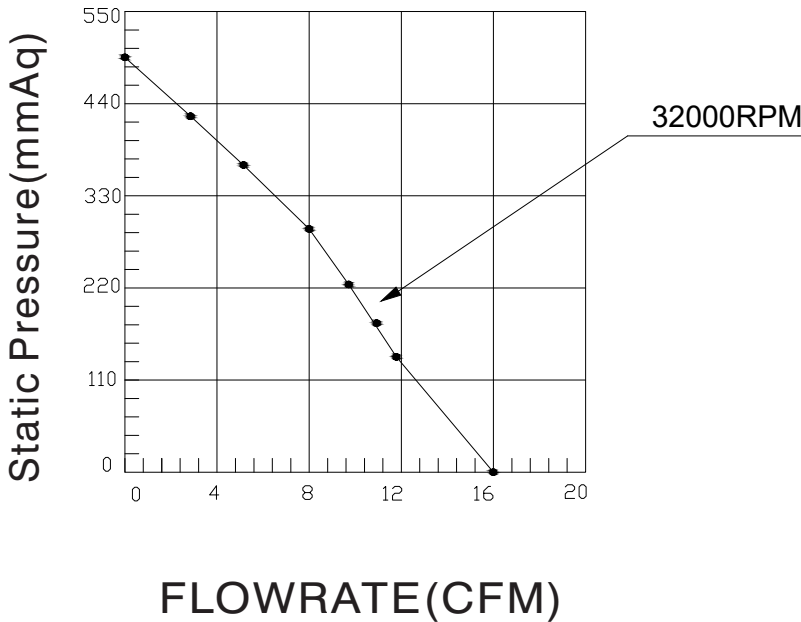
Application:

CPAP, APAP, Ventilator



P@Q CURVE(AT RATEDVOLTAGE)

DIMENSIONS DRAWING(unit:mm)



编码规则 Code Rule

例子 Example DCH12038H12B-A1701
DCH12038H12X-AY

Model No. is DCH12038H12X; Extro P/N code is AY

X means bearing type, can be S(sleeve bearing), can be B(ball bearing), can be Y(HY bearing), can be SU(sleeve with UL), can be BU(ball with UL), can be YU(HY with UL)

Y means special function code, it will be used for a certain parts no. or client.

产品型号 DCH12038H12X;附加代码 AY. X是一个不确定值,它代表了不同的轴承类型,

S(含油轴承),B(滚珠轴承),Y(液压轴承),SU(含油轴承带UL),BU(滚珠轴承带UL),YU(液压轴承带UL)

Y是一个不确定的值,它代表不同特殊风机功能,由具体客户或者料号来确定

Model	P/N Code	Rated Voltage	Operating Voltage Range	Rated Current	Rated Input Power	Speed	Maximum Air Flow		Maximum Air Pressure		Noise
型号	P/N 附加码	额定电压	工作电压范围	额定电流	额定输入功率	转速	最大风量		最大风压		噪音
PART.NO.	FY	VDC	VDC	Amp	Watt	R.P.M	m³/min	CFM	mmH2O	InH2O	dB-A
BA7060H24B			24	18-26.5	1.5	36	32000	0.45	15.9	493.3	19.43



TKFAN®

BA
C RoHS

DC Brushless Blower 70x60mm-K Type

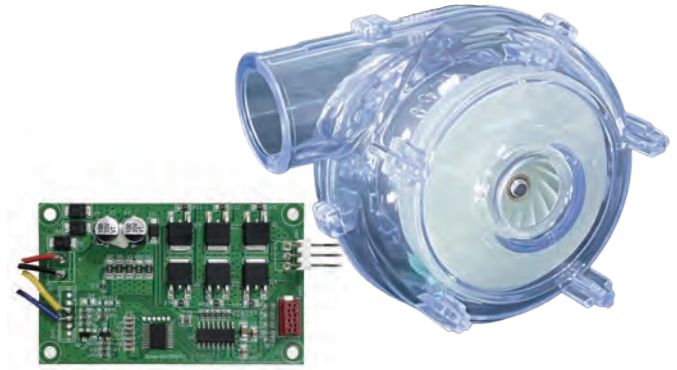
版次 Version 2025-9-15

应用：

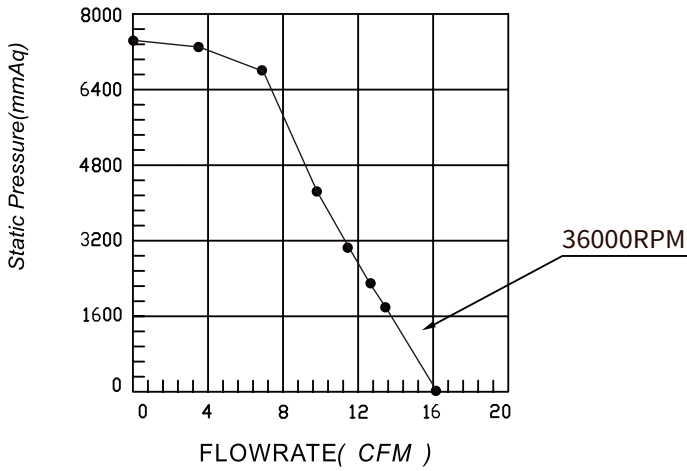
医用呼吸机，家用呼吸机

Application:

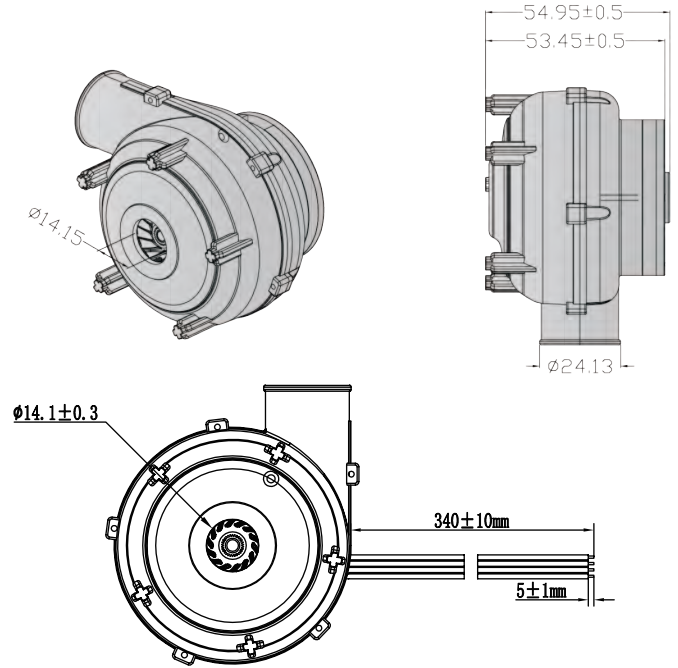
Vacuum system、Air cushion machine、CAPA



P@Q CURVE(AT RATED VOLTAGE)



DIMENSIONS DRAWING(unit:mm)



编码规则 Code Rule

例子 Example DCH12038H12B-DAH1701
DCH12038H12X-AY

Model No. is DCH12038H12X; Extro P/N code is AY

X means bearing type, can be S (sleeve bearing), can be B (ball bearing), can be Y (HY bearing), can be SU (sleeve with UL), can be BU (ball with UL), can be YU (HY with UL)

Y means special function code, it will be used for a certain parts no. or client.

产品型号 DCH12038H12X; 附加代码 AY. X是一个不确定值, 它代表了不同的轴承类型,

S(含油轴承), B(滚珠轴承), Y(液压轴承), SU(含油轴承带UL), BU(滚珠轴承带UL), YU(液压轴承带UL)

Y是一个不确定的值, 它代表不同特殊风机功能, 由具体客户或者料号来确定

Model	P/N Code	Rated Voltage	Operating Voltage Range	Rated Current	Rated Input Power	Speed	Maximum Air Flow		Maximum Air Pressure		Noise
型号	P/N 附加码	额定电压	工作电压范围	额定电流	额定输入功率	转速	最大风量		最大风压		噪音
PART.NO.	KY	VDC	VDC	Amp	Watt	R.P.M	M ³ /min	CFM	mmH2O	InH2O	dB-A
BA7060H24B			24	18~40	2.2	52.8	36000	0.46	16.2	742.3	29.86



TKFAN®

BA
 C RoHS

DC Brushless Blower 80x50mm-A Type

版次 Version 2025-5-16



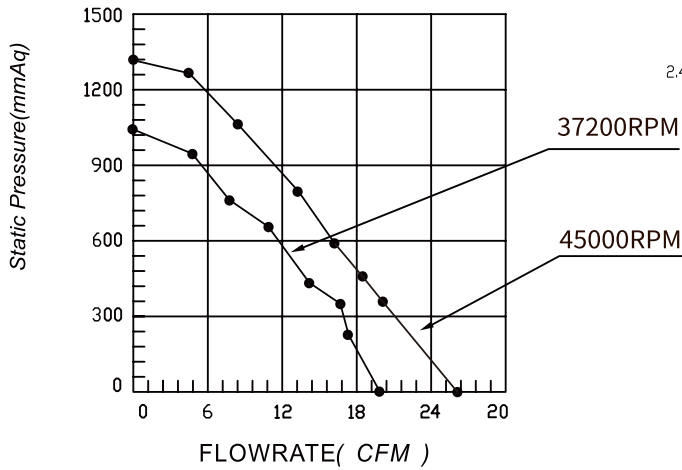
应用：

气模鼓风机，燃气灶鼓风机

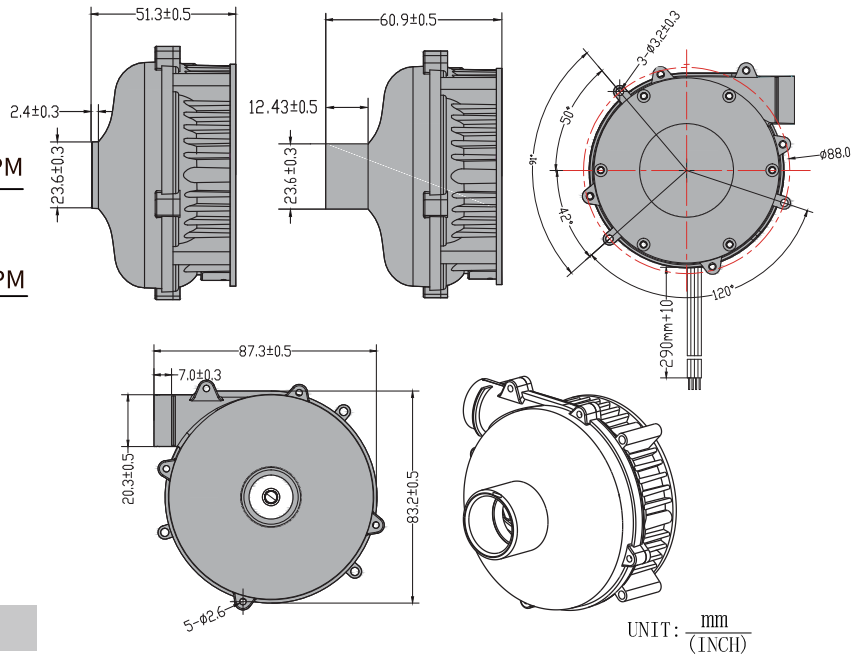
Application:

Vacuum system 、 Air cushion machine 、 Automobile camera

P@Q CURVE(AT RATEDVOLTAGE)



DIMENSIONS DRAWING(unit:mm)



编码规则 Code Rule

例子 Example DCH12038H12B-DAH1701
 DCH12038H12X-AY

Model No. is DCH12038H12X; Extro P/N code is AY

X means bearing type, can be S(sleeve bearing), can be B(ball bearing), can be Y(HY bearing), can be SU(sleeve with UL), can be BU(ball with UL), can be YU(HY with UL)

Y means special function code, it will be used for a certain parts no. or client.

产品型号 DCH12038H12X;附加代码 AY. X是一个不确定值,它代表了不同的轴承类型,

S(含油轴承),B(滚珠轴承),Y(液压轴承),SU(含油轴承带UL),BU(滚珠轴承带UL),YU(液压轴承带UL)

Y是一个不确定的值,它代表不同特殊风机功能,由具体客户或者料号来确定

Model	P/N Code	Rated Voltage	Operating Voltage Range	Rated Current	Rated Input Power	Speed	Maximum Air Flow		Maximum Air Pressure		Noise
型号	P/N 附加码	额定电压	工作电压范围	额定电流	额定输入功率	转速	最大风量		最大风压		噪音
PART.NO.	BY	VDC	VDC	Amp	Watt	R.P.M	M³/min	CFM	mmH2O	InH2O	dB-A
BA8050H12B		12	9.5~16	7.5	90	37000	0.57	20.2	1053	42.37	77.1
BA8050H24B		24	18~26	6.5	158.4	45000	0.73	25.9	1334.5	53.72	80.1



TKFAN®

UL US CE RoHS

DC Brushless Blower 80x77x60mm-A Type

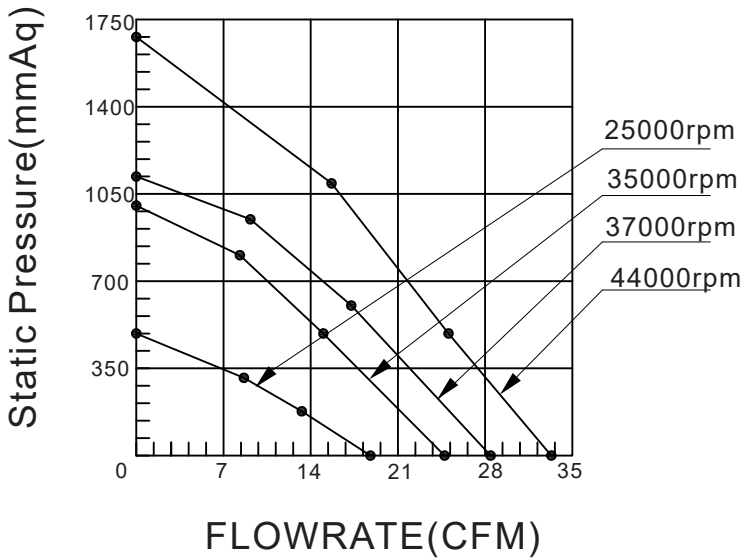
版次Version 2021-11-25

应用：

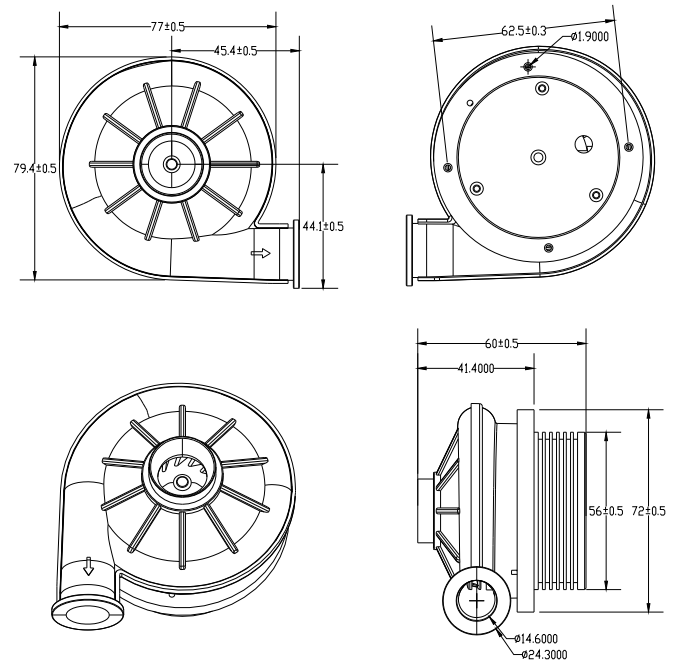
Application:



P@Q CURVE(AT RATEDVOLTAGE)



DIMENSIONS DRAWING(unit:mm)



编码规则 Code Rule

例子 Example DCH12038H12B-A1701
DCH12038H12X-AY

Model No. is DCH12038H12X; Extro P/N code is AY

X means bearing type, can be S(sleeve bearing), can be B(ball bearing), can be Y(HY bearing), can be SU(sleeve with UL), can be BU(ball with UL), can be YU(HY with UL)

Y means special function code, it will be used for a certain parts no. or client.

产品型号 DCH12038H12X;附加代码 AY. X是一个不确定值,它代表了不同的轴承类型,

S(含油轴承),B(滚珠轴承),Y(液压轴承),SU(含油轴承带UL),BU(滚珠轴承带UL),YU(液压轴承带UL)

Y是一个不确定的值,它代表不同特殊风机功能,由具体客户或者料号来确定

Model	P/N Code	Rated Voltage	Operating Voltage Range	Rated Current	Rated Input Power	Speed	Maximum Air Flow		Maximum Air Pressure		Noise
型号	P/N 附加码	额定电压	工作电压范围	额定电流	额定输入功率	转速	最大风量	最大风压	最大风量	最大风压	噪音
PART.NO.	AY	VDC	VDC	Amp	Watt	R.P.M	M³/min	CFM	mmH2O	InH2O	dB-A
BA8060L24B		24	18~26.5	1.85	44.4	25000	0.515	18.4	497.8	19.6	68.40
BA8060M24B		24	18~26.5	4.3	103.2	35000	0.719	25.4	1009.5	39.7	70.90
BA8060M24B-02		24	18~26.5	4.3	129.6	37000	0.795	28.1	1119.5	44.1	70.90
BA8060H24B	24	18~26.5	8.5	204	44000	0.957	33.8	1681.3	66.2	84.3	



TKFAN®

BA

C US CE RoHS

DC Brushless Blower 80x60mm-B Type

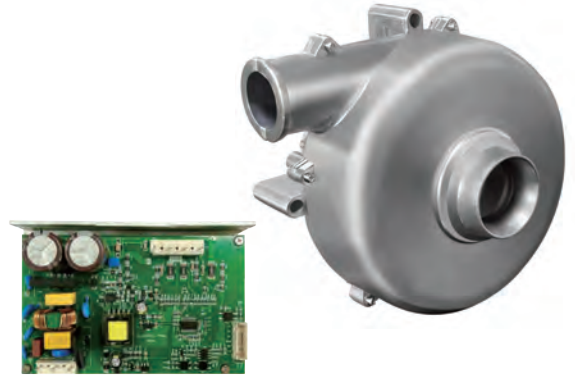
版次 Version 2025-9-16

应用：

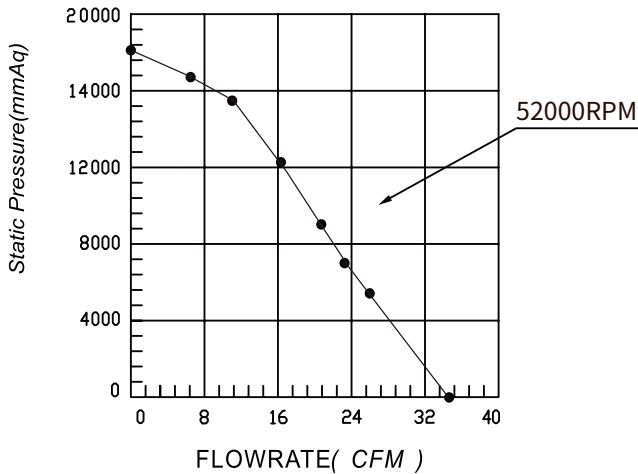
气模鼓风机，燃气灶鼓风机

Application:

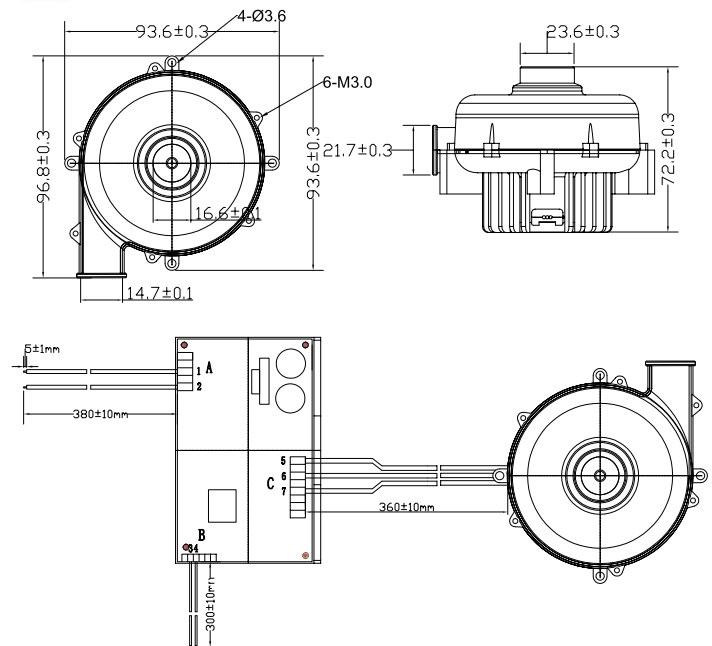
Vacuum system、Air cushion machine、Seafood transporter



P@Q CURVE(AT RATEDVOLTAGE)



DIMENSIONS DRAWING(unit:mm)



编码规则 Code Rule

例子 Example DCH12038H12B-DAH1701
DCH12038H12X-AY

Model No. is DCH12038H12X; Extro P/N code is AY

X means bearing type, can be S(sleeve bearing), can be B(ball bearing), can be Y(HY bearing), can be SU(sleeve with UL), can be BU(ball with UL), can be YU(HY with UL)

Y means special function code, it will be used for a certain parts no. or client.

产品型号 DCH12038H12X;附加代码 AY. X是一个不确定值,它代表了不同的轴承类型,

S(含油轴承),B(滚珠轴承),Y(液压轴承),SU(含油轴承带UL),BU(滚珠轴承带UL),YU(液压轴承带UL)

Y是一个不确定的值,它代表不同特殊风机功能,由具体客户或者料号来确定

Model	P/N Code	Rated Voltage	Operationg Voltage Range	Rated Current	Rated Input Power	Speed	Maximum Air Flow		Maximum Air Pressure		Noise
型号	P/N 附加码	额定电压	工作电压范围	额定电流	额定输入功率	转速	最大风量		最大风压		噪音
PART.NO.	BY	VDC	VDC	Amp	Watt	R.P.M	M³/min	CFM	mmH2O	InH2O	dB-A
BA8060H12B		12	10~16	11.4	136.8	43000	0.81	28.6	1250.3	49.24	72.4
BA8060H24B		24	18~26	9	216	52000	0.95	33.7	1860.0	73.18	78.9
BA8060H02B		220	180~240	1.4	221	52000	0.97	34.2	1836.5	72.23	77.8



TKFAN®

BA

C US RoHS

DC Brushless Blower 80x60mm-E-Type

版次 Version 2025-9-26

应用：

气垫鼓风机，气模鼓风机

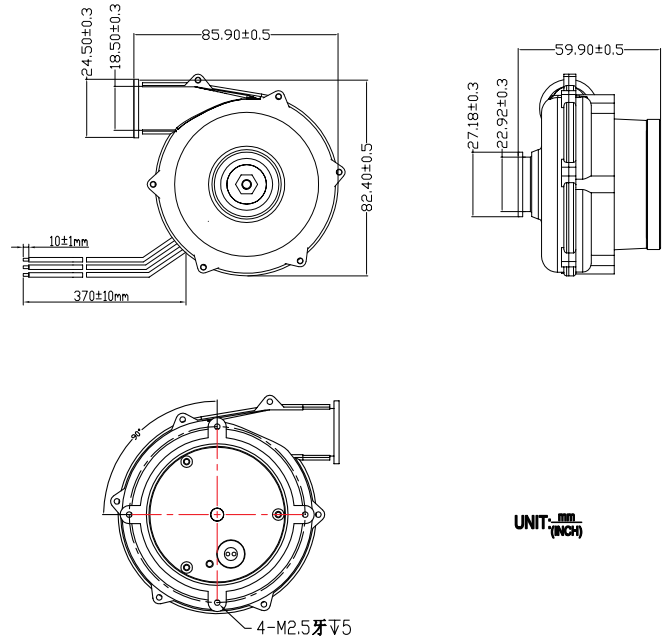
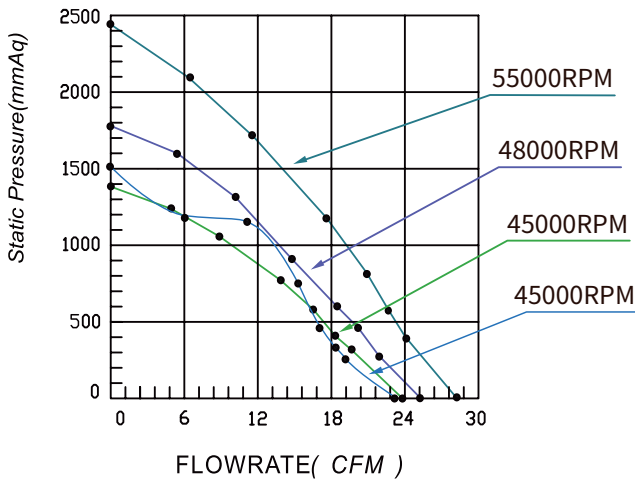
Application:

Air cushion blower、Air mold blower



P@Q CURVE(AT RATEDVOLTAGE)

DIMENSIONS DRAWING(unit:mm)



编码规则 Code Rule

例子 Example DCH12038H12B-DAH1701
DCH12038H12X-AY

Model No. is DCH12038H12X; Extro P/N code is AY

X means bearing type, can be S(sleeve bearing), can be B(ball bearing), can be Y(HY bearing), can be SU(sleeve with UL), can be BU(ball with UL), can be YU(HY with UL)

Y means special function code, it will be used for a certain parts no. or client.

产品型号 DCH12038H12X;附加代码 AY. X是一个不确定值,它代表了不同的轴承类型,

S(含油轴承),B(滚珠轴承),Y(液压轴承),SU(含油轴承带UL),BU(滚珠轴承带UL),YU(液压轴承带UL)

Y是一个不确定的值,它代表不同特殊风机功能,由具体客户或者料号来确定

Model	P/N Code	Rated Voltage	Operationg Voltage Range	Rated Current	Rated Input Power	Speed	Maximum Air Flow		Maximum Air Pressure		Noise
型号	P/N 附加码	额定电压	工作电压范围	额定电流	额定输入功率	转速	最大风量		最大风压		噪音
PART.NO.	EY	VDC	VDC	Amp	Watt	R.P.M	M³/min	CFM	mmH2O	InH2O	dB-A
BA8060H24B		24	19~26.5	7.7	184.8	48000	0.71	25.1	1822.5	74.42	88.3
BA8060H24B-E-25KPA		24	19~26.5	11.7	280.8	55000	0.79	28.1	2419.0	95.1	92.2
BA8060H01B		110(AC)	90~130(AC)	1.7	155	45000	0.66	23.5	1364.6	53.72	87.7
BA8060H02B		220(AC)	180~240(AC)	0.9	138	45000	0.65	23.1	1503.2	59.18	88.7



TKFAN®

BA

UL US CE RoHS

DC Brushless Blower 90x80mm-A Type

版次 Version 2025-9-16

应用：

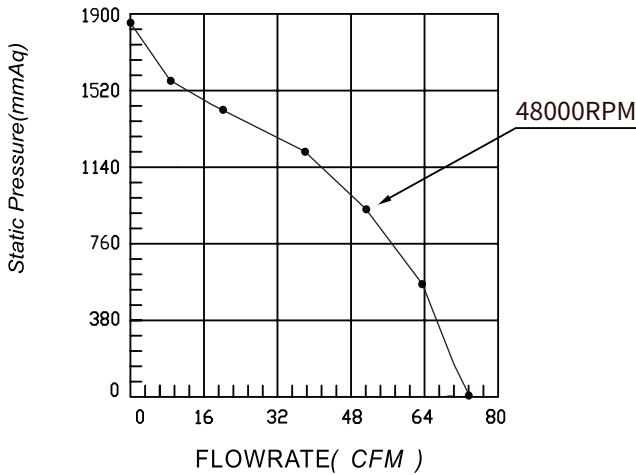
医用呼吸机, 家用呼吸机

Application:

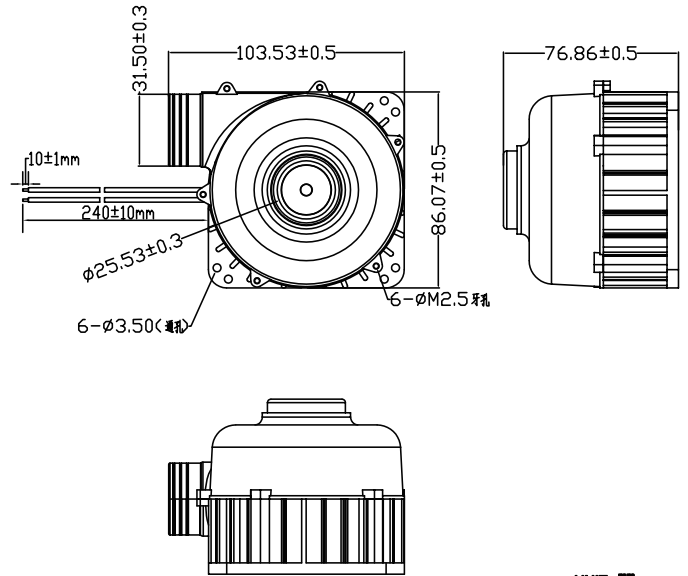
Vacuum system、Air cushion machine、CAPA



P@Q CURVE (AT RATED VOLTAGE)



DIMENSIONS DRAWING (unit:mm)



UNIT: mm (INCH)

编码规则 Code Rule

例子 Example DCH12038H12B-DAH1701
DCH12038H12X-AY

Model No. is DCH12038H12X; Extro P/N code is AY

X means bearing type, can be S(sleeve bearing), can be B(ball bearing), can be Y(HY bearing), can be SU(sleeve with UL), can be BU(ball with UL), can be YU(HY with UL)

Y means special function code, it will be used for a certain parts no. or client.

产品型号 DCH12038H12X;附加代码 AY. X是一个不确定值,它代表了不同的轴承类型,

S(含油轴承),B(滚珠轴承),Y(液压轴承),SU(含油轴承带UL),BU(滚珠轴承带UL),YU(液压轴承带UL)

Y是一个不确定的值,它代表不同特殊风机功能,由具体客户或者料号来确定

Model	P/N Code	Rated Voltage	Operating Voltage Range	Rated Current	Rated Input Power	Speed	Maximum Air Flow		Maximum Air Pressure		Noise
型号	P/N 附加码	额定电压	工作电压范围	额定电流	额定输入功率	转速	最大风量		最大风压		噪音
PART.NO.	AY	VDC	VDC	Amp	Watt	R.P.M	M³/min	CFM	mmH2O	InH2O	dB-A
BA9080H24B			24	18.5~26.5	15.3	367.2	48000	0.46	72.4	1842.8	72.55



TKFAN®

ML

UL US CE RoHS

DC Brushless Blower 98x101x56.6mm-A Type

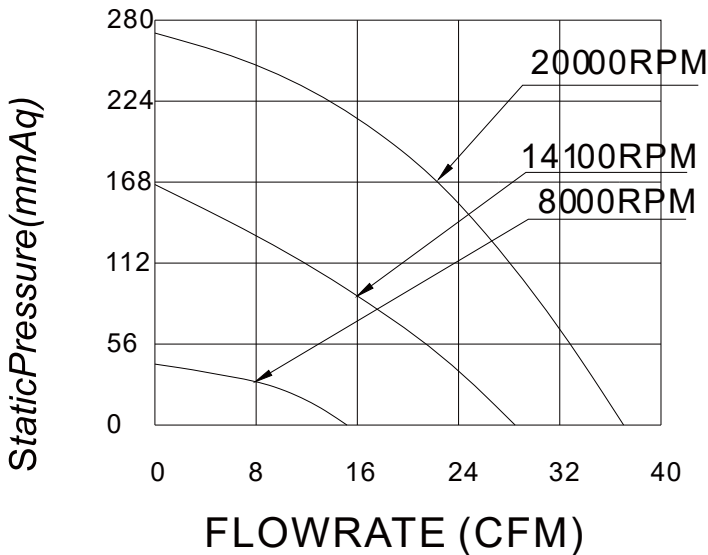
版次Version 2020-7-10

应用：
便携式防毒面具

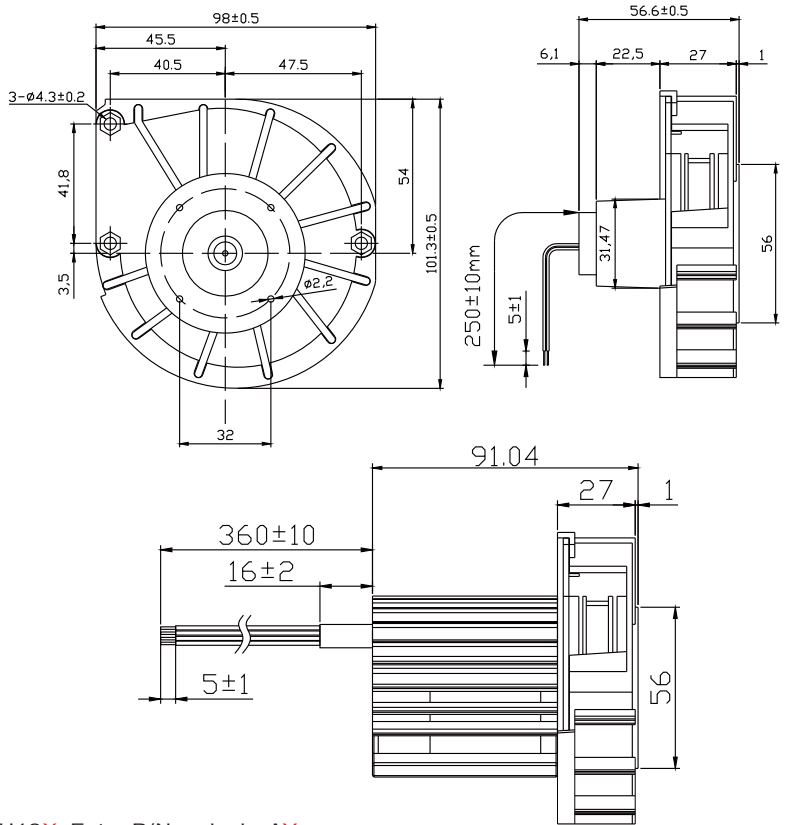
Application:
Gas mask



P@Q CURVE(AT RATEDVOLTAGE)



DIMENSIONS DRAWING(unit:mm)



编码规则 Code Rule

例子 Example DCH12038H12B-A1701
DCH12038H12X-AY

Model No. is DCH12038H12X; Extro P/N code is AY

X means bearing type, can be S(sleeve bearing), can be B(ball bearing), can be Y(HY bearing), can be SU(sleeve with UL), can be BU(ball with UL), can be YU(HY with UL)

Y means special function code, it will be used for a certain parts no. or client.

产品型号 DCH12038H12X;附加代码 AY. X是一个不确定值,它代表了不同的轴承类型,

S(含油轴承),B(滚珠轴承),Y(液压轴承),SU(含油轴承带UL),BU(滚珠轴承带UL),YU(液压轴承带UL)

Y是一个不确定的值,它代表不同特殊风机功能,由具体客户或者料号来确定

Model	P/N Code	Rated Voltage	Operating Voltage Range	Rated Current	Rated Input Power	Speed	Maximum Air Flow		Maximum Air Pressure		Noise
型号	P/N 附加码	额定电压	工作电压范围	额定电流	额定输入功率	转速	最大风量	最大风量	最大风压	最大风压	噪音
PART.NO.	AY	VDC	VDC	Amp	Watt	R.P.M	M³/min	CFM	mmH2O	InH2O	dB-A
BA9725H05S		5	1.8~3~6	0.58	2.9	8000	0.430	15.18	42.16	1.660	54.8
Custom Type		24	18~26.5	0.67	16.08	14100	0.806	28.47	166.33	6.548	68.5
	24	18~26.5	1.55	37.2	20000	1.049	37.05	271.09	9.579	74.0	



TKFAN®

UL US CE RoHS

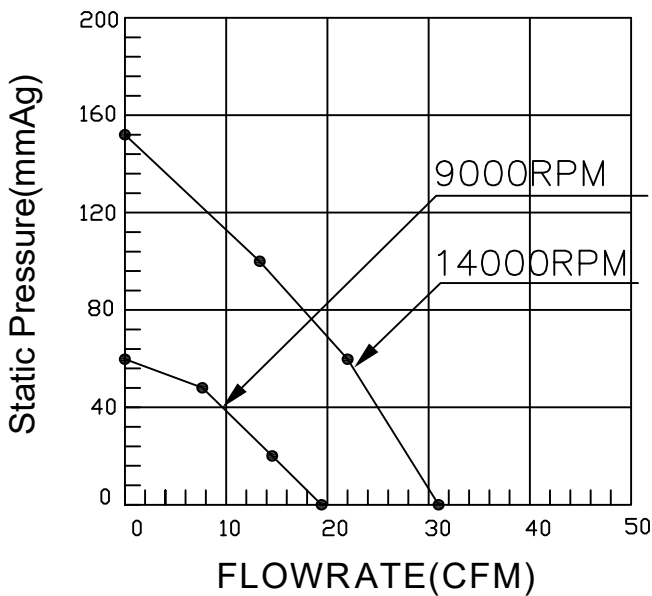
DC Brushless Blower 98X101.3x56.6mm-BType

版次Version 2022-3-11

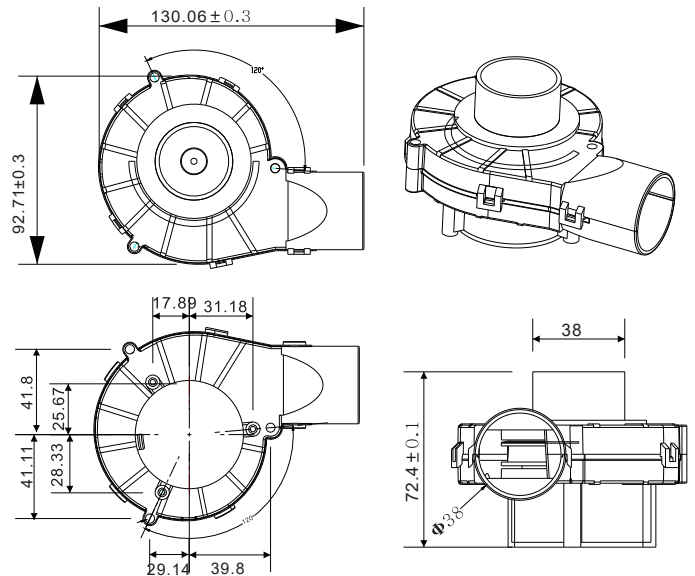
轴承结构：双滚珠
 Bearing: Two ball
 框外材质: 塑料(等级:UL94V-0)
 Frame:Plastic(Flammability:UL94V-0)
 扇叶材质:塑胶:(等级:UL94V-0)
 Impeller:Plastic:(Flammability:UL94V-0)
 风扇单重:214.7g(Weight:214.7g)



P@Q CURVE(AT RATEDVOLTAGE)



DIMENSIONS DRAWING(unit:mm)



编码规则 Code Rule

例子 Example DCH12038H12B-A1701
 DCH12038H12X-AY

Model No. is DCH12038H12X; Extro P/N code is AY

X means bearing type, can be S(sleeve bearing), can be B(ball bearing), can be Y(HY bearing), can be SU(sleeve with UL), can be BU(ball with UL), can be YU(HY with UL)

Y means special function code, it will be used for a certain parts no. or client.

产品型号 DCH12038H12X; 附加代码 AY. X是一个不确定值, 它代表了不同的轴承类型,

S(含油轴承), B(滚珠轴承), Y(液压轴承), SU(含油轴承带UL), BU(滚珠轴承带UL), YU(液压轴承带UL)

Y是一个不确定的值, 它代表不同特殊风机功能, 由具体客户或者料号来确定

Model	P/N Code	Rated Voltage	Operating Voltage Range	Rated Current	Rated Input Power	Speed	Maximum Air Flow		Maximum Air Pressure		Noise
型号	P/N 附加码	额定电压	工作电压范围	额定电流	额定输入功率	转速	最大风量		最大风压		噪音
PART.NO.	BY	VDC	VDC	Amp	Watt	R.P.M	M³/min	CFM	mmH2O	InH2O	dB-A
BA9725H12B		12	7.5-13.5	0.60	7.2	9000	0.56	19.7	58.2	2.30	59.9
BA9725LH12B		12	7.5-13.5	1.50	18	14000	0.88	30.9	153.2	6.03	68.6
BA9725H24B		24	18-26.5	0.30	7.2	9000	0.56	19.7	58.2	2.30	59.9
BA9725LH24B		24	18-26.5	0.75	18	14000	0.88	30.9	153.2	6.03	68.6



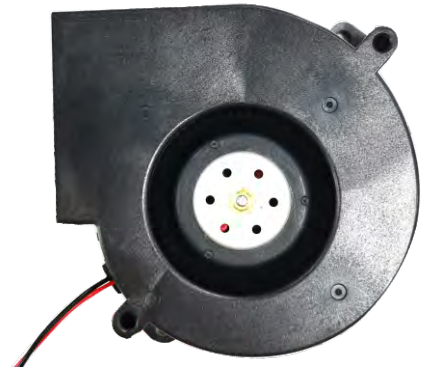
TKFAN®

UL US CE RoHS

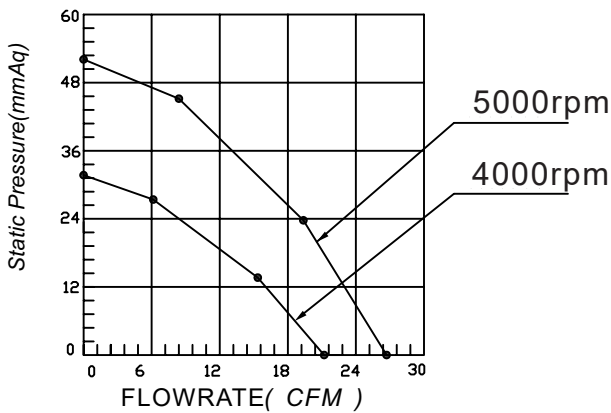
DC Brushless Blower 97x97x25mm-C Type

版次Version 2022-1-21

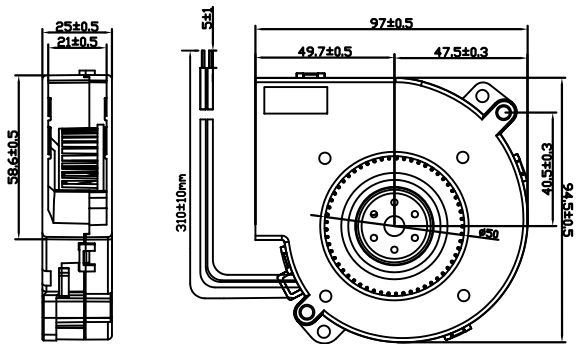
轴承结构：滚珠
 Bearing: ball
 框外材质: 塑料(等级:UL94V-0)
 Frame:Plastic(Flammability:UL94V-0)
 扇叶材质:塑胶:(等级:UL94V-0)
 Impeller:Plastic:(Flammability:UL94V-0)
 风扇单重:125g(Weight:125g)



P@Q CURVE(AT RATEDVOLTAGE)



DIMENSIONS DRAWING(unit:mm)



UNIT: mm / (INCH)

编码规则 Code Rule

例子 Example DCH12038H12B-DAH1701
DCH12038H12X-AY

Model No. is DCH12038H12X; Extro P/N code is AY
 X means bearing type, can be S(sleeve bearing), can be B(ball bearing), can be Y(HY bearing), can be SU(sleeve with UL), can be BU(ball with UL), can be YU(HY with UL)
 Y means special function code, it will be used for a certain parts no. or client.
 产品型号 DCH12038H12X;附加代码 AY. X是一个不确定值,它代表了不同的轴承类型,
 S(含油轴承),B(滚珠轴承),Y(液压轴承),SU(含油轴承带UL),BU(滚珠轴承带UL),YU(液压轴承带UL)
 Y是一个不确定的值,它代表不同特殊风机功能,由具体客户或者料号来确定

Model	P/N Code	Rated Voltage	Operationg Voltage Range	Rated Current	Rated Input Power	Speed	Maximum Air Flow		Maximum Air Pressure		Noise
型号	P/N 附加码	额定电压	工作电压范	额定电流	额定输入功率	转速	最大风量		最大风压		噪音
PART.NO.	CY	VDC	VDC	Amp	Watt	R.P.M	M³/min	CFM	mmH2O	InH2O	dB-A
BA9725H12X		12	7.5~13.5	0.51	6.12	4000	0.60	21.2	31.7	1.25	52.5
BA9725HH12X		12	7.5~13.5	1.05	12.6	5000	0.76	26.7	52.1	2.05	57.3
BA9725H24X		24	18~26.5	0.26	6.12	4000	0.60	21.2	31.7	1.25	52.5
BA9725HH24X		24	18~26.5	0.53	12.6	5000	0.76	26.7	52.1	2.05	57.3
BA9725H48X		48	36~54	0.13	6.12	4000	0.60	21.2	31.7	1.25	52.5
BA9725HH48X		48	36~54	0.27	12.6	5000	0.76	26.7	52.1	2.05	57.3



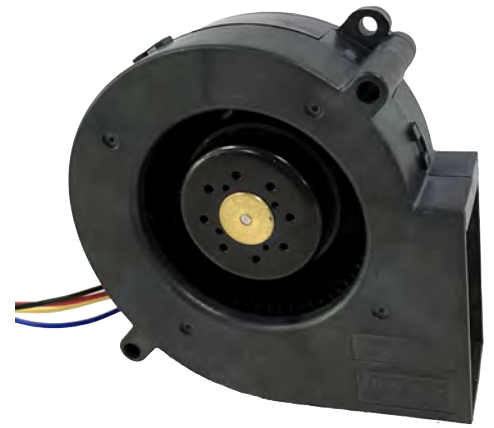
TKFAN®

UL US CE RoHS

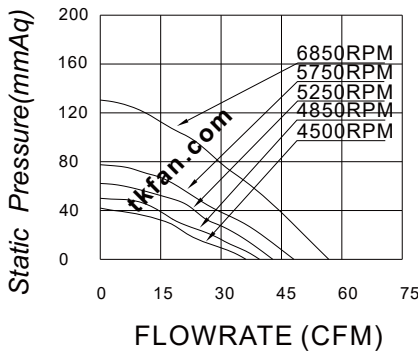
DC Brushless Blower 97x97x33mm-B Type

版次Version 2019-3-8

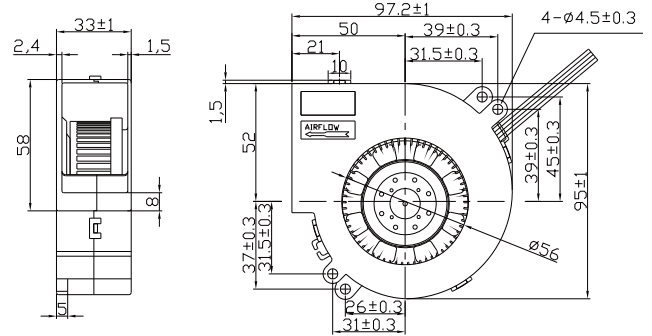
轴承结构：滚珠
Bearing: Ball
框外材质: 塑胶(等级:UL94V-0)
Frame:Plastic(Flammability:UL94V-0)
扇叶材质:塑胶:(等级:UL94V-0)
Impeller:Plastic:(Flammability:UL94V-0)
风扇单重:200g(Weight:200g)



P@Q CURVE(AT RATEDVOLTAGE)



DIMENSIONS DRAWING(unit:mm)



编码规则 Code Rule

例子 Example DCH12038H12B-DCH1701
DCH12038H12X-AY

Model No. is DCH12038H12X; Extro P/N code is AY

X means bearing type, can be S(sleeve bearing), can be B(ball bearing), can be Y(HY bearing), can be SU(sleeve with UL), can be BU(ball with UL), can be YU(HY with UL)

Y means special function code, it will be used for a certain parts no. or client.

产品型号 DCH12038H12X;附加代码 AY. X是一个不确定值,它代表了不同的轴承类型,

S(含油轴承),B(滚珠轴承),Y(液压轴承),SU(含油轴承带UL),BU(滚珠轴承带UL),YU(液压轴承带UL)

Y是一个不确定的值,它代表不同特殊风机功能,由具体客户或者料号来确定

Model	P/N Code	Rated Voltage	Operationg Voltage Range	Rated Current	Rated Input Power	Speed	Maximum Air Flow		Maximum Air Pressure		Noise
型号	P/N 附加码	额定电压	工作电压范围	额定电流	额定输入功率	转速	最大风量		最大风压		噪音
PART.NO.	BY	VDC	VDC	Amp	Watt	R.P.M	M³/min	CFM	mmH2O	InH2O	dB-A
BA9733VH12X		12	7~13.8	3.4	40.8	6850	1.61	56.8	130.49	5.14	66
BA9733HH12X		12	7~13.8	1.8	21.6	5750	1.34	47.3	77.47	3.052	61
BA9733H12X		12	7~13.8	1.4	16.8	5250	1.22	43.1	62.18	2.45	59
BA9733M12X		12	7~13.8	1.1	13.2	4850	1.11	39.2	49.95	1.968	57
BA9733L12X		12	7~13.8	0.9	10.8	4500	1.04	36.7	41.79	1.647	56
BA9733VH24X		24	21.6~26.4	1.62	38.88	6850	1.61	56.8	130.49	5.14	66
BA9733HH24X		24	12~26.4	0.83	19.9	5750	1.34	47.3	77.47	3.052	61
BA9733H24X		24	12~26.4	0.70	16.8	5250	1.22	43.1	62.18	2.45	59
BA9733M24X		24	12~26.4	0.55	13.2	4850	1.11	39.2	49.95	1.968	57
BA9733L24X		24	12~26.4	0.45	10.8	4500	1.04	36.7	41.79	1.647	56



TKFAN®

UL US CE RoHS

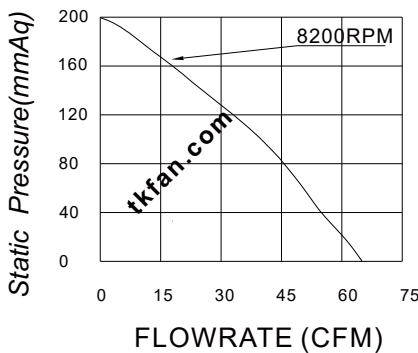
DC Brushless Blower 97x97x33mm-B Type

版次Version 2019-3-8

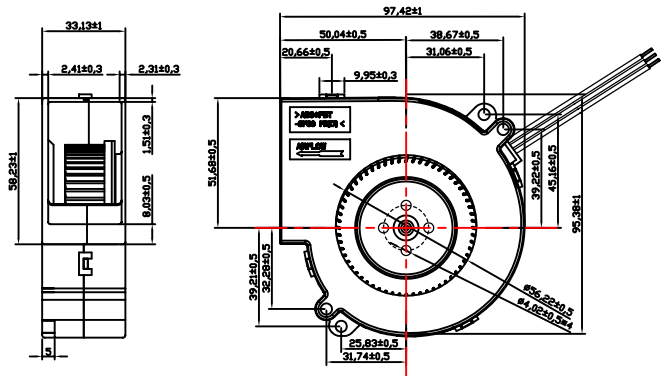
轴承结构：滚珠
 Bearing: Ball
 框外材质: 塑胶(等级:UL94V-0)
 Frame:Plastic(Flammability:UL94V-0)
 扇叶材质:塑胶:(等级:UL94V-0)
 Impeller:Plastic:(Flammability:UL94V-0)
 风扇单重:200g(Weight:200g)



P@Q CURVE(AT RATEDVOLTAGE)



DIMENSIONS DRAWING(unit:mm)



编码规则 Code Rule

例子 Example DCH12038H12B-DCH1701
 DCH12038H12X-AY

Model No. is DCH12038H12X; Extro P/N code is AY

X means bearing type, can be S(sleeve bearing), can be B(ball bearing), can be Y(HY bearing), can be SU(sleeve with UL), can be BU(ball with UL), can be YU(HY with UL)

Y means special function code, it will be used for a certain parts no. or client.

产品型号 DCH12038H12X;附加代码 AY. X是一个不确定值,它代表了不同的轴承类型,

S(含油轴承),B(滚珠轴承),Y(液压轴承),SU(含油轴承带UL),BU(滚珠轴承带UL),YU(液压轴承带UL)

Y是一个不确定的值,它代表不同特殊风机功能,由具体客户或者料号来确定

Model	P/N Code	Rated Voltage	Operating Voltage Range	Rated Current	Rated Input Power	Speed	Maximum Air Flow		Maximum Air Pressure		Noise
型号	P/N 附加码	额定电压	工作电压范围	额定电流	额定输入功率	转速	最大风量		最大风压		噪音
PART.NO.	BY	VDC	VDC	Amp	Watt	R.P.M	M ³ /min	CFM	mmH2O	InH2O	dB-A
BA9733HV12X		12	10.8~13.2	6.2	74.4	8200	1.85	65.3	198.77	7.83	69
BA9733HV24X		24	21.6~26.4	3.1	74.4	8200	1.85	65.3	198.77	7.83	69



TKFAN®

UL US CE RoHS

DC Brushless Blower 120x120x32mm-C Type

版次 Version 2023-3-14



轴承结构：滚珠

Bearing: Ball

框外材质: 蜗壳: 塑胶; 底板: 铁板(等级: UL94V-0)

Frame: Volute: plastic(Flammability: UL94V-0)

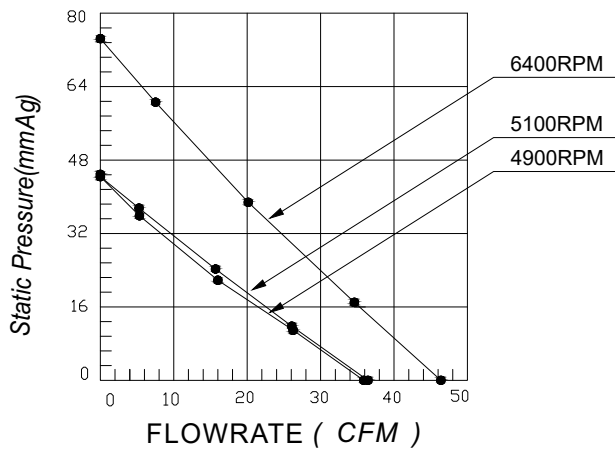
Base plate: iron plate

扇叶材质: 塑胶:(等级: UL94V-0)

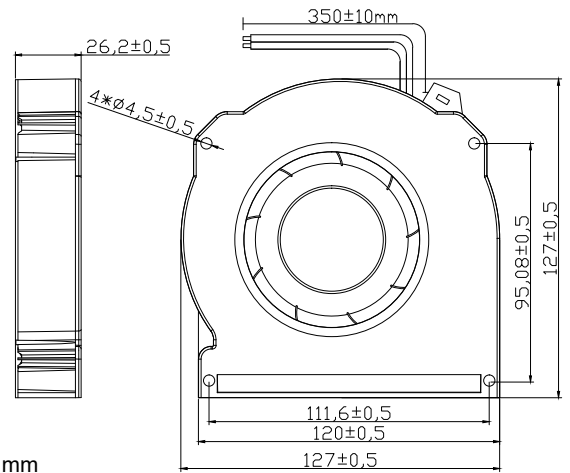
Impeller: Plastic:(Flammability: UL94V-0)

风扇单重: 270g(Weight: 270g)

P@Q CURVE(AT RATED VOLTAGE)



DIMENSIONS DRAWING(unit:mm)



UNIT: mm (INCH)

编码规则 Code Rule

例子 Example DCH12038H12B-DAH1701
DCH12038H12X-AY

Model No. is DCH12038H12X; Extro P/N code is AY
 X means bearing type, can be S(sleeve bearing), can be B(ball bearing), can be Y(HY bearing), can be SU(sleeve with UL), can be BU(ball with UL), can be YU(HY with UL)
 Y means special function code, it will be used for certain parts no. or client.
 产品型号 DCH12038H12X; 附加代码 AY. X是一个不确定值, 它代表了不同的轴承类型, S(含油轴承), B(滚珠轴承), Y(液压轴承), SU(含油轴承带UL), BU(滚珠轴承带UL), YU(液压轴承带UL)
 Y是一个不确定的值, 它代表不同特殊风机功能, 由具体客户或者料号来确定

Model	P/N Code	Rated Voltage	Operationg Voltage Range	Rated Current	Rated Input Power	Speed	Maximum Air Flow		Maximum Air Pressure		Noise
型号	P/N 附加码	额定电压	工作电压范围	额定电流	额定输入功率	转速	最大风量		最大风压		噪音
PART.NO.	CY	VDC	VDC	Amp	Watt	R.P.M	M³/min	CFM	mmH2O	InH2O	dB-A
BA12032H12X		12	7.5~13.5	0.6	7.2	4800	0.99	34.8	39.8	1.57	62.5
BA12032HH12X		12	7.5~13.5	0.8	9.6	5100	1.03	36.4	44.3	1.75	64.0
BA12032HHV12X		12	7.5~13.5	1.56	18.7	6400	1.31	46.3	74.3	2.93	69.2
BA12032H24X		24	18~26.5	0.3	7.2	4800	0.99	34.8	39.8	1.57	62.5
BA12032HH24X		24	18~26.5	0.4	9.6	5100	1.03	36.4	44.3	1.75	64.0
BA12032HHV24X		24	18~26.5	0.78	18.7	6400	1.31	46.3	74.3	2.93	69.2
BA12032H48X		48	36~54	0.15	7.2	4800	0.99	34.8	39.8	1.57	62.5
BA12032HH48X		48	36~54	0.2	9.6	5100	1.03	36.4	44.3	1.75	64.0
BA12032HHV48X		48	36~54	0.39	18.7	6400	1.31	46.3	74.3	2.93	69.2



TKFAN®

CE RoHS

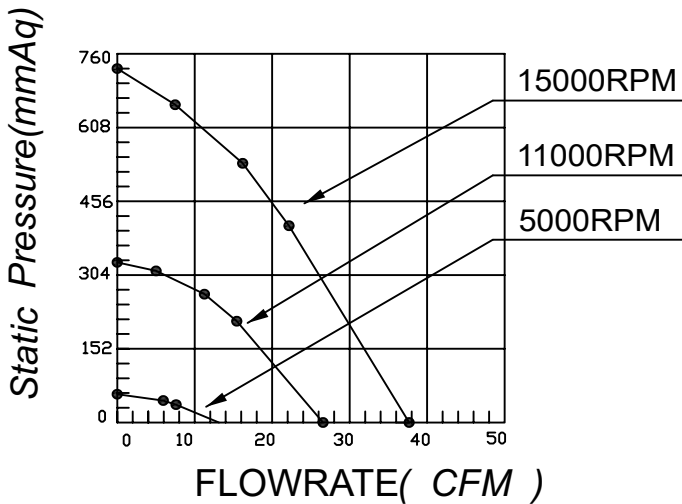
DC Brushless Blower 120x120x60mm-A Type

版次Version 2023-2-9

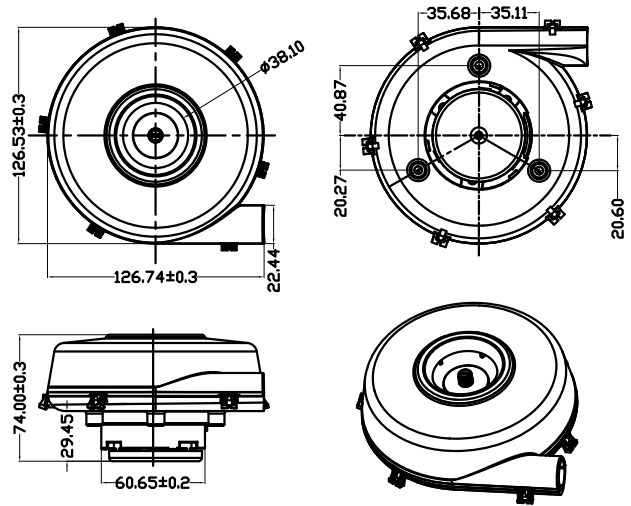
轴承结构：双滚珠
Bearing: Two ball
框外材质: 上蜗壳PC,下蜗壳铝(等级:UL94V-0)
Frame:Upper volute PC, lower volute aluminum(Flammability:UL94V-0)
扇叶材质:铝(等级:UL94V-0)
Impeller:Aluminum(Flammability:UL94V-0)
风扇单重:561g(Weight:561g)



P@Q CURVE(AT RATEDVOLTAGE)



DIMENSIONS DRAWING(unit:mm)



编码规则 Code Rule

例子 Example DCH12038H12B-DAH1701
DCH12038H12X-AY

Model No. is DCH12038H12X; Extro P/N code is AY
 X means bearing type, can be S(sleeve bearing), can be B(ball bearing), can be Y(HY bearing), can be SU(sleeve with UL), can be BU(ball with UL), can be YU(HY with UL)
 Y means special function code, it will be used for a certain parts no. or client.
 产品型号 DCH12038H12X;附加代码AY. X是一个不确定值,它代表了不同的轴承类型, S(含油轴承),B(滚珠轴承),Y(液压轴承),SU(含油轴承带UL),BU(滚珠轴承带UL),YU(液压轴承带UL)
 Y是一个不确定的值,它代表不同特殊风机功能,由具体客户或者料号来确定

UNIT: $\frac{mm}{(INCH)}$

Model	P/N Code	Rated Voltage	Operating Voltage Range	Rated Current	Rated Input Power	Speed	Maximum Air Flow		Maximum Air Pressure		Noise
型号	P/N 附加码	额定电压	工作电压范围	额定电流	额定输入功率	转速	最大风量		最大风压		噪音
PART.NO.	AY	VDC	VDC	Amp	Watt	R.P.M	M³/min	CFM	mmH2O	InH2O	dB-A
BA12060H12B		12	7.5 ~13.5	0.56	6.7	5000	0.368	13.0	57.1	2.25	57.1
BA12060HH12B		12	7.5 ~13.5	5.0	60	11000	0.744	26.3	326.8	12.87	67.4
BA12060H24B		24	18 ~26.5	0.28	6.7	5000	0.368	13.0	57.1	2.25	57.1
BA12060HH24B		24	18 ~26.5	2.5	60	11000	0.744	26.3	326.8	12.87	67.4
BA12060HV24B		24	18 ~26.5	6.2	148.8	15000	1.056	37.3	752.0	29.61	71.9



TKFAN®

UL US CE RoHS

DC Brushless Blower 120x120x60mm-B Type

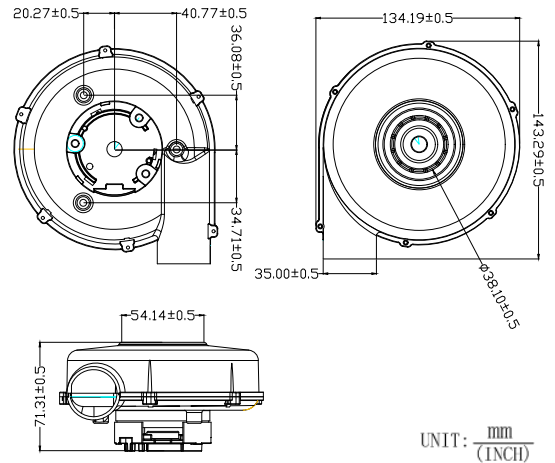
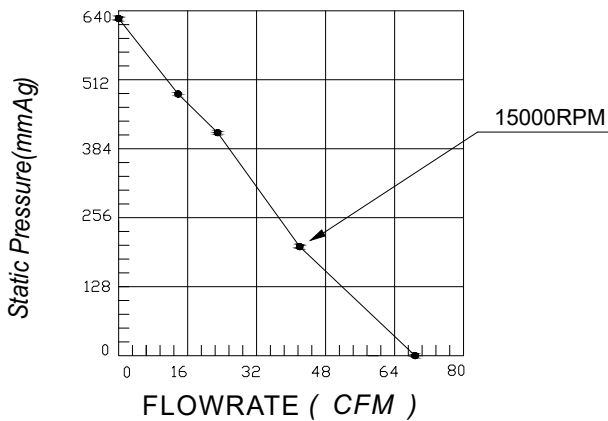
版次 version 2023-5-30

轴承结构：双滚珠
 Bearing: Two ball
 框外材质: 铝(等级:UL94V-0)
 Frame:Aluminum(Flammability:UL94V-0)
 扇叶材质:铝(等级:UL94V-0)
 Impeller:Aluminum:(Flammability:UL94V-0)
 风扇单重:733g(Weight:733 g)



P@Q CURVE(AT RATEDVOLTAGE)

DIMENSIONS DRAWING(unit:mm)



编码规则 Code Rule

例子 Example DCH12038H12B-DAH1701
 DCH12038H12X-AY

Model No. is DCH12038H12X; Extro P/N code is AY
 X means bearing type, can be S(sleeve bearing), can be B(ball bearing), can be Y(HY bearing), can be SU(sleeve with UL), can be BU(ball with UL), can be YU(HY with UL)
 Y means special function code, it will be used for a certain parts no. or client.
 产品型号 DCH12038H12X;附加代码 AY. X是一个不确定值,它代表了不同的轴承类型,
 S(含油轴承),B(滚珠轴承),Y(液压轴承),SU(含油轴承带UL),BU(滚珠轴承带UL),YU(液压轴承带UL)
 Y是一个不确定的值,它代表不同特殊风机功能,由具体客户或者料号来确定

Model	P/N Code	Rated Voltage	Operating Voltage Range	Rated Current	Rated Input Power	Speed	Maximum Air Flow		Maximum Air Pressure		Noise
型号	P/N 附加码	额定电压	工作电压范围	额定电流	额定输入功率	转速	最大风量		最大风压		噪音
PART.NO.	BY	VDC	VDC	Amp	Watt	R.P.M	M³/min	CFM	mmH2O	InH2O	dB-A
BA12060HV24B			24	18~26.5	6.5	156	15000	1.92	67.88	638	25.13



TKFAN®

UL US CE RoHS

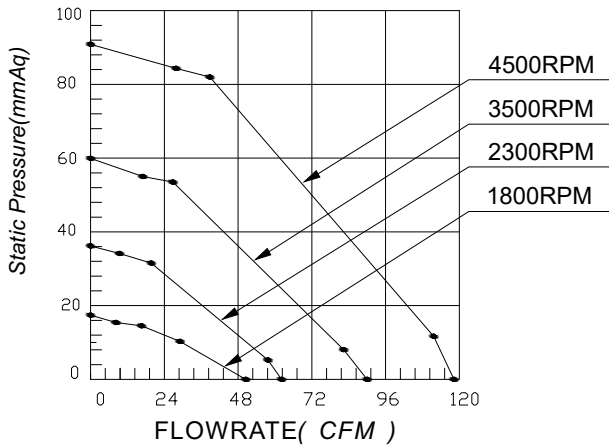
DC Brushless Blower 160x160x40mm-A Type

版次 Version 2023-3-1

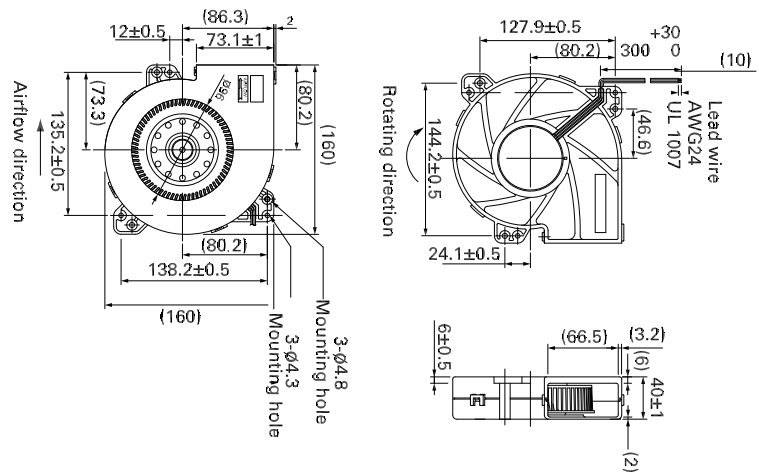
- 轴承结构：滚珠
- Bearing: Ball
- 框外材质: 塑料(等级:UL94V-0)
- Frame:Plastic(Flammability:UL94V-0)
- 扇叶材质:塑胶:(等级:UL94V-0)
- Impeller:Plastic:(Flammability:UL94V-0)
- 风扇单重:580g(Weight:580g)



P@Q CURVE(AT RATEDVOLTAGE)



DIMENSIONS DRAWING(unit:mm)



编码规则 Code Rule

例子 Example DCH12038H12B-DAH1701
DCH12038H12X-AY

Model No. is DCH12038H12X; Extro P/N code is AY
 X means bearing type, can be S(sleeve bearing), can be B(ball bearing), can be Y(HY bearing), can be SU(sleeve with UL), can be BU(ball with UL), can be YU(HY with UL)
 Y means special function code, it will be used for a certain parts no. or client.
 产品型号 DCH12038H12X;附加代码 AY. X是一个不确定值,它代表了不同的轴承类型,
 S(含油轴承),B(滚珠轴承),Y(液压轴承),SU(含油轴承带UL),BU(滚珠轴承带UL),YU(液压轴承带UL)
 Y是一个不确定的值,它代表不同特殊风机功能,由具体客户或者料号来确定

UNIT: mm (INCH)

Model	P/N Code	Rated Voltage	Operating Voltage Range	Rated Current	Rated Input Power	Speed	Maximum Air Flow		Maximum Air Pressure		Noise
型号	P/N 附加码	额定电压	工作电压范围	额定电流	额定输入功率	转速	最大风量		最大风压		噪音
PART.NO.		VDC	VDC	Amp	Watt	R.P.M	M³/min	CFM	mmH2O	InH2O	dB-A
BA16040H12X	AY	12	7.5~13.5	0.8	9.6	1800	1.45	50.0	17.2	0.68	50.9
BA16040HH12X		12	7.5~13.5	1.4	16.8	2300	1.74	61.5	35.8	1.41	55.3
BA16040VH12X		12	7.5~13.5	4.8	57.6	3500	2.29	89.1	59.4	2.34	64.2
BA16040HV12X		12	7.5~13.5	8.0	96	4500	3.31	117.1	90.1	3.55	71.4
BA16040H24X		24	18~26.5	0.4	9.6	1800	1.45	50.0	17.2	0.68	50.9
BA16040HH24X		24	18~26.5	0.7	16.8	2300	1.74	61.5	35.8	1.41	55.3
BA16040VH24X		24	18~26.5	2.4	57.6	3500	2.29	89.1	59.4	2.34	64.2
BA16040HV24X		24	18~26.5	4.0	96	4500	3.31	117.1	90.1	3.55	71.4
BA16040H48X		48	36~54	0.2	9.6	1800	1.45	50.0	17.2	0.68	50.9
BA16040HH48X		48	36~54	0.35	16.8	2300	1.74	61.5	35.8	1.41	55.3
BA16040VH48X		48	36~54	1.2	57.6	3500	2.29	89.1	59.4	2.34	64.2
BA16040HV48X		48	36~54	2	96	4500	3.31	117.1	90.1	3.55	71.4



TKFAN®

EB

C US RoHS

DC Brushless Blower 180x180x40mm-A Type

版次 Version 2023-6-7



轴承结构：滚珠

Bearing: Ball

框外材质: 蜗壳: 塑胶; 底板: 铁板(等级: UL94V-0)

Frame: Volute: plastic

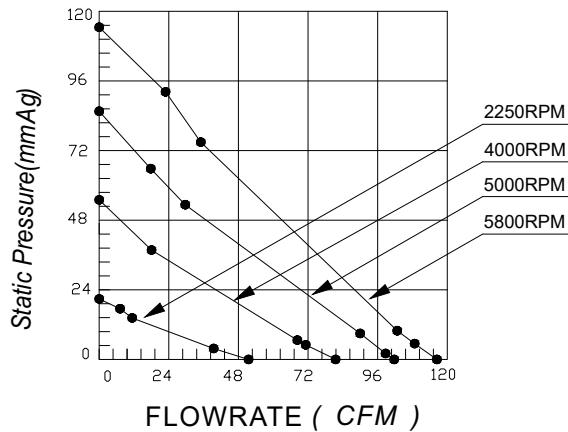
Base plate: iron plate(Flammability: UL94V-0)

扇叶材质: 塑胶:(等级: UL94V-0)

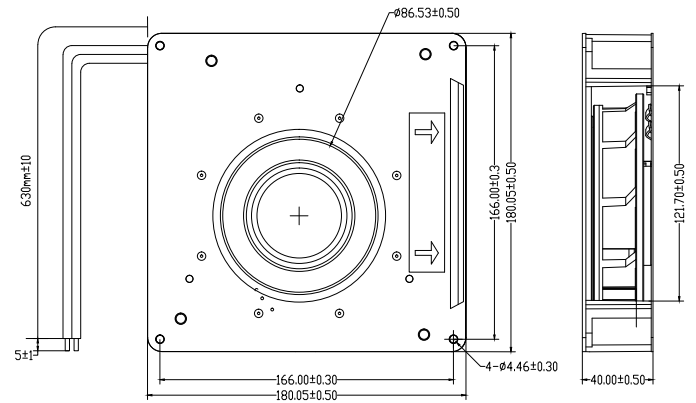
Impeller: Plastic:(Flammability: UL94V-0)

风扇单重: 750g(Weight: 750g)

P@Q CURVE(AT RATED VOLTAGE)



DIMENSIONS DRAWING(unit:mm)



UNIT: $\frac{mm}{(INCH)}$

编码规则 Code Rule

例子 Example DCH12038H12B-DAH1701
DCH12038H12X-AY

Model No. is DCH12038H12X; Extro P/N code is AY
 X means bearing type, can be S(sleeve bearing), can be B(ball bearing), can be Y(HY bearing), can be SU(sleeve with UL), can be BU(ball with UL), can be YU(HY with UL)
 Y means special function code, it will be used for a certain parts no. or client.
 产品型号 DCH12038H12X; 附加代码 AY. X是一个不确定值, 它代表了不同的轴承类型,
 S(含油轴承), B(滚珠轴承), Y(液压轴承), SU(含油轴承带UL), BU(滚珠轴承带UL), YU(液压轴承带UL)
 Y是一个不确定的值, 它代表不同特殊风机功能, 由具体客户或者料号来确定

Model	P/N Code	Rated Voltage	Operationg Voltage Range	Rated Current	Rated Input Power	Speed	Maximum Air Flow		Maximum Air Pressure		Noise
型号	P/N 附加码	额定电压	工作电压范围	额定电流	额定输入功率	转速	最大风量		最大风压		噪音
PART.NO.	AY	VDC	VDC	Amp	Watt	R.P.M	M³/min	CFM	mmH2O	InH2O	dB-A
BA18040H12X		12	7.5 ~13.5	0.34	4.08	2250	1.444	51	20.6	0.811	53.3
BA18040HH12X		12	7.5 ~13.5	1.2	14.4	4000	2.285	80.7	54.5	2.146	63.2
BA18040VH12X		12	7.5 ~13.5	2.5	30	5000	2.851	100.7	84.7	3.336	67.6
BA18040HV12X		12	7.5 ~13.5	3.7	44.4	5800	3.264	115.3	113.4	4.467	70.1
BA18040H24X		24	18 ~26.5	0.17	4.08	2250	1.444	51	20.6	0.811	53.3
BA18040HH24X		24	18 ~26.5	0.6	14.4	4000	2.285	80.7	54.5	2.146	63.2
BA18040VH24X		24	18 ~26.5	1.25	30	5000	2.851	100.7	84.7	3.336	67.6
BA18040HV24X		24	18 ~26.5	1.85	44.4	5800	3.264	115.3	113.4	4.467	70.1
BA18040H48X		48	36 ~54	0.085	4.08	2250	1.444	51	20.6	0.811	53.3
BA18040HH48X		48	36 ~54	0.3	14.4	4000	2.285	80.7	54.5	2.146	63.2
BA18040VH48X		48	36 ~54	0.625	30	5000	2.851	100.7	84.7	3.336	67.6
BA18040HV48X		48	36 ~54	0.925	44.4	5800	3.264	115.3	113.4	4.467	70.1



TKFAN®

UL US CE RoHS

DC Centrifugal FAN Ø70x20mm-AType

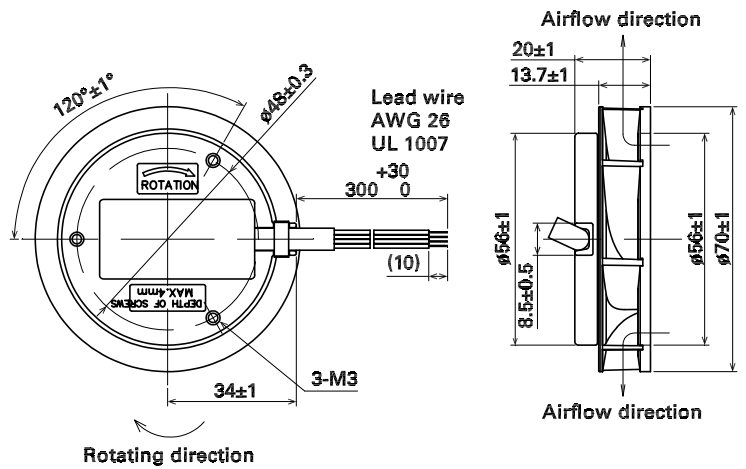
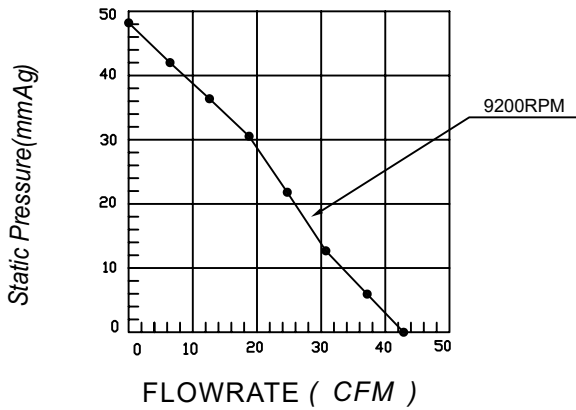
版次 Version 2022-10-13



轴承结构：双滚珠
 Bearing: two ball
 框外材质: 铝(等级:UL94V-0)
 Frame:Aluminum(Flammability:UL94V-0)
 扇叶材质:塑胶:(等级:UL94V-0)
 Impeller:Plastic:(Flammability:UL94V-0)
 风扇单重:90g(Weight:90g)

P@Q CURVE(AT RATEDVOLTAGE)

DIMENSIONS DRAWING(unit:mm)



编码规则 Code Rule

例子 Example DCH12038H12B-DAH1701
DCH12038H12X-AY

Model No. is DCH12038H12X; Extro P/N code is AY
 X means bearing type, can be S(sleeve bearing), can be B(ball bearing), can be Y(HY bearing), can be SU(sleeve with UL), can be BU(ball with UL), can be YU(HY with UL)
 Y means special function code, it will be used for a certain parts no. or client.
 产品型号 DCH12038H12X;附加代码 AY. X是一个不确定值,它代表了不同的轴承类型,
 S(含油轴承),B(滚珠轴承),Y(液压轴承),SU(含油轴承带UL),BU(滚珠轴承带UL),YU(液压轴承带UL)
 Y是一个不确定的值,它代表不同特殊风机功能,由具体客户或者料号来确定

Model	P/N Code	Rated Voltage	Operationg Voltage Range	Rated Current	Rated Input Power	Speed	Maximum Air Flow		Maximum Air Pressure		Noise
型号	P/N 附加码	额定电压	工作电压范围	额定电流	额定输入功率	转速	最大风量		最大风压		噪音
PART.NO.	AY	VDC	VDC	Amp	Watt	R.P.M	M³/min	CFM	mmH2O	InH2O	dB-A
CA7020H12X		12	7.5~13.5	1	12	9200	1.21	42.8	48.1	1.89	60.8
CA7020H24X		24	18~26.5	0.5	12	9200	1.21	42.8	48.1	1.89	60.8
CA7020H48X		48	36~54	0.25	12	9200	1.21	42.8	48.1	1.89	60.8



TKFAN®

EB
C US CE RoHS

DC Centrifugal FAN ø138x35mm-A Type

版次 Version 2023-2-9

轴承结构: 双滚珠

Bearing: Two ball

框外材质: 塑胶(等级 :UL 94V-0)

Frame:Plastic (Flammability: UL 94V-0)

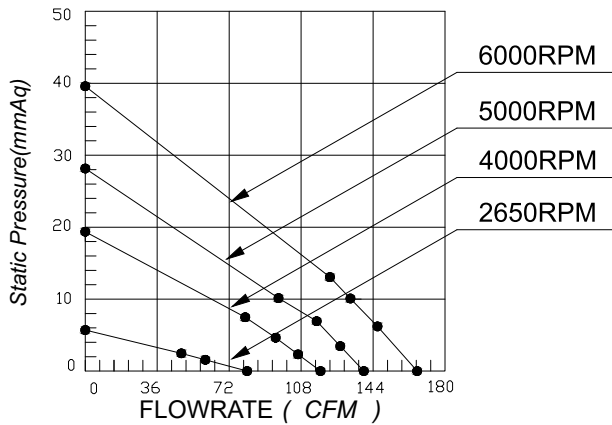
扇叶材质:塑胶、铝 :(等级:UL 94V-0)

Impeller:Plastic 、 Aluminum :(Flammability: UL 94V-0)

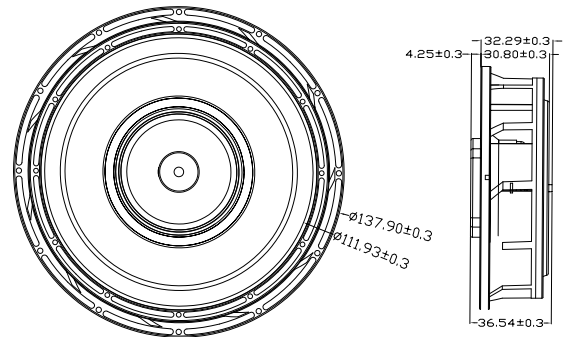
风扇单重: 305g(Weight:305g)



P@Q CURVE (AT RATED VOLTAGE)



DIMENSIONS DRAWING (unit:mm)



UNIT: $\frac{mm}{(INCH)}$

编码规则 Code Rule

例子 Example DCH 12038H12 B-DAH 1701
DCH 12038H12 X-AY

Model No. is DCH12038H12 X; Extro P/N code is AY

X means bearing type, can be S (sleeve bearing), can be B (ball bearing), can be Y (HY bearing), can be SU (sleeve with UL), can be BU (ball with UL), can be YU (HY with UL)

Y means special function code, it will be used for a certain parts no. or client.

产品型号 DCH12038H12 X; 附加代码 AY. X 是一个不确定值, 它代表了不同的轴承类型,

S (含油轴承), B (滚珠轴承), Y (液压轴承), SU (含油轴承带UL), BU (滚珠轴承带UL), YU (液压轴承带UL)

Y 是一个不确定的值, 它代表不同特殊风机功能, 由具体客户或者料号来确定

Model	P/N Code	Rated Voltage	Operating Voltage Range	Rated Current	Rated Input Power	Speed	Maximum Air Flow		Maximum Air Pressure		Noise
型号	P/N 附加码	额定电压	工作电压范围	额定电流	额定输入功率	转速	最大风量		最大风压		噪音
PART.NO.	AY	VDC	VDC	Amp	Watt	R.P.M	M³/min	CFM	mmH2O	InH2O	dB-A
CA13835H12X		12	7.5 ~13.5	0.42	5.04	2650	2.29	81.0	5.7	0.22	50.6
CA13835HH12X		12	7.5 ~13.5	1.2	14.4	4000	3.33	117.7	19.4	0.76	64.9
CA13835HV12X		12	7.5 ~13.5	2.4	28.8	5000	3.95	139.4	28.1	1.11	69.7
CA13835VH12X		12	7.5 ~13.5	3.8	45.6	6000	4.7	166.0	39.6	1.56	75.3
CA13835H24X		24	18 ~26.5	0.21	5.04	2650	2.29	81.0	5.7	0.22	50.6
CA13835HH24X		24	18 ~26.5	0.6	14.4	4000	3.33	117.7	19.4	0.76	64.9
CA13835HV24X		24	18 ~26.5	1.2	28.8	5000	3.95	139.4	28.1	1.11	69.7
CA13835VH24X		24	18 ~26.5	1.9	45.6	6000	4.7	166.0	39.6	1.56	75.3
CA13835H48X		48	36 ~54	0.11	5.04	2650	2.29	81.0	5.7	0.22	50.6
CA13835HH48X		48	36 ~54	0.3	14.4	4000	3.33	117.7	19.4	0.76	64.9
CA13835HV48X		48	36 ~54	0.6	28.8	5000	3.95	139.4	28.1	1.11	69.7
CA13835VH48X		48	36 ~54	0.95	45.6	6000	4.7	166.0	39.6	1.56	75.3



TKFAN®

US RoHS CE

DC Centrifugal FAN Ø175x69mm-BType

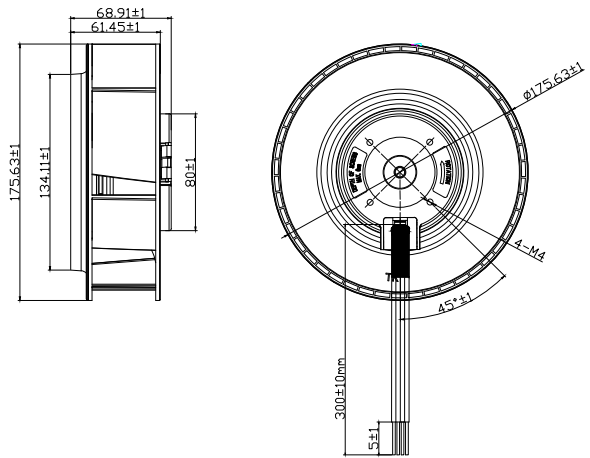
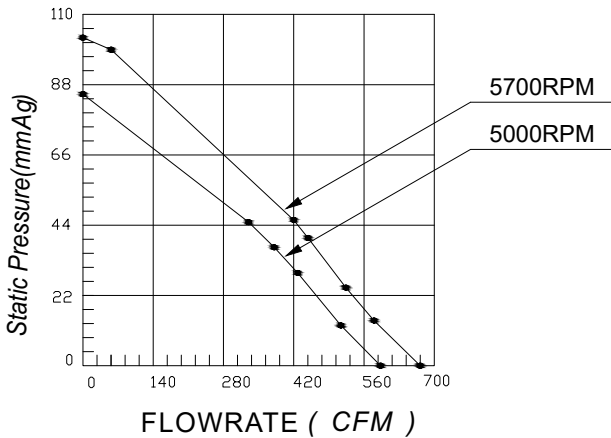
版次 Version 2023-8-1

- 轴承结构：双滚珠
- Bearing: Two ball
- 框外材质: 铝:(等级:UL94V-0)
- Frame:Aluminum(Flammability:UL94V-0)
- 扇叶材质:塑胶:(等级:UL94V-0)
- Impeller:Plastic:(Flammability:UL94V-0)
- 风扇单重:800g(Weight:800g)



P@QCURVE(AT RATEDVOLTAGE)

DIMENSIONS DRAWING(unit:mm)



编码规则 Code Rule

UNIT: $\frac{mm}{(INCH)}$

例子 Example DCH12038H12B-DAH1701
DCH12038H12X-AY

Model No. is DCH12038H12X; Extro P/N code is AY
 X means bearing type, can be S(sleeve bearing), can be B(ball bearing), can be Y(HY bearing), can be SU(sleeve with UL), can be BU(ball with UL), can be YU(HY with UL)
 Y means special function code, it will be used for a certain parts no. or client.
 产品型号 DCH12038H12X;附加代码 AY. X是一个不确定值,它代表了不同的轴承类型,
 S(含油轴承),B(滚珠轴承),Y(液压轴承),SU(含油轴承带UL),BU(滚珠轴承带UL),YU(液压轴承带UL)
 Y是一个不确定的值,它代表不同特殊风机功能,由具体客户或者料号来确定

Model	P/N Code	Rated Voltage	Operating Voltage Range	Rated Current	Rated Input Power	Speed	Maximum Air Flow		Maximum Air Pressure		Noise
型号	P/N 附加码	额定电压	工作电压范围	额定电流	额定输入功率	转速	最大风量		最大风压		噪音
PART.NO.	BY	VDC	VDC	Amp	Watt	R.P.M	M³/min	CFM	mmH2O	InH2O	dB-A
CA17569VH24X		24	18~26.5	5.0	120	5000	16.7	589.7	85.7	3.38	79
CA17569HV24X		24	18~26.5	7.6	182.4	5700	18.85	666	102.1	4.02	82.9
CA17569VH48X		48	36~54	2.5	120	5000	16.7	589.7	85.7	3.38	79
CA17569HV48X	48	36~54	3.8	182.4	5700	18.85	666	102.1	4.02	82.9	



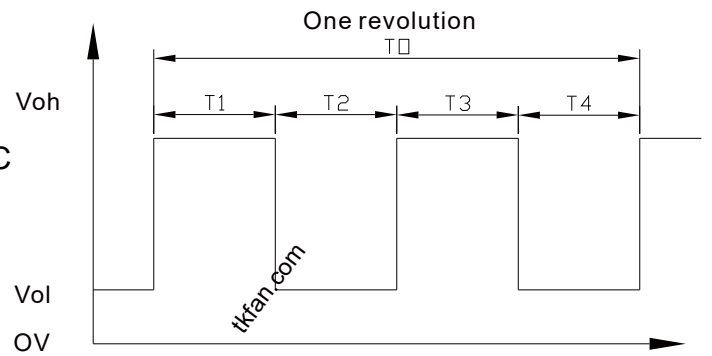
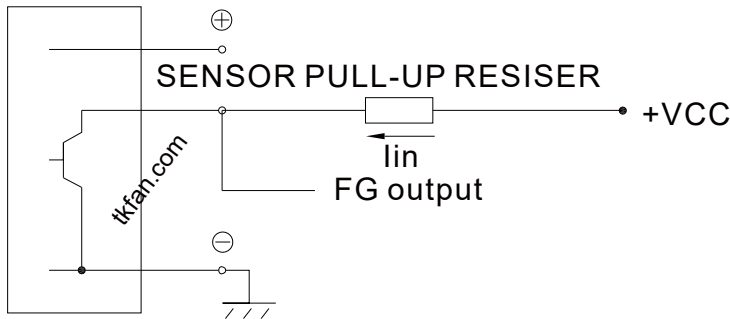
FG and RD Function Introduction

FG (Tach output type) Connection Diagram

Fan with FG function will create a square wave output. You can know fan speed by sensing the output wave Frequency. Most dc fan have four pole. So when fan run for one round, there will be two high level pulse. About other Multipole brushless fan, high level pulse will be different.

But please notice if you want to sense it's output wave, there is a external circuit. Please check the circuit Diagram below. There is no pull-up and VCC value limit. But please notice the Max lin have to be small than 20mA.

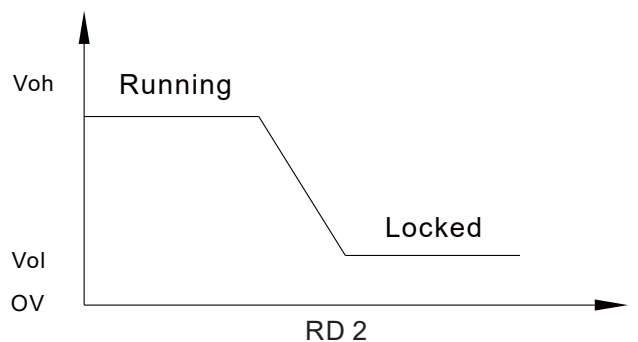
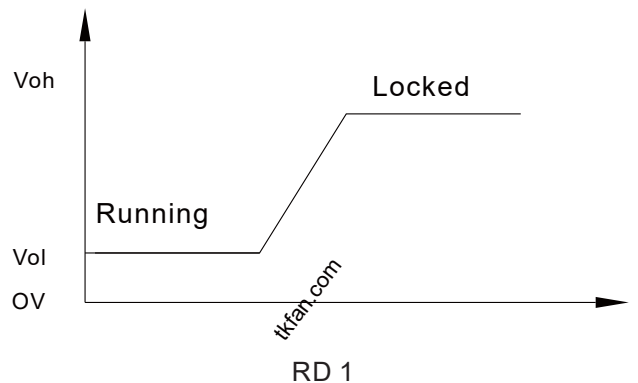
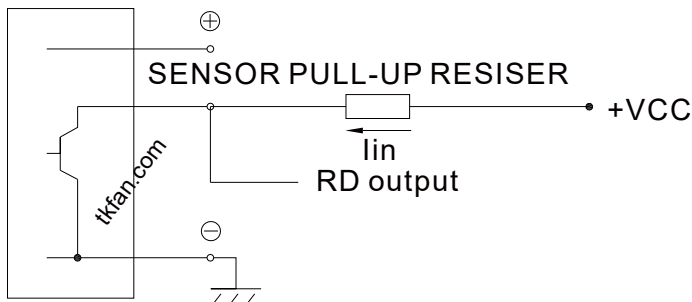
Inside of dcfan



RD (Alarm output) connection Diagram

Some fan have RD extra function. There is a alarm signal output when fan stop work. Please notice there are Two kinds of signal output. Different customer will need different alarm type. Please check the diagram below.

Inside of dcfan





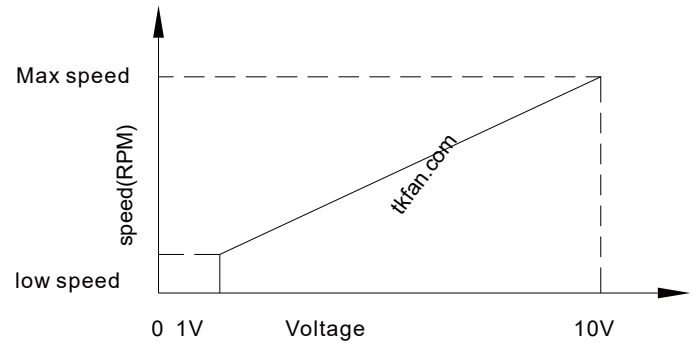
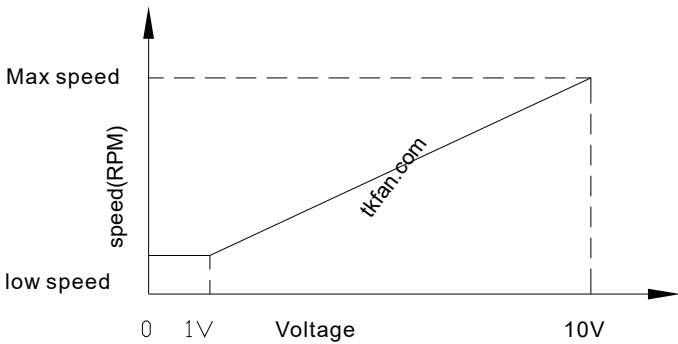
PWM FUNCTION INTRODUCTION

Connection diagram



PWM (DC Voltage control) Introduction

With this function, the speed can be controlled by applying an extra DC voltage signal. This voltage input "Vin" may have any value from 0V to 10V (0V~5V is ok too, it's depending on your application). Normally two kinds of "speed VS dc voltage curve" are used.



PWM (duty cycle control) Introduction

With this function, the speed can be controlled by applying a pulse width modulated signal whose frequency maybe in the range of 25k Hz~30k Hz. High voltage means 3~10V. Low voltage means 0~0.8V. Normally two kinds "Speed Vs duty cycle curve" are used.

