



TKFAN®

C  CE RoHS

# 产品目录

**深圳市腾凯特种机电有限公司**

地址：深圳市龙华区观澜街道环观南路  
105号金雄达科技园C栋五楼

邮编: 518110

邮箱: sales@tenkai-group.com

电话: 0086-0755-23126453

# CATALOG

**SHENZHEN TENKAI GROUP LIMITED**

Add: Floor 5, Building C, Jinxiongda  
industry park, guanlan street, Shenzhen  
City. P. R. CHINA

Post Code: 518110

Email: sales@tenkai-group.com

Phone: 0086-0755-23126453



TKFAN®

UL US CE RoHS

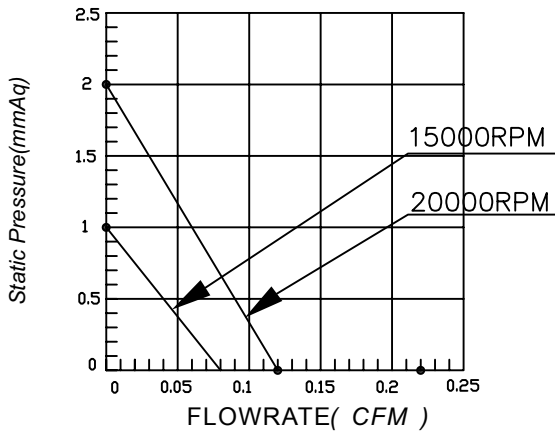
# DC Brushless FAN 15x15x4mm-A Type

版次Version 2021-12-27

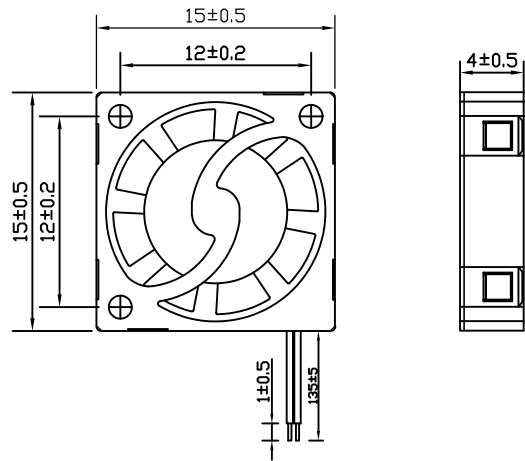
轴承结构：含油、液压、其他  
 Bearing: sleeve、HY、other  
 框外材质: 塑胶(等级:UL94V-0)  
 Frame:Plastic(Flammability:UL94V-0)  
 扇叶材质:塑胶:(等级:UL94V-0)  
 Impeller:Plastic:(Flammability:UL94V-0)  
 风扇单重:1.2g(Weight:1.2g)



## P@Q CURVE(AT RATEDVOLTAGE)



## DIMENSIONS DRAWING(unit:mm)



## 编码规则 Code Rule

例子 Example DCH12038H12B-DAH1701  
 DCH12038H12X-AY

Model No. is DCH12038H12X; Extro P/N code is AY

X means bearing type, can be S(sleeve bearing), can be B(ball bearing), can be Y(HY bearing), can be SU(sleeve with UL), can be BU(ball with UL), can be YU(HY with UL)

Y means special function code, it will be used for a certain parts no. or client.

产品型号 DCH12038H12X;附加代码 AY. X是一个不确定值,它代表了不同的轴承类型,

S(含油轴承),B(滚珠轴承),Y(液压轴承),SU(含油轴承带UL),BU(滚珠轴承带UL),YU(液压轴承带UL)

Y是一个不确定的值,它代表不同特殊风机功能,由具体客户或者料号来确定

Model	P/N Code	Rated Voltage	Operating Voltage Range	Rated Current	Rated Input Power	Speed	Maximum Air Flow		Maximum Air Pressure		Noise
型号	P/N 附加码	额定电压	工作电压范围	额定电流	额定输入功率	转速	最大风量		最大风压		噪音
PART.NO.	AY	VDC	VDC	Amp	Watt	R.P.M	M³/min	CFM	mmH2O	InH2O	dB-A
DA1504L33X		3.3	2~6	0.02	0.066	15000	0.002	0.08	1.00	0.04	24.7
DA1504L05X		5	2~6	0.03	0.150	20000	0.003	0.12	2.00	0.08	32.2



TKFAN®

UL US CE RoHS

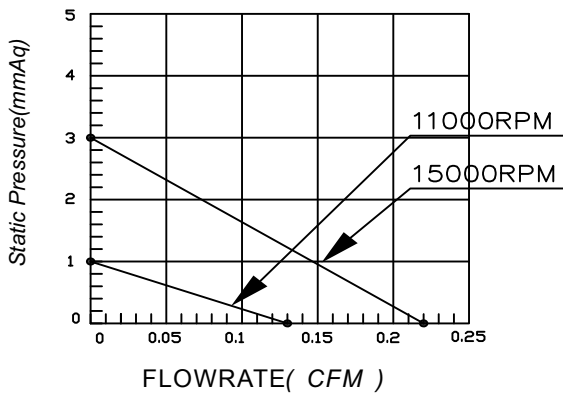
## DC Brushless FAN 18x18x4mm-A Type

版次Version 2021-12-10

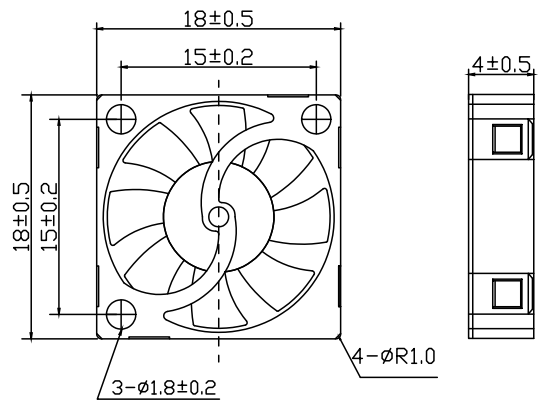
轴承结构：含油、液压、其他  
 Bearing: sleeve、HY、other  
 框外材质: 塑胶(等级:UL94V-0)  
 Frame:Plastic(Flammability:UL94V-0)  
 扇叶材质:塑胶:(等级:UL94V-0)  
 Impeller:Plastic:(Flammability:UL94V-0)  
 风扇单重:1.6g(Weight:1.6g)



### P@Q CURVE(AT RATEDVOLTAGE)



### DIMENSIONS DRAWING(unit:mm)



### 编码规则 Code Rule

例子 Example DCH12038H12B-DAH1701  
 DCH12038H12X-AY

Model No. is DCH12038H12X; Extro P/N code is AY

X means bearing type, can be S(sleeve bearing), can be B(ball bearing), can be Y(HY bearing), can be SU(sleeve with UL), can be BU(ball with UL), can be YU(HY with UL)

Y means special function code, it will be used for a certain parts no. or client.

产品型号 DCH12038H12X;附加代码 AY. X是一个不确定值,它代表了不同的轴承类型,

S(含油轴承),B(滚珠轴承),Y(液压轴承),SU(含油轴承带UL),BU(滚珠轴承带UL),YU(液压轴承带UL)

Y是一个不确定的值,它代表不同特殊风机功能,由具体客户或者料号来确定

Model	P/N Code	Rated Voltage	Operating Voltage Range	Rated Current	Rated Input Power	Speed	Maximum Air Flow		Maximum Air Pressure		Noise
型号	P/N 附加码	额定电压	工作电压范围	额定电流	额定输入功率	转速	最大风量		最大风压		噪音
PART.NO.	AY	VDC	VDC	Amp	Watt	R.P.M	M³/min	CFM	mmH2O	InH2O	dB-A
DA1804L33X		3.3	2~6	0.022	0.066	11000	0.0037	0.13	1.00	0.04	23.4
DA1804L05X		5	4~6	0.033	0.13	15000	0.0062	0.22	3.00	0.12	31.6



TKFAN®

UL US CE RoHS

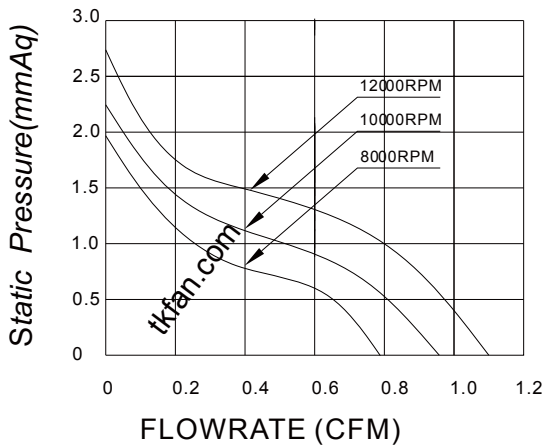
## DC Brushless FAN 20x20x6mm-A Type

版次Version 2017-4-12

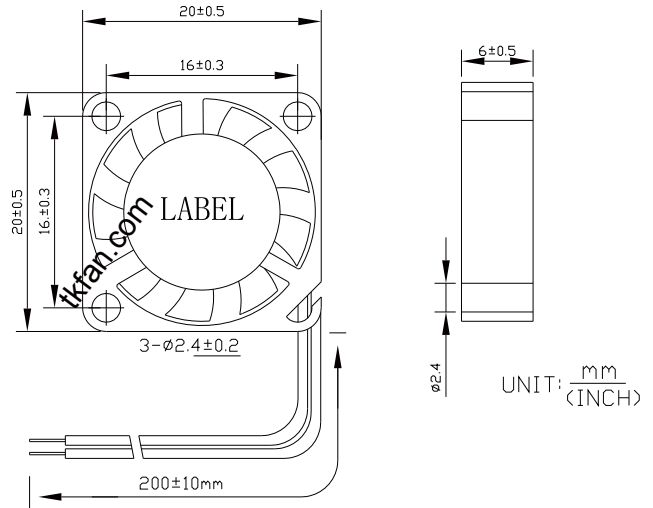
轴承结构：含油、液压、其他  
 Bearing: sleeve、HY、other  
 框外材质: 塑胶(等级:UL94V-0)  
 Frame:Plastic(Flammability:UL94V-0)  
 扇叶材质:塑胶:(等级:UL94V-0)  
 Impeller:Plastic:(Flammability:UL94V-0)  
 风扇单重:3.5g(Weight:3.5g)



### P@Q CURVE(AT RATEDVOLTAGE)



### DIMENSIONS DRAWING(unit:mm)



### 编码规则 Code Rule

例子 Example DCH12038H12B-DCH1701  
 DCH12038H12X-AY

Model No. is DCH12038H12X; Extro P/N code is AY

X means bearing type, can be S(sleeve bearing), can be B(ball bearing), can be Y(HY bearing), can be SU(sleeve with UL), can be BU(ball with UL), can be YU(HY with UL)

Y means special function code, it will be used for a certain parts no. or client.

产品型号 DCH12038H12X;附加代码 AY. X是一个不确定值,它代表了不同的轴承类型,

S(含油轴承),B(滚珠轴承),Y(液压轴承),SU(含油轴承带UL),BU(滚珠轴承带UL),YU(液压轴承带UL)

Y是一个不确定的值,它代表不同特殊风机功能,由具体客户或者料号来确定

Model	P/N Code	Rated Voltage	Operating Voltage Range	Rated Current	Rated Input Power	Speed	Maximum Air Flow		Maximum Air Pressure		Noise
型号	P/N 附加码	额定电压	工作电压范围	额定电流	额定输入功率	转速	最大风量		最大风压		噪音
PART.NO.	AY	VDC	VDC	Amp	Watt	R.P.M	M³/min	CFM	mmH2O	InH2O	dB-A
DA2006L05X		5	1.8~3~6	0.08	0.4	8000	0.022	0.79	1.95	0.077	21.5
DA2006M05X		5	1.8~3~6	0.12	0.6	10000	0.027	0.95	2.22	0.087	25.6
DA2006H05X		5	1.8~3~6	0.16	0.8	12000	0.032	1.12	2.69	0.106	31.2
DA2006L12X		12	8.5~13.5	0.04	0.48	8000	0.022	0.79	1.95	0.077	21.5
DA2006M12X		12	8.5~13.5	0.06	0.72	10000	0.027	0.95	2.22	0.087	25.6
DA2006H12X		12	8.5~13.5	0.1	1.2	12000	0.032	1.12	2.69	0.106	31.2



TKFAN®

C US CE RoHS

# DC Brushless FAN 20x20x10mm-A Type

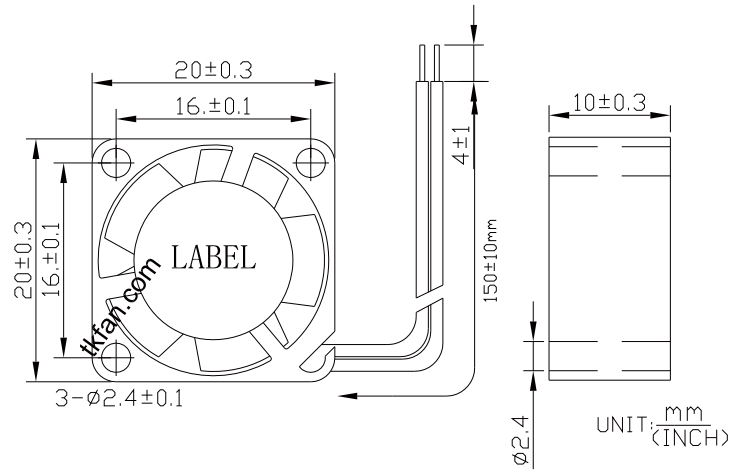
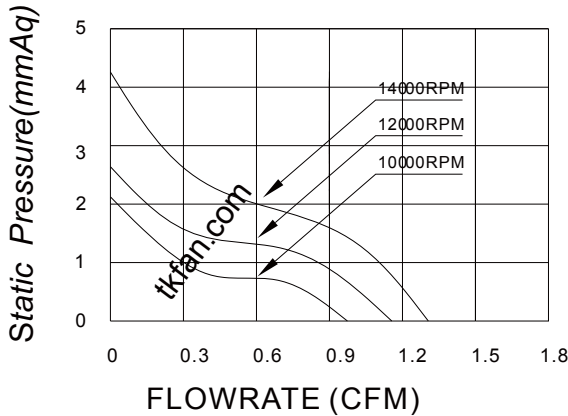
版次Version 2017-4-12

轴承结构：滚珠、含油、液压、其他  
 Bearing: Ball、sleeve、HY、other  
 框外材质: 塑胶(等级:UL94V-0)  
 Frame:Plastic(Flammability:UL94V-0)  
 扇叶材质:塑胶:(等级:UL94V-0)  
 Impeller:Plastic:(Flammability:UL94V-0)  
 风扇单重:4g(Weight:4g)



## P@Q CURVE(AT RATEDVOLTAGE)

## DIMENSIONS DRAWING(unit:mm)



## 编码规则 Code Rule

例子 Example DCH12038H12B-DCH1701  
 DCH12038H12X-AY

Model No. is DCH12038H12X; Extro P/N code is AY

X means bearing type, can be S(sleeve bearing), can be B(ball bearing), can be Y(HY bearing), can be SU(sleeve with UL), can be BU(ball with UL), can be YU(HY with UL)

Y means special function code, it will be used for a certain parts no. or client.

产品型号 DCH12038H12X;附加代码 AY. X是一个不确定值,它代表了不同的轴承类型,

S(含油轴承),B(滚珠轴承),Y(液压轴承),SU(含油轴承带UL),BU(滚珠轴承带UL),YU(液压轴承带UL)

Y是一个不确定的值,它代表不同特殊风机功能,由具体客户或者料号来确定

Model	P/N Code	Rated Voltage	Operating Voltage Range	Rated Current	Rated Input Power	Speed	Maximum Air Flow		Maximum Air Pressure		Noise
型号	P/N 附加码	额定电压	工作电压范围	额定电流	额定输入功率	转速	最大风量	最大风量	最大风压	最大风压	噪音
PART.NO.	AY	VDC	VDC	Amp	Watt	R.P.M	M³/min	CFM	mmH2O	InH2O	dB-A
DA2010L05X		5	1.8~3~6	0.06	0.3	10000	0.03	1.05	2.16	0.085	18.8
DA2010M05X		5	1.8~3~6	0.08	0.4	12000	0.032	1.14	2.65	0.104	21.3
DA2010H05X		5	1.8~3~6	0.13	0.65	14000	0.038	1.35	4.3	0.169	24.2
DA2010L12X		12	8.5~13.5	0.03	0.36	10000	0.03	1.05	2.16	0.085	18.8
DA2010M12X		12	8.5~13.5	0.05	0.6	12000	0.032	1.14	2.65	0.104	21.3
DA2010H12X		12	8.5~13.5	0.08	0.96	14000	0.038	1.35	4.3	0.169	24.2



TKFAN®

C US RoHS

## DC Brushless FAN 25x25x7mm-A Type

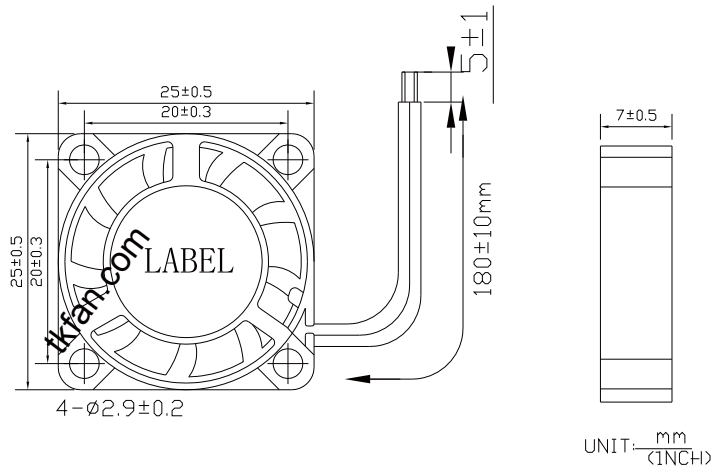
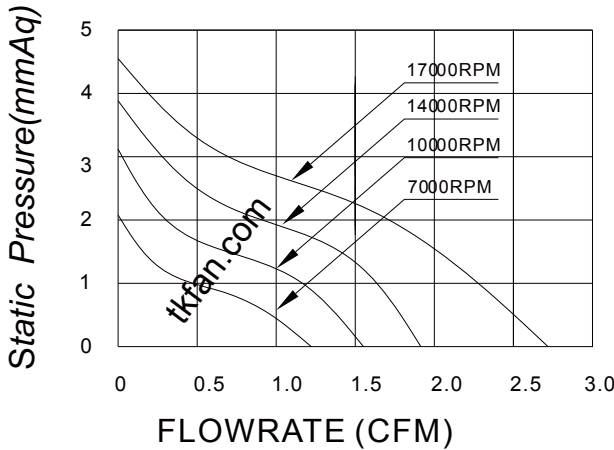
版次Version 2017-4-12

轴承结构：滚珠、含油、液压、其他  
 Bearing: Ball、sleeve、HY、other  
 框外材质: 塑胶(等级:UL94V-0)  
 Frame:Plastic(Flammability:UL94V-0)  
 扇叶材质:塑胶:(等级:UL94V-0)  
 Impeller:Plastic:(Flammability:UL94V-0)  
 风扇单重:5g(Weight:5g)



### P@Q CURVE(AT RATEDVOLTAGE)

### DIMENSIONS DRAWING(unit:mm)



### 编码规则 Code Rule

例子 Example DCH12038H12B-DCH1701  
 DCH12038H12X-AY

Model No. is DCH12038H12X; Extro P/N code is AY

X means bearing type, can be S(sleeve bearing), can be B(ball bearing), can be Y(HY bearing), can be SU(sleeve with UL), can be BU(ball with UL), can be YU(HY with UL)

Y means special function code, it will be used for a certain parts no. or client.

产品型号 DCH12038H12X; 附加代码 AY. X是一个不确定值, 它代表了不同的轴承类型,

S(含油轴承), B(滚珠轴承), Y(液压轴承), SU(含油轴承带UL), BU(滚珠轴承带UL), YU(液压轴承带UL)

Y是一个不确定的值, 它代表不同特殊风机功能, 由具体客户或者料号来确定

Model	P/N Code	Rated Voltage	Operating Voltage Range	Rated Current	Rated Input Power	Speed	Maximum Air Flow		Maximum Air Pressure		Noise
型号	P/N 附加码	额定电压	工作电压范围	额定电流	额定输入功率	转速	最大风量		最大风压		噪音
PART.NO.	AY	VDC	VDC	Amp	Watt	R.P.M	M <sup>3</sup> /min	CFM	mmH2O	InH2O	dB-A
DA2507L05X		5	1.8~3~6	0.14	0.72	7000	0.035	1.22	2.16	0.085	19.6
DA2507M05X		5	1.8~3~6	0.17	0.84	10000	0.044	1.55	3.1	0.122	23.5
DA2507H05X		5	1.8~3~6	0.19	0.96	14000	0.054	1.9	3.8	0.15	26.4
DA2507HH05X		5	1.8~3~6	0.22	1.08	17000	0.08	2.81	4.5	0.177	31.2
DA2507L12X		12	8.5~13.5	0.06	0.72	7000	0.035	1.22	2.16	0.085	19.6
DA2507M12X		12	8.5~13.5	0.07	0.84	10000	0.044	1.55	3.1	0.122	23.5
DA2507H12X		12	8.5~13.5	0.08	0.96	14000	0.054	1.9	3.8	0.15	26.4
DA2507HH12X	12	8.5~13.5	0.09	1.08	17000	0.08	2.81	4.5	0.177	31.2	



TKFAN®

UL US CE RoHS

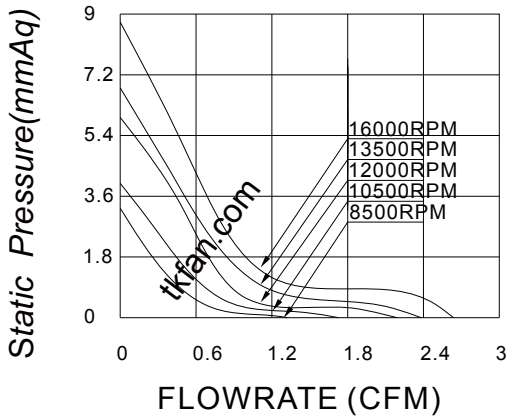
# DC Brushless FAN 25x25x10mm-A Type

版次Version 2017-4-12

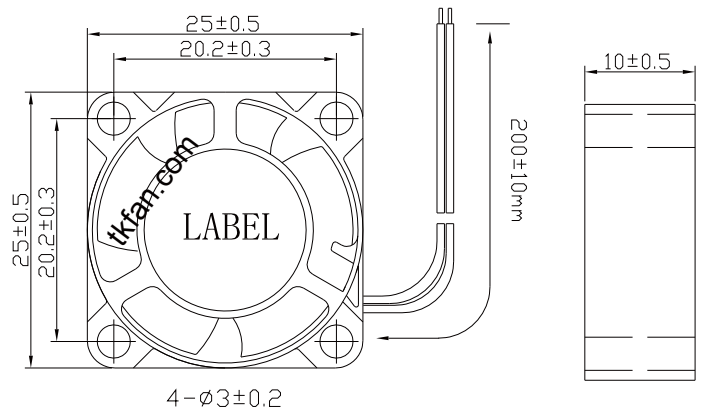
轴承结构：滚珠、含油、液压、其他  
 Bearing: Ball、sleeve、HY、other  
 框外材质: 塑胶(等级:UL94V-0)  
 Frame:Plastic(Flammability:UL94V-0)  
 扇叶材质:塑胶:(等级:UL94V-0)  
 Impeller:Plastic:(Flammability:UL94V-0)  
 风扇单重:7g(Weight:7g)



## P@Q CURVE(AT RATEDVOLTAGE)



## DIMENSIONS DRAWING(unit:mm)



## 编码规则 Code Rule

例子 Example DCH12038H12B-DCH1701  
 DCH12038H12X-AY

Model No. is DCH12038H12X; Extro P/N code is AY

X means bearing type, can be S(sleeve bearing), can be B(ball bearing), can be Y(HY bearing), can be SU(sleeve with UL), can be BU(ball with UL), can be YU(HY with UL)

Y means special function code, it will be used for a certain parts no. or client.

产品型号 DCH12038H12X; 附加代码 AY. X是一个不确定值, 它代表了不同的轴承类型,

S(含油轴承), B(滚珠轴承), Y(液压轴承), SU(含油轴承带UL), BU(滚珠轴承带UL), YU(液压轴承带UL)

Y是一个不确定的值, 它代表不同特殊风机功能, 由具体客户或者料号来确定

Model	P/N Code	Rated Voltage	Operating Voltage Range	Rated Current	Rated Input Power	Speed	Maximum Air Flow		Maximum Air Pressure		Noise
型号	P/N 附加码	额定电压	工作电压范围	额定电流	额定输入功率	转速	最大风量		最大风压		噪音
PART.NO.	AY	VDC	VDC	Amp	Watt	R.P.M	M³/min	CFM	mmH2O	InH2O	dB-A
DA2510L05X		5	1.8~3~6	0.14	0.72	8500	0.029	1.01	1.86	0.073	17.8
DA2510M05X		5	1.8~3~6	0.17	0.84	10500	0.041	1.44	3.24	0.128	27.2
DA2510H05X		5	1.8~3~6	0.19	0.96	12000	0.049	1.72	3.88	0.153	28.9
DA2510HH05X		5	1.8~3~6	0.22	1.08	13500	0.067	2.35	6.87	0.270	32.9
DA2510VH05X		5	1.8~3~6	0.24	1.2	16000	0.074	2.63	8.73	0.344	37.6
DA2510L12X		12	8.5~13.5	0.06	0.72	8500	0.029	1.01	1.86	0.073	17.8
DA2510M12X		12	8.5~13.5	0.07	0.84	10500	0.041	1.44	3.24	0.128	27.2
DA2510H12X		12	8.5~13.5	0.08	0.96	12000	0.049	1.72	3.88	0.153	28.9
DA2510HH12X		12	8.5~13.5	0.09	1.08	13500	0.067	2.35	6.87	0.270	32.9
DA2510VH12X	12	8.5~13.5	0.1	1.2	16000	0.074	2.63	8.73	0.344	37.6	



TKFAN®

UL US CE RoHS

# DC Brushless FAN 30x30x7mm-A Type

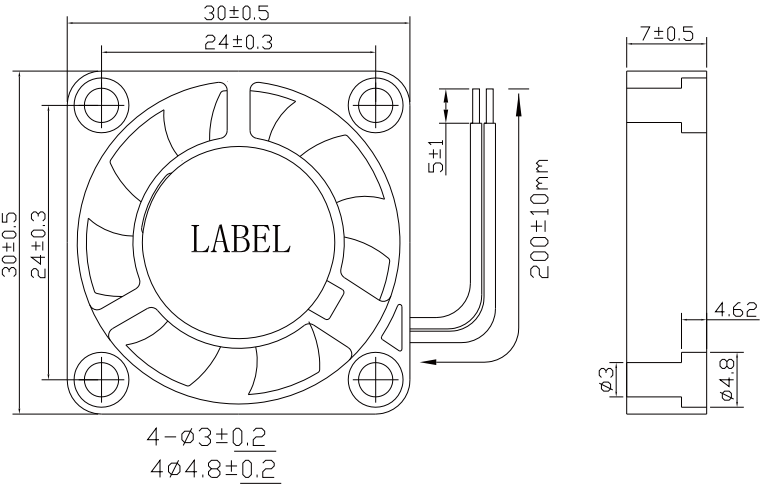
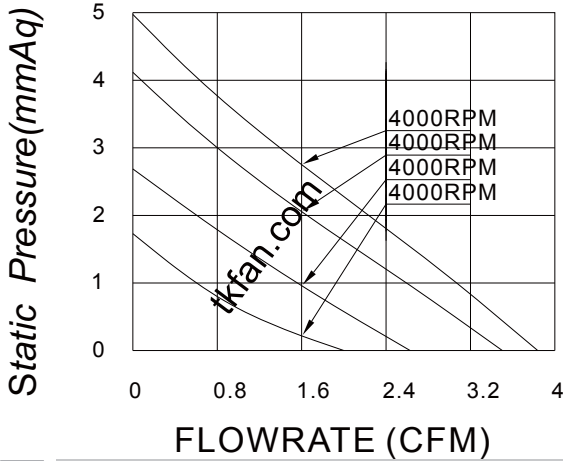
版次Version 2017-4-12

轴承结构：滚珠、含油、液压、其他  
 Bearing: Ball、sleeve、HY、other  
 框外材质: 塑胶(等级:UL94V-0)  
 Frame:Plastic(Flammability:UL94V-0)  
 扇叶材质:塑胶:(等级:UL94V-0)  
 Impeller:Plastic:(Flammability:UL94V-0)  
 风扇单重:6.3g(Weight:6.3g)



## P@Q CURVE(AT RATEDVOLTAGE)

## DIMENSIONS DRAWING(unit:mm)



## 编码规则 Code Rule

例子 Example DCH12038H12B-DCH1701  
 DCH12038H12X-AY

Model No. is DCH12038H12X; Extro P/N code is AY  
 X means bearing type, can be S(sleeve bearing), can be B(ball bearing), can be Y(HY bearing), can be SU(sleeve with UL), can be BU(ball with UL), can be YU(HY with UL)  
 Y means special function code, it will be used for a certain parts no. or client.  
 产品型号 DCH12038H12X;附加代码 AY. X是一个不确定值,它代表了不同的轴承类型,  
 S(含油轴承),B(滚珠轴承),Y(液压轴承),SU(含油轴承带UL),BU(滚珠轴承带UL),YU(液压轴承带UL)  
 Y是一个不确定的值,它代表不同特殊风机功能,由具体客户或者料号来确定

Model	P/N Code	Rated Voltage	Operating Voltage Range	Rated Current	Rated Input Power	Speed	Maximum Air Flow		Maximum Air Pressure		Noise
型号	P/N 附加码	额定电压	工作电压范围	额定电流	额定输入功率	转速	最大风量		最大风压		噪音
PART.NO.	AY	VDC	VDC	Amp	Watt	R.P.M	M³/min	CFM	mmH2O	InH2O	dB-A
DA3007L05X		5	1.8~3~6	0.14	0.72	6000	0.056	1.99	1.71	0.067	25.5
DA3007M05X		5	1.8~3~6	0.17	0.84	8000	0.075	2.66	2.70	0.106	27.4
DA3007H05X		5	1.8~3~6	0.19	0.96	10000	0.098	3.46	4.13	0.163	30.1
DA3007HH05X		5	1.8~3~6	0.22	1.08	11000	0.107	3.78	4.94	0.194	32.0
DA3007VH05X		5	1.8~3~6	0.24	1.2	13000	0.120	4.25	8.25	0.325	34.9
DA3007L12X		12	8.5~13.5	0.06	0.72	6000	0.056	1.99	1.71	0.067	25.5
DA3007M12X		12	8.5~13.5	0.07	0.84	8000	0.075	2.66	2.70	0.106	27.4
DA3007H12X		12	8.5~13.5	0.08	0.96	10000	0.098	3.46	4.13	0.163	30.1
DA3007HH12X		12	8.5~13.5	0.09	1.08	11000	0.107	3.78	4.94	0.194	32.0
DA3007VH12X		12	8.5~13.5	0.1	1.2	13000	0.120	4.25	8.25	0.325	34.9



TKFAN<sup>®</sup>

C<sup>®</sup> UL<sup>®</sup> US CE RoHS

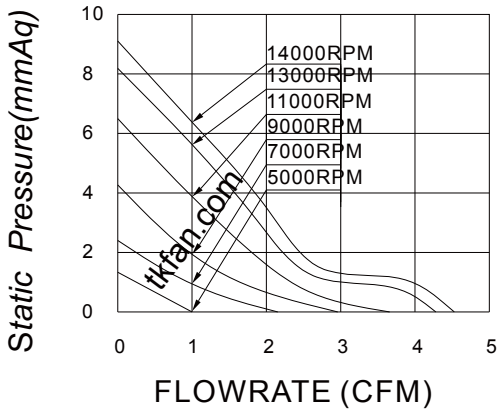
# DC Brushless FAN 30x30x10mm-A Type

版次Version 2017-4-12

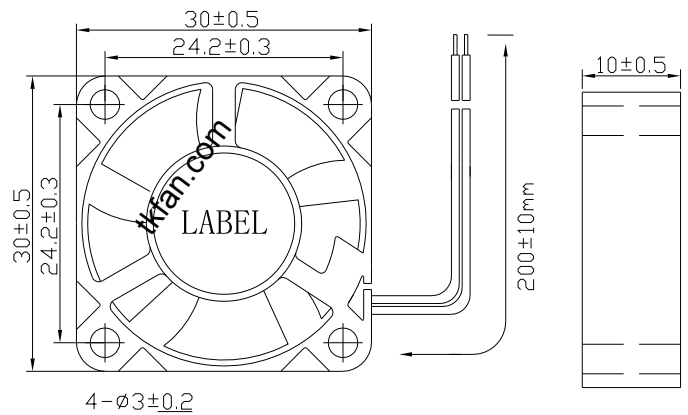
轴承结构：滚珠、含油、液压、其他  
 Bearing: Ball、sleeve、HY、other  
 框外材质: 塑胶(等级:UL94V-0)  
 Frame:Plastic(Flammability:UL94V-0)  
 扇叶材质:塑胶:(等级:UL94V-0)  
 Impeller:Plastic:(Flammability:UL94V-0)  
 风扇单重:8.2g(Weight:8.2g)



## P@Q CURVE(AT RATEDVOLTAGE)



## DIMENSIONS DRAWING(unit:mm)



## 编码规则 Code Rule

例子 Example DCH12038H12B-DCH1701  
 DCH12038H12X-AY

Model No. is DCH12038H12X; Extro P/N code is AY  
 X means bearing type, can be S(sleeve bearing), can be B(ball bearing), can be Y(HY bearing), can be SU(sleeve with UL), can be BU(ball with UL), can be YU(HY with UL)  
 Y means special function code, it will be used for a certain parts no. or client.  
 产品型号 DCH12038H12X;附加代码 AY. X是一个不确定值,它代表了不同的轴承类型,  
 S(含油轴承),B(滚珠轴承),Y(液压轴承),SU(含油轴承带UL),BU(滚珠轴承带UL),YU(液压轴承带UL)  
 Y是一个不确定的值,它代表不同特殊风机功能,由具体客户或者料号来确定

Model	P/N Code	Rated Voltage	Operating Voltage Range	Rated Current	Rated Input Power	Speed	Maximum Air Flow		Maximum Air Pressure		Noise
型号	P/N 附加码	额定电压	工作电压范围	额定电流	额定输入功率	转速	最大风量		最大风压		噪音
PART.NO.	AY	VDC	VDC	Amp	Watt	R.P.M	M <sup>3</sup> /min	CFM	mmH2O	InH2O	dB-A
DA3010L05X		5	1.8~3~6	0.14	0.72	5000	0.028	0.98	1.22	0.048	15.5
DA3010M05X		5	1.8~3~6	0.17	0.84	7000	0.064	2.25	2.50	0.098	22.4
DA3010H05X		5	1.8~3~6	0.19	0.96	9000	0.084	2.95	4.25	0.167	26.3
DA3010HH05X		5	1.8~3~6	0.22	1.08	11000	0.102	3.61	6.28	0.247	32.0
DA3010VH05X		5	1.8~3~6	0.24	1.2	13000	0.120	4.25	8.25	0.325	34.9
DA3010L12X		12	8.5~13.5	0.06	0.72	5000	0.028	0.98	1.22	0.048	15.5
DA3010M12X		12	8.5~13.5	0.07	0.84	7000	0.064	2.25	2.50	0.098	22.4
DA3010H12X		12	8.5~13.5	0.08	0.96	9000	0.084	2.95	4.25	0.167	26.3
DA3010HH12X		12	8.5~13.5	0.09	1.08	11000	0.102	3.61	6.28	0.247	32.0
DA3010VH12X	12	8.5~13.5	0.1	1.2	13000	0.120	4.25	8.25	0.325	34.9	



TKFAN®

UL US CE RoHS

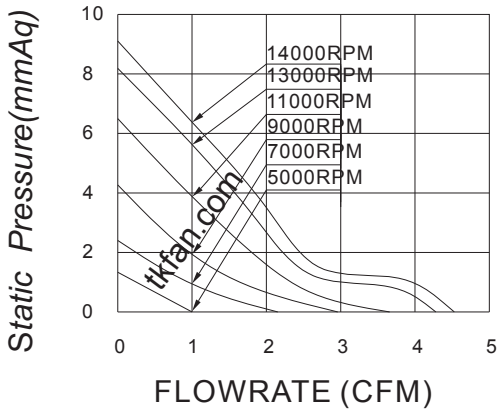
# DC Brushless FAN 30x30x10mm-B Type

版次Version 2017-4-12

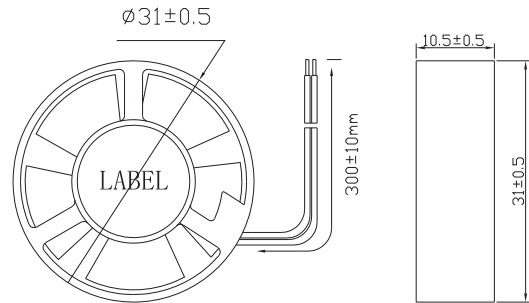
轴承结构：滚珠、含油、液压、其他  
 Bearing: Ball、sleeve、HY、other  
 框外材质: 塑胶(等级:UL94V-0)  
 Frame:Plastic(Flammability:UL94V-0)  
 扇叶材质:塑胶:(等级:UL94V-0)  
 Impeller:Plastic:(Flammability:UL94V-0)  
 风扇单重:8g(Weight:8g)



## P@Q CURVE(AT RATEDVOLTAGE)



## DIMENSIONS DRAWING(unit:mm)



## 编码规则 Code Rule

例子 Example DCH12038H12B-DCH1701  
 DCH12038H12X-AY

Model No. is DCH12038H12X; Extro P/N code is AY  
 X means bearing type, can be S(sleeve bearing), can be B(ball bearing), can be Y(HY bearing), can be SU(sleeve with UL), can be BU(ball with UL), can be YU(HY with UL)  
 Y means special function code, it will be used for a certain parts no. or client.  
 产品型号 DCH12038H12X;附加代码 AY. X是一个不确定值,它代表了不同的轴承类型,  
 S(含油轴承),B(滚珠轴承),Y(液压轴承),SU(含油轴承带UL),BU(滚珠轴承带UL),YU(液压轴承带UL)  
 Y是一个不确定的值,它代表不同特殊风机功能,由具体客户或者料号来确定

Model	P/N Code	Rated Voltage	Operating Voltage Range	Rated Current	Rated Input Power	Speed	Maximum Air Flow		Maximum Air Pressure		Noise
型号	P/N 附加码	额定电压	工作电压范围	额定电流	额定输入功率	转速	最大风量		最大风压		噪音
PART.NO.	BY	VDC	VDC	Amp	Watt	R.P.M	M³/min	CFM	mmH2O	InH2O	dB-A
DA3010L05X		5	1.8~3~6	0.14	0.72	5000	0.028	0.98	1.22	0.048	15.5
DA3010M05X		5	1.8~3~6	0.17	0.84	7000	0.064	2.25	2.50	0.098	22.4
DA3010H05X		5	1.8~3~6	0.19	0.96	9000	0.084	2.95	4.25	0.167	26.3
DA3010HH05X		5	1.8~3~6	0.22	1.08	11000	0.102	3.61	6.28	0.247	32.0
DA3010VH05X		5	1.8~3~6	0.24	1.2	13000	0.120	4.25	8.25	0.325	34.9
DA3010L12X		12	8.5~13.5	0.06	0.72	5000	0.028	0.98	1.22	0.048	15.5
DA3010M12X		12	8.5~13.5	0.07	0.84	7000	0.064	2.25	2.50	0.098	22.4
DA3010H12X		12	8.5~13.5	0.08	0.96	9000	0.084	2.95	4.25	0.167	26.3
DA3010HH12X		12	8.5~13.5	0.09	1.08	11000	0.102	3.61	6.28	0.247	32.0
DA3010VH12X	12	8.5~13.5	0.1	1.2	13000	0.120	4.25	8.25	0.325	34.9	



TKFAN®

UL US CE RoHS

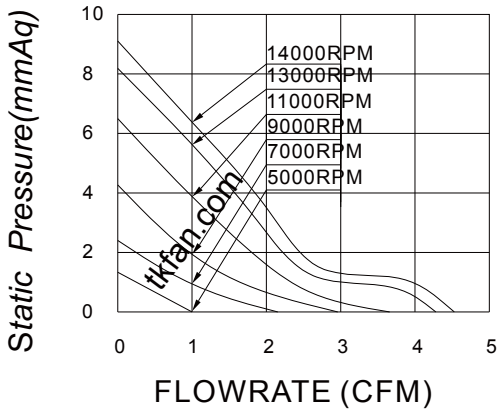
# DC Brushless FAN 30x30x10mm-C Type

版次Version 2017-4-12

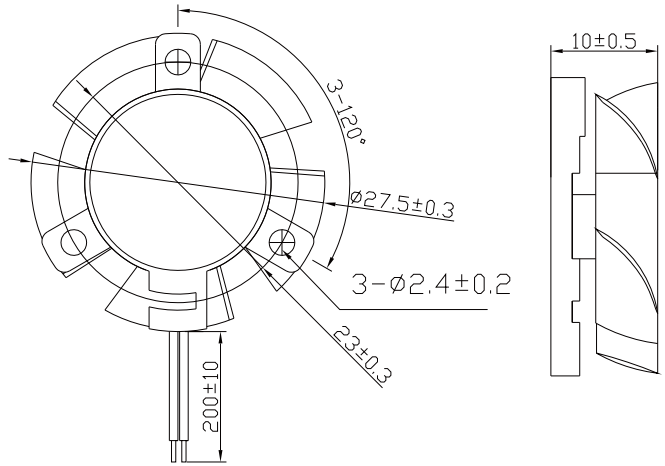
轴承结构：滚珠、含油、液压、其他  
 Bearing: Ball、sleeve、HY、other  
 框外材质: 塑胶(等级:UL94V-0)  
 Frame:Plastic(Flammability:UL94V-0)  
 扇叶材质:塑胶:(等级:UL94V-0)  
 Impeller:Plastic:(Flammability:UL94V-0)  
 风扇单重:8g(Weight:8g)



## P@Q CURVE(AT RATEDVOLTAGE)



## DIMENSIONS DRAWING(unit:mm)



## 编码规则 Code Rule

例子 Example DCH12038H12B-DCH1701  
 DCH12038H12X-AY

Model No. is DCH12038H12X; Extro P/N code is AY

X means bearing type, can be S(sleeve bearing), can be B(ball bearing), can be Y(HY bearing), can be SU(sleeve with UL), can be BU(ball with UL), can be YU(HY with UL)

Y means special function code, it will be used for a certain parts no. or client.

产品型号 DCH12038H12X;附加代码 AY. X是一个不确定值,它代表了不同的轴承类型,

S(含油轴承),B(滚珠轴承),Y(液压轴承),SU(含油轴承带UL),BU(滚珠轴承带UL),YU(液压轴承带UL)

Y是一个不确定的值,它代表不同特殊风机功能,由具体客户或者料号来确定

Model	P/N Code	Rated Voltage	Operating Voltage Range	Rated Current	Rated Input Power	Speed	Maximum Air Flow		Maximum Air Pressure		Noise
型号	P/N 附加码	额定电压	工作电压范围	额定电流	额定输入功率	转速	最大风量		最大风压		噪音
PART.NO.	CY	VDC	VDC	Amp	Watt	R.P.M	M³/min	CFM	mmH2O	InH2O	dB-A
DA3010L05X		5	1.8~3~6	0.14	0.72	5000	0.028	0.98	1.22	0.048	15.5
DA3010M05X		5	1.8~3~6	0.17	0.84	7000	0.064	2.25	2.50	0.098	22.4
DA3010H05X		5	1.8~3~6	0.19	0.96	9000	0.084	2.95	4.25	0.167	26.3
DA3010HH05X		5	1.8~3~6	0.22	1.08	11000	0.102	3.61	6.28	0.247	32.0
DA3010VH05X		5	1.8~3~6	0.24	1.2	13000	0.120	4.25	8.25	0.325	34.9
DA3010L12X		12	8.5~13.5	0.06	0.72	5000	0.028	0.98	1.22	0.048	15.5
DA3010M12X		12	8.5~13.5	0.07	0.84	7000	0.064	2.25	2.50	0.098	22.4
DA3010H12X		12	8.5~13.5	0.08	0.96	9000	0.084	2.95	4.25	0.167	26.3
DA3010HH12X		12	8.5~13.5	0.09	1.08	11000	0.102	3.61	6.28	0.247	32.0
DA3010VH12X	12	8.5~13.5	0.1	1.2	13000	0.120	4.25	8.25	0.325	34.9	



TKFAN®

UL US CE RoHS

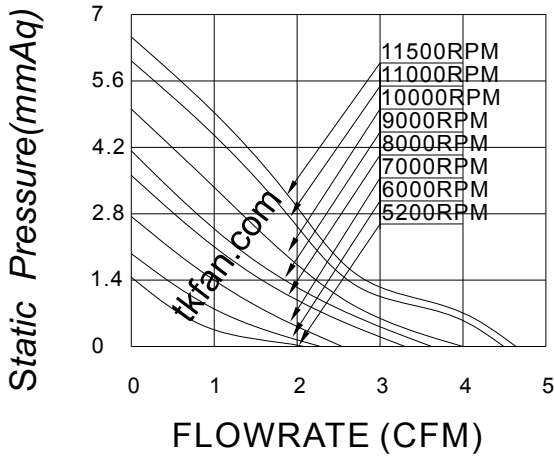
# DC Brushless FAN 30x30x10mm-D Type

版次Version 2017-4-12

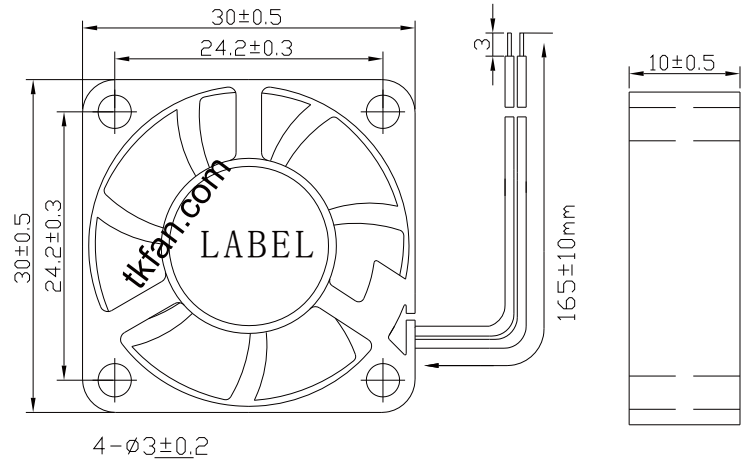
轴承结构：滚珠、含油、液压、其他  
 Bearing: Ball、sleeve、HY、other  
 框外材质: 塑胶(等级:UL94V-0)  
 Frame:Plastic(Flammability:UL94V-0)  
 扇叶材质:塑胶:(等级:UL94V-0)  
 Impeller:Plastic:(Flammability:UL94V-0)  
 风扇单重:9g(Weight:9g)



## P@Q CURVE(AT RATEDVOLTAGE)



## DIMENSIONS DRAWING(unit:mm)



## 编码规则 Code Rule

例子 Example DCH12038H12B-DCH1701  
DCH12038H12X-AY

Model No. is DCH12038H12X; Extro P/N code is AY

X means bearing type, can be S(sleeve bearing), can be B(ball bearing), can be Y(HY bearing), can be SU(sleeve with UL), can be BU(ball with UL), can be YU(HY with UL)

Y means special function code, it will be used for a certain parts no. or client.

产品型号 DCH12038H12X; 附加代码 AY. X是一个不确定值, 它代表了不同的轴承类型,

S(含油轴承), B(滚珠轴承), Y(液压轴承), SU(含油轴承带UL), BU(滚珠轴承带UL), YU(液压轴承带UL)

Y是一个不确定的值, 它代表不同特殊风机功能, 由具体客户或者料号来确定

Model	P/N Code	Rated Voltage	Operating Voltage Range	Rated Current	Rated Input Power	Speed	Maximum Air Flow		Maximum Air Pressure		Noise
型号	P/N 附加码	额定电压	工作电压范围	额定电流	额定输入功率	转速	最大风量		最大风压		噪音
PART.NO.		VDC	VDC	Amp	Watt	R.P.M	M³/min	CFM	mmH2O	InH2O	dB-A
DA3010L05X	DY	5	1.8~3~6	0.14	0.72	5000	0.063	2.21	1.49	0.059	20.8
DA3010LM05X		5	1.8~3~6	0.15	0.75	6000	0.068	2.39	1.98	0.078	22.7
DA3010M05X		5	1.8~3~6	0.17	0.84	7000	0.072	2.55	2.72	0.107	24.0
DA3010LH05X		5	1.8~3~6	0.18	0.9	8000	0.094	3.33	3.55	0.140	26.5
DA3010H05X		5	1.8~3~6	0.19	0.96	9000	0.103	3.63	4.09	0.161	28.8
DA3010HL05X		5	1.8~3~6	0.2	1.0	10000	0.113	3.99	4.94	0.194	30.4
DA3010HH05X		5	1.8~3~6	0.22	1.08	11000	0.127	4.49	6.05	0.238	34.0
DA3010L12X		12	8.5~13.5	0.06	0.72	5000	0.063	2.21	1.49	0.059	20.8
DA3010LM12X		12	8.5~13.5	0.07	0.84	6000	0.068	2.39	1.98	0.078	22.7
DA3010M12X		12	8.5~13.5	0.08	0.96	7000	0.072	2.55	2.72	0.107	24.0
DA3010LH12X		12	8.5~13.5	0.09	1.08	8000	0.094	3.33	3.55	0.140	26.5
DA3010H12X		12	8.5~13.5	0.1	1.2	9000	0.103	3.63	4.09	0.161	28.8
DA3010HL12X		12	8.5~13.5	0.083	1.0	10000	0.113	3.99	4.94	0.194	30.4
DA3010HH12X		12	8.5~13.5	0.09	1.08	11000	0.127	4.49	6.05	0.238	34.0



TKFAN®

UL US CE RoHS

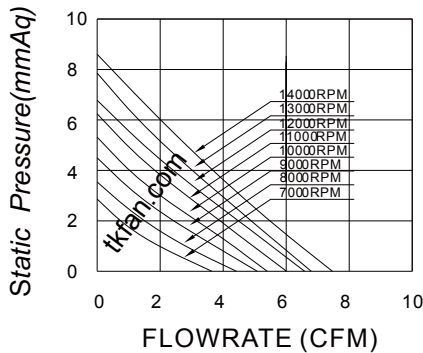
# DC Brushless Fan 35x35x10mm-A Type

版次Version 2017-4-12

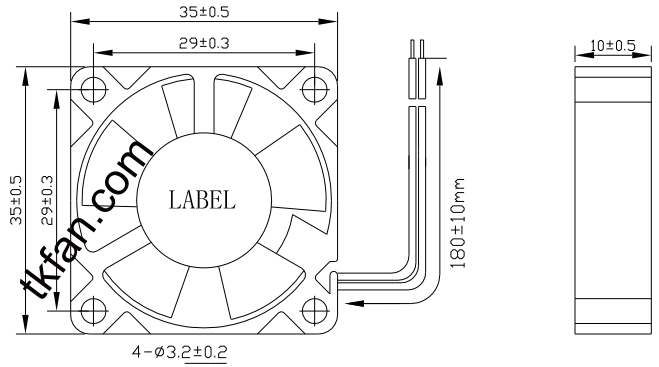
轴承结构：滚珠、含油、液压  
 Bearing: Ball、sleeve、HY  
 框外材质：塑胶(等级:UL94V-0)  
 Frame:Plastic(Flammability:UL94V-0)  
 扇叶材质:塑胶:(等级:UL94V-0)  
 Impeller:Plastic:(Flammability:UL94V-0)  
 风扇单重:9g(Weight:9g)



## P@Q CURVE(AT RATEDVOLTAGE)



## DIMENSIONS DRAWING(unit:mm)



UNIT: mm (INCH)

## 编码规则 Code Rule

例子 Example DCH12038H12B-DCH1701  
 DCH12038H12X-AY

Model No. is DCH12038H12X; Extro P/N code is AY  
 X means bearing type, can be S(sleeve bearing), can be B(ball bearing), can be Y(HY bearing), can be SU(sleeve with UL), can be BU(ball with UL), can be YU(HY with UL)  
 Y means special function code, it will be used for a certain parts no. or client.  
 产品型号 DCH12038H12X;附加代码 AY. X是一个不确定值,它代表了不同的轴承类型,  
 S(含油轴承),B(滚珠轴承),Y(液压轴承),SU(含油轴承带UL),BU(滚珠轴承带UL),YU(液压轴承带UL)  
 Y是一个不确定的值,它代表不同特殊风机功能,由具体客户或者料号来确定

Model	P/N Code	Rated Voltage	Operating Voltage Range	Rated Current	Rated Input Power	Speed	Maximum Air Flow		Maximum Air Pressure		Noise
型号	P/N 附加码	额定电压	工作电压范围	额定电流	额定输入功率	转速	最大风量		最大风压		噪音
PART.NO.	AY	VDC	VDC	Amp	Watt	R.P.M	M³/min	CFM	mmH2O	InH2O	dB-A
DA3510M05X		5	1.8~3.6~6.8	0.1	0.5	7000	0.111	3.91	2.84	0.112	28
DA3510ML05X		5	1.8~3.6~6.8	0.12	0.6	8000	0.128	4.5	3.51	0.138	31
DA3510H05X		5	1.8~3.6~6.8	0.13	0.65	9000	0.142	5	4.31	0.170	34.4
DA3510LH05X		5	1.8~3.6~6.8	0.14	0.7	10000	0.151	5.32	5.12	0.202	37.1
DA3510HH05X		5	1.8~3.6~6.8	0.16	0.8	11000	0.171	6.06	6.11	0.241	39.4
DA3510HL05X		5	1.8~3.6~6.8	0.18	0.9	12000	0.182	6.39	6.77	0.267	41
DA3510VH05X		5	1.8~3.6~6.8	0.2	1.0	13000	0.195	6.87	7.97	0.314	42.6
DA3510HV05X		5	1.8~3.6~6.8	0.22	1.1	14000	0.211	7.41	8.74	0.344	44.7
DA3510M12X		12	7~13.5	0.042	0.5	7000	0.111	3.91	2.84	0.112	28
DA3510ML12X		12	7~13.5	0.05	0.6	8000	0.128	4.5	3.51	0.138	31
DA3510H12X		12	7~13.5	0.054	0.65	9000	0.142	5	4.31	0.170	34.4
DA3510LH12X		12	7~13.5	0.058	0.7	10000	0.151	5.32	5.12	0.202	37.1
DA3510HH12X		12	7~13.5	0.067	0.8	11000	0.171	6.06	6.11	0.241	39.4
DA3510HL12X		12	7~13.5	0.075	0.9	12000	0.182	6.39	6.77	0.267	41
DA3510VH12X		12	7~13.5	0.083	1.0	13000	0.195	6.87	7.97	0.314	42.6
DA3510HV12X		12	7~13.5	0.092	1.1	14000	0.211	7.41	8.74	0.344	44.7



TKFAN®

UL US CE RoHS

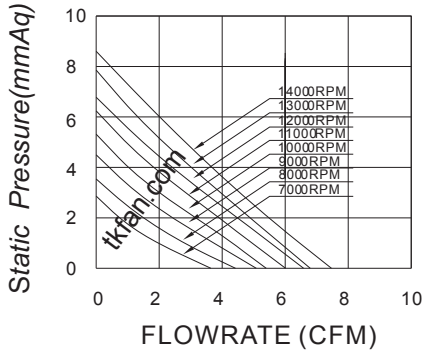
# DC Brushless Fan Ø35x11mm-B Type

版次Version 2017-4-12

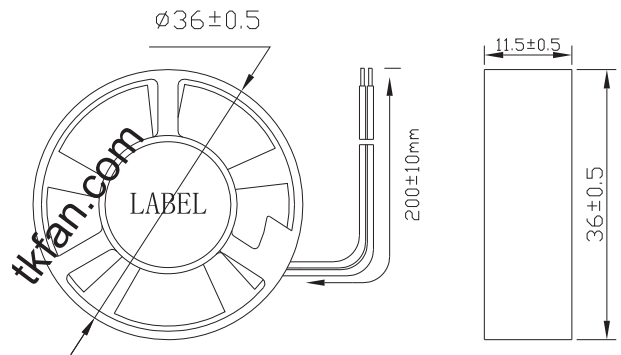
轴承结构：滚珠、含油、液压  
 Bearing: Ball、sleeve、HY  
 框外材质: 塑胶(等级:UL94V-0)  
 Frame:Plastic(Flammability:UL94V-0)  
 扇叶材质:塑胶:(等级:UL94V-0)  
 Impeller:Plastic:(Flammability:UL94V-0)  
 风扇单重:9g(Weight:9g)



## P@Q CURVE(AT RATEDVOLTAGE)



## DIMENSIONS DRAWING(unit:mm)



UNIT: mm (INCH)

## 编码规则 Code Rule

例子 Example DCH12038H12B-DCH1701  
 DCH12038H12X-AY

Model No. is DCH12038H12X; Extro P/N code is AY

X means bearing type, can be S(sleeve bearing), can be B(ball bearing), can be Y(HY bearing), can be SU(sleeve with UL), can be BU(ball with UL), can be YU(HY with UL)

Y means special function code, it will be used for a certain parts no. or client.

产品型号 DCH12038H12X;附加代码 AY. X是一个不确定值,它代表了不同的轴承类型,

S(含油轴承),B(滚珠轴承),Y(液压轴承),SU(含油轴承带UL),BU(滚珠轴承带UL),YU(液压轴承带UL)

Y是一个不确定的值,它代表不同特殊风机功能,由具体客户或者料号来确定

Model	P/N Code	Rated Voltage	Operating Voltage Range	Rated Current	Rated Input Power	Speed	Maximum Air Flow		Maximum Air Pressure		Noise
型号	P/N 附加码	额定电压	工作电压范围	额定电流	额定输入功率	转速	最大风量		最大风压		噪音
PART.NO.	BY	VDC	VDC	Amp	Watt	R.P.M	M³/min	CFM	mmH2O	InH2O	dB-A
DA3510M05X		5	1.8~3.6~6.8	0.1	0.5	7000	0.111	3.91	2.84	0.112	28
DA3510ML05X		5	1.8~3.6~6.8	0.12	0.6	8000	0.128	4.5	3.51	0.138	31
DA3510H05X		5	1.8~3.6~6.8	0.13	0.65	9000	0.142	5	4.31	0.170	34.4
DA3510LH05X		5	1.8~3.6~6.8	0.14	0.7	10000	0.151	5.32	5.12	0.202	37.1
DA3510HH05X		5	1.8~3.6~6.8	0.16	0.8	11000	0.171	6.06	6.11	0.241	39.4
DA3510HL05X		5	1.8~3.6~6.8	0.18	0.9	12000	0.182	6.39	6.77	0.267	41
DA3510VH05X		5	1.8~3.6~6.8	0.2	1.0	13000	0.195	6.87	7.97	0.314	42.6
DA3510HV05X		5	1.8~3.6~6.8	0.22	1.1	14000	0.211	7.41	8.74	0.344	44.7
DA3510M12X		12	7~13.5	0.042	0.5	7000	0.111	3.91	2.84	0.112	28
DA3510ML12X		12	7~13.5	0.05	0.6	8000	0.128	4.5	3.51	0.138	31
DA3510H12X		12	7~13.5	0.054	0.65	9000	0.142	5	4.31	0.170	34.4
DA3510LH12X		12	7~13.5	0.058	0.7	10000	0.151	5.32	5.12	0.202	37.1
DA3510HH12X		12	7~13.5	0.067	0.8	11000	0.171	6.06	6.11	0.241	39.4
DA3510HL12X		12	7~13.5	0.075	0.9	12000	0.182	6.39	6.77	0.267	41
DA3510VH12X		12	7~13.5	0.083	1.0	13000	0.195	6.87	7.97	0.314	42.6
DA3510HV12X		12	7~13.5	0.092	1.1	14000	0.211	7.41	8.74	0.344	44.7

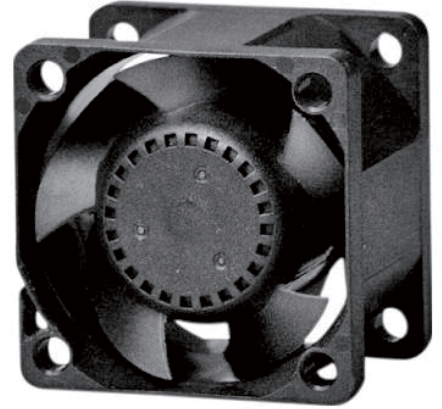


TKFAN<sup>®</sup>

UL<sup>®</sup> US CE RoHS

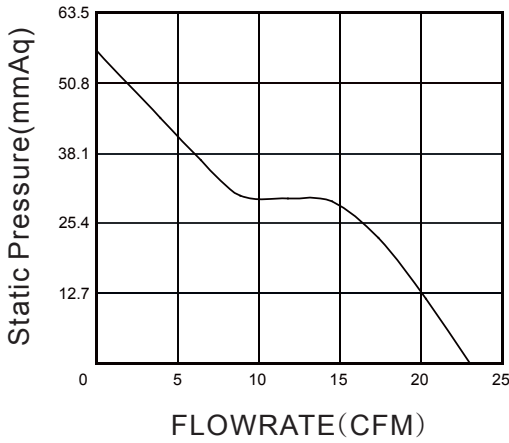
# DC Brushless FAN 38x38x28mm-A Type

版次Version 2020-11-11

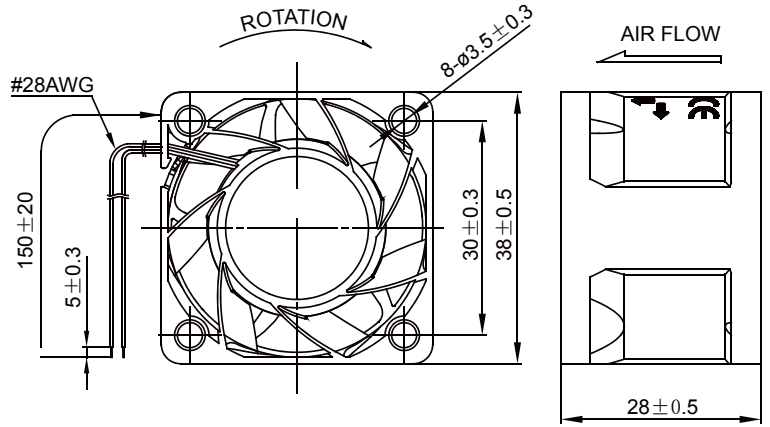


轴承结构：滚珠  
 Bearing: Ball  
 框外材质: 塑胶(等级:UL94V-0)  
 Frame:Plastic(Flammability:UL94V-0)  
 扇叶材质:塑胶:(等级:UL94V-0)  
 Impeller:Plastic:(Flammability:UL94V-0)  
 风扇单重:41g(Weight:41g)

## P@Q CURVE(AT RATEDVOLTAGE)



## DIMENSIONS DRAWING(unit:mm)



## 编码规则 Code Rule

例子 Example DCH12038H12B-DCH1701  
 DCH12038H12X-AY

Model No. is DCH12038H12X; Extro P/N code is AY

X means bearing type, can be S(sleeve bearing), can be B(ball bearing), can be Y(HY bearing), can be SU(sleeve with UL), can be BU(ball with UL), can be YU(HY with UL)

Y means special function code, it will be used for a certain parts no. or client.

产品型号 DCH12038H12X;附加代码 AY. X是一个不确定值,它代表了不同的轴承类型,

S(含油轴承),B(滚珠轴承),Y(液压轴承),SU(含油轴承带UL),BU(滚珠轴承带UL),YU(液压轴承带UL)

Y是一个不确定的值,它代表不同特殊风机功能,由具体客户或者料号来确定

Model	P/N Code	Rated Voltage	Operating Voltage Range	Rated Current	Rated Input Power	Speed	Maximum Air Flow		Maximum Air Pressure		Noise
型号	P/N 附加码	额定电压	工作电压范围	额定电流	额定输入功率	转速	最大风量		最大风压		噪音
PART.NO.	AY	VDC	VDC	Amp	Watt	R.P.M	M <sup>3</sup> /min	CFM	mmH2O	InH2O	dB-A
DA3828HV12X			12	8.5-13.5	0.52	6.24	20000	0.651	23.0	56.64	2.23



TKFAN®

UL US CE RoHS

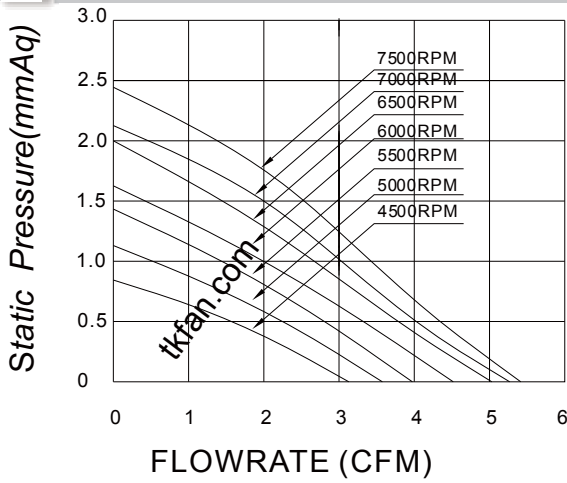
# DC Brushless FAN 40x40x7mm-A Type

版次Version 2017-4-12

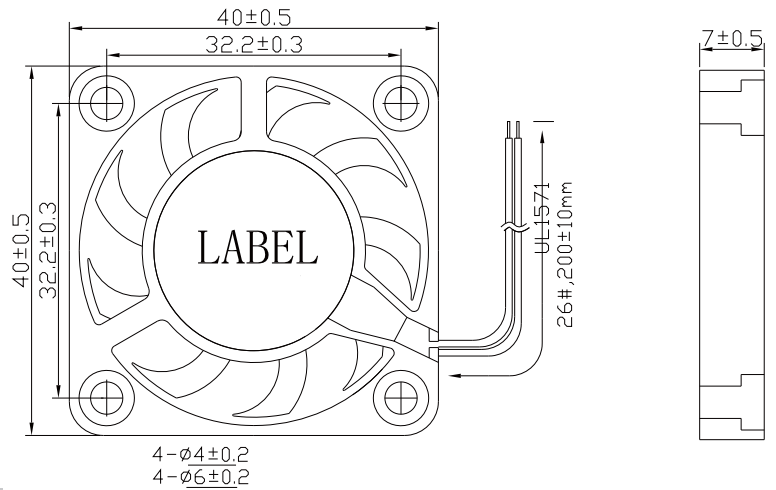
轴承结构：滚珠、含油、液压、其他  
 Bearing: sleeve、HY、other  
 框外材质: 塑胶(等级:UL94V-0)  
 Frame:Plastic(Flammability:UL94V-0)  
 扇叶材质:塑胶:(等级:UL94V-0)  
 Impeller:Plastic:(Flammability:UL94V-0)  
 风扇单重:14.5g(Weight:14.5g)



## P@Q CURVE(AT RATEDVOLTAGE)



## DIMENSIONS DRAWING(unit:mm)



## 编码规则 Code Rule

例子 Example DCH12038H12B-DCH1701  
 DCH12038H12X-AY

Model No. is DCH12038H12X; Extro P/N code is AY

X means bearing type, can be S(sleeve bearing), can be B(ball bearing), can be Y(HY bearing), can be SU(sleeve with UL), can be BU(ball with UL), can be YU(HY with UL)

Y means special function code, it will be used for a certain parts no. or client.

产品型号 DCH12038H12X;附加代码 AY. X是一个不确定值,它代表了不同的轴承类型,

S(含油轴承),B(滚珠轴承),Y(液压轴承),SU(含油轴承带UL),BU(滚珠轴承带UL),YU(液压轴承带UL)

Y是一个不确定的值,它代表不同特殊风机功能,由具体客户或者料号来确定

Model	P/N Code	Rated Voltage	Operating Voltage Range	Rated Current	Rated Input Power	Speed	Maximum Air Flow		Maximum Air Pressure		Noise
型号	P/N 附加码	额定电压	工作电压范围	额定电流	额定输入功率	转速	最大风量		最大风压		噪音
PART.NO.	AY	VDC	VDC	Amp	Watt	R.P.M	M³/min	CFM	mmH2O	InH2O	dB-A
DA4007L05X		5	1.8~3~6	0.12	0.6	4500	0.089	3.14	0.84	0.033	23.5
DA4007LM05X		5	1.8~3~6	0.144	0.72	5000	0.104	3.67	1.17	0.046	24.5
DA4007ML05X		5	1.8~3~6	0.168	0.84	5500	0.113	3.96	1.4	0.055	25.6
DA4007M05X		5	1.8~3~6	0.192	0.96	6000	0.131	4.6	1.65	0.065	27.5
DA4007LH05X		5	1.8~3~6	0.2	1.02	6500	0.144	5.06	2.02	0.079	29.3
DA4007H05X		5	1.8~3~6	0.216	1.08	7000	0.151	5.31	2.17	0.085	30.4
DA4007HH05X		5	1.8~3~6	0.24	1.2	7500	0.153	5.37	2.4	0.094	31.5
DA4007L12X		12	8.5~13.5	0.05	0.6	4500	0.089	3.14	0.84	0.033	23.5
DA4007LM12X		12	8.5~13.5	0.06	0.72	5000	0.104	3.67	1.17	0.046	24.5
DA4007ML12X		12	8.5~13.5	0.07	0.84	5500	0.113	3.96	1.4	0.055	25.6
DA4007M12X		12	8.5~13.5	0.08	0.96	6000	0.131	4.6	1.65	0.065	27.5
DA4007LH12X		12	8.5~13.5	0.085	1.02	6500	0.144	5.06	2.02	0.079	29.3
DA4007H12X		12	8.5~13.5	0.09	1.08	7000	0.151	5.31	2.17	0.085	30.4
DA4007HH12X		12	8.5~13.5	0.1	1.2	7500	0.153	5.37	2.4	0.094	31.5



TKFAN®

UL US CE RoHS

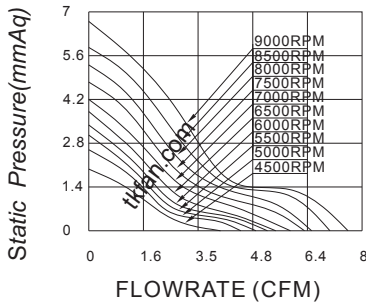
# DC Brushless FAN 40x40x10mm-A Type

版次Version 2017-4-12

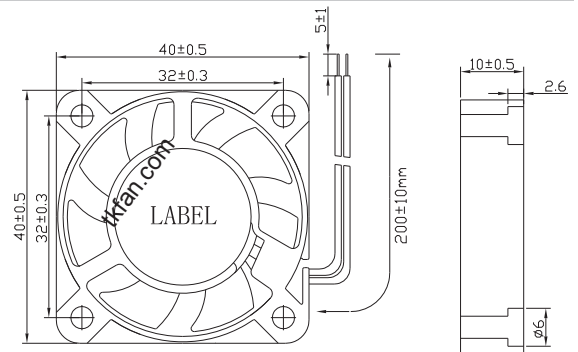
轴承结构：双滚珠、含油、液压、其他  
 Bearing: two ball、sleeve、HY、other  
 框外材质: 塑胶(等级:UL94V-0)  
 Frame:Plastic(Flammability:UL94V-0)  
 扇叶材质:塑胶:(等级:UL94V-0)  
 Impeller:Plastic:(Flammability:UL94V-0)  
 风扇单重:15g(Weight:15g)



## P@Q CURVE(AT RATEDVOLTAGE)



## DIMENSIONS DRAWING(unit:mm)



## 编码规则 Code Rule

例子 Example DCH12038H12B-DCH1701  
 DCH12038H12X-AY

Model No. is DCH12038H12X; Extro P/N code is AY

X means bearing type, can be S(sleeve bearing), can be B(ball bearing), can be Y(HY bearing), can be SU(sleeve with UL), can be BU(ball with UL), can be YU(HY with UL)

Y means special function code, it will be used for a certain parts no. or client.

产品型号 DCH12038H12X;附加代码AY. X是一个不确定值,它代表了不同的轴承类型,

S(含油轴承),B(滚珠轴承),Y(液压轴承),SU(含油轴承带UL),BU(滚珠轴承带UL),YU(液压轴承带UL)

Y是一个不确定的值,它代表不同特殊风机功能,由具体客户或者料号来确定

Model	P/N Code	Rated Voltage	Operating Voltage Range	Rated Current	Rated Input Power	Speed	Maximum Air Flow		Maximum Air Pressure		Noise
型号	P/N 附加码	额定电压	工作电压范围	额定电流	额定输入功率	转速	最大风量		最大风压		噪音
PART.NO.	AY	VDC	VDC	Amp	Watt	R.P.M	M³/min	CFM	mmH2O	InH2O	dB-A
DA4010L05X		5	1.8~3~6	0.072	0.36	4500	0.111	3.93	2.09	0.082	24.6
DA4010LV05X		5	1.8~3~6	0.096	0.48	5000	0.128	4.51	2.65	0.104	28.5
DA4010LM05X		5	1.8~3~6	0.12	0.60	5500	0.137	4.83	3.03	0.119	30.0
DA4010M05X		5	1.8~3~6	0.144	0.72	6000	0.146	5.16	3.43	0.135	31.0
DA4010ML05X		5	1.8~3~6	0.168	0.84	6500	0.152	5.35	3.81	0.150	33.4
DA4010H05X		5	1.8~3~6	0.19	0.96	7000	0.165	5.84	4.19	0.165	35.3
DA4010HL05X		5	1.8~3~6	0.22	1.08	7500	0.178	6.30	4.72	0.186	37.1
DA4010HH05X		5	1.8~3~6	0.24	1.2	8000	0.184	6.51	5.26	0.207	38.0
DA4010VH05X		5	1.8~3~6	0.26	1.32	8500	0.199	7.02	5.92	0.233	39.5
DA4010L12X		12	8.5~13.5	0.03	0.36	4500	0.111	3.93	2.09	0.082	24.6
DA4010LV12X		12	8.5~13.5	0.04	0.48	5000	0.128	4.51	2.65	0.104	28.5
DA4010LM12X		12	8.5~13.5	0.05	0.60	5500	0.137	4.83	3.03	0.119	30.0
DA4010M12X		12	8.5~13.5	0.06	0.72	6000	0.146	5.16	3.43	0.135	31.0
DA4010ML12X		12	8.5~13.5	0.07	0.84	6500	0.152	5.35	3.81	0.150	33.4
DA4010H12X		12	8.5~13.5	0.08	0.96	7000	0.165	5.84	4.19	0.165	35.3
DA4010HL12X		12	8.5~13.5	0.09	1.08	7500	0.178	6.30	4.72	0.186	37.1
DA4010HH12X		12	8.5~13.5	0.10	1.2	8000	0.184	6.51	5.26	0.207	38.0
DA4010VH12X	12	8.5~13.5	0.11	1.32	8500	0.199	7.02	5.92	0.233	39.5	



TKFAN®

UL US CE RoHS

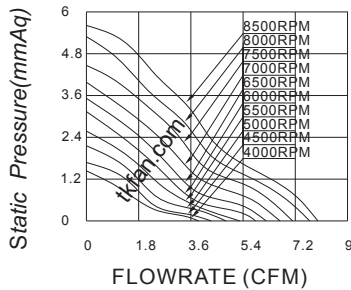
# DC Brushless FAN 40x40x10mm-B Type

版次Version 2017-4-12

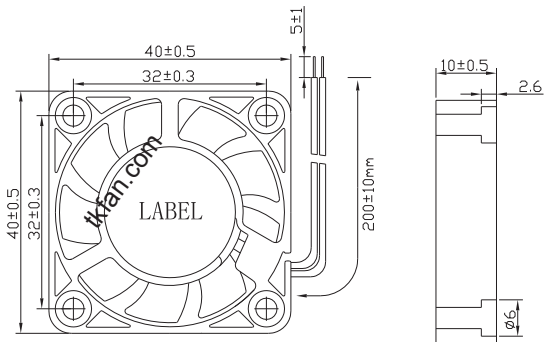
轴承结构：双滚珠、含油、液压、其他  
 Bearing: two ball、sleeve、HY、other  
 框外材质: 塑胶(等级:UL94V-0)  
 Frame:Plastic(Flammability:UL94V-0)  
 扇叶材质:塑胶:(等级:UL94V-0)  
 Impeller:Plastic:(Flammability:UL94V-0)  
 风扇单重:16g(Weight:16g)



## P@Q CURVE(AT RATEDVOLTAGE)



## DIMENSIONS DRAWING(unit:mm)



## 编码规则 Code Rule

例子 Example DCH12038H12B-DCH1701  
 DCH12038H12X-AY

Model No. is DCH12038H12X; Extro P/N code is AY  
 X means bearing type, can be S(sleeve bearing), can be B(ball bearing), can be Y(HY bearing), can be SU(sleeve with UL), can be BU(ball with UL), can be YU(HY with UL)  
 Y means special function code, it will be used for a certain parts no. or client.  
 产品型号 DCH12038H12X;附加代码AY. X是一个不确定值,它代表了不同的轴承类型,  
 S(含油轴承),B(滚珠轴承),Y(液压轴承),SU(含油轴承带UL),BU(滚珠轴承带UL),YU(液压轴承带UL)  
 Y是一个不确定的值,它代表不同特殊风机功能,由具体客户或者料号来确定

Model	P/N Code	Rated Voltage	Operating Voltage Range	Rated Current	Rated Input Power	Speed	Maximum Air Flow		Maximum Air Pressure		Noise
型号	P/N 附加码	额定电压	工作电压范围	额定电流	额定输入功率	转速	最大风量		最大风压		噪音
PART.NO.	BY	VDC	VDC	Amp	Watt	R.P.M	M³/min	CFM	mmH2O	InH2O	dB-A
DA4010L05X		5	1.8~3~6	0.072	0.36	4500	0.122	4.31	1.71	0.067	24.2
DA4010LV05X		5	1.8~3~6	0.096	0.48	5000	0.136	4.81	2.21	0.087	27.3
DA4010LM05X		5	1.8~3~6	0.12	0.60	5500	0.148	5.23	2.54	0.100	29.2
DA4010M05X		5	1.8~3~6	0.144	0.72	6000	0.164	5.80	3.06	0.120	31.1
DA4010ML05X		5	1.8~3~6	0.168	0.84	6500	0.177	6.24	3.50	0.138	33.4
DA4010H05X		5	1.8~3~6	0.19	0.96	7000	0.187	6.59	3.91	0.154	35.1
DA4010HL05X		5	1.8~3~6	0.22	1.08	7500	0.201	7.10	4.51	0.178	37.1
DA4010HH05X		5	1.8~3~6	0.24	1.2	8000	0.219	7.73	5.22	0.206	39.1
DA4010VH05X		5	1.8~3~6	0.26	1.32	8500	0.227	8.02	5.57	0.219	40.2
DA4010L12X		12	8.5~13.5	0.03	0.36	4500	0.122	4.31	1.71	0.067	24.2
DA4010LV12X		12	8.5~13.5	0.04	0.48	5000	0.136	4.81	2.21	0.087	27.3
DA4010LM12X		12	8.5~13.5	0.05	0.60	5500	0.148	5.23	2.54	0.100	29.2
DA4010M12X		12	8.5~13.5	0.06	0.72	6000	0.164	5.80	3.06	0.120	31.1
DA4010ML12X		12	8.5~13.5	0.07	0.84	6500	0.177	6.24	3.50	0.138	33.4
DA4010H12X		12	8.5~13.5	0.08	0.96	7000	0.187	6.59	3.91	0.154	35.1
DA4010HL12X		12	8.5~13.5	0.09	1.08	7500	0.201	7.10	4.51	0.178	37.1
DA4010HH12X		12	8.5~13.5	0.10	1.2	8000	0.219	7.73	5.22	0.206	39.1
DA4010VH12X		12	8.5~13.5	0.11	1.32	8500	0.227	8.02	5.57	0.219	40.2



TKFAN®

C<sub>UL</sub> US CE RoHS

## DC Brushless FAN 40x40x10mm-C Type

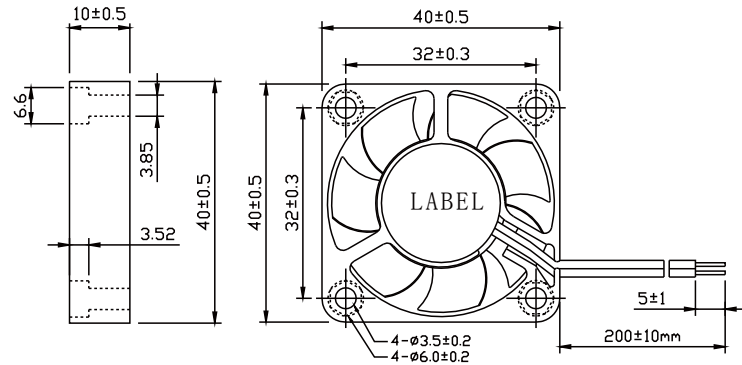
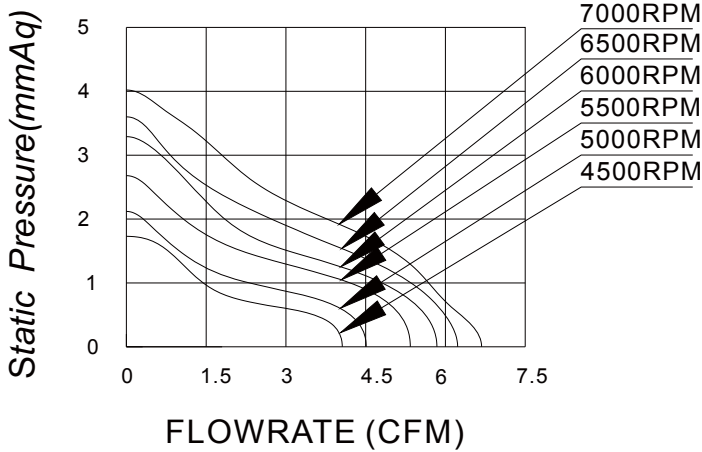
版次Version 2020-3-11

轴承结构：滚珠、含油、液压  
 Bearing: Ball、sleeve、HY  
 框外材质: 塑胶(等级:UL94V-0)  
 Frame:Plastic(Flammability:UL94V-0)  
 扇叶材质:塑胶:(等级:UL94V-0)  
 Impeller:Plastic:(Flammability:UL94V-0)  
 风扇单重:10g(Weight:10g)



### P@Q CURVE(AT RATEDVOLTAGE)

### DIMENSIONS DRAWING(unit:mm)



### 编码规则 Code Rule

UNIT:  $\frac{\text{mm}}{\text{(INCH)}}$

例子 Example DCH12038H12B-DCH1701  
DCH12038H12X-AY

Model No. is DCH12038H12X; Extro P/N code is AY

X means bearing type, can be S(sleeve bearing), can be B(ball bearing), can be Y(HY bearing), can be SU(sleeve with UL), can be BU(ball with UL), can be YU(HY with UL)

Y means special function code, it will be used for a certain parts no. or client.

产品型号 DCH12038H12X;附加代码 AY. X是一个不确定值,它代表了不同的轴承类型,

S(含油轴承),B(滚珠轴承),Y(液压轴承),SU(含油轴承带UL),BU(滚珠轴承带UL),YU(液压轴承带UL)

Y是一个不确定的值,它代表不同特殊风机功能,由具体客户或者料号来确定

Model	P/N Code	Rated Voltage	Operating Voltage Range	Rated Current	Rated Input Power	Speed	Maximum Air Flow		Maximum Air Pressure		Noise
型号	P/N 附加码	额定电压	工作电压范围	额定电流	额定输入功率	转速	最大风量		最大风压		噪音
PART.NO.	CY	VDC	VDC	Amp	Watt	R.P.M	M³/min	CFM	mmH2O	InH2O	dB-A
DA4010L05X		5	1.8~3~6	0.072	0.36	4500	0.115	4.06	1.73	0.069	25.1
DA4010LV05X		5	1.8~3~6	0.096	0.48	5000	0.128	4.51	2.12	0.083	26.2
DA4010LM05X		5	1.8~3~6	0.12	0.60	5500	0.151	5.34	2.68	0.106	28.1
DA4010M05X		5	1.8~3~6	0.144	0.72	6000	0.165	5.84	3.29	0.130	29.6
DA4010H05X		5	1.8~3~6	0.168	0.84	6500	0.176	6.23	3.6	0.142	31.2
DA4010HH05X		5	1.8~3~6	0.192	0.96	7000	0.189	6.68	4.02	0.158	33.7
DA4010L12X		12	8.5~13.5	0.03	0.36	4500	0.115	4.06	1.73	0.069	25.1
DA4010LV12X		12	8.5~13.5	0.04	0.48	5000	0.128	4.51	2.12	0.083	26.2
DA4010LM12X		12	8.5~13.5	0.05	0.60	5500	0.151	5.34	2.68	0.106	28.1
DA4010M12X		12	8.5~13.5	0.06	0.72	6000	0.165	5.84	3.29	0.130	29.6
DA4010H12X		12	8.5~13.5	0.07	0.84	6500	0.176	6.23	3.6	0.142	31.2
DA4010HH12X		12	8.5~13.5	0.08	0.96	7000	0.189	6.68	4.02	0.158	33.7



TKFAN®

DT

UL US CE RoHS

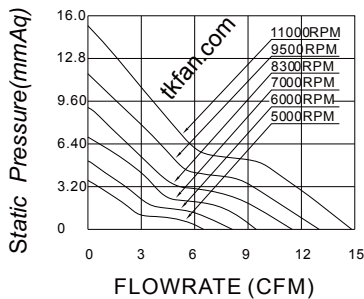
# DC Brushless FAN 40x40x15mm-A Type

版次Version 2018-10-11

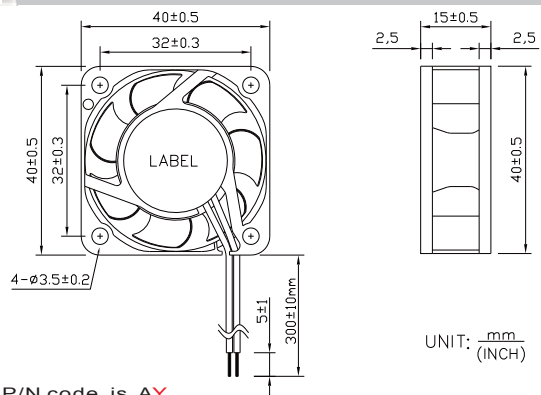
轴承结构：双滚珠、含油、液压、其他  
 Bearing: two ball、sleeve、HY、other  
 框外材质: 塑胶(等级:UL94V-0)  
 Frame:Plastic(Flammability:UL94V-0)  
 扇叶材质:塑胶:(等级:UL94V-0)  
 Impeller:Plastic:(Flammability:UL94V-0)  
 风扇单重:25g(Weight:25g)



## P@Q CURVE(AT RATEDVOLTAGE)



## DIMENSIONS DRAWING(unit:mm)



## 编码规则 Code Rule

例子 Example DCH12038H12B-DCH1701  
DCH12038H12X-AY

Model No. is DCH12038H12X; Extro P/N code is AY

X means bearing type, can be S(sleeve bearing), can be B(ball bearing), can be Y(HY bearing), can be SU(sleeve with UL), can be BU(ball with UL), can be YU(HY with UL)

Y means special function code, it will be used for a certain parts no. or client.

产品型号 DCH12038H12X;附加代码AY. X是一个不确定值,它代表了不同的轴承类型,

S(含油轴承),B(滚珠轴承),Y(液压轴承),SU(含油轴承带UL),BU(滚珠轴承带UL),YU(液压轴承带UL)

Y是一个不确定的值,它代表不同特殊风机功能,由具体客户或者料号来确定

Model	P/N Code	Rated Voltage	Operating Voltage Range	Rated Current	Rated Input Power	Speed	Maximum Air Flow		Maximum Air Pressure		Noise
型号	P/N 附加码	额定电压	工作电压范围	额定电流	额定输入功率	转速	最大风量		最大风压		噪音
PART.NO.	AY	VDC	VDC	Amp	Watt	R.P.M	M³/min	CFM	mmH2O	InH2O	dB-A
DA4015L05X		5	1.8~3~6	0.15	0.75	5000	0.184	6.50	3.67	0.144	18.5
DA4015LM05X		5	1.8~3~6	0.22	1.10	6000	0.230	8.12	5.12	0.202	24.5
DA4015M05X		5	1.8~3~6	0.24	1.20	7000	0.268	9.46	6.92	0.272	28.5
DA4015H05X		5	1.8~3~6	0.32	1.60	8300	0.325	11.48	9.13	0.359	32.0
DA4015HH05X		5	1.8~3~6	0.38	1.90	9500	0.368	13.00	11.66	0.459	36.5
DA4015L12X		12	7.5~13.5	0.06	0.72	5000	0.184	6.50	3.67	0.144	18.5
DA4015LM12X		12	7.5~13.5	0.09	1.08	6000	0.230	8.12	5.12	0.202	24.5
DA4015M12X		12	7.5~13.5	0.10	1.20	7000	0.268	9.46	6.92	0.272	28.5
DA4015H12X		12	7.5~13.5	0.13	1.56	8300	0.325	11.48	9.13	0.359	32.0
DA4015HH12X		12	7.5~13.5	0.16	1.92	9500	0.368	13.00	11.66	0.459	36.5
DA4015VH12X		12	7.5~13.5	0.25	3.00	11000	0.420	14.83	15.26	0.601	41.5
DA4015L24X		24	18~26.5	0.05	1.20	5000	0.184	6.50	3.67	0.144	18.5
DA4015LM24X		24	18~26.5	0.06	1.44	6000	0.230	8.12	5.12	0.202	24.5
DA4015M24X		24	18~26.5	0.08	1.92	7000	0.268	9.46	6.92	0.272	28.5
DA4015H24X		24	18~26.5	0.09	2.16	8300	0.325	11.48	9.13	0.359	32.0
DA4015HH24X		24	18~26.5	0.10	2.40	9500	0.368	13.00	11.66	0.459	36.5
DA4015VH24X	24	18~26.5	0.12	2.88	11000	0.420	14.83	15.26	0.601	41.5	



TKFAN®

UL US CE RoHS

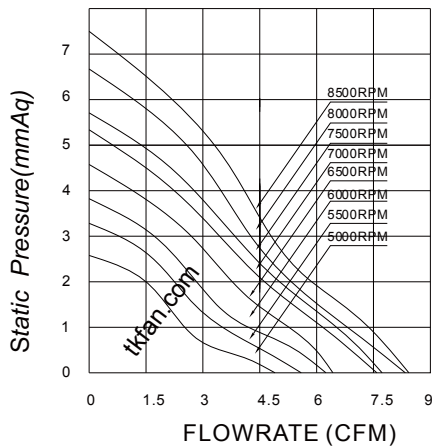
# DC Brushless FAN 40x40x20mm-A Type

版次Version 2017-4-12

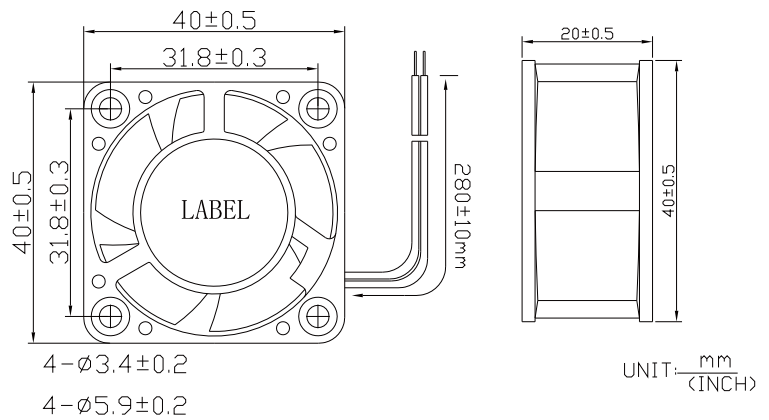
轴承结构：双滚珠、含油、液压、其他  
 Bearing: two ball、sleeve、HY、other  
 框外材质: 塑胶(等级:UL94V-0)  
 Frame:Plastic(Flammability:UL94V-0)  
 扇叶材质:塑胶:(等级:UL94V-0)  
 Impeller:Plastic:(Flammability:UL94V-0)  
 风扇单重:25g(Weight:25g)



## P@Q CURVE(AT RATEDVOLTAGE)



## DIMENSIONS DRAWING(unit:mm)



## 编码规则 Code Rule

例子 Example DCH12038H12B-DCH1701  
 DCH12038H12X-AY

Model No. is DCH12038H12X; Extro P/N code is AY  
 X means bearing type, can be S(sleeve bearing), can be B(ball bearing), can be Y(HY bearing), can be SU(sleeve with UL), can be BU(ball with UL), can be YU(HY with UL)  
 Y means special function code, it will be used for a certain parts no. or client.  
 产品型号 DCH12038H12X; 附加代码 AY. X是一个不确定值, 它代表了不同的轴承类型, S(含油轴承), B(滚珠轴承), Y(液压轴承), SU(含油轴承带UL), BU(滚珠轴承带UL), YU(液压轴承带UL)  
 Y是一个不确定的值, 它代表不同特殊风机功能, 由具体客户或者料号来确定

Model	P/N Code	Rated Voltage	Operating Voltage Range	Rated Current	Rated Input Power	Speed	Maximum Air Flow		Maximum Air Pressure		Noise
型号	P/N 附加码	额定电压	工作电压范围	额定电流	额定输入功率	转速	最大风量		最大风压		噪音
PART.NO.	AY	VDC	VDC	Amp	Watt	R.P.M	M³/min	CFM	mmH2O	InH2O	dB-A
DA4020L05X		5	1.8~3~6.8	0.15	0.72	5000	0.147	5.19	2.62	0.103	20.9
DA4020LM05X		5	1.8~3~6.8	0.17	0.84	6000	0.182	6.41	3.87	0.152	26.7
DA4020M05X		5	1.8~3~6.8	0.19	0.96	6500	0.195	6.87	4.6	0.181	29.1
DA4020H05X		5	1.8~3~6.8	0.22	1.08	7500	0.224	7.9	5.78	0.228	32.7
DA4020HH05X		5	1.8~3~6.8	0.24	1.2	8500	0.248	8.77	7.52	0.296	37.2
DA4020L12X		12	7~13.5	0.06	0.72	5000	0.147	5.19	2.62	0.103	20.9
DA4020LM12X		12	7~13.5	0.07	0.84	6000	0.182	6.41	3.87	0.152	26.7
DA4020M12X		12	7~13.5	0.08	0.96	6500	0.195	6.87	4.6	0.181	29.1
DA4020H12X		12	7~13.5	0.09	1.08	7500	0.224	7.9	5.78	0.228	32.7
DA4020HH12X		12	7~13.5	0.1	1.2	8500	0.248	8.77	7.52	0.296	37.2
DA4020M24X		24	18~26.5	0.04	0.96	6500	0.195	6.87	4.6	0.181	29.1
DA4020H24X		24	18~26.5	0.045	1.08	7500	0.224	7.9	5.78	0.228	32.7
DA4020HH24X		24	18~26.5	0.05	1.2	8500	0.248	8.77	7.52	0.296	37.2



TKFAN®

UL US CE RoHS

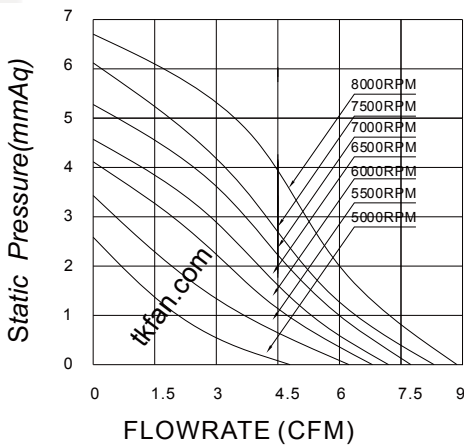
# DC Brushless FAN 40x40x20mm-B Type

版次Version 2017-4-12

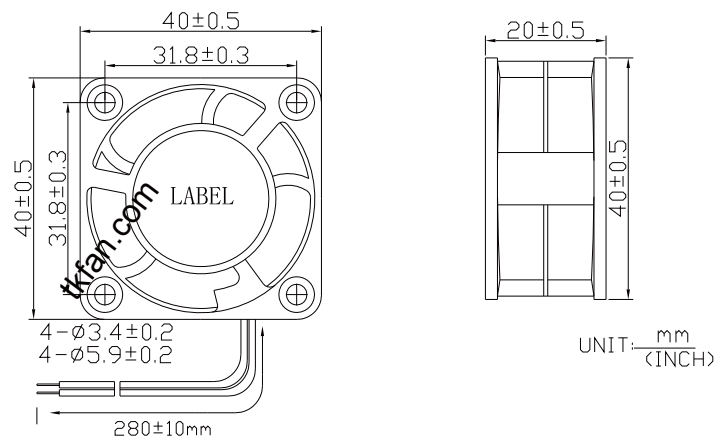
轴承结构：双滚珠、含油、液压、其他  
 Bearing: two ball、sleeve、HY、other  
 框外材质: 塑胶(等级:UL94V-0)  
 Frame:Plastic(Flammability:UL94V-0)  
 扇叶材质:塑胶:(等级:UL94V-0)  
 Impeller:Plastic:(Flammability:UL94V-0)  
 风扇单重:25g(Weight:25g)



## P@Q CURVE(AT RATEDVOLTAGE)



## DIMENSIONS DRAWING(unit:mm)



## 编码规则 Code Rule

例子 Example DCH12038H12B-DCH1701  
 DCH12038H12X-AY

Model No. is DCH12038H12X; Extro P/N code is AY  
 X means bearing type, can be S(sleeve bearing), can be B(ball bearing), can be Y(HY bearing), can be SU(sleeve with UL), can be BU(ball with UL), can be YU(HY with UL)  
 Y means special function code, it will be used for a certain parts no. or client.  
 产品型号 DCH12038H12X; 附加代码 AY. X是一个不确定值, 它代表了不同的轴承类型.  
 S(含油轴承), B(滚珠轴承), Y(液压轴承), SU(含油轴承带UL), BU(滚珠轴承带UL), YU(液压轴承带UL)  
 Y是一个不确定的值, 它代表不同特殊风机功能, 由具体客户或者料号来确定

Model	P/N Code	Rated Voltage	Operating Voltage Range	Rated Current	Rated Input Power	Speed	Maximum Air Flow		Maximum Air Pressure		Noise
型号	P/N 附加码	额定电压	工作电压范围	额定电流	额定输入功率	转速	最大风量		最大风压		噪音
PART.NO.	BY	VDC	VDC	Amp	Watt	R.P.M	M³/min	CFM	mmH2O	InH2O	dB-A
DA4020L05X		5	1.8~3~6.8	0.15	0.72	5000	0.151	5.34	2.65	0.104	23.8
DA4020LM05X		5	1.8~3~6.8	0.17	0.84	6000	0.191	6.74	4.07	0.160	29
DA4020M05X		5	1.8~3~6.8	0.19	0.96	6500	0.2	7.07	4.47	0.176	30.6
DA4020H05X		5	1.8~3~6.8	0.22	1.08	7500	0.237	8.36	6.04	0.238	34.4
DA4020HH05X		5	1.8~3~6.8	0.24	1.2	8000	0.253	8.94	6.76	0.266	36.4
DA4020L12X		12	7~13.5	0.06	0.72	5000	0.151	5.34	2.65	0.104	23.8
DA4020LM12X		12	7~13.5	0.07	0.84	6000	0.191	6.74	4.07	0.160	29
DA4020M12X		12	7~13.5	0.08	0.96	6500	0.2	7.07	4.47	0.176	30.6
DA4020H12X		12	7~13.5	0.09	1.08	7500	0.237	8.36	6.04	0.238	34.4
DA4020HH12X		12	7~13.5	0.1	1.2	8000	0.253	8.94	6.76	0.266	36.4
DA4020M24X		24	18~26.5	0.04	0.96	6500	0.2	7.07	4.47	0.176	30.6
DA4020H24X		24	18~26.5	0.045	1.08	7500	0.237	8.36	6.04	0.238	34.4
DA4020HH24X		24	18~26.5	0.05	1.2	8000	0.253	8.94	6.76	0.266	36.4



TKFAN<sup>®</sup>

UL US CE RoHS

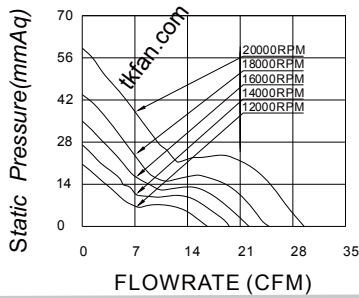
# DC Brushless FAN 40x40x20mm-C Type

版次Version 2018-5-31

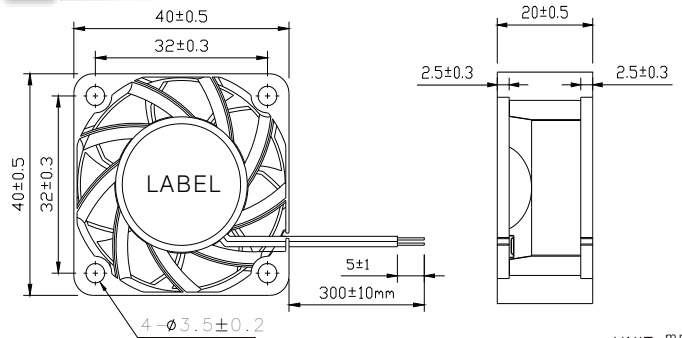


轴承结构：滚珠、含油、液压  
 Bearing: Ball、sleeve、HY  
 框外材质: 塑胶(等级:UL94V-0)  
 Frame:Plastic(Flammability:UL94V-0)  
 扇叶材质:塑胶:(等级:UL94V-0)  
 Impeller:Plastic:(Flammability:UL94V-0)  
 风扇单重:26g(Weight:26g)

## P@Q CURVE(AT RATEDVOLTAGE)



## DIMENSIONS DRAWING(unit:mm)



## 编码规则 Code Rule

例子 Example DCH12038H12B-DCH1701  
 DCH12038H12X-AY

Model No. is DCH12038H12X; Extro P/N code is AY  
 X means bearing type, can be S(sleeve bearing), can be B(ball bearing), can be Y(HY bearing), can be SU(sleeve with UL), can be BU(ball with UL), can be YU(HY with UL)  
 Y means special function code, it will be used for a certain parts no. or client.  
 产品型号 DCH12038H12X;附加代码 AY. X是一个不确定值,它代表了不同的轴承类型,  
 S(含油轴承),B(滚珠轴承),Y(液压轴承),SU(含油轴承带UL),BU(滚珠轴承带UL),YU(液压轴承带UL)  
 Y是一个不确定的值,它代表不同特殊风机功能,由具体客户或者料号来确定

Model	P/N Code	Rated Voltage	Operating Voltage Range	Rated Current	Rated Input Power	Speed	Maximum Air Flow		Maximum Air Pressure		Noise
型号	P/N 附加码	额定电压	工作电压范围	额定电流	额定输入功率	转速	最大风量		最大风压		噪音
PART.NO.	CY	VDC	VDC	Amp	Watt	R.P.M	M <sup>3</sup> /min	CFM	mmH <sub>2</sub> O	InH <sub>2</sub> O	dB-A
DA4020L12X		12	7-13.5	0.43	5.16	12000	0.47	16.6	20.7	0.82	53.2
DA4020LM12X		12	7-13.5	0.55	6.60	14000	0.56	19.6	27.1	1.07	53.5
DA4020M12X		12	7-13.5	0.67	8.04	16000	0.63	22.2	35.0	1.38	55.6
DA4020H12X		12	7-13.5	0.85	10.2	18000	0.71	24.8	43.8	1.73	57.7
DA4020HH12X		12	7-13.5	1.3	15.6	20000	0.84	29.5	59.2	2.33	58.1
DA4020L24X		24	18-26.5	0.21	5.04	12000	0.47	16.6	20.7	0.82	53.2
DA4020LM24X		24	18-26.5	0.27	6.48	14000	0.56	19.6	27.1	1.07	53.5
DA4020M24X		24	18-26.5	0.34	8.16	16000	0.63	22.2	35.0	1.38	55.6
DA4020H24X		24	18-26.5	0.4	9.6	18000	0.71	24.8	43.8	1.73	57.7
DA4020HH24X		24	18-26.5	0.65	15.6	20000	0.84	29.5	59.2	2.33	58.1



TKFAN®

UL US CE RoHS

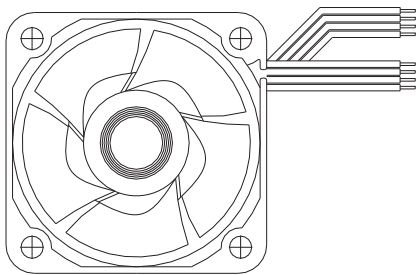
# DC Brushless FAN 40x40x56mm-A Type

版次Version 2017-8-21

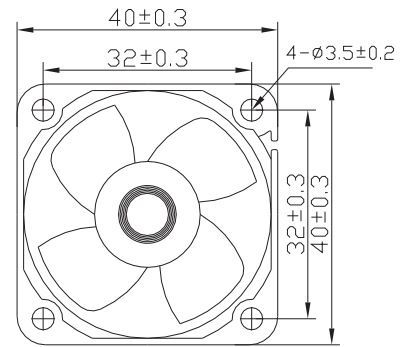
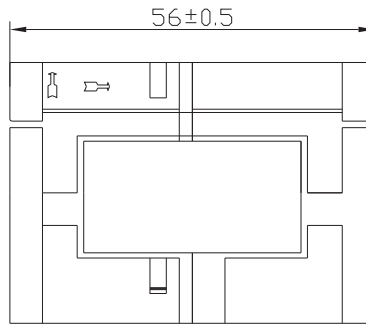
轴承结构：双滚珠、含油、液压、其他  
 Bearing: two ball、sleeve、HY、other  
 框外材质: 塑胶(等级:UL94V-0)  
 Frame:Plastic(Flammability:UL94V-0)  
 扇叶材质:塑胶:(等级:UL94V-0)  
 Impeller:Plastic:(Flammability:UL94V-0)  
 风扇单重:90g(Weight:90g)



## DIMENSIONS DRAWING(unit:mm)



UNIT:  $\frac{\text{mm}}{(\text{INCH})}$



## 编码规则 Code Rule

例子 Example DCH12038H12B-A1701  
DCH12038H12X-AY

Model No. is DCH12038H12X; Extro P/N code is AY

X means bearing type, can be S(sleeve bearing), can be B(ball bearing), can be Y(HY bearing), can be SU(sleeve with UL), can be BU(ball with UL), can be YU(HY with UL)

Y means special function code, it will be used for a certain parts no. or client.

产品型号 DCH12038H12X;附加代码 AY. X是一个不确定值,它代表了不同的轴承类型,

S(含油轴承),B(滚珠轴承),Y(液压轴承),SU(含油轴承带UL),BU(滚珠轴承带UL),YU(液压轴承带UL)

Y是一个不确定的值,它代表不同特殊风机功能,由具体客户或者料号来确定

Model	P/N Code	Rated Voltage	Operating Voltage Range	Rated Current	Rated Input Power	Speed	Maximum Air Flow		Maximum Air Pressure		Noise
型号	P/N 附加码	额定电压	工作电压范围	额定电流	额定输入功率	转速	最大风量		最大风压		噪音
PART.NO.		VDC	VDC	Amp	Watt	R.P.M	M³/min	CFM	mmH2O	InH2O	dB-A
DA4056L12B	AY	12	10.8~13.2	0.52	6.24	14000	0.65	22.95	36.83	1.45	54
DA4056M12B		12	10.8~13.2	0.6	7.2	15000	0.70	24.72	41.91	1.65	56
DA4056H12B		12	10.8~13.2	0.9	10.8	16700	0.77	27.19	51.054	2.01	58
DA4056HH12B		12	10.8~13.2	1.15	13.8	19000	0.87	30.72	64.262	2.53	61



TKFAN®

UL US CE RoHS

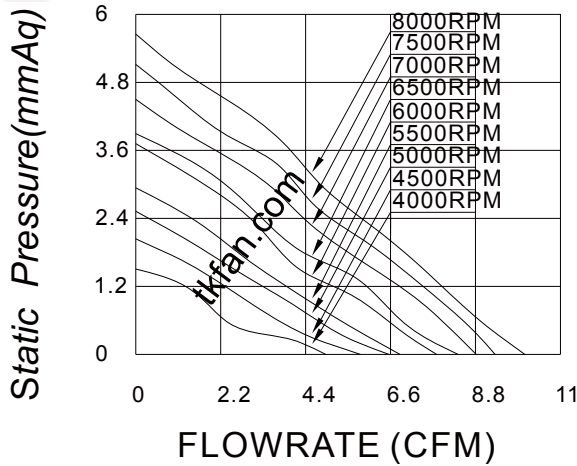
# DC Brushless FAN 45x45x10mm-A Type

版次Version 2017-4-12

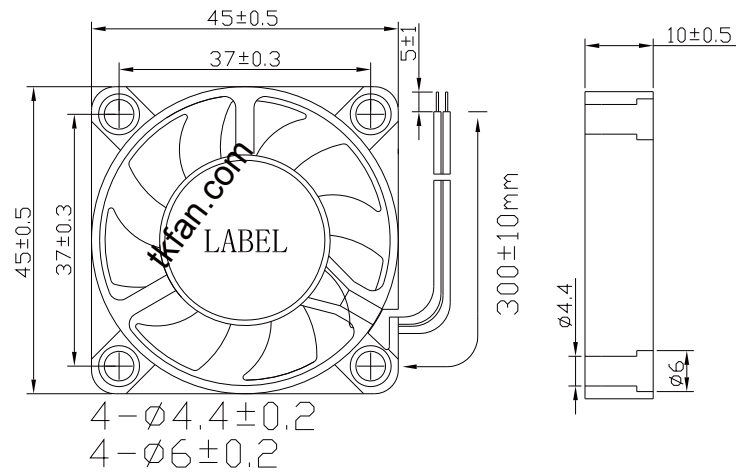
轴承结构：滚珠、含油、液压、其他  
 Bearing: Ball、sleeve、HY、other  
 框外材质: 塑胶(等级:UL94V-0)  
 Frame:Plastic(Flammability:UL94V-0)  
 扇叶材质:塑胶:(等级:UL94V-0)  
 Impeller:Plastic:(Flammability:UL94V-0)  
 风扇单重:18g(Weight:18g)



## P@Q CURVE(AT RATEDVOLTAGE)



## DIMENSIONS DRAWING(unit:mm)



## 编码规则 Code Rule

例子 Example DCH12038H12B-DCH1701  
 DCH12038H12X-AY

Model No. is DCH12038H12X; Extro P/N code is AY  
 X means bearing type, can be S(sleeve bearing), can be B(ball bearing), can be Y(HY bearing), can be SU(sleeve with UL), can be BU(ball with UL), can be YU(HY with UL)  
 Y means special function code, it will be used for a certain parts no. or client.  
 产品型号 DCH12038H12X; 附加代码 AY. X是一个不确定值, 它代表了不同的轴承类型,  
 S(含油轴承), B(滚珠轴承), Y(液压轴承), SU(含油轴承带UL), BU(滚珠轴承带UL), YU(液压轴承带UL)  
 Y是一个不确定的值, 它代表不同特殊风机功能, 由具体客户或者料号来确定

Model	P/N Code	Rated Voltage	Operating Voltage Range	Rated Current	Rated Input Power	Speed	Maximum Air Flow		Maximum Air Pressure		Noise
型号	P/N 附加码	额定电压	工作电压范围	额定电流	额定输入功率	转速	最大风量		最大风压		噪音
PART.NO.		VDC	VDC	Amp	Watt	R.P.M	M³/min	CFM	mmH2O	InH2O	dB-A
DA4510VL05X	AY	5	1.8~3~6	0.1	0.48	4000	0.167	5.19	1.61	0.063	24.3
DA4510LL05X		5	1.8~3~6	0.12	0.6	4500	0.153	5.41	2.06	0.081	28.1
DA4510L05X		5	1.8~3~6	0.144	0.72	5000	0.183	6.46	2.50	0.098	30.2
DA4510LM05X		5	1.8~3~6	0.192	0.96	5500	0.195	6.88	2.92	0.115	33.9
DA4510M05X		5	1.8~3~6	0.24	1.2	6000	0.223	7.87	3.69	0.145	36.3
DA4510H05X		5	1.8~3~6	0.264	1.32	6500	0.233	8.24	3.89	0.153	37.3
DA4510HH05X		5	1.8~3~6	0.31	1.56	7000	0.250	8.85	4.50	0.177	39.3
DA4510VL12X		12	8.5~13.5	0.04	0.48	4000	0.167	5.19	1.61	0.063	24.3
DA4510LL12X		12	8.5~13.5	0.05	0.6	4500	0.153	5.41	2.06	0.081	28.1
DA4510L12X		12	8.5~13.5	0.06	0.72	5000	0.183	6.46	2.50	0.098	30.2
DA4510LM12X		12	8.5~13.5	0.08	0.96	5500	0.195	6.88	2.92	0.115	33.9
DA4510M12X		12	8.5~13.5	0.10	1.2	6000	0.223	7.87	3.69	0.145	36.3
DA4510H12X		12	8.5~13.5	0.11	1.32	6500	0.233	8.24	3.89	0.153	37.3
DA4510HH12X		12	8.5~13.5	0.13	1.56	7000	0.250	8.85	4.50	0.177	39.3



TKFAN®

C US CE RoHS

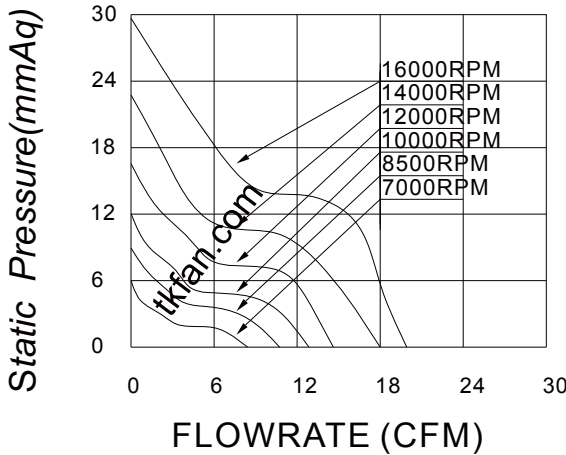
# DC Brushless FAN 40x40x28mm-A Type

版次Version 2017-4-12

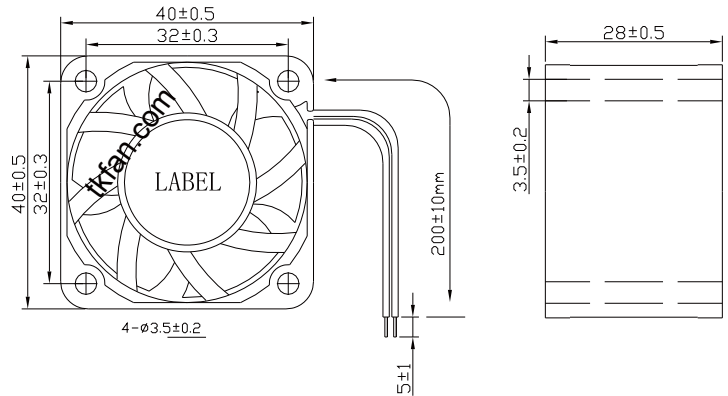
轴承结构：双滚珠、含油、液压、其他  
 Bearing: two ball、sleeve、HY、other  
 框外材质: 塑胶(等级:UL94V-0)  
 Frame:Plastic(Flammability:UL94V-0)  
 扇叶材质:塑胶:(等级:UL94V-0)  
 Impeller:Plastic:(Flammability:UL94V-0)  
 风扇单重:35g(Weight:35g)



## P@Q CURVE(AT RATEDVOLTAGE)



## DIMENSIONS DRAWING(unit:mm)



## 编码规则 Code Rule

例子 Example DCH12038H12B-DCH1701  
 DCH12038H12X-AY

Model No. is DCH12038H12X; Extro P/N code is AY  
 X means bearing type, can be S(sleeve bearing), can be B(ball bearing), can be Y(HY bearing), can be SU(sleeve with UL), can be BU(ball with UL), can be YU(HY with UL)  
 Y means special function code, it will be used for a certain parts no. or client.  
 产品型号 DCH12038H12X;附加代码 AY. X是一个不确定值,它代表了不同的轴承类型,  
 S(含油轴承),B(滚珠轴承),Y(液压轴承),SU(含油轴承带UL),BU(滚珠轴承带UL),YU(液压轴承带UL)  
 Y是一个不确定的值,它代表不同特殊风机功能,由具体客户或者料号来确定

Model	P/N Code	Rated Voltage	Operating Voltage Range	Rated Current	Rated Input Power	Speed	Maximum Air Flow		Maximum Air Pressure		Noise
型号	P/N 附加码	额定电压	工作电压范围	额定电流	额定输入功率	转速	最大风量		最大风压		噪音
PART.NO.	AY	VDC	VDC	Amp	Watt	R.P.M	M³/min	CFM	mmH2O	InH2O	dB-A
DA4028M12X		12	7~13.5	0.15	1.8	7000	0.247	8.73	6.07	0.239	36.6
DA4028H12X		12	7~13.5	0.23	2.76	8500	0.302	10.6	8.70	0.343	37.3
DA4028HH12X		12	7~13.5	0.31	3.72	10000	0.358	12.6	12.05	0.474	41.1
DA4028HV12X		12	7~13.5	0.40	4.8	12000	0.427	15.0	16.84	0.663	47.3
DA4028UH12X		12	7~13.5	0.48	5.76	14000	0.507	17.9	22.74	0.895	50.9
DA4028VH12X		12	7~13.5	0.6	7.2	16000	0.579	20.4	29.62	1.166	52.6
DA4028M24X		24	18~26.5	0.08	1.8	7000	0.247	8.73	6.07	0.239	36.6
DA4028H24X		24	18~26.5	0.115	2.76	8500	0.302	10.6	8.70	0.343	37.3
DA4028HH24X		24	18~26.5	0.16	3.72	10000	0.358	12.6	12.05	0.474	41.1
DA4028HV24X		24	18~26.5	0.2	4.8	12000	0.427	15.0	16.84	0.663	47.3
DA4028UH24X		24	18~26.5	0.24	5.76	14000	0.507	17.9	22.74	0.895	50.9
DA4028VH24X		24	18~26.5	0.3	7.2	16000	0.579	20.4	29.62	1.166	52.6



TKFAN®

SW

UL US CE RoHS

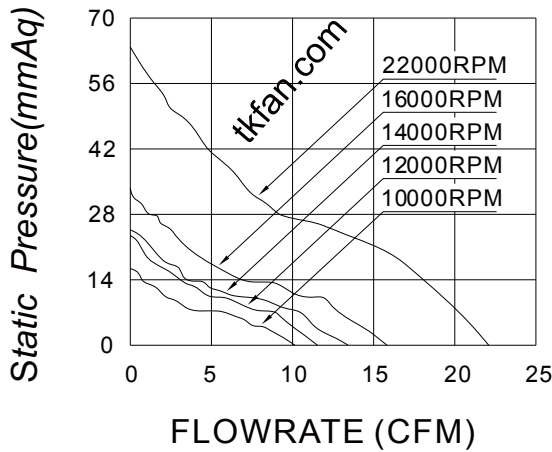
# DC Brushless FAN 40x40x28mm-B Type

版本Version 2018-11-27

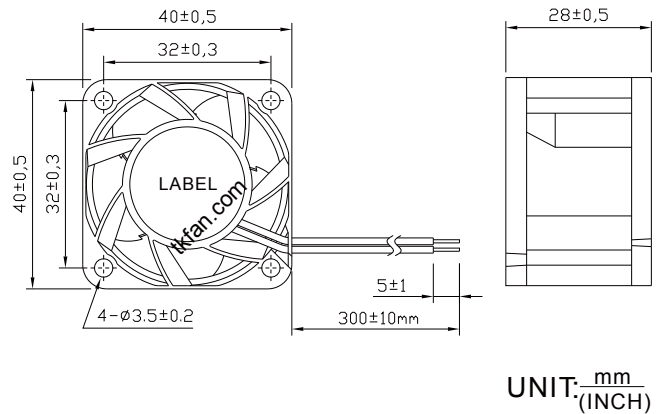
轴承结构：双滚珠、含油、液压、其他  
 Bearing: two ball、sleeve、HY、other  
 框外材质: 塑胶(等级:UL94V-0)  
 Frame:Plastic(Flammability:UL94V-0)  
 扇叶材质:塑胶:(等级:UL94V-0)  
 Impeller:Plastic:(Flammability:UL94V-0)  
 风扇单重:40g(Weight:40g)



## P@Q CURVE(AT RATEDVOLTAGE)



## DIMENSIONS DRAWING(unit:mm)



UNIT:  $\frac{mm}{(INCH)}$

## 编码规则 Code Rule

例子 Example DCH12038H12B-DCH1701  
 DCH12038H12X-AY

Model No. is DCH12038H12X; Extro P/N code is AY  
 X means bearing type, can be S(sleeve bearing), can be B(ball bearing), can be Y(HY bearing), can be SU(sleeve with UL), can be BU(ball with UL), can be YU(HY with UL)  
 Y means special function code, it will be used for a certain parts no. or client.  
 产品型号 DCH12038H12X;附加代码 AY. X是一个不确定值,它代表了不同的轴承类型,  
 S(含油轴承),B(滚珠轴承),Y(液压轴承),SU(含油轴承带UL),BU(滚珠轴承带UL),YU(液压轴承带UL)  
 Y是一个不确定的值,它代表不同特殊风机功能,由具体客户或者料号来确定

Model	P/N Code	Rated Voltage	Operating Voltage Range	Rated Current	Rated Input Power	Speed	Maximum Air Flow		Maximum Air Pressure		Noise
型号	P/N 附加码	额定电压	工作电压范围	额定电流	额定输入功率	转速	最大风量		最大风压		噪音
PART.NO.	BY	VDC	VDC	Amp	Watt	R.P.M	M³/min	CFM	mmH2O	InH2O	dB-A
DA4028HH12X		12	7.5~13.5	0.15	1.80	10000	0.29	10.26	16.0	0.63	32.2
DA4028HV12X		12	7.5~13.5	0.23	2.76	12000	0.33	11.76	22.7	0.89	38.6
DA4028UH12X		12	7.5~13.5	0.3	3.60	14000	0.38	13.43	24.2	0.95	45.0
DA4028VH12X		12	7.5~13.5	0.37	4.44	16000	0.45	15.84	32.0	1.26	51.5
DA4028LVH12X		12	7.5~13.5	0.6	7.20	22000	0.63	22.1	61.8	2.43	61.0
DA4028HH24X		24	18~26.5	0.08	1.92	10000	0.29	10.26	16.0	0.63	32.2
DA4028HV24X		24	18~26.5	0.12	2.88	12000	0.33	11.76	22.7	0.89	38.6
DA4028UH24X		24	18~26.5	0.15	3.60	14000	0.38	13.43	24.2	0.95	45.0
DA4028VH24X		24	18~26.5	0.19	4.56	16000	0.45	15.84	32.0	1.26	51.5
DA4028LVH24X		24	18~26.5	0.30	7.20	22000	0.63	22.1	61.8	2.43	61.0



TKFAN®

UL US CE RoHS

# DC Brushless FAN 40x40x28mm-CType

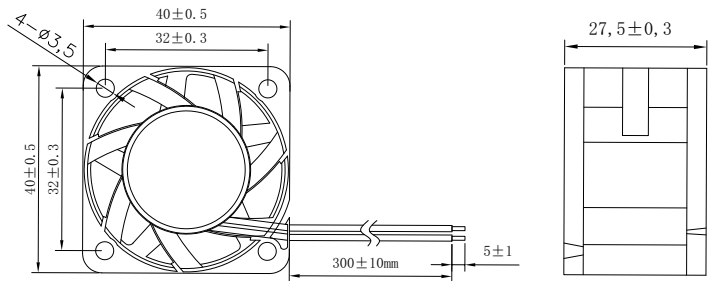
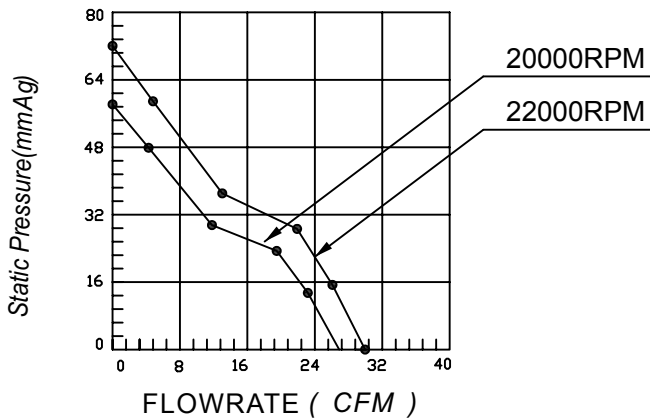
版次 Version 2022-8-17



轴承结构：双滚珠、含油、液压、其他  
 Bearing: two ball、sleeve、HY、other  
 框外材质: 塑料(等级:UL94V-0)  
 Frame:Plastic(Flammability:UL94V-0)  
 扇叶材质:塑胶:(等级:UL94V-0)  
 Impeller:Plastic:(Flammability:UL94V-0)  
 风扇单重:238g(Weight:238g)

## P@Q CURVE(AT RATEDVOLTAGE)

## DIMENSIONS DRAWING(unit:mm)



## 编码规则 Code Rule

例子 Example DCH12038H12B-DAH1701  
DCH12038H12X-AY

Model No. is DCH12038H12X; Extro P/N code is AY  
 X means bearing type, can be S(sleeve bearing), can be B(ball bearing), can be Y(HY bearing), can be SU(sleeve with UL), can be BU(ball with UL), can be YU(HY with UL)  
 Y means special function code, it will be used for a certain parts no. or client.  
 产品型号 DCH12038H12X;附加代码 AY. X是一个不确定值,它代表了不同的轴承类型,  
 S(含油轴承),B(滚珠轴承),Y(液压轴承),SU(含油轴承带UL),BU(滚珠轴承带UL),YU(液压轴承带UL)  
 Y是一个不确定的值,它代表不同特殊风机功能,由具体客户或者料号来确定

Model	P/N Code	Rated Voltage	Operating Voltage Range	Rated Current	Rated Input Power	Speed	Maximum Air Flow		Maximum Air Pressure		Noise
型号	P/N 附加码	额定电压	工作电压范围	额定电流	额定输入功率	转速	最大风量		最大风压		噪音
PART.NO.	CY	VDC	VDC	Amp	Watt	R.P.M	M³/min	CFM	mmH2O	InH2O	dB-A
DA4028VH12X		12	7.5~13.5	0.9	10.8	20000	0.753	26.6	57.6	2.269	61.3
DA4028LVH12X		12	7.5~13.5	1.2	14.4	22000	0.84	29.7	71.3	2.808	64.5
DA4028VH24X		24	18~26.5	0.45	10.8	20000	0.753	26.6	57.6	2.269	61.3
DA4028LVH24X	24	18~26.5	0.6	14.4	22000	0.84	29.7	71.3	2.808	64.5	



TKFAN®

UL US CE RoHS

# DC Brushless FAN 40x40x28mm-DType

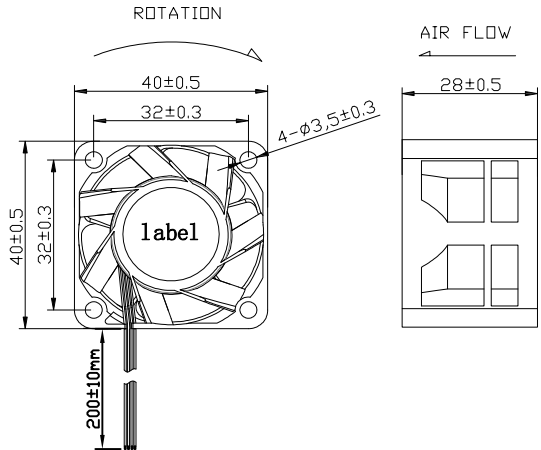
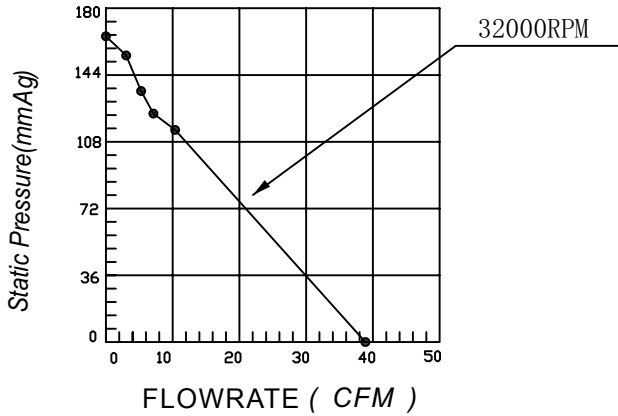
版次 Version 2022-8-13



- 轴承结构：双滚珠
- Bearing: two ball
- 框外材质: 塑料(等级:UL94V-0)
- Frame:Plastic(Flammability:UL94V-0)
- 扇叶材质:塑胶:(等级:UL94V-0)
- Impeller:Plastic:(Flammability:UL94V-0)
- 风扇单重:49g(Weight:49g)

## P@Q CURVE(AT RATEDVOLTAGE)

## DIMENSIONS DRAWING(unit:mm)



## 编码规则 Code Rule

例子 Example DCH12038H12B-DAH1701  
DCH12038H12X-AY

Model No. is DCH12038H12X; Extro P/N code is AY  
 X means bearing type, can be S(sleeve bearing), can be B(ball bearing), can be Y(HY bearing), can be SU(sleeve with UL), can be BU(ball with UL), can be YU(HY with UL)  
 Y means special function code, it will be used for a certain parts no. or client.  
 产品型号 DCH12038H12X;附加代码 AY. X是一个不确定值,它代表了不同的轴承类型,  
 S(含油轴承),B(滚珠轴承),Y(液压轴承),SU(含油轴承带UL),BU(滚珠轴承带UL),YU(液压轴承带UL)  
 Y是一个不确定的值,它代表不同特殊风机功能,由具体客户或者料号来确定

Model	P/N Code	Rated Voltage	Operating Voltage Range	Rated Current	Rated Input Power	Speed	Maximum Air Flow		Maximum Air Pressure		Noise
型号	P/N 附加码	额定电压	工作电压范围	额定电流	额定输入功率	转速	最大风量		最大风压		噪音
PART.NO.	DY	VDC	VDC	Amp	Watt	R.P.M	M³/min	CFM	mmH2O	InH2O	dB-A
DA4028VH12X		12	7.5~13.5	2.8	33.6	32000	1.09	38.5	163.5	6.44	72.2
DA4028VH24X		24	18~26.5	1.4	33.6	32000	1.09	38.5	163.5	6.44	72.2



TKFAN®

C<sub>RU</sub> US CE RoHS

# DC Brushless FAN 50x50x10mm-A Type

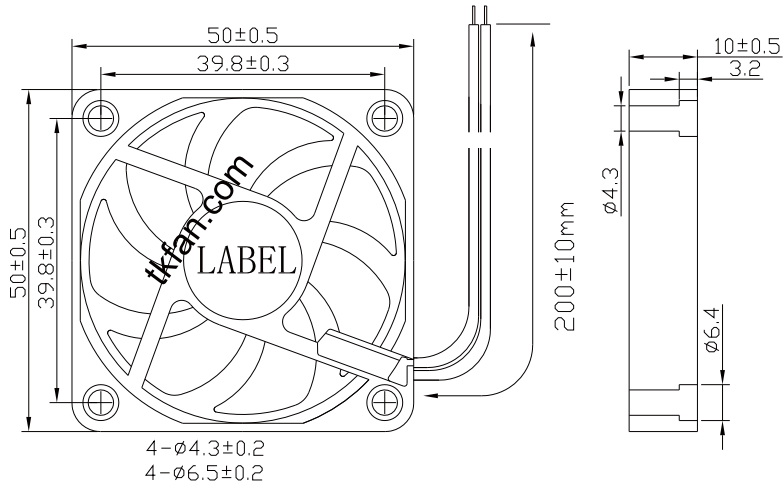
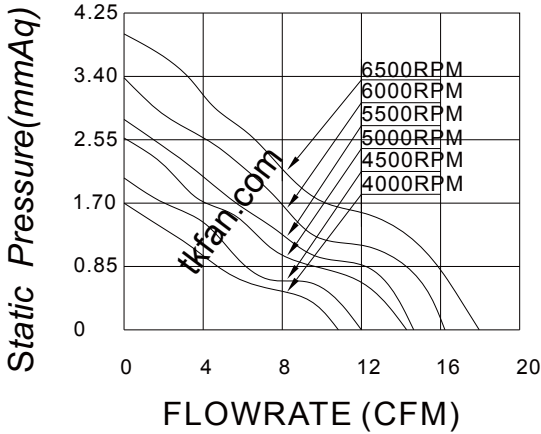
版次Version 2017-4-12

轴承结构：双滚珠、含油、液压、其他  
 Bearing: two ball、sleeve、HY、other  
 框外材质: 塑胶(等级:UL94V-0)  
 Frame:Plastic(Flammability:UL94V-0)  
 扇叶材质:塑胶:(等级:UL94V-0)  
 Impeller:Plastic:(Flammability:UL94V-0)  
 风扇单重:15g(Weight:15g)



## P@Q CURVE(AT RATEDVOLTAGE)

## DIMENSIONS DRAWING(unit:mm)



## 编码规则 Code Rule

例子 Example DCH12038H12B-DCH1701  
 DCH12038H12X-AY

Model No. is DCH12038H12X; Extro P/N code is AY  
 X means bearing type, can be S(sleeve bearing), can be B(ball bearing), can be Y(HY bearing), can be SU(sleeve with UL), can be BU(ball with UL), can be YU(HY with UL)  
 Y means special function code, it will be used for a certain parts no. or client.  
 产品型号 DCH12038H12X; 附加代码 AY. X是一个不确定值, 它代表了不同的轴承类型,  
 S(含油轴承), B(滚珠轴承), Y(液压轴承), SU(含油轴承带UL), BU(滚珠轴承带UL), YU(液压轴承带UL)  
 Y是一个不确定的值, 它代表不同特殊风机功能, 由具体客户或者料号来确定

Model	P/N Code	Rated Voltage	Operating Voltage Range	Rated Current	Rated Input Power	Speed	Maximum Air Flow		Maximum Air Pressure		Noise
型号	P/N 附加码	额定电压	工作电压范围	额定电流	额定输入功率	转速	最大风量		最大风压		噪音
PART.NO.	AY	VDC	VDC	Amp	Watt	R.P.M	M³/min	CFM	mmH2O	InH2O	dB-A
DA5010L05X		5	1.8~3~6	0.072	0.36	4000	0.231	8.14	1.65	0.065	26.8
DA5010LM05X		5	1.8~3~6	0.096	0.48	4500	0.257	9.09	2.05	0.081	29.7
DA5010M05X		5	1.8~3~6	0.12	0.60	5000	0.300	10.5	2.58	0.102	31.0
DA5010LH05X		5	1.8~3~6	0.144	0.72	5500	0.308	10.8	2.84	0.112	33.5
DA5010H05X		5	1.8~3~6	0.168	0.84	6000	0.345	12.1	3.34	0.131	34.2
DA5010HH05X		5	1.8~3~6	0.19	0.96	6500	0.380	13.4	3.85	0.152	36.8
DA5010L12X		12	8.5~13.5	0.03	0.36	4000	0.231	8.14	1.65	0.065	26.8
DA5010LM12X		12	8.5~13.5	0.04	0.48	4500	0.257	9.09	2.05	0.081	29.7
DA5010M12X		12	8.5~13.5	0.05	0.60	5000	0.300	10.5	2.58	0.102	31.0
DA5010LH12X		12	8.5~13.5	0.06	0.72	5500	0.308	10.8	2.84	0.112	33.5
DA5010H12X		12	8.5~13.5	0.07	0.84	6000	0.345	12.1	3.34	0.131	34.2
DA5010HH12X		12	8.5~13.5	0.08	0.96	6500	0.380	13.4	3.85	0.152	36.8



TKFAN®

C US RoHS

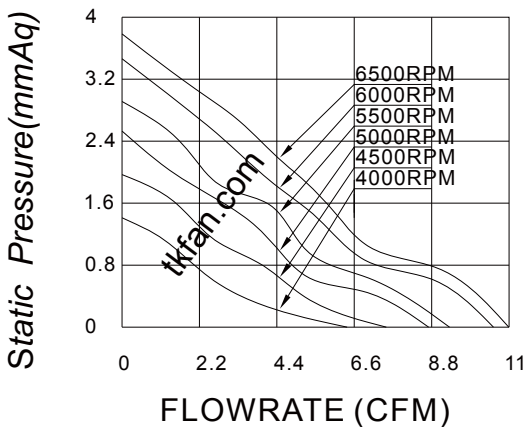
# DC Brushless FAN 50x50x10mm-B Type

版次Version 2017-4-12

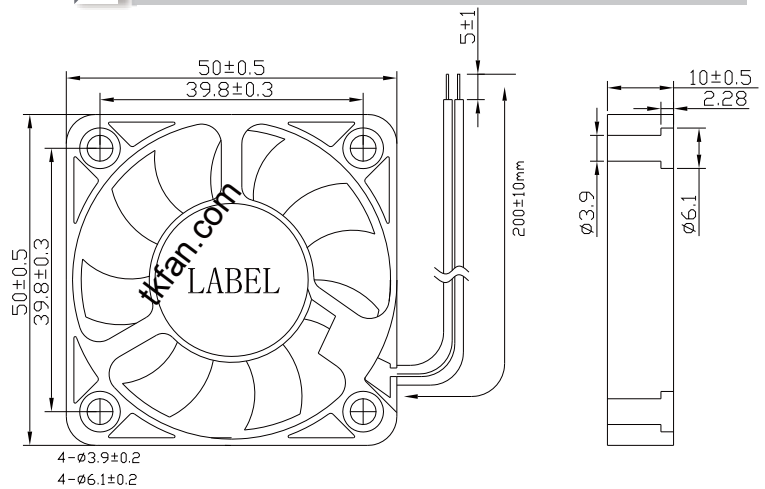
轴承结构：双滚珠、含油、液压、其他  
 Bearing: two ball、sleeve、HY、other  
 框外材质: 塑胶(等级:UL94V-0)  
 Frame:Plastic(Flammability:UL94V-0)  
 扇叶材质:塑胶:(等级:UL94V-0)  
 Impeller:Plastic:(Flammability:UL94V-0)  
 风扇单重:15g(Weight:15g)



## P@Q CURVE(AT RATEDVOLTAGE)



## DIMENSIONS DRAWING(unit:mm)



## 编码规则 Code Rule

例子 Example DCH12038H12B-DCH1701  
 DCH12038H12X-AY

Model No. is DCH12038H12X; Extro P/N code is AY

X means bearing type, can be S(sleeve bearing), can be B(ball bearing), can be Y(HY bearing), can be SU(sleeve with UL), can be BU(ball with UL), can be YU(HY with UL)

Y means special function code, it will be used for a certain parts no. or client.

产品型号 DCH12038H12X; 附加代码 AY. X是一个不确定值, 它代表了不同的轴承类型,

S(含油轴承), B(滚珠轴承), Y(液压轴承), SU(含油轴承带UL), BU(滚珠轴承带UL), YU(液压轴承带UL)

Y是一个不确定的值, 它代表不同特殊风机功能, 由具体客户或者料号来确定

Model	P/N Code	Rated Voltage	Operating Voltage Range	Rated Current	Rated Input Power	Speed	Maximum Air Flow		Maximum Air Pressure		Noise
型号	P/N 附加码	额定电压	工作电压范围	额定电流	额定输入功率	转速	最大风量		最大风压		噪音
PART.NO.	BY	VDC	VDC	Amp	Watt	R.P.M	M <sup>3</sup> /min	CFM	mmH2O	InH2O	dB-A
DA5010L05X		5	1.8~3~6	0.072	0.36	4000	0.180	6.34	1.37	0.054	22.1
DA5010LM05X		5	1.8~3~6	0.096	0.48	4500	0.216	7.62	1.98	0.078	27.1
DA5010M05X		5	1.8~3~6	0.12	0.60	5000	0.245	8.65	2.53	0.099	31.8
DA5010LH05X		5	1.8~3~6	0.144	0.72	5500	0.258	9.12	2.92	0.115	35.1
DA5010H05X		5	1.8~3~6	0.168	0.84	6000	0.301	10.6	3.45	0.136	37.6
DA5010HH05X		5	1.8~3~6	0.19	0.96	6500	0.309	10.9	3.77	0.148	40.0
DA5010L12X		12	8.5~13.5	0.03	0.36	4000	0.180	6.34	1.37	0.054	22.1
DA5010LM12X		12	8.5~13.5	0.04	0.48	4500	0.216	7.62	1.98	0.078	27.1
DA5010M12X		12	8.5~13.5	0.05	0.60	5000	0.245	8.65	2.53	0.099	31.8
DA5010LH12X		12	8.5~13.5	0.06	0.72	5500	0.258	9.12	2.92	0.115	35.1
DA5010H12X		12	8.5~13.5	0.07	0.84	6000	0.301	10.6	3.45	0.136	37.6
DA5010HH12X		12	8.5~13.5	0.08	0.96	6500	0.309	10.9	3.77	0.148	40.0



TKFAN®

C US CE RoHS

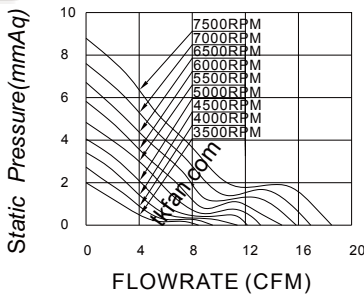
# DC Brushless FAN 50x50x15mm-A Type

版次Version 2017-4-12

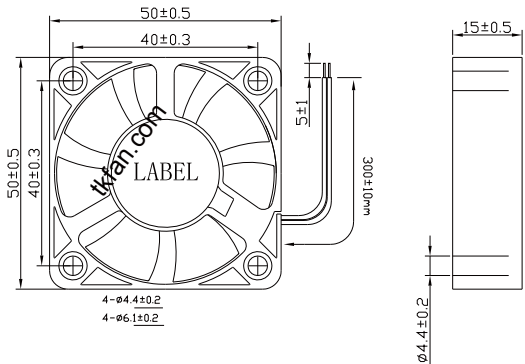
轴承结构：双滚珠、含油、液压、其他  
 Bearing: two ball、sleeve、HY、other  
 框外材质: 塑胶(等级:UL94V-0)  
 Frame:Plastic(Flammability:UL94V-0)  
 扇叶材质:塑胶:(等级:UL94V-0)  
 Impeller:Plastic:(Flammability:UL94V-0)  
 风扇单重:27g(Weight:27g)



## P@Q CURVE(AT RATEDVOLTAGE)



## DIMENSIONS DRAWING(unit:mm)



## 编码规则 Code Rule

例子 Example DCH12038H12B-DCH1701  
 DCH12038H12X-AY

Model No. is DCH12038H12X; Extro P/N code is AY  
 X means bearing type, can be S(sleeve bearing), can be B(ball bearing), can be Y(HY bearing), can be SU(sleeve with UL), can be BU(ball with UL), can be YU(HY with UL)  
 Y means special function code, it will be used for a certain parts no. or client.  
 产品型号 DCH12038H12X; 附加代码 AY. X是一个不确定值, 它代表了不同的轴承类型,  
 S(含油轴承), B(滚珠轴承), Y(液压轴承), SU(含油轴承带UL), BU(滚珠轴承带UL), YU(液压轴承带UL)  
 Y是一个不确定的值, 它代表不同特殊风机功能, 由具体客户或者料号来确定

Model	P/N Code	Rated Voltage	Operating Voltage Range	Rated Current	Rated Input Power	Speed	Maximum Air Flow		Maximum Air Pressure		Noise
型号	P/N 附加码	额定电压	工作电压范围	额定电流	额定输入功率	转速	最大风量		最大风压		噪音
PART.NO.		VDC	VDC	Amp	Watt	R.P.M	M³/min	CFM	mmH2O	InH2O	dB-A
DA5015H05X	AY	5	1.8~3~6	0.12	0.6	3500	0.241	8.52	2.06	0.081	24.1
DA5015HH05X		5	1.8~3~6	0.144	0.72	4000	0.277	9.77	2.76	0.109	28.1
DA5015VH05X		5	1.8~3~6	0.192	0.96	4500	0.308	10.8	3.37	0.133	31.2
DA5015HV05X		5	1.8~3~6	0.24	1.2	5000	0.343	12.1	4.04	0.159	33.9
DA5015H12X		12	7~13.5	0.05	0.6	3500	0.241	8.52	2.06	0.081	24.1
DA5015HH12X		12	7~13.5	0.06	0.72	4000	0.277	9.77	2.76	0.109	28.1
DA5015VH12X		12	7~13.5	0.08	0.96	4500	0.308	10.8	3.37	0.133	31.2
DA5015HV12X		12	7~13.5	0.1	1.2	5000	0.343	12.1	4.04	0.159	33.9
DA5015LH12X		12	7~13.5	0.14	1.68	5500	0.380	13.4	4.84	0.191	37.7
DA5015HL12X		12	7~13.5	0.18	2.16	6000	0.416	14.6	5.76	0.228	39.4
DA5015MH12X		12	7~13.5	0.24	2.88	6500	0.449	15.8	6.68	0.263	41.2
DA5015HM12X		12	7~13.5	0.3	3.6	7500	0.519	18.3	8.68	0.342	46.1
DA5015VH24X		24	18~26.5	0.04	0.96	4500	0.308	10.8	3.37	0.133	31.2
DA5015HV24X		24	18~26.5	0.05	1.2	5000	0.343	12.1	4.04	0.159	33.9
DA5015LH24X		24	18~26.5	0.07	1.68	5500	0.380	13.4	4.84	0.191	37.7
DA5015HL24X		24	18~26.5	0.09	2.16	6000	0.416	14.6	5.76	0.228	39.4
DA5015MH24X		24	18~26.5	0.12	2.88	6500	0.449	15.8	6.68	0.263	41.2
DA5015HM24X		24	18~26.5	0.15	3.6	7500	0.519	18.3	8.68	0.342	46.1



TKFAN®

UL US CE RoHS

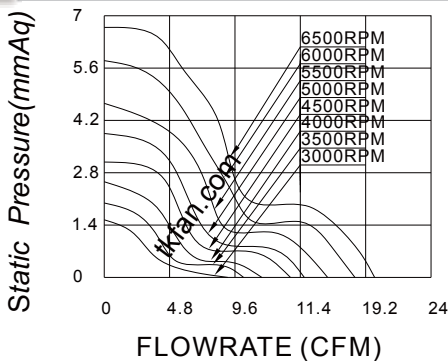
# DC Brushless FAN 50x50x20m-A Type

版次Version 2017-4-12

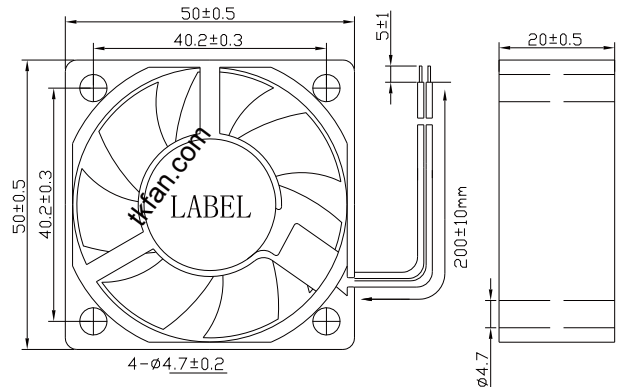
轴承结构：双滚珠、含油、液压、其他  
 Bearing: two ball、sleeve、HY、other  
 框外材质: 塑胶(等级:UL94V-0)  
 Frame:Plastic(Flammability:UL94V-0)  
 扇叶材质:塑胶:(等级:UL94V-0)  
 Impeller:Plastic:(Flammability:UL94V-0)  
 风扇单重:32g(Weight:32g)



## P@Q CURVE(AT RATEDVOLTAGE)



## DIMENSIONS DRAWING(unit:mm)



## 编码规则 Code Rule

例子 Example DCH12038H12B-DCH1701  
 DCH12038H12X-AY

Model No. is DCH12038H12X; Extro P/N code is AY  
 X means bearing type, can be S(sleeve bearing), can be B(ball bearing), can be Y(HY bearing), can be SU(sleeve with UL), can be BU(ball with UL), can be YU(HY with UL)  
 Y means special function code, it will be used for a certain parts no. or client.  
 产品型号 DCH12038H12X;附加代码 AY. X是一个不确定值,它代表了不同的轴承类型,  
 S(含油轴承),B(滚珠轴承),Y(液压轴承),SU(含油轴承带UL),BU(滚珠轴承带UL),YU(液压轴承带UL)  
 Y是一个不确定的值,它代表不同特殊风机功能,由具体客户或者料号来确定

Model	P/N Code	Rated Voltage	Operating Voltage Range	Rated Current	Rated Input Power	Speed	Maximum Air Flow		Maximum Air Pressure		Noise
型号	P/N 附加码	额定电压	工作电压范围	额定电流	额定输入功率	转速	最大风量		最大风压		噪音
PART.NO.		VDC	VDC	Amp	Watt	R.P.M	M³/min	CFM	mmH2O	InH2O	dB-A
DA5020VL12X	AY	12	7~13.5	0.06	0.72	3000	0.251	8.85	1.53	0.060	22.3
DA5020LL12X		12	7~13.5	0.08	0.96	3500	0.283	10.3	1.99	0.078	24.2
DA5020L12X		12	7~13.5	0.1	1.2	4000	0.338	11.9	2.57	0.101	26.0
DA5020M12X		12	7~13.5	0.14	1.68	4500	0.380	13.4	3.15	0.124	30.2
DA5020MH12X		12	7~13.5	0.18	2.16	5000	0.417	14.7	3.84	0.151	34.5
DA5020H12X		12	7~13.5	0.22	2.64	5500	0.471	16.6	4.69	0.185	36.8
DA5020LH12X		12	7~13.5	0.24	2.88	6000	0.521	18.4	5.81	0.229	40.6
DA5020HH12X		12	7~13.5	0.28	3.36	6500	0.570	20.1	6.71	0.264	41.4
DA5020VL24X		24	18~26.5	0.03	0.72	3000	0.251	8.85	1.53	0.060	22.3
DA5020LL24X		24	18~26.5	0.04	0.96	3500	0.283	10.3	1.99	0.078	24.2
DA5020L24X		24	18~26.5	0.05	1.2	4000	0.338	11.9	2.57	0.101	26.0
DA5020M24X		24	18~26.5	0.07	1.68	4500	0.380	13.4	3.15	0.124	30.2
DA5020MH24X		24	18~26.5	0.09	2.16	5000	0.417	14.7	3.84	0.151	34.5
DA5020H24X		24	18~26.5	0.11	2.64	5500	0.471	16.6	4.69	0.185	36.8
DA5020LH24X		24	18~26.5	0.12	2.88	6000	0.521	18.4	5.81	0.229	40.6
DA5020HH24X		24	18~26.5	0.14	3.36	6500	0.570	20.1	6.71	0.264	41.4



TKFAN®

C CE RoHS

87 '6 fi g\ `Ygg': 5 B  
 ) \$! ) \$! &) a a !5 'HmdY

X^!·ā } Åēēēēēēēēēēē

轴承结构：双滚珠

Ó^æā \* KÁ, [ Åæ]

框外材质: 塑胶(等级KWSJ XEED

Ø|æ ^KPlastic: Ø|æ { æāāc KUL.JI XEED

扇叶材质: 塑胶K等级KWSJ XEED

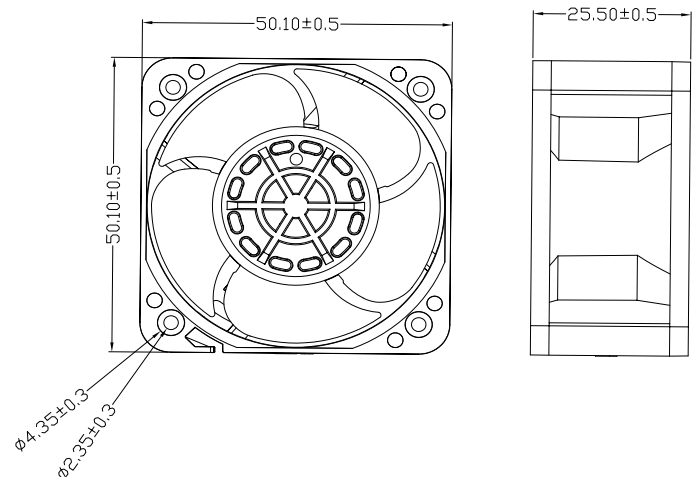
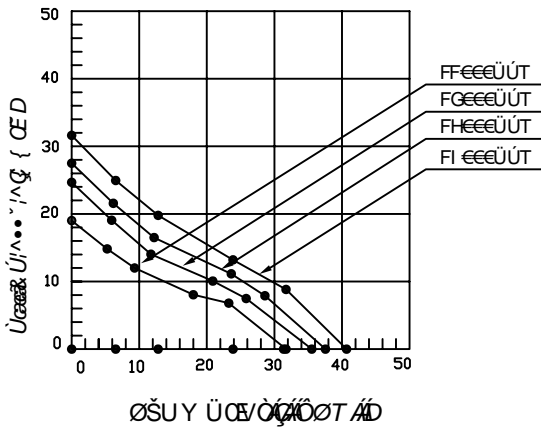
Q ] ^||^! KÚ|æ cāKØ|æ { æāāc KWSJ XEED

风扇单重: iï \* QY ^ã @Kï \* D



ÚÓ ÚÁÓWÜXÒÇVÁÜØVÒÖXUŠVÖÖÒD

ÄÖQ ÒPÙQÞÙÄÜÖEY Q ÖÇ } äK { D



**编码规则 Code Rule**

例子 Example DCH12038H12B-DAH1701  
 DCH12038H12X-AY

Model No. is DCH12038H12X; Extro P/N code is AY  
 X means bearing type, can be S(sleeve bearing), can be B(ball bearing), can be Y(HY bearing), can be SU(sleeve with UL), can be BU(ball with UL), can be YU(HY with UL)  
 Y means special function code, it will be used for a certain parts no. or client.  
 产品型号 DCH12038H12X;附加代码 AY. X是一个不确定值,它代表了不同的轴承类型, S(含油轴承),B(滚珠轴承),Y(液压轴承),SU(含油轴承带UL),BU(滚珠轴承带UL),YU(液压轴承带UL) Y是一个不确定的值,它代表不同特殊风机功能,由具体客户或者料号来确定

Model	P/N Code	Rated Voltage	Operating Voltage Range	Rated Current	Rated Input Power	Speed	Maximum Air Flow		Maximum Air Pressure		Noise
型号	P/N 附加	额定电压	工作电压范围	额定电流	额定输入功率	转速	最大风量	最大风量	最大风压	最大风压	噪音
PART.NO.	AY	VDC	VDC	Amp	Watt	R.P.M	M³/min	CFM	mmH2O	InH2O	dB-A
DA5025L12X		12	7~13.5	0.3	3.6	11000	0.897	31.7	19.0	0.748	48.4
DA5025M12X		12	7~13.5	0.37	4.44	12000	1.005	35.5	24.6	0.969	52.2
DA5025H12X		12	7~13.5	0.5	6	13000	1.062	37.5	27.5	1.083	55.9
DA5025HH12X		12	7~13.5	0.56	6.72	14000	1.150	40.6	31.6	1.245	56.8
DA5025L24X		24	18~26.5	0.15	3.6	11000	0.897	31.7	19.0	0.748	48.4
DA5025M24X		24	18~26.5	0.185	4.44	12000	1.005	35.5	24.6	0.969	52.2
DA5025H24X		24	18~26.5	0.25	6	13000	1.062	37.5	27.5	1.083	55.9
DA5025HH24X	24	18~26.5	0.28	6.72	14000	1.150	40.6	31.6	1.245	56.8	



TKFAN®

UL US CE RoHS

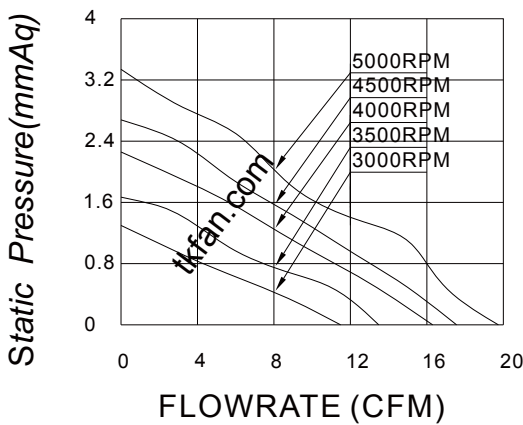
# DC Brushless FAN 60x60x10m-A Type

版次Version 2017-4-12

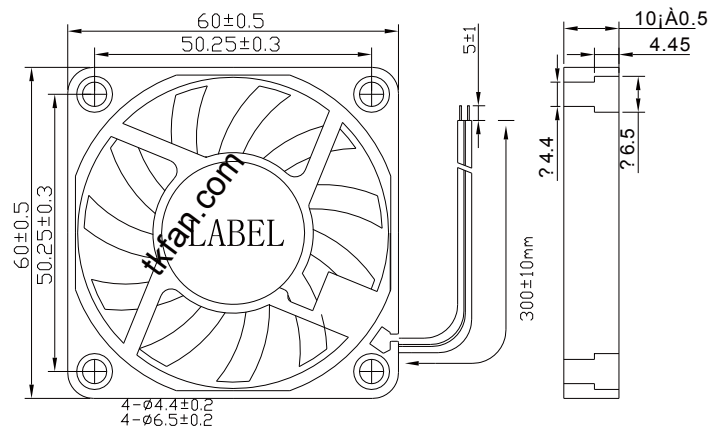
轴承结构：双滚珠、含油、液压、其他  
 Bearing: two ball、sleeve、HY、other  
 框外材质: 塑胶(等级:UL94V-0)  
 Frame:Plastic(Flammability:UL94V-0)  
 扇叶材质:塑胶:(等级:UL94V-0)  
 Impeller:Plastic:(Flammability:UL94V-0)  
 风扇单重:21g(Weight:21g)



## P@Q CURVE(AT RATEDVOLTAGE)



## DIMENSIONS DRAWING(unit:mm)



## 编码规则 Code Rule

例子 Example DCH12038H12B-DCH1701  
 DCH12038H12X-AY

Model No. is DCH12038H12X; Extro P/N code is AY  
 X means bearing type, can be S(sleeve bearing), can be B(ball bearing), can be Y(HY bearing), can be SU(sleeve with UL), can be BU(ball with UL), can be YU(HY with UL)  
 Y means special function code, it will be used for a certain parts no. or client.  
 产品型号 DCH12038H12X;附加代码 AY. X是一个不确定值,它代表了不同的轴承类型,  
 S(含油轴承),B(滚珠轴承),Y(液压轴承),SU(含油轴承带UL),BU(滚珠轴承带UL),YU(液压轴承带UL)  
 Y是一个不确定的值,它代表不同特殊风机功能,由具体客户或者料号来确定

Model	P/N Code	Rated Voltage	Operating Voltage Range	Rated Current	Rated Input Power	Speed	Maximum Air Flow		Maximum Air Pressure		Noise
型号	P/N 附加码	额定电压	工作电压范围	额定电流	额定输入功率	转速	最大风量		最大风压		噪音
PART.NO.	AY	VDC	VDC	Amp	Watt	R.P.M	M³/min	CFM	mmH2O	InH2O	dB-A
DA6010L05X		5	1.8~3~6	0.072	0.36	3000	0.325	11.4	1.30	0.051	25.3
DA6010M05X		5	1.8~3~6	0.096	0.48	3500	0.381	13.4	1.67	0.066	29.3
DA6010H05X		5	1.8~3~6	0.12	0.60	4000	0.461	16.2	2.29	0.090	32.8
DA6010HH05X		5	1.8~3~6	0.144	0.72	4500	0.501	17.7	2.72	0.107	35.9
DA6010VH05X		5	1.8~3~6	0.168	0.84	5000	0.550	19.4	3.34	0.131	39.0
DA6010L12X		12	8.5~13.5	0.03	0.36	3000	0.325	11.4	1.30	0.051	25.3
DA6010M12X		12	8.5~13.5	0.04	0.48	3500	0.381	13.4	1.67	0.066	29.3
DA6010H12X		12	8.5~13.5	0.05	0.60	4000	0.461	16.2	2.29	0.090	32.8
DA6010HH12X		12	8.5~13.5	0.06	0.72	4500	0.501	17.7	2.72	0.107	35.9
DA6010VH12X		12	8.5~13.5	0.07	0.84	5000	0.550	19.4	3.34	0.131	39.0



TKFAN®

UL US CE RoHS

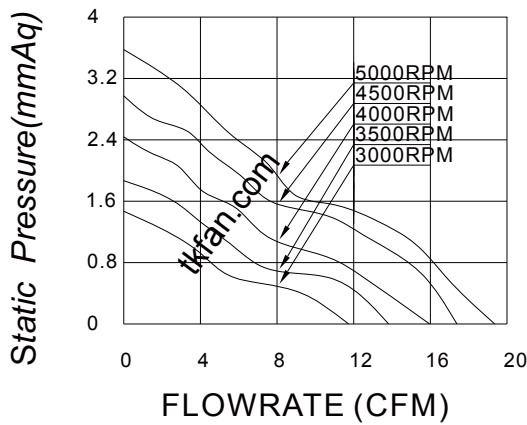
# DC Brushless FAN 60x60x10m-B Type

版次Version 2017-4-12

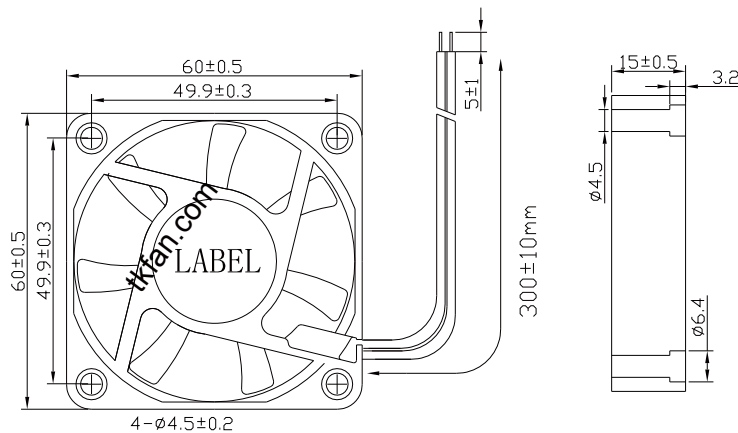
轴承结构：双滚珠、含油、液压、其他  
 Bearing: two ball、sleeve、HY、other  
 框外材质: 塑胶(等级:UL94V-0)  
 Frame:Plastic(Flammability:UL94V-0)  
 扇叶材质:塑胶:(等级:UL94V-0)  
 Impeller:Plastic:(Flammability:UL94V-0)  
 风扇单重:21g(Weight:21g)



## P@Q CURVE(AT RATEDVOLTAGE)



## DIMENSIONS DRAWING(unit:mm)



## 编码规则 Code Rule

例子 Example DCH12038H12B-DCH1701  
DCH12038H12X-AY

Model No. is DCH12038H12X; Extro P/N code is AY

X means bearing type, can be S(sleeve bearing), can be B(ball bearing), can be Y(HY bearing), can be SU(sleeve with UL), can be BU(ball with UL), can be YU(HY with UL)

Y means special function code, it will be used for a certain parts no. or client.

产品型号 DCH12038H12X; 附加代码 AY. X是一个不确定值, 它代表了不同的轴承类型.

S(含油轴承), B(滚珠轴承), Y(液压轴承), SU(含油轴承带UL), BU(滚珠轴承带UL), YU(液压轴承带UL)

Y是一个不确定的值, 它代表不同特殊风机功能, 由具体客户或者料号来确定

Model	P/N Code	Rated Voltage	Operating Voltage Range	Rated Current	Rated Input Power	Speed	Maximum Air Flow		Maximum Air Pressure		Noise
型号	P/N 附加码	额定电压	工作电压范围	额定电流	额定输入功率	转速	最大风量		最大风压		噪音
PART.NO.	BY	VDC	VDC	Amp	Watt	R.P.M	M³/min	CFM	mmH2O	InH2O	dB-A
DA6010L05X		5	1.8~3~6	0.072	0.36	3000	0.329	11.6	1.48	0.058	21.0
DA6010M05X		5	1.8~3~6	0.096	0.48	3500	0.389	13.7	1.83	0.072	24.4
DA6010H05X		5	1.8~3~6	0.12	0.60	4000	0.451	15.9	2.43	0.096	29.5
DA6010HH05X		5	1.8~3~6	0.144	0.72	4500	0.502	17.7	2.95	0.116	30.5
DA6010VH05X		5	1.8~3~6	0.168	0.84	5000	0.547	19.3	3.56	0.140	34.4
DA6010L12X		12	8.5~13.5	0.03	0.36	3000	0.329	11.6	1.48	0.058	21.0
DA6010M12X		12	8.5~13.5	0.04	0.48	3500	0.389	13.7	1.83	0.072	24.4
DA6010H12X		12	8.5~13.5	0.05	0.60	4000	0.451	15.9	2.43	0.096	29.5
DA6010HH12X		12	8.5~13.5	0.06	0.72	4500	0.502	17.7	2.95	0.116	30.5
DA6010VH12X		12	8.5~13.5	0.07	0.84	5000	0.547	19.3	3.56	0.140	34.4



TKFAN®

UL US CE RoHS

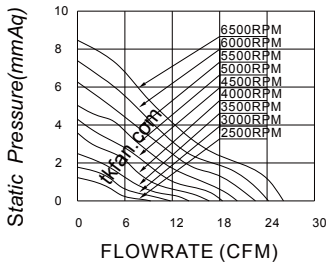
# DC Brushless FAN 60x60x15m-A Type

版次Version 2017-4-12

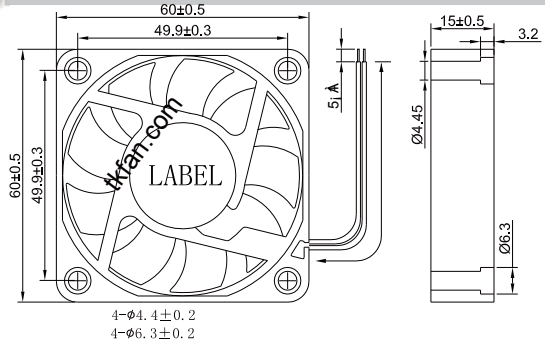
轴承结构：双滚珠、含油、液压、其他  
 Bearing: two ball、sleeve、HY、other  
 框外材质: 塑胶(等级:UL94V-0)  
 Frame:Plastic(Flammability:UL94V-0)  
 扇叶材质:塑胶:(等级:UL94V-0)  
 Impeller:Plastic:(Flammability:UL94V-0)  
 风扇单重:38g(Weight:38g)



## P@Q CURVE(AT RATEDVOLTAGE)



## DIMENSIONS DRAWING(unit:mm)



## 编码规则 Code Rule

例子 Example DCH12038H12B-DCH1701  
 DCH12038H12X-AY

Model No. is DCH12038H12X; Extro P/N code is AY  
 X means bearing type, can be S(sleeve bearing), can be B(ball bearing), can be Y(HY bearing), can be SU(sleeve with UL), can be BU(ball with UL), can be YU(HY with UL)  
 Y means special function code, it will be used for a certain parts no. or client.  
 产品型号 DCH12038H12X;附加代码 AY. X是一个不确定值,它代表了不同的轴承类型,  
 S(含油轴承),B(滚珠轴承),Y(液压轴承),SU(含油轴承带UL),BU(滚珠轴承带UL),YU(液压轴承带UL)  
 Y是一个不确定的值,它代表不同特殊风机功能,由具体客户或者料号来确定

Model	P/N Code	Rated Voltage	Operating Voltage Range	Rated Current	Rated Input Power	Speed	Maximum Air Flow		Maximum Air Pressure		Noise
型号	P/N 附加码	额定电压	工作电压范围	额定电流	额定输入功率	转速	最大风量	最大风压	最大风压	最大风压	噪音
PART.NO.	AY	VDC	VDC	Amp	Watt	R.P.M	M³/min	CFM	mmH2O	InH2O	dB-A
DA6015L05X		5	1.8~3~6	0.14	0.72	2000	0.268	9.41	1.34	0.053	21.1
DA6015M05X		5	1.8~3~6	0.19	0.96	3000	0.328	11.5	1.86	0.073	24.8
DA6015ML05X		5	1.8~3~6	0.24	1.2	3500	0.406	14.2	2.61	0.103	29.8
DA6015H05X		5	1.8~3~6	0.29	1.44	4000	0.468	16.4	3.5	0.138	31.2
DA6015L12X		12	7~13.5	0.06	0.72	2000	0.268	9.41	1.34	0.053	21.1
DA6015M12X		12	7~13.5	0.08	0.96	3000	0.328	11.5	1.86	0.073	24.8
DA6015ML12X		12	7~13.5	0.1	1.2	3500	0.406	14.2	2.61	0.103	29.8
DA6015H12X		12	7~13.5	0.12	1.44	4000	0.468	16.4	3.5	0.138	31.2
DA6015HL12X		12	7~13.5	0.14	1.68	4500	0.524	18.3	4.35	0.171	34.8
DA6015HH12X		12	7~13.5	0.16	1.92	5000	0.584	20.5	5.34	0.210	36.6
DA6015HV12X		12	7~13.5	0.18	2.16	5500	0.640	22.4	6.35	0.25	39.0
DA6015VH12X		12	7~13.5	0.2	2.4	6000	0.603	21.1	7.33	0.289	41.0
DA6015L24X		24	18~26.5	0.03	0.72	2000	0.268	9.41	1.34	0.053	21.1
DA6015M24X		24	18~26.5	0.04	0.96	3000	0.328	11.5	1.86	0.073	24.8
DA6015ML24X		24	18~26.5	0.05	1.2	3500	0.406	14.2	2.61	0.103	29.8
DA6015H24X		24	18~26.5	0.06	1.44	4000	0.468	16.4	3.5	0.138	31.2
DA6015HL24X		24	18~26.5	0.07	1.68	4500	0.524	18.3	4.35	0.171	34.8
DA6015HH24X		24	18~26.5	0.08	1.92	5000	0.584	20.5	5.34	0.210	36.6
DA6015HV24X		24	18~26.5	0.09	2.16	5500	0.640	22.4	6.35	0.25	39.0
DA6015VH24X	24	18~26.5	0.1	2.4	6000	0.603	21.1	7.33	0.289	41.0	



TKFAN®

C US CE RoHS

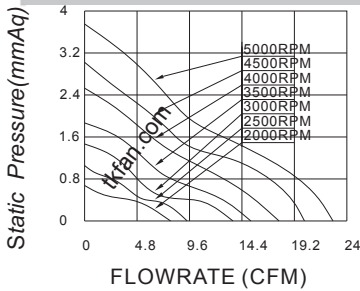
# DC Brushless FAN 60x60x15m-B Type

版次Version 2017-4-12

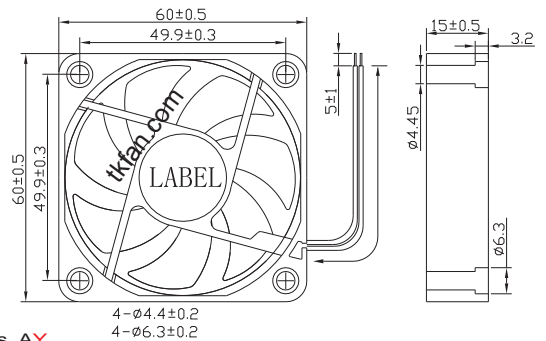
轴承结构：双滚珠、含油、液压、其他  
 Bearing: two ball、sleeve、HY、other  
 框外材质: 塑胶(等级:UL94V-0)  
 Frame:Plastic(Flammability:UL94V-0)  
 扇叶材质:塑胶:(等级:UL94V-0)  
 Impeller:Plastic:(Flammability:UL94V-0)  
 风扇单重:30g(Weight:30g)



## P@Q CURVE(AT RATEDVOLTAGE)



## DIMENSIONS DRAWING(unit:mm)



## 编码规则 Code Rule

例子 Example DCH12038H12B-DCH1701  
 DCH12038H12X-AY

Model No. is DCH12038H12X; Extro P/N code is AY  
 X means bearing type, can be S(sleeve bearing), can be B(ball bearing), can be Y(HY bearing), can be SU(sleeve with UL), can be BU(ball with UL), can be YU(HY with UL)  
 Y means special function code, it will be used for a certain parts no. or client.  
 产品型号 DCH12038H12X;附加代码 AY. X是一个不确定值,它代表了不同的轴承类型,  
 S(含油轴承),B(滚珠轴承),Y(液压轴承),SU(含油轴承带UL),BU(滚珠轴承带UL),YU(液压轴承带UL)  
 Y是一个不确定的值,它代表不同特殊风机功能,由具体客户或者料号来确定

Model	P/N Code	Rated Voltage	Operating Voltage Range	Rated Current	Rated Input Power	Speed	Maximum Air Flow		Maximum Air Pressure		Noise
型号	P/N 附加码	额定电压	工作电压范围	额定电流	额定输入功率	转速	最大风量		最大风压		噪音
PART.NO.	BY	VDC	VDC	Amp	Watt	R.P.M	M³/min	CFM	mmH2O	InH2O	dB-A
DA6015L05X		5	1.8~3~6	0.12	0.6	2000	0.225	7.95	0.67	0.026	19.2
DA6015LM05X		5	1.8~3~6	0.192	0.96	2500	0.265	9.35	1.08	0.043	22.9
DA6015M05X		5	1.8~3~6	0.24	1.2	3000	0.381	13.4	1.46	0.057	24.2
DA6015ML05X		5	1.8~3~6	0.29	1.44	3500	0.439	15.5	1.93	0.076	26.9
DA6015H05X		5	1.8~3~6	0.36	1.8	4000	0.498	17.5	2.49	0.098	30.8
DA6015L12X		12	7~13.5	0.05	0.6	2000	0.225	7.95	0.67	0.026	19.2
DA6015LM12X		12	7~13.5	0.08	0.96	2500	0.265	9.35	1.08	0.043	22.9
DA6015M12X		12	7~13.5	0.10	1.2	3000	0.381	13.4	1.46	0.057	24.2
DA6015ML12X		12	7~13.5	0.12	1.44	3500	0.439	15.5	1.93	0.076	26.9
DA6015H12X		12	7~13.5	0.15	1.8	4000	0.498	17.5	2.49	0.098	30.8
DA6015HL12X		12	7~13.5	0.2	2.4	4500	0.570	20.1	3.07	0.121	34.4
DA6015HH12X		12	7~13.5	0.25	3	5000	0.636	22.4	3.72	0.146	35.2
DA6015L24X		24	18~26.5	0.025	0.6	2000	0.225	7.95	0.67	0.026	19.2
DA6015LM24X		24	18~26.5	0.04	0.96	2500	0.265	9.35	1.08	0.043	22.9
DA6015M24X		24	18~26.5	0.05	1.2	3000	0.381	13.4	1.46	0.057	24.2
DA6015ML24X		24	18~26.5	0.06	1.44	3500	0.439	15.5	1.93	0.076	26.9
DA6015H24X		24	18~26.5	0.075	1.8	4000	0.498	17.5	2.49	0.098	30.8
DA6015HL24X		24	18~26.5	0.1	2.4	4500	0.570	20.1	3.07	0.121	34.4
DA6015HH24X		24	18~26.5	0.125	3	5000	0.636	22.4	3.72	0.146	35.2



TKFAN®

UL US CE RoHS

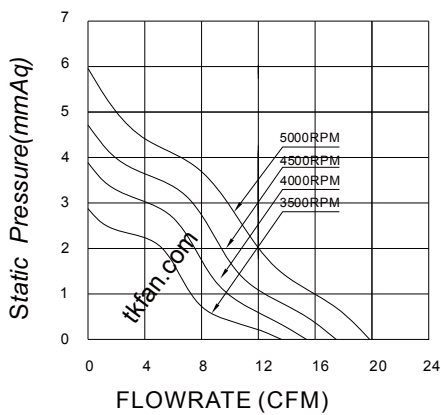
# DC Brushless FAN 60x60x20m-A Type

版次Version 2017-4-12

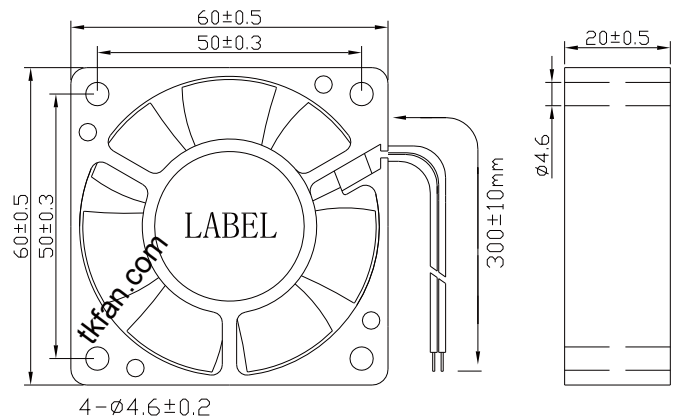
轴承结构：双滚珠、含油、液压、其他  
 Bearing: two ball、sleeve、HY、other  
 框外材质: 塑胶(等级:UL94V-0)  
 Frame:Plastic(Flammability:UL94V-0)  
 扇叶材质:塑胶:(等级:UL94V-0)  
 Impeller:Plastic:(Flammability:UL94V-0)  
 风扇单重:47g(Weight:47g)



## P@Q CURVE(AT RATEDVOLTAGE)



## DIMENSIONS DRAWING(unit:mm)



## 编码规则 Code Rule

例子 Example DCH12038H12B-DCH1701  
 DCH12038H12X-AY

Model No. is DCH12038H12X; Extro P/N code is AY

X means bearing type, can be S(sleeve bearing), can be B(ball bearing), can be Y(HY bearing), can be SU(sleeve with UL), can be BU(ball with UL), can be YU(HY with UL)

Y means special function code, it will be used for a certain parts no. or client.

产品型号 DCH12038H12X;附加代码 AY: X是一个不确定值,它代表了不同的轴承类型,

S(含油轴承),B(滚珠轴承),Y(液压轴承),SU(含油轴承带UL),BU(滚珠轴承带UL),YU(液压轴承带UL)

Y是一个不确定的值,它代表不同特殊风机功能,由具体客户或者料号来确定

UNIT: mm  
(INCH)

Model	P/N Code	Rated Voltage	Operating Voltage Range	Rated Current	Rated Input Power	Speed	Maximum Air Flow		Maximum Air Pressure		Noise
型号	P/N 附加码	额定电压	工作电压范围	额定电流	额定输入功率	转速	最大风量		最大风压		噪音
PART.NO.	AY	VDC	VDC	Amp	Watt	R.P.M	M³/min	CFM	mmH2O	InH2O	dB-A
DA6020L12X		12	7~13.5	0.06	0.72	3500	0.392	13.8	2.87	0.113	27.2
DA6020LM12X		12	7~13.5	0.08	0.96	4000	0.437	15.4	3.9	0.154	30.1
DA6020M12X		12	7~13.5	0.1	1.2	4500	0.499	17.6	4.86	0.191	33.5
DA6020H12X		12	7~13.5	0.12	1.44	5000	0.557	19.6	5.94	0.234	36.5
DA6020L24X		24	18~26.5	0.03	0.72	3500	0.392	13.8	2.87	0.113	27.2
DA6020LM24X		24	18~26.5	0.04	0.96	4000	0.437	15.4	3.9	0.154	30.1
DA6020M24X		24	18~26.5	0.05	1.2	4500	0.499	17.6	4.86	0.191	33.5
DA6020H24X		24	18~26.5	0.06	1.44	5000	0.557	19.6	5.94	0.234	36.5



TKFAN®

UL US CE RoHS

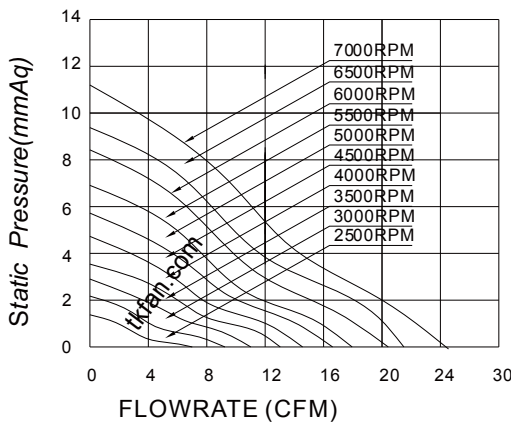
# DC Brushless FAN 60x60x20m-B Type

版次Version 2017-6-3

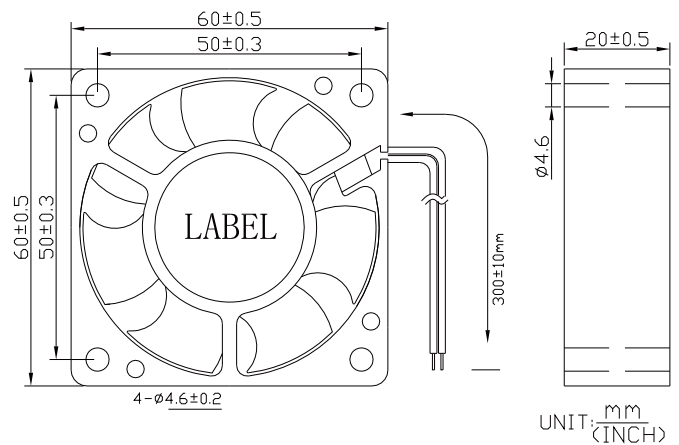
轴承结构：双滚珠、含油、液压、其他  
 Bearing: two ball、sleeve、HY、other  
 框外材质: 塑胶(等级:UL94V-0)  
 Frame:Plastic(Flammability:UL94V-0)  
 扇叶材质:塑胶:(等级:UL94V-0)  
 Impeller:Plastic:(Flammability:UL94V-0)  
 风扇单重:47g(Weight:47g)



## P@Q CURVE(AT RATEDVOLTAGE)



## DIMENSIONS DRAWING(unit:mm)



## 编码规则 Code Rule

例子 Example DCH12038H12B-DCH1701  
 DCH12038H12X-AY

Model No. is DCH12038H12X; Extro P/N code is AY  
 X means bearing type, can be S(sleeve bearing), can be B(ball bearing), can be Y(HY bearing), can be SU(sleeve with UL), can be BU(ball with UL), can be YU(HY with UL)  
 Y means special function code, it will be used for a certain parts no. or client.  
 产品型号 DCH12038H12X; 附加代码 AY. X是一个不确定值, 它代表了不同的轴承类型, S(含油轴承), B(滚珠轴承), Y(液压轴承), SU(含油轴承带UL), BU(滚珠轴承带UL), YU(液压轴承带UL)  
 Y是一个不确定的值, 它代表不同特殊风机功能, 由具体客户或者料号来确定

Model	P/N Code	Rated Voltage	Operating Voltage Range	Rated Current	Rated Input Power	Speed	Maximum Air Flow		Maximum Air Pressure		Noise
型号	P/N 附加码	额定电压	工作电压范围	额定电流	额定输入功率	转速	最大风量		最大风压		噪音
PART.NO.	BY	VDC	VDC	Amp	Watt	R.P.M	M³/min	CFM	mmH2O	InH2O	dB-A
DA6020L12X		12	7~13.5	0.06	0.72	3500	0.33	11.7	2.86	0.113	29.9
DA6020LM12X		12	7~13.5	0.08	0.96	4000	0.382	13.4	3.7	0.146	33.1
DA6020M12X		12	7~13.5	0.1	1.2	4500	0.429	15.1	4.71	0.185	36.5
DA6020H12X		12	7~13.5	0.12	1.44	5000	0.482	17	5.78	0.228	38.5
DA6020L24X		24	18~26.5	0.03	0.72	3500	0.33	11.7	2.86	0.113	29.9
DA6020LM24X		24	18~26.5	0.04	0.96	4000	0.382	13.4	3.7	0.146	33.1
DA6020M24X		24	18~26.5	0.05	1.2	4500	0.429	15.1	4.71	0.185	36.5
DA6020H24X		24	18~26.5	0.06	1.44	5000	0.482	17	5.78	0.228	38.5



TKFAN®

UL US CE RoHS

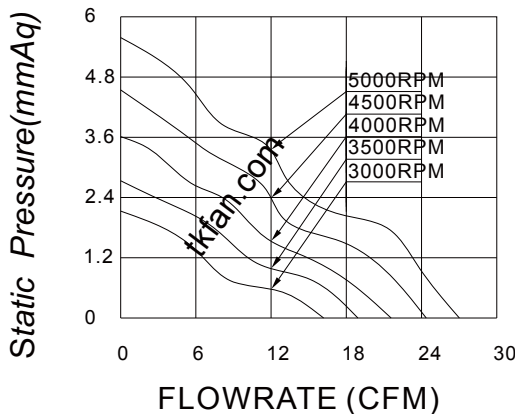
# DC Brushless FAN 60x60x25m-A Type

版次Version 2017-4-12

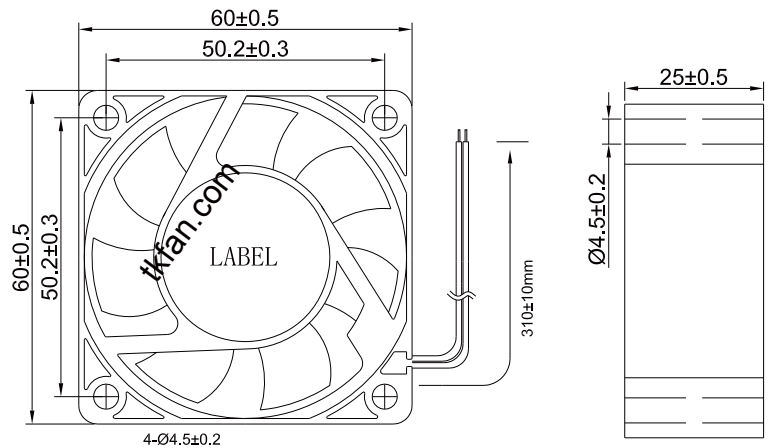
轴承结构：双滚珠、含油、液压、其他  
 Bearing: two ball、sleeve、HY、other  
 框外材质: 塑胶(等级:UL94V-0)  
 Frame:Plastic(Flammability:UL94V-0)  
 扇叶材质:塑胶:(等级:UL94V-0)  
 Impeller:Plastic:(Flammability:UL94V-0)  
 风扇单重:60g(Weight:60g)



## P@Q CURVE(AT RATEDVOLTAGE)



## DIMENSIONS DRAWING(unit:mm)



## 编码规则 Code Rule

例子 Example DCH12038H12B-DCH1701  
 DCH12038H12X-AY

Model No. is DCH12038H12X; Extro P/N code is AY

X means bearing type, can be S(sleeve bearing), can be B(ball bearing), can be Y(HY bearing), can be SU(sleeve with UL), can be BU(ball with UL), can be YU(HY with UL)

Y means special function code, it will be used for a certain parts no. or client.

产品型号 DCH12038H12X;附加代码 AY. X是一个不确定值,它代表了不同的轴承类型,

S(含油轴承),B(滚珠轴承),Y(液压轴承),SU(含油轴承带UL),BU(滚珠轴承带UL),YU(液压轴承带UL)

Y是一个不确定的值,它代表不同特殊风机功能,由具体客户或者料号来确定

Model	P/N Code	Rated Voltage	Operating Voltage Range	Rated Current	Rated Input Power	Speed	Maximum Air Flow		Maximum Air Pressure		Noise
型号	P/N 附加码	额定电压	工作电压范围	额定电流	额定输入功率	转速	最大风量	最大风压	最大风压	最大风压	噪音
PART.NO.	AY	VDC	VDC	Amp	Watt	R.P.M	M³/min	CFM	mmH2O	InH2O	dB-A
DA6025L12X		12	7~13.5	0.1	1.2	3000	0.446	15.7	2.13	0.084	27.2
DA6025LM12X		12	7~13.5	0.14	1.68	3500	0.535	18.9	2.76	0.109	30.7
DA6025M12X		12	7~13.5	0.17	2.04	4000	0.611	21.5	3.64	0.143	34.3
DA6025H12X		12	7~13.5	0.2	2.4	4500	0.690	24.3	4.63	0.182	37.7
DA6025LH12X		12	7~13.5	0.23	2.76	5000	0.764	26.9	5.56	0.219	40.2
DA6025L24X		24	18~26.5	0.05	1.2	3000	0.446	15.7	2.13	0.084	27.2
DA6025LM24X		24	18~26.5	0.07	1.68	3500	0.535	18.9	2.76	0.109	30.7
DA6025M24X		24	18~26.5	0.085	2.04	4000	0.611	21.5	3.64	0.143	34.3
DA6025H24X		24	18~26.5	0.1	2.4	4500	0.690	24.3	4.63	0.182	37.7
DA6025LH24X		24	18~26.5	0.115	2.76	5000	0.764	26.9	5.56	0.219	40.2
DA6025L48X		48	36~54	0.025	1.2	3000	0.446	15.7	2.13	0.084	27.2
DA6025LM48X		48	36~54	0.035	1.68	3500	0.535	18.9	2.76	0.109	30.7
DA6025M48X		48	36~54	0.04	2.04	4000	0.611	21.5	3.64	0.143	34.3
DA6025H48X		48	36~54	0.05	2.4	4500	0.690	24.3	4.63	0.182	37.7
DA6025LH48X		48	36~54	0.06	2.76	5000	0.764	26.9	5.56	0.219	40.2



TKFAN®

UL US CE RoHS

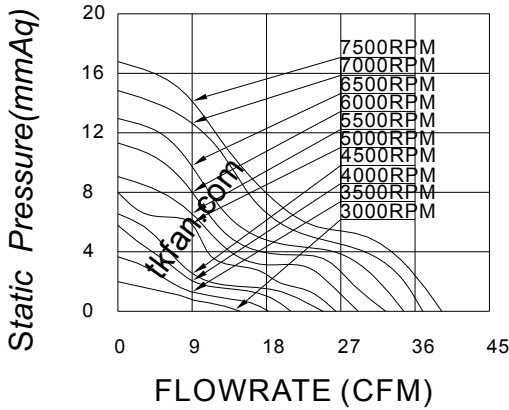
# DC Brushless FAN 60x60x25m-B Type

版次Version 2017-4-12

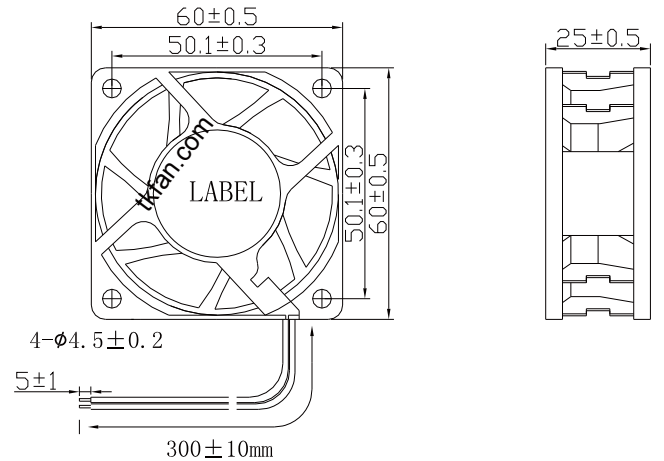
轴承结构：双滚珠、含油、液压、其他  
 Bearing: two ball、sleeve、HY、other  
 框外材质: 塑胶(等级:UL94V-0)  
 Frame:Plastic(Flammability:UL94V-0)  
 扇叶材质:塑胶:(等级:UL94V-0)  
 Impeller:Plastic:(Flammability:UL94V-0)  
 风扇单重:65g(Weight:65g)



## P@Q CURVE(AT RATEDVOLTAGE)



## DIMENSIONS DRAWING(unit:mm)



## 编码规则 Code Rule

例子 Example DCH12038H12B-DCH1701  
 DCH12038H12X-AY

Model No. is DCH12038H12X; Extro P/N code is AY  
 X means bearing type, can be S(sleeve bearing), can be B(ball bearing), can be Y(HY bearing), can be SU(sleeve with UL), can be BU(ball with UL), can be YU(HY with UL)  
 Y means special function code, it will be used for a certain parts no. or client.  
 产品型号 DCH12038H12X;附加代码 AY. X是一个不确定值,它代表了不同的轴承类型,  
 S(含油轴承),B(滚珠轴承),Y(液压轴承),SU(含油轴承带UL),BU(滚珠轴承带UL),YU(液压轴承带UL)  
 Y是一个不确定的值,它代表不同特殊风机功能,由具体客户或者料号来确定

Model	P/N Code	Rated Voltage	Operating Voltage Range	Rated Current	Rated Input Power	Speed	Maximum Air Flow		Maximum Air Pressure		Noise
型号	P/N 附加码	额定电压	工作电压范围	额定电流	额定输入功率	转速	最大风量		最大风压		噪音
PART.NO.	BY	VDC	VDC	Amp	Watt	R.P.M	M³/min	CFM	mmH2O	InH2O	dB-A
DA6025L05X		5	1.8~3.36	0.24	1.2	3000	0.443	15.6	2.92	0.115	26.0
DA6025M05X		5	1.8~3.36	0.36	1.8	3500	0.523	18.4	3.87	0.152	28.7
DA6025H05X		5	1.8~3.36	0.48	2.4	4000	0.602	21.2	5.15	0.203	31.8
DA6025HH05X		5	1.8~3.36	0.6	3.0	4500	0.685	24.1	6.46	0.254	35.5
DA6025MV05X		5	1.8~3.36	0.72	3.6	5000	0.758	26.7	7.94	0.313	38.0
DA6025L12X		12	7~13.5	0.1	1.2	3000	0.443	15.6	2.92	0.115	26.0
DA6025M12X		12	7~13.5	0.15	1.8	3500	0.523	18.4	3.87	0.152	28.7
DA6025H12X		12	7~13.5	0.2	2.4	4000	0.602	21.2	5.15	0.203	31.8
DA6025HH12X		12	7~13.5	0.25	3.0	4500	0.685	24.1	6.46	0.254	35.5
DA6025MV12X		12	7~13.5	0.3	3.6	5000	0.758	26.7	7.94	0.313	38.0
DA6025VM12X		12	7~13.5	0.35	4.2	5500	0.827	29.2	9.23	0.364	39.9
DA6025HV12X		12	7~13.5	0.38	4.56	6000	0.902	31.8	11.15	0.439	42.2
DA6025VH12X		12	7~13.5	0.40	4.8	6500	0.982	34.6	13.09	0.515	44.8

DA6025HHV12X	BY	12	7~13.5	0.45	5.4	7000	1.048	37.0	14.82	0.583	46.0
DA6025VHH12X		12	7~13.5	0.5	6.0	7500	1.119	39.5	16.83	0.663	49.5
DA6025L24X		24	18~26.5	0.05	1.2	3000	0.443	15.6	2.92	0.115	26.0
DA6025M24X		24	18~26.5	0.075	1.8	3500	0.523	18.4	3.87	0.152	28.7
DA6025H24X		24	18~26.5	0.1	2.4	4000	0.602	21.2	5.15	0.203	31.8
DA6025HH24X		24	18~26.5	0.125	3.0	4500	0.685	24.1	6.46	0.254	35.5
DA6025MV24X		24	18~26.5	0.15	3.6	5000	0.758	26.7	7.94	0.313	38.0
DA6025VM24X		24	18~26.5	0.175	4.2	5500	0.827	29.2	9.23	0.364	39.9
DA6025HV24X		24	18~26.5	0.19	4.56	6000	0.902	31.8	11.15	0.439	42.2
DA6025VH24X		24	18~26.5	0.2	4.8	6500	0.982	34.6	13.09	0.515	44.8
DA6025HHV24X		24	18~26.5	0.225	5.4	7000	1.048	37.0	14.82	0.583	46.0
DA6025VHH24X		24	18~26.5	0.25	6.0	7500	1.119	39.5	16.83	0.663	49.5
DA6025H48X		48	36~54	0.05	2.4	4000	0.602	21.2	5.15	0.203	31.8
DA6025HH48X		48	36~54	0.063	3.0	4500	0.685	24.1	6.46	0.254	35.5
DA6025MV48X		48	36~54	0.075	3.6	5000	0.758	26.7	7.94	0.313	38.0
DA6025VM48X		48	36~54	0.088	4.2	5500	0.827	29.2	9.23	0.364	39.9
DA6025HV48X		48	36~54	0.095	4.56	6000	0.902	31.8	11.15	0.439	42.2
DA6025VH48X		48	36~54	0.1	4.8	6500	0.982	34.6	13.09	0.515	44.8
DA6025HHV48X		48	36~54	0.113	5.4	7000	1.048	37.0	14.82	0.583	46.0
DA6025VHH48X		48	36~54	0.125	6.0	7500	1.119	39.5	16.83	0.663	49.5



TKFAN®

UL US CE RoHS

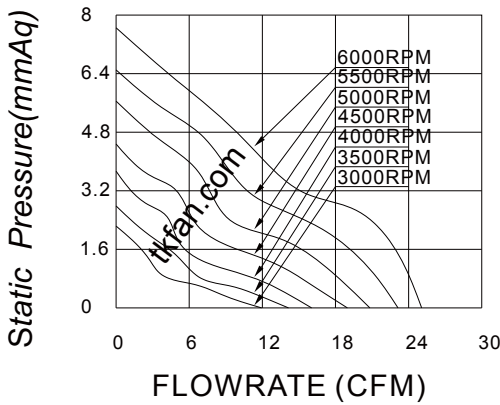
# DC Brushless FAN 60x60x25m-C Type

版次Version 2017-4-12

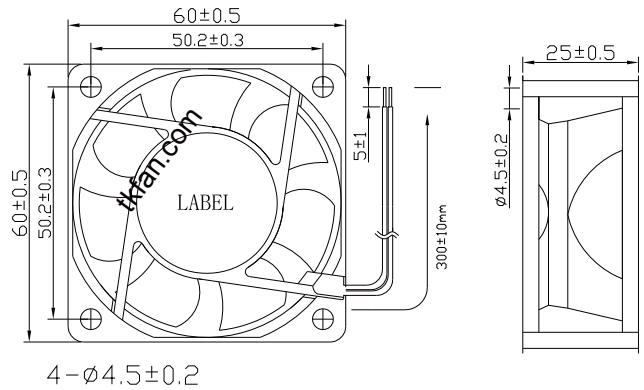
轴承结构：双滚珠、含油、液压、其他  
 Bearing: two ball、sleeve、HY、other  
 框外材质: 塑胶(等级:UL94V-0)  
 Frame:Plastic(Flammability:UL94V-0)  
 扇叶材质:塑胶:(等级:UL94V-0)  
 Impeller:Plastic:(Flammability:UL94V-0)  
 风扇单重:60g(Weight:60g)



## P@Q CURVE(AT RATEDVOLTAGE)



## DIMENSIONS DRAWING(unit:mm)



## 编码规则 Code Rule

例子 Example DCH12038H12B-DCH1701  
 DCH12038H12X-AY

Model No. is DCH12038H12X; Extro P/N code is AY

X means bearing type, can be S(sleeve bearing), can be B(ball bearing), can be Y(HY bearing), can be SU(sleeve with UL), can be BU(ball with UL), can be YU(HY with UL)

Y means special function code, it will be used for a certain parts no. or client.

产品型号 DCH12038H12X;附加代码 AY. X是一个不确定值,它代表了不同的轴承类型,

S(含油轴承),B(滚珠轴承),Y(液压轴承),SU(含油轴承带UL),BU(滚珠轴承带UL),YU(液压轴承带UL)

Y是一个不确定的值,它代表不同特殊风机功能,由具体客户或者料号来确定

Model	P/N Code	Rated Voltage	Operating Voltage Range	Rated Current	Rated Input Power	Speed	Maximum Air Flow		Maximum Air Pressure		Noise
型号	P/N 附加码	额定电压	工作电压范围	额定电流	额定输入功率	转速	最大风量		最大风压		噪音
PART.NO.	CY	VDC	VDC	Amp	Watt	R.P.M	M³/min	CFM	mmH2O	InH2O	dB-A
DA6025L12X		12	7~13.5	0.1	1.2	3000	0.349	12.3	2.12	0.083	24.2
DA6025M12X		12	7~13.5	0.15	1.8	3500	0.401	14.1	2.84	0.112	27.4
DA6025H12X		12	7~13.5	0.2	2.4	4000	0.464	16.3	3.69	0.145	29.8
DA6025HH12X		12	7~13.5	0.25	3.0	4500	0.529	18.6	4.61	0.181	34.3
DA6025MV12X		12	7~13.5	0.3	3.6	5000	0.592	20.9	5.69	0.224	35.8
DA6025VM12X		12	7~13.5	0.35	4.2	5500	0.64	22.5	6.68	0.263	38
DA6025HV12X		12	7~13.5	0.38	4.56	6000	0.707	24.9	7.85	0.309	42.6
DA6025L24X		24	18~26.5	0.05	1.2	3000	0.349	12.3	2.12	0.083	24.2
DA6025M24X		24	18~26.5	0.075	1.8	3500	0.401	14.1	2.84	0.112	27.4
DA6025H24X		24	18~26.5	0.1	2.4	4000	0.464	16.3	3.69	0.145	29.8
DA6025HH24X		24	18~26.5	0.125	3.0	4500	0.529	18.6	4.61	0.181	34.3
DA6025MV24X		24	18~26.5	0.15	3.6	5000	0.592	20.9	5.69	0.224	35.8
DA6025VM24X		24	18~26.5	0.175	4.2	5500	0.64	22.5	6.68	0.263	38
DA6025HV24X		24	18~26.5	0.19	4.56	6000	0.707	24.9	7.85	0.309	42.6



TKFAN®

C US RoHS

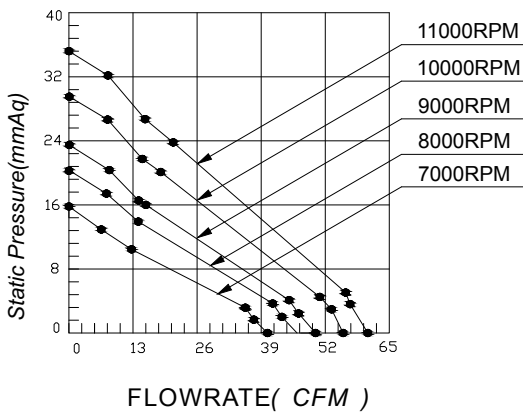
# DC Brushless FAN 60x 60x32mm-A Type

版次Version 2022-11-14

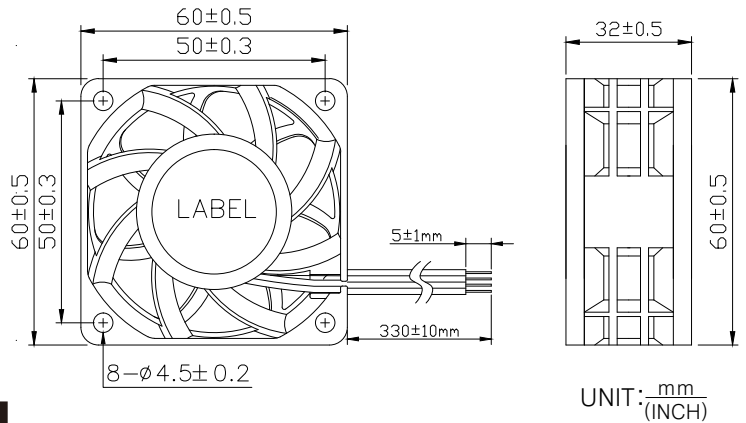
轴承结构：双滚珠  
 Bearing: Two ball  
 框外材质: 塑胶(等级:UL 94V-0)  
 Frame: Plastic: (Flammability: UL94V-0)  
 扇叶材质:塑胶:(等级:UL94V-0)  
 Impeller:Plastic:(Flammability:UL94V-0)  
 风扇单重: 96.5g(Weight: 96.5g)



## P@Q CURVE(AT RATED VOLTAGE)



## DIMENSIONS DRAWING(unit:mm)



## 编码规则 Code Rule

例子 Example DCH12038H12B-DAH1701  
 DCH12038H12X-AY

Model No. is DCH12038H12X; Extro P/N code is AY  
 X means bearing type, can be S(sleeve bearing), can be B(ball bearing), can be Y(HY bearing), can be SU(sleeve with UL), can be BU(ball with UL), can be YU(HY with UL)  
 Y means special function code, it will be used for a certain parts no. or client.  
 产品型号 DCH12038H12X;附加代码 AY. X是一个不确定值,它代表了不同的轴承类型,  
 S(含油轴承),B(滚珠轴承),Y(液压轴承),SU(含油轴承带UL),BU(滚珠轴承带UL),YU(液压轴承带UL)  
 Y是一个不确定的值,它代表不同特殊风机功能,由具体客户或者料号来确定

Model	P/N Code	Rated Voltage	Operating Voltage Range	Rated Current	Rated Input Power	Speed	Maximum Air Flow		Maximum Air Pressure		Noise
型号	P/N 附加码	额定电压	工作电压范围	额定电流	额定输入功率	转速	最大风量	最大风量	最大风压	最大风压	噪音
PART.NO.	AY	VDC	VDC	Amp	Watt	R.P.M	M³/min	CFM	mmH2O	InH2O	dB-A
DA6032L12X		12	7~13.5	0.51	6.16	7000	1.138	40.2	15.7	2.107	53.5
DA6032M12X		12	7~13.5	0.68	8.1	8000	1.299	45.9	20.1	2.131	54.1
DA6032H12X		12	7~13.5	0.94	11.28	9000	1.401	49.5	23.4	2.202	55.9
DA6032LH12X		12	7~13.5	1.26	15.12	10000	1.563	55.2	29.3	2.466	62.6
DA6032HH12X		12	7~13.5	1.6	19.2	11000	1.707	60.3	35.0	2.679	68.0
DA6032L24X		24	18~26.5	0.26	6.16	7000	1.138	40.2	15.7	2.107	53.5
DA6032M24X		24	18~26.5	0.34	8.1	8000	1.299	45.9	20.1	2.131	54.1
DA6032H24X		24	18~26.5	0.47	11.28	9000	1.401	49.5	23.4	2.202	55.9
DA6032LH24X		24	18~26.5	0.63	15.12	10000	1.563	55.2	29.3	2.466	62.6
DA6032HH24X		24	18~26.5	0.8	19.2	11000	1.707	60.3	35.0	2.679	68.0
DA6032L48X		48	36~54	0.13	6.16	7000	1.138	40.2	15.7	2.107	53.5
DA6032M48X		48	36~54	0.17	8.1	8000	1.299	45.9	20.1	2.131	54.1
DA6032H48X		48	36~54	0.24	11.28	9000	1.401	49.5	23.4	2.202	55.9
DA6032LH48X		48	36~54	0.32	15.12	10000	1.563	55.2	29.3	2.466	62.6
DA6032HH48X		48	36~54	0.4	19.2	11000	1.707	60.3	35.0	2.679	68.0



TKFAN®

UL US CE RoHS

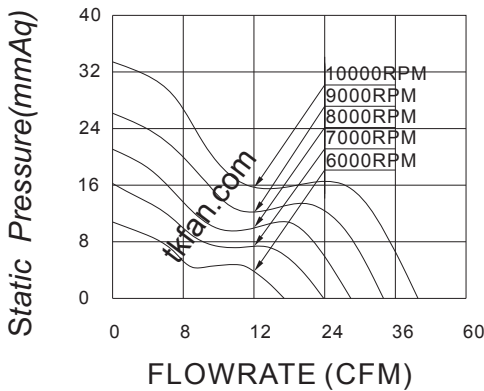
# DC Brushless FAN 60x60x38mm-A Type

版次Version 2017-4-12

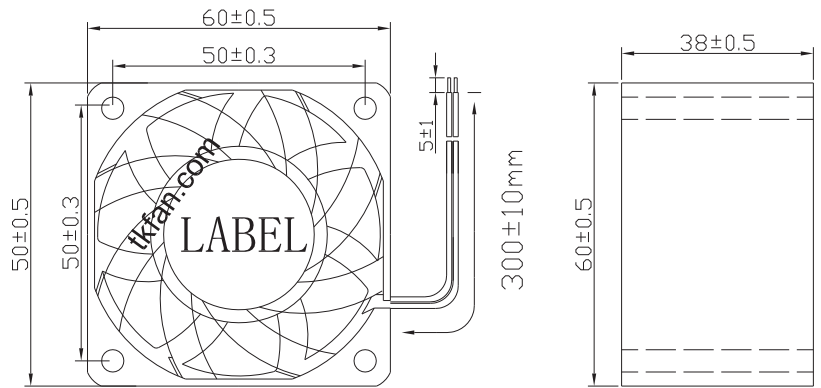
轴承结构：双滚珠  
 Bearing: two ball  
 框外材质: 塑胶(等级:UL94V-0)  
 Frame:Plastic(Flammability:UL94V-0)  
 扇叶材质:塑胶:(等级:UL94V-0)  
 Impeller:Plastic:(Flammability:UL94V-0)  
 风扇单重:110g(Weight:110g)



## P@Q CURVE(AT RATEDVOLTAGE)



## DIMENSIONS DRAWING(unit:mm)



## 编码规则 Code Rule

例子 Example DCH12038H12B-A1701  
 DCH12038H12X-AY

Model No. is DCH12038H12X; Extro P/N code is AY

X means bearing type, can be S(sleeve bearing), can be B(ball bearing), can be Y(HY bearing), can be SU(sleeve with UL), can be BU(ball with UL), can be YU(HY with UL)

Y means special function code, it will be used for a certain parts no. or client.

产品型号 DCH12038H12X;附加代码 AY. X是一个不确定值,它代表了不同的轴承类型,

S(含油轴承),B(滚珠轴承),Y(液压轴承),SU(含油轴承带UL),BU(滚珠轴承带UL),YU(液压轴承带UL)

Y是一个不确定的值,它代表不同特殊风机功能,由具体客户或者料号来确定

Model	P/N Code	Rated Voltage	Operating Voltage Range	Rated Current	Rated Input Power	Speed	Maximum Air Flow		Maximum Air Pressure		Noise
型号	P/N 附加码	额定电压	工作电压范围	额定电流	额定输入功率	转速	最大风量		最大风压		噪音
PART.NO.	AY	VDC	VDC	Amp	Watt	R.P.M	M³/min	CFM	mmH2O	InH2O	dB-A
DA6038L12X		12	7~13.5	0.26	3.12	6000	0.843	29.7	11.48	0.452	48.9
DA6038M12X		12	7~13.5	0.42	5.04	7000	1.103	35.7	16.19	0.637	52.3
DA6038H12X		12	7~13.5	0.6	7.2	8000	1.172	41.4	21.07	0.830	56.1
DA6038LH12X		12	7~13.5	0.72	8.64	9000	1.299	45.8	26.24	1.033	60.3
DA6038HH12X		12	7~13.5	0.9	10.8	10000	1.463	51.6	32.75	1.289	62.2
DA6038L24X		24	18~26.5	0.13	3.12	6000	0.843	29.7	11.48	0.452	48.9
DA6038M24X		24	18~26.5	0.21	5.04	7000	1.103	35.7	16.19	0.637	52.3
DA6038H24X		24	18~26.5	0.3	7.2	8000	1.172	41.4	21.07	0.830	56.1
DA6038LH24X		24	18~26.5	0.36	8.64	9000	1.299	45.8	26.24	1.033	60.3
DA6038HH24X		24	18~26.5	0.45	10.8	10000	1.463	51.6	32.75	1.289	62.2
DA6038L48X		48	36~54	0.07	3.12	6000	0.843	29.7	11.48	0.452	48.9
DA6038M48X		48	36~54	0.1	5.04	7000	1.103	35.7	16.19	0.637	52.3
DA6038H48X		48	36~54	0.15	7.2	8000	1.172	41.4	21.07	0.830	56.1
DA6038LH48X		48	36~54	0.18	8.64	9000	1.299	45.8	26.24	1.033	60.3
DA6038HH48X		48	36~54	0.225	10.8	10000	1.463	51.6	32.75	1.289	62.2



TKFAN®

SY

C US RoHS

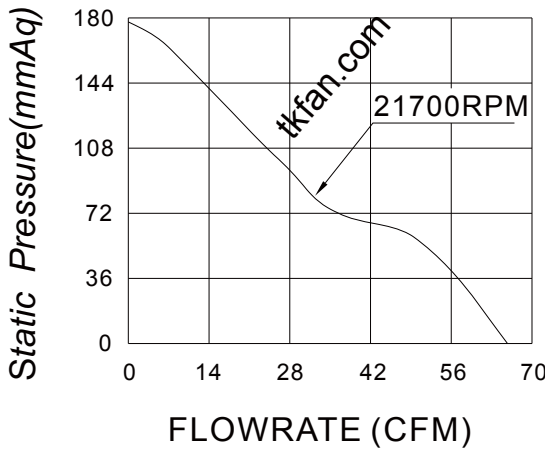
# DC Brushless FAN 60x60x38mm-B Type

版次Version 2018-12-25

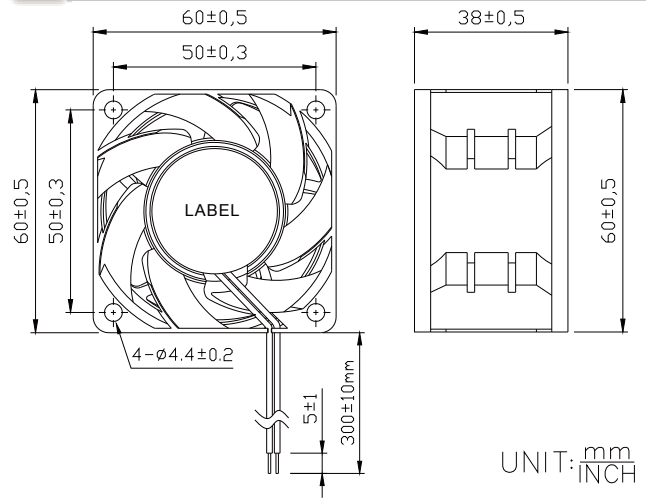
轴承结构：双滚珠  
 Bearing: two ball  
 框外材质: 塑胶(等级:UL94V-0)  
 Frame:Plastic(Flammability:UL94V-0)  
 扇叶材质:塑胶:(等级:UL94V-0)  
 Impeller:Plastic:(Flammability:UL94V-0)  
 风扇单重:130g(Weight:130g)



## P@Q CURVE(AT RATEDVOLTAGE)



## DIMENSIONS DRAWING(unit:mm)



UNIT: mm  
INCH

## 编码规则 Code Rule

例子 Example DCH12038H12B-DCH1701  
 DCH12038H12X-AY

Model No. is DCH12038H12X; Extro P/N code is AY

X means bearing type, can be S(sleeve bearing), can be B(ball bearing), can be Y(HY bearing), can be SU(sleeve with UL), can be BU(ball with UL), can be YU(HY with UL)

Y means special function code, it will be used for a certain parts no. or client.

产品型号 DCH12038H12X;附加代码 AY. X是一个不确定值,它代表了不同的轴承类型,

S(含油轴承),B(滚珠轴承),Y(液压轴承),SU(含油轴承带UL),BU(滚珠轴承带UL),YU(液压轴承带UL)

Y是一个不确定的值,它代表不同特殊风机功能,由具体客户或者料号来确定

Model	P/N Code	Rated Voltage	Operating Voltage Range	Rated Current	Rated Input Power	Speed	Maximum Air Flow		Maximum Air Pressure		Noise
型号	P/N 附加码	额定电压	工作电压范围	额定电流	额定输入功率	转速	最大风量		最大风压		噪音
PART.NO.	BY	VDC	VDC	Amp	Watt	R.P.M	M³/min	CFM	mmH2O	InH2O	dB-A
DA6038VH12X		12	7.5~13.5	2.7	32.4	21700	1.88	66.4	177.8	7.0	68
DA6038VH24X		24	18~26.5	1.35	32.4	21700	1.88	66.4	177.8	7.0	68
DA6038VH48X		48	36~54	0.68	32.4	21700	1.88	66.4	177.8	7.0	68



TKFAN®

UL US CE RoHS

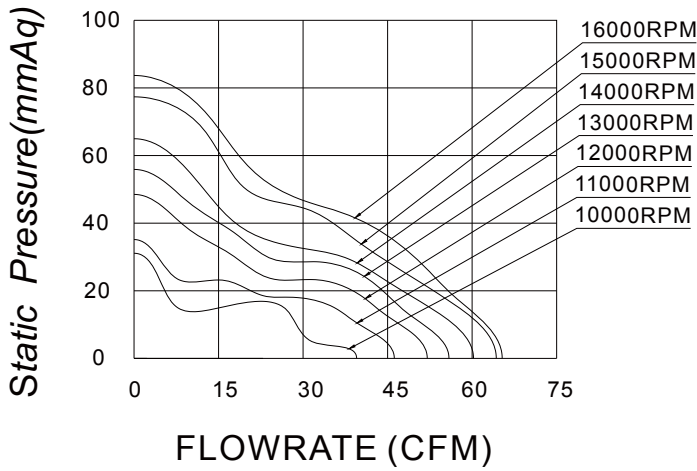
# DC Brushless FAN 60x60x38mm-C Type

版次Version 2020-6-8

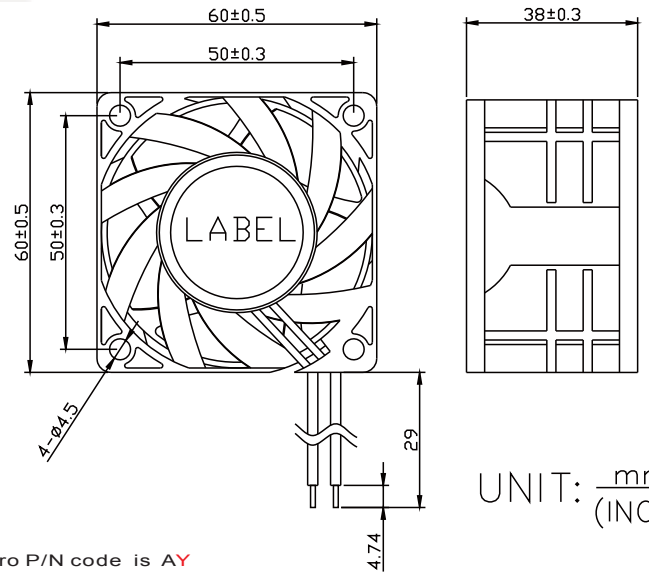
轴承结构：双滚珠  
Bearing: two ball  
框外材质: 塑胶(等级:UL94V-0)  
Frame:Plastic(Flammability:UL94V-0)  
扇叶材质:塑胶:(等级:UL94V-0)  
Impeller:Plastic:(Flammability:UL94V-0)  
风扇单重:86g(Weight:86g)



## P@Q CURVE(AT RATEDVOLTAGE)



## DIMENSIONS DRAWING(unit:mm)



## 编码规则 Code Rule

例子 Example DCH12038H12B-DCH1701  
DCH12038H12X-AY

Model No. is DCH12038H12X; Extro P/N code is AY

X means bearing type, can be S(sleeve bearing), can be B(ball bearing), can be Y(HY bearing), can be SU(sleeve with UL), can be BU(ball with UL), can be YU(HY with UL)

Y means special function code, it will be used for a certain parts no. or client.

产品型号 DCH12038H12X; 附加代码 AY. X是一个不确定值, 它代表了不同的轴承类型,

S(含油轴承), B(滚珠轴承), Y(液压轴承), SU(含油轴承带UL), BU(滚珠轴承带UL), YU(液压轴承带UL)

Y是一个不确定的值, 它代表不同特殊风机功能, 由具体客户或者料号来确定

Model	P/N Code	Rated Voltage	Operating Voltage Range	Rated Current	Rated Input Power	Speed	Maximum Air Flow		Maximum Air Pressure		Noise
型号	P/N 附加码	额定电压	工作电压范围	额定电流	额定输入功率	转速	最大风量		最大风压		噪音
PART.NO.	CY	VDC	VDC	Amp	Watt	R.P.M	M³/min	CFM	mmH2O	InH2O	dB-A
DA6038L12X		12	8.5~13.5	0.6	7.2	10000	1.118	39.5	29.29	1.153	55.9
DA6038M12X		12	8.5~13.5	0.7	8.4	11000	1.307	46.19	31.1	1.224	57.6
DA6038H12X		12	8.5~13.5	0.9	10.8	12000	1.473	52.04	48.51	1.910	61.8
DA6038LH12X		12	8.5~13.5	1.0	12	13000	1.582	55.89	55.9	2.201	63.7
DA6038HH12X		12	8.5~13.5	1.2	14.4	14000	1.705	60.25	64.98	2.558	64.7
DA6038VH12X		12	8.5~13.5	1.3	15.6	15000	1.819	64.29	77.37	3.046	68.8
DA6038HV12X		12	8.5~13.5	1.4	16.8	16000	1.849	65.34	83.69	3.295	70.8
DA6038L24X		24	18~26.5	0.3	7.2	10000	1.118	39.5	29.29	1.153	55.9
DA6038M24X		24	18~26.5	0.35	8.4	11000	1.307	46.19	31.1	1.224	57.6
DA6038H24X		24	18~26.5	0.45	10.8	12000	1.473	52.04	48.51	1.910	61.8
DA6038LH24X		24	18~26.5	0.5	12	13000	1.582	55.89	55.9	2.201	63.7
DA6038HH24X		24	18~26.5	0.6	14.4	14000	1.705	60.25	64.98	2.558	64.7
DA6038VH24X		24	18~26.5	0.65	15.6	15000	1.819	64.29	77.37	3.046	68.8
DA6038HV24X		24	18~26.5	0.7	16.8	16000	1.849	65.34	83.69	3.295	70.8

Model	P/N Code	Rated Voltage	Operating Voltage Range	Rated Current	Rated Input Power	Speed	Maximum Air Flow		Maximum Air Pressure		Noise
型号	P/N 附加码	额定电压	工作电压范围	额定电流	额定输入功率	转速	最大风量		最大风压		噪音
PART.NO.	CY	VDC	VDC	Amp	Watt	R.P.M	M³/min	CFM	mmH2O	InH2O	dB-A
DA6038L48X		48	36~54	0.15	7.2	10000	1.118	39.5	29.29	1.153	55.9
DA6038M48X		48	36~54	0.175	8.4	11000	1.307	46.19	31.1	1.224	57.6
DA6038H48X		48	36~54	0.225	10.8	12000	1.473	52.04	48.51	1.910	61.8
DA6038LH48X		48	36~54	0.25	12	13000	1.582	55.89	55.9	2.201	63.7
DA6038HH48X		48	36~54	0.3	14.4	14000	1.705	60.25	64.98	2.558	64.7
DA6038VH48X		48	36~54	0.325	15.6	15000	1.819	64.29	77.37	3.046	68.8
DA6038HV48X		48	36~54	0.35	16.8	16000	1.849	65.34	83.69	3.295	70.8



TKFAN®

DT  
C RoHS

# DC Brushless FAN 60x60x38mm-D Type

版次 Version 2024-8-29



轴承结构: 双滚珠

Bearing: Two ball

框外材质: 塑胶:(等级:UL94V-0)

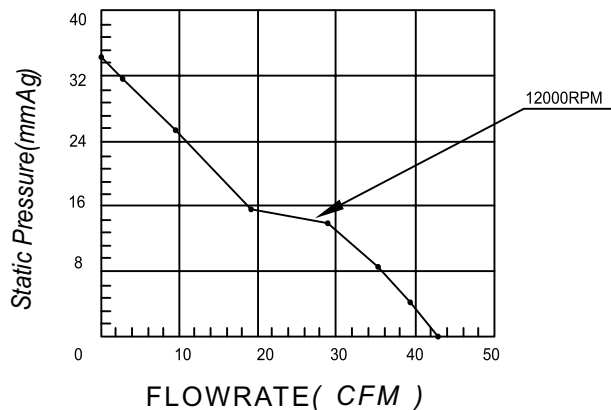
Frame:Plastic:(Flammability:UL94V-0)

扇叶材质:塑胶:(等级:UL94V-0)

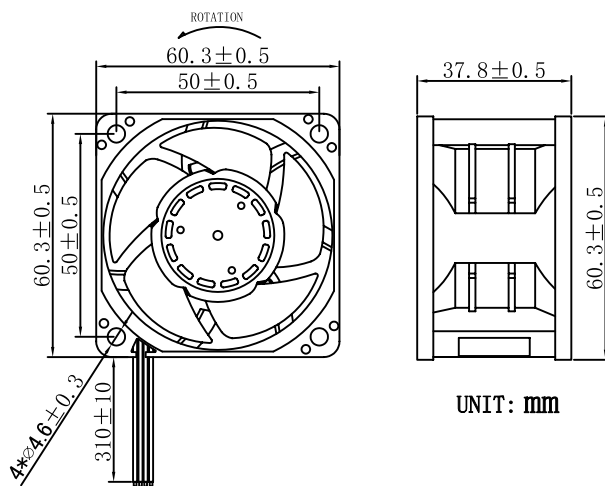
Impeller:Plastic:(Flammability:UL94V-0)

风扇单重:121g(Weight:121g)

## P@Q CURVE(AT RATED VOLTAGE)



## DIMENSIONS DRAWING(unit:mm)



## 编码规则 Code Rule

例子 Example DCH12038H12B-DAH1701  
DCH12038H12X-AY

Model No. is DCH12038H12X; Extro P/N code is AY

X means bearing type, can be S(sleeve bearing), can be B(ball bearing), can be Y(HY bearing), can be SU(sleeve with UL), can be BU(ball with UL), can be YU(HY with UL)

Y means special function code, it will be used for a certain parts no. or client.

产品型号 DCH12038H12X;附加代码 AY. X是一个不确定值,它代表了不同的轴承类型,

S(含油轴承),B(滚珠轴承),Y(液压轴承),SU(含油轴承带UL),BU(滚珠轴承带UL),YU(液压轴承带UL)

Y是一个不确定的值,它代表不同特殊风机功能,由具体客户或者料号来确定

Model	P/N Code	Rated Voltage	Operationg Voltage Range	Rated Current	Rated Input Power	Speed	Maximum Air Flow		Maximum Air Pressure		Noise
型号	P/N 附加码	额定电压	工作电压范围	额定电流	额定输入功率	转速	最大风量		最大风压		噪音
PART.NO.	DY	VDC	VDC	Amp	Watt	R.P.M	M³/min	CFM	mmH2O	InH2O	dB-A
DA6038M12X		12	7.5~13.5	0.55	6.6	12000	1.20	42.7	34.4	1.35	53.9
DA6038M24X		24	18~26.5	0.275	6.6	12000	1.20	42.7	34.4	1.35	53.9
DA6038M48X		48	36~54	0.138	6.6	12000	1.20	42.7	34.4	1.35	53.9



TKFAN®

UL US CE RoHS

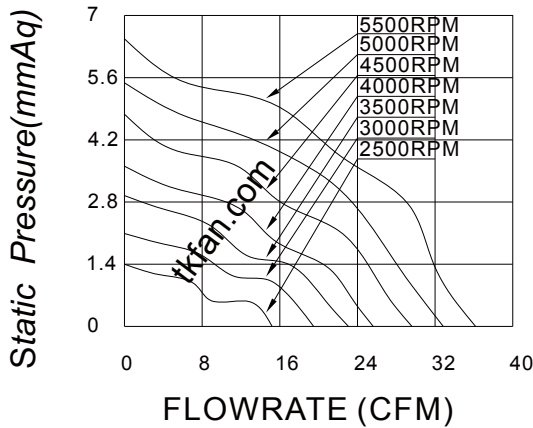
# DC Brushless FAN 70x70x15mm-A Type

版次Version 2017-4-12

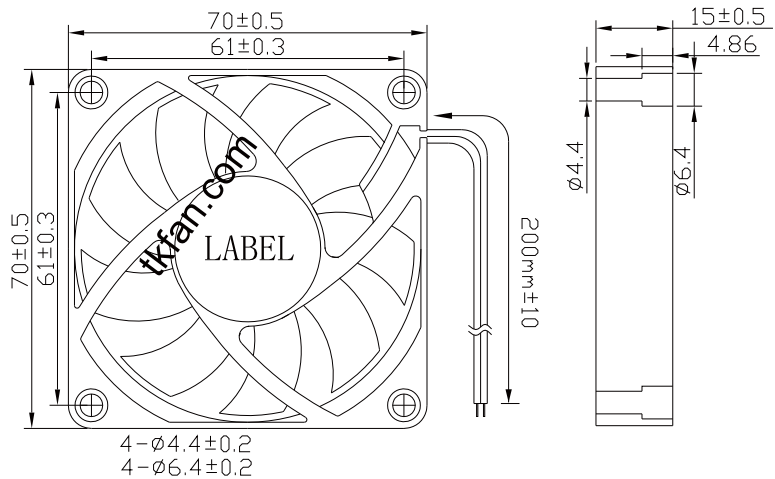
轴承结构：双滚珠、含油、液压、其他  
 Bearing: two ball、sleeve、HY、other  
 框外材质: 塑胶(等级:UL94V-0)  
 Frame:Plastic(Flammability:UL94V-0)  
 扇叶材质:塑胶:(等级:UL94V-0)  
 Impeller:Plastic:(Flammability:UL94V-0)  
 风扇单重:44g(Weight:44g)



## P@Q CURVE(AT RATEDVOLTAGE)



## DIMENSIONS DRAWING(unit:mm)



## 编码规则 Code Rule

例子 Example DCH12038H12B-DCH1701  
 DCH12038H12X-AY

Model No. is DCH12038H12X; Extro P/N code is AY  
 X means bearing type, can be S(sleeve bearing), can be B(ball bearing), can be Y(HY bearing), can be SU(sleeve with UL), can be BU(ball with UL), can be YU(HY with UL)  
 Y means special function code, it will be used for a certain parts no. or client.  
 产品型号 DCH12038H12X;附加代码 AY. X是一个不确定值,它代表了不同的轴承类型,  
 S(含油轴承),B(滚珠轴承),Y(液压轴承),SU(含油轴承带UL),BU(滚珠轴承带UL),YU(液压轴承带UL)  
 Y是一个不确定的值,它代表不同特殊风机功能,由具体客户或者料号来确定

Model	P/N Code	Rated Voltage	Operating Voltage Range	Rated Current	Rated Input Power	Speed	Maximum Air Flow		Maximum Air Pressure		Noise
型号	P/N 附加码	额定电压	工作电压范围	额定电流	额定输入功率	转速	最大风量		最大风压		噪音
PART.NO.	AY	VDC	VDC	Amp	Watt	R.P.M	M³/min	CFM	mmH2O	InH2O	dB-A
DA7015VL05X		5	1.8~3~6	0.1	0.48	2000	0.395	13.9	0.89	0.035	22.9
DA7015VL12X		12	1.8~3~13.5	0.04	0.48	2500	0.421	14.8	1.36	0.054	22.9
DA7015LL12X		12	1.8~3~13.5	0.06	0.72	3000	0.558	19.7	2.10	0.083	27.2
DA7015L12X		12	1.8~3~13.5	0.08	0.96	3500	0.652	23.0	2.92	0.115	33.3
DA7015M12X		12	1.8~3~13.5	0.12	1.44	4000	0.737	26.0	3.55	0.140	36.2
DA7015H12X		12	1.8~3~13.5	0.18	2.16	4500	0.844	29.8	4.62	0.182	38.9
DA7015VL24X		24	18~26.5	0.02	0.48	2500	0.421	14.8	1.36	0.054	22.9
DA7015LL24X		24	18~26.5	0.03	0.72	3000	0.558	19.7	2.10	0.083	27.2
DA7015L24X		24	18~26.5	0.04	0.96	3500	0.652	23.0	2.92	0.115	33.3
DA7015M24X		24	18~26.5	0.06	1.44	4000	0.737	26.0	3.55	0.140	36.2
DA7015H24X		24	18~26.5	0.09	2.16	4500	0.844	29.8	4.62	0.182	38.9



TKFAN®

UL US CE RoHS

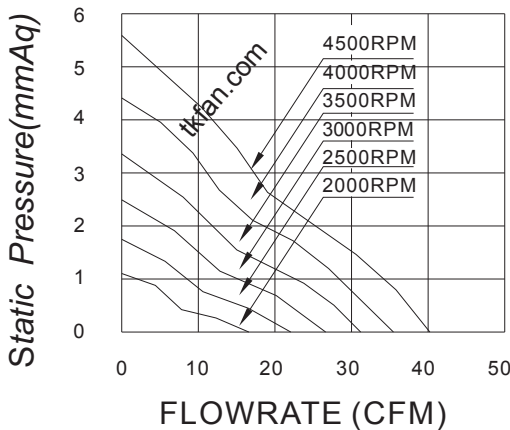
# DC Brushless FAN 70x70x20mm-A Type

版次Version 2017-4-12

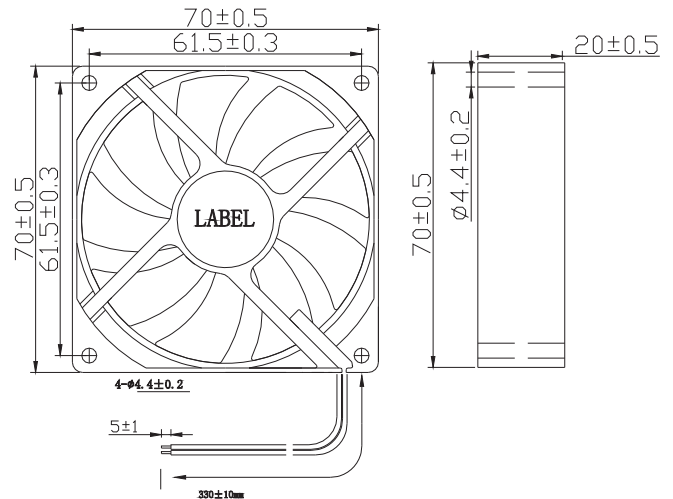
轴承结构：双滚珠、含油、液压、其他  
 Bearing: two ball、sleeve、HY、other  
 框外材质: 塑胶(等级:UL94V-0)  
 Frame:Plastic(Flammability:UL94V-0)  
 扇叶材质:塑胶:(等级:UL94V-0)  
 Impeller:Plastic:(Flammability:UL94V-0)  
 风扇单重:60g(Weight:60g)



## P@Q CURVE(AT RATEDVOLTAGE)



## DIMENSIONS DRAWING(unit:mm)



## 编码规则 Code Rule

例子 Example DCH12038H12B-DCH1701  
 DCH12038H12X-AY

Model No. is DCH12038H12X; Extro P/N code is AY  
 X means bearing type, can be S(sleeve bearing), can be B(ball bearing), can be Y(HY bearing), can be SU(sleeve with UL), can be BU(ball with UL), can be YU(HY with UL)  
 Y means special function code, it will be used for a certain parts no. or client.  
 产品型号 DCH12038H12X;附加代码 AY. X是一个不确定值,它代表了不同的轴承类型,  
 S(含油轴承),B(滚珠轴承),Y(液压轴承),SU(含油轴承带UL),BU(滚珠轴承带UL),YU(液压轴承带UL)  
 Y是一个不确定的值,它代表不同特殊风机功能,由具体客户或者料号来确定

Model	P/N Code	Rated Voltage	Operating Voltage Range	Rated Current	Rated Input Power	Speed	Maximum Air Flow		Maximum Air Pressure		Noise
型号	P/N 附加码	额定电压	工作电压范围	额定电流	额定输入功率	转速	最大风量		最大风压		噪音
PART.NO.	AY	VDC	VDC	Amp	Watt	R.P.M	M³/min	CFM	mmH2O	InH2O	dB-A
DA7020LL12X		12	7~13.5	0.1	1.2	2000	0.472	16.6	1.07	0.042	24.2
DA7020L12X		12	7~13.5	0.18	2.16	2500	0.620	21.8	1.78	0.070	25.8
DA7020M12X		12	7~13.5	0.27	3.24	3000	0.738	26.0	2.44	0.096	30.4
DA7020H12X		12	7~13.5	0.35	4.2	3500	0.882	31.1	3.33	0.131	34.5
DA7020HH12X		12	7~13.5	0.42	5.04	4000	1.001	35.3	4.41	0.174	38.3
DA7020VH12X		12	7~13.5	0.48	5.76	4500	1.144	40.4	5.69	0.224	42.2
DA7020L124X		24	18~26.5	0.05	1.2	2000	0.472	16.6	1.07	0.042	24.2
DA7020L24X		24	18~26.5	0.09	2.16	2500	0.620	21.8	1.78	0.070	25.8
DA7020M24X		24	18~26.5	0.135	3.24	3000	0.738	26.0	2.44	0.096	30.4
DA7020H24X		24	18~26.5	0.175	4.2	3500	0.882	31.1	3.33	0.131	34.5
DA7020HH24X		24	18~26.5	0.21	5.04	4000	1.001	35.3	4.41	0.174	38.3
DA7020VH24X		24	18~26.5	0.24	5.76	4500	1.144	40.4	5.69	0.224	42.2



TKFAN®

UL US CE RoHS

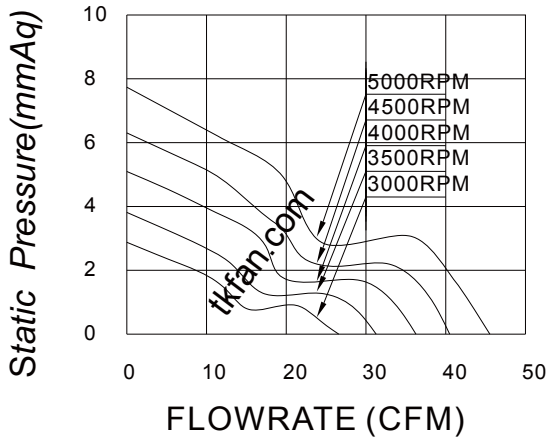
# DC Brushless FAN 70x70x25mm-A Type

版次Version 2017-4-12

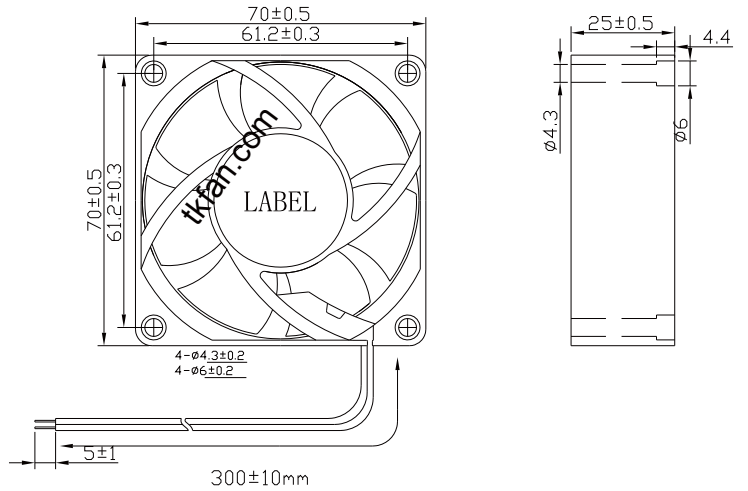
轴承结构：双滚珠、含油、液压、其他  
 Bearing: two ball、sleeve、HY、other  
 框外材质: 塑胶(等级:UL94V-0)  
 Frame:Plastic(Flammability:UL94V-0)  
 扇叶材质:塑胶:(等级:UL94V-0)  
 Impeller:Plastic:(Flammability:UL94V-0)  
 风扇单重:68g(Weight:68g)



## P@Q CURVE(AT RATEDVOLTAGE)



## DIMENSIONS DRAWING(unit:mm)



## 编码规则 Code Rule

例子 Example DCH12038H12B-DCH1701  
 DCH12038H12X-AY

Model No. is DCH12038H12X; Extro P/N code is AY  
 X means bearing type, can be S(sleeve bearing), can be B(ball bearing), can be Y(HY bearing), can be SU(sleeve with UL), can be BU(ball with UL), can be YU(HY with UL)  
 Y means special function code, it will be used for a certain parts no. or client.  
 产品型号 DCH12038H12X; 附加代码 AY. X是一个不确定值, 它代表了不同的轴承类型,  
 S(含油轴承), B(滚珠轴承), Y(液压轴承), SU(含油轴承带UL), BU(滚珠轴承带UL), YU(液压轴承带UL)  
 Y是一个不确定的值, 它代表不同特殊风机功能, 由具体客户或者料号来确定

Model	P/N Code	Rated Voltage	Operating Voltage Range	Rated Current	Rated Input Power	Speed	Maximum Air Flow		Maximum Air Pressure		Noise
型号	P/N 附加码	额定电压	工作电压范围	额定电流	额定输入功率	转速	最大风量		最大风压		噪音
PART.NO.	AY	VDC	VDC	Amp	Watt	R.P.M	M³/min	CFM	mmH2O	InH2O	dB-A
DA7025L12X		12	7~13.5	0.14	1.68	3000	0.760	26.8	2.93	0.115	32.5
DA7025M12X		12	7~13.5	0.176	2.16	3500	0.886	31.2	3.84	0.151	36.0
DA7025H12X		12	7~13.5	0.22	2.64	4000	1.022	36.0	5.09	0.200	40.9
DA7025HH12X		12	7~13.5	0.26	3.12	4500	1.147	40.5	6.29	0.248	43.0
DA7025VH12X		12	7~13.5	0.32	3.84	5000	1.274	44.9	7.80	0.307	47.3
DA7025L24X		24	18~26.5	0.07	1.68	3000	0.760	26.8	2.93	0.115	32.5
DA7025M24X		24	18~26.5	0.09	2.16	3500	0.886	31.2	3.84	0.151	36.0
DA7025H24X		24	18~26.5	0.11	2.64	4000	1.022	36.0	5.09	0.200	40.9
DA7025HH24X		24	18~26.5	0.13	3.12	4500	1.147	40.5	6.29	0.248	43.0
DA7025VH24X		24	18~26.5	0.16	3.84	5000	1.274	44.9	7.80	0.307	47.3
DA7025M48X		48	36~54	0.045	2.16	3500	0.886	31.2	3.84	0.151	36.0
DA7025H48X		48	36~54	0.055	2.64	4000	1.022	36.0	5.09	0.200	40.9
DA7025HH48X		48	36~54	0.065	3.12	4500	1.147	40.5	6.29	0.248	43.0
DA7025VH48X	48	36~54	0.08	3.84	5000	1.274	44.9	7.80	0.307	47.3	



TKFAN®

UL US CE RoHS

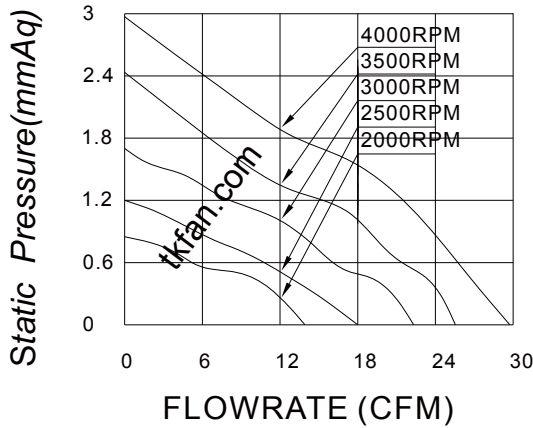
# DC Brushless FAN 80x80x10mm-A Type

版次Version 2017-4-12

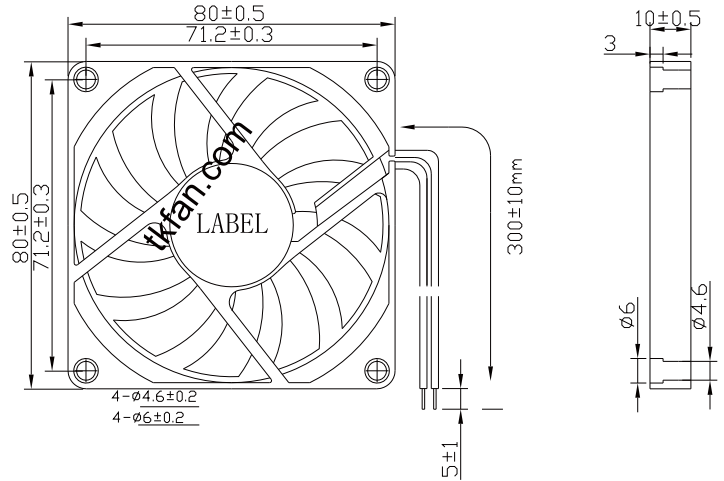
轴承结构：双滚珠、含油、液压、其他  
 Bearing: two ball、sleeve、HY、other  
 框外材质: 塑胶(等级:UL94V-0)  
 Frame:Plastic(Flammability:UL94V-0)  
 扇叶材质:塑胶:(等级:UL94V-0)  
 Impeller:Plastic:(Flammability:UL94V-0)  
 风扇单重:39g(Weight:39g)



## P@Q CURVE(AT RATEDVOLTAGE)



## DIMENSIONS DRAWING(unit:mm)



## 编码规则 Code Rule

例子 Example DCH12038H12B-DCH1701  
 DCH12038H12X-AY

Model No. is DCH12038H12X; Extro P/N code is AY  
 X means bearing type, can be S(sleeve bearing), can be B(ball bearing), can be Y(HY bearing), can be SU(sleeve with UL), can be BU(ball with UL), can be YU(HY with UL)  
 Y means special function code, it will be used for a certain parts no. or client.  
 产品型号 DCH12038H12X;附加代码 AY. X是一个不确定值,它代表了不同的轴承类型,  
 S(含油轴承),B(滚珠轴承),Y(液压轴承),SU(含油轴承带UL),BU(滚珠轴承带UL),YU(液压轴承带UL)  
 Y是一个不确定的值,它代表不同特殊风机功能,由具体客户或者料号来确定

Model	P/N Code	Rated Voltage	Operating Voltage Range	Rated Current	Rated Input Power	Speed	Maximum Air Flow		Maximum Air Pressure		Noise
型号	P/N 附加码	额定电压	工作电压范围	额定电流	额定输入功率	转速	最大风量		最大风压		噪音
PART.NO.	AY	VDC	VDC	Amp	Watt	R.P.M	M³/min	CFM	mmH2O	InH2O	dB-A
DA8010VL12X		5	1.8~3~6	0.144	0.72	2000	0.395	13.9	0.89	0.035	22.9
DA8010VL12X		12	1.8~3~13.5	0.06	0.72	2000	0.395	13.9	0.89	0.035	22.9
DA8010L12X		12	1.8~3~13.5	0.1	1.2	2500	0.506	17.8	1.20	0.047	26.5
DA8010M12X		12	1.8~3~13.5	0.16	1.92	3000	0.619	21.8	1.71	0.067	30.7
DA8010H12X		12	1.8~3~13.5	0.22	2.64	3500	0.725	25.6	2.44	0.096	34.9
DA8010VL24X		24	18~26.5	0.03	0.72	2000	0.395	13.9	0.89	0.035	22.9
DA8010L24X		24	18~26.5	0.05	1.2	2500	0.506	17.8	1.20	0.047	26.5
DA8010M24X		24	18~26.5	0.08	1.92	3000	0.619	21.8	1.71	0.067	30.7
DA8010H24X		24	18~26.5	0.11	2.64	3500	0.725	25.6	2.44	0.096	34.9



TKFAN®

UL US CE RoHS

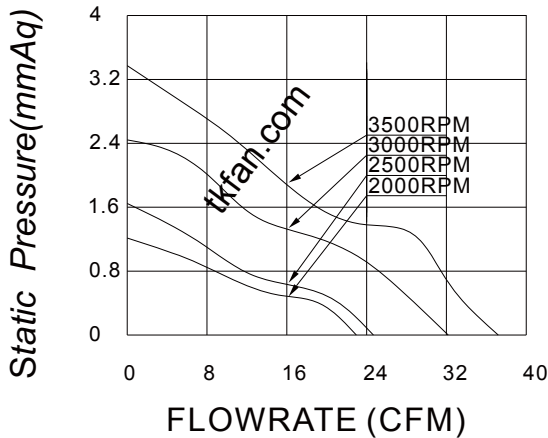
# DC Brushless FAN 80x80x15mm-A Type

版次Version 2017-4-12

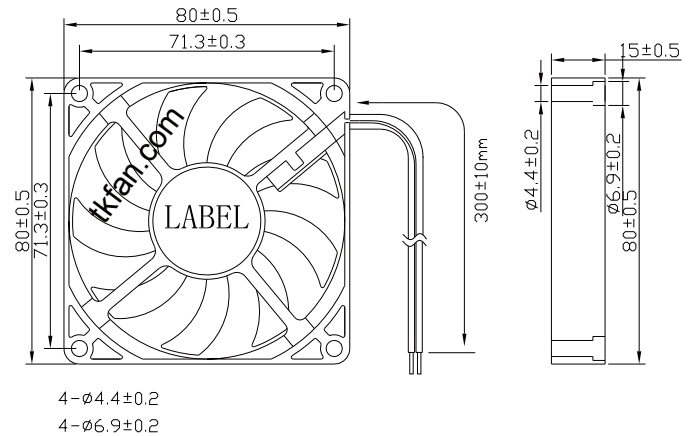
轴承结构：双滚珠、含油、液压、其他  
 Bearing: two ball、sleeve、HY、other  
 框外材质: 塑胶(等级:UL94V-0)  
 Frame:Plastic(Flammability:UL94V-0)  
 扇叶材质:塑胶:(等级:UL94V-0)  
 Impeller:Plastic:(Flammability:UL94V-0)  
 风扇单重:49g(Weight:49g)



## P@Q CURVE(AT RATEDVOLTAGE)



## DIMENSIONS DRAWING(unit:mm)



## 编码规则 Code Rule

例子 Example DCH12038H12B-DCH1701  
 DCH12038H12X-AY

Model No. is DCH12038H12X; Extro P/N code is AY  
 X means bearing type, can be S(sleeve bearing), can be B(ball bearing), can be Y(HY bearing), can be SU(sleeve with UL), can be BU(ball with UL), can be YU(HY with UL)  
 Y means special function code, it will be used for a certain parts no. or client.  
 产品型号 DCH12038H12X; 附加代码 AY. X是一个不确定值, 它代表了不同的轴承类型, S(含油轴承), B(滚珠轴承), Y(液压轴承), SU(含油轴承带UL), BU(滚珠轴承带UL), YU(液压轴承带UL)  
 Y是一个不确定的值, 它代表不同特殊风机功能, 由具体客户或者料号来确定

Model	P/N Code	Rated Voltage	Operating Voltage Range	Rated Current	Rated Input Power	Speed	Maximum Air Flow		Maximum Air Pressure		Noise
型号	P/N 附加码	额定电压	工作电压范围	额定电流	额定输入功率	转速	最大风量	最大风量	最大风压	最大风压	噪音
PART.NO.	AY	VDC	VDC	Amp	Watt	R.P.M	M³/min	CFM	mmH2O	InH2O	dB-A
DA8015L05X		5	1.8~3~6	0.24	1.2	2000	0.645	22.8	1.20	0.047	30.4
DA8015L12X		12	1.8~3~13.5	0.1	1.2	2000	0.645	22.8	1.20	0.047	30.4
DA8015M12X		12	1.8~3~13.5	0.13	1.56	2500	0.708	25.0	1.65	0.065	33.5
DA8015H12X		12	1.8~3~13.5	0.21	2.52	3000	0.903	31.9	2.44	0.096	36.2
DA8015HH12X		12	1.8~3~13.5	0.3	3.6	3500	1.036	36.6	3.38	0.133	40.3
DA8015L24X		24	18~26.5	0.06	1.44	2000	0.645	22.8	1.20	0.047	30.4
DA8015M24X		24	18~26.5	0.08	1.92	2500	0.708	25.0	1.65	0.065	33.5
DA8015H24X		24	18~26.5	0.1	2.4	3000	0.903	31.9	2.44	0.096	36.2
DA8015HH24X		24	18~26.5	0.18	4.32	3500	1.036	36.6	3.38	0.133	40.3



TKFAN®

UL US CE RoHS

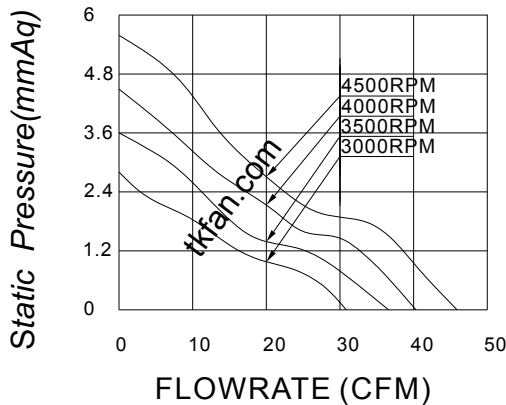
# DC Brushless FAN 80x80x20mm-A Type

版次Version 2017-4-12

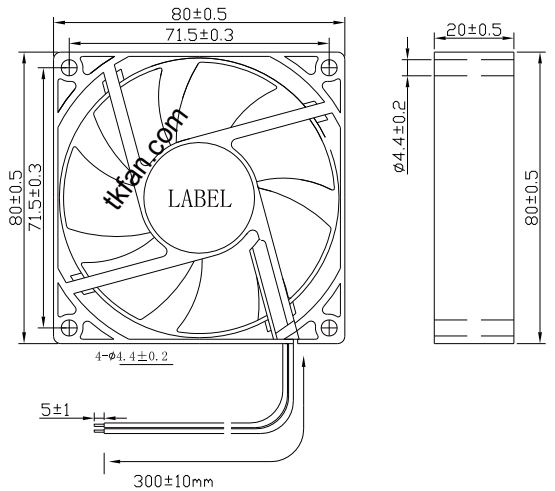
轴承结构：双滚珠、含油、液压、其他  
 Bearing: two ball、sleeve、HY、other  
 框外材质: 塑胶(等级:UL94V-0)  
 Frame:Plastic(Flammability:UL94V-0)  
 扇叶材质:塑胶:(等级:UL94V-0)  
 Impeller:Plastic:(Flammability:UL94V-0)  
 风扇单重:60g(Weight:60g)



## P@Q CURVE(AT RATEDVOLTAGE)



## DIMENSIONS DRAWING(unit:mm)



## 编码规则 Code Rule

例子 Example DCH12038H12B-DCH1701  
 DCH12038H12X-AY

Model No. is DCH12038H12X; Extro P/N code is AY  
 X means bearing type, can be S(sleeve bearing), can be B(ball bearing), can be Y(HY bearing), can be SU(sleeve with UL), can be BU(ball with UL), can be YU(HY with UL)  
 Y means special function code, it will be used for a certain parts no. or client.  
 产品型号 DCH12038H12X;附加代码 AY. X是一个不确定值,它代表了不同的轴承类型,  
 S(含油轴承),B(滚珠轴承),Y(液压轴承),SU(含油轴承带UL),BU(滚珠轴承带UL),YU(液压轴承带UL)  
 Y是一个不确定的值,它代表不同特殊风机功能,由具体客户或者料号来确定

Model	P/N Code	Rated Voltage	Operating Voltage Range	Rated Current	Rated Input Power	Speed	Maximum Air Flow	Maximum Air Pressure	Noise		
型号	P/N 附加码	额定电压	工作电压范围	额定电流	额定输入功率	转速	最大风量	最大风压	噪音		
PART.NO.	AY	VDC	VDC	Amp	Watt	R.P.M	M³/min	CFM	mmH2O	InH2O	dB-A
DA8020L12X		12	7~13.5	0.16	1.92	3000	0.874	30.9	2.82	0.111	35.7
DA8020M12X		12	7~13.5	0.22	2.64	3500	1.010	35.7	3.60	0.142	38.5
DA8020H12X		12	7~13.5	0.26	3.12	4000	1.135	40.1	4.41	0.174	41.6
DA8020HH12X		12	7~13.5	0.34	4.08	4500	1.276	45.1	5.51	0.217	45.3
DA8020L24X		24	18~26.5	0.08	1.92	3000	0.874	30.9	2.82	0.111	35.7
DA8020M24X		24	18~26.5	0.11	2.64	3500	1.010	35.7	3.60	0.142	38.5
DA8020H24X		24	18~26.5	0.13	3.12	4000	1.135	40.1	4.41	0.174	41.6
DA8020HH24X		24	18~26.5	0.17	4.08	4500	1.276	45.1	5.51	0.217	45.3
DA8020L48X		48	36~54	0.04	1.92	3000	0.874	30.9	2.82	0.111	35.7
DA8020M48X		48	36~54	0.055	2.64	3500	1.010	35.7	3.60	0.142	38.5
DA8020H48X		48	36~54	0.065	3.12	4000	1.135	40.1	4.41	0.174	41.6
DA8020HH48X		48	36~54	0.08	4.08	4500	1.276	45.1	5.51	0.217	45.3



TKFAN®

UL US CE RoHS

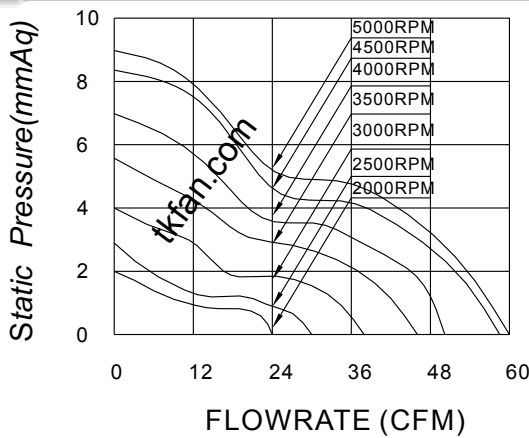
# DC Brushless FAN 80x80x25mm-A Type

版次Version 2017-4-12

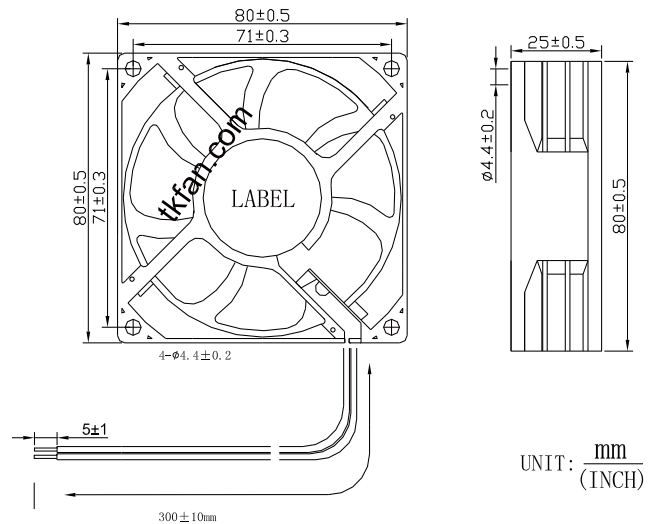
轴承结构：双滚珠、含油、液压、其他  
 Bearing: two ball、sleeve、HY、other  
 框外材质: 塑胶(等级:UL94V-0)  
 Frame:Plastic(Flammability:UL94V-0)  
 扇叶材质:塑胶:(等级:UL94V-0)  
 Impeller:Plastic:(Flammability:UL94V-0)  
 风扇单重:85g(Weight:85g)



## P@Q CURVE(AT RATEDVOLTAGE)



## DIMENSIONS DRAWING(unit:mm)



## 编码规则 Code Rule

例子 Example DCH12038H12B-DCH1701  
 DCH12038H12X-AY

Model No. is DCH12038H12X; Extro P/N code is AY  
 X means bearing type, can be S(sleeve bearing), can be B(ball bearing), can be Y(HY bearing), can be SU(sleeve with UL), can be BU(ball with UL), can be YU(HY with UL)  
 Y means special function code, it will be used for a certain parts no. or client.  
 产品型号 DCH12038H12X;附加代码 AY. X是一个不确定值,它代表了不同的轴承类型,  
 S(含油轴承),B(滚珠轴承),Y(液压轴承),SU(含油轴承带UL),BU(滚珠轴承带UL),YU(液压轴承带UL)  
 Y是一个不确定的值,它代表不同特殊风机功能,由具体客户或者料号来确定

Model	P/N Code	Rated Voltage	Operating Voltage Range	Rated Current	Rated Input Power	Speed	Maximum Air Flow		Maximum Air Pressure		Noise
型号	P/N 附加码	额定电压	工作电压范围	额定电流	额定输入功率	转速	最大风量		最大风压		噪音
PART.NO.	AY	VDC	VDC	Amp	Watt	R.P.M	M³/min	CFM	mmH2O	InH2O	dB-A
DA8025LL12X		12	7~13.5	0.08	0.96	2000	0.69	24.4	2.0	0.08	25.8
DA8025L12X		12	7~13.5	0.12	1.44	2500	0.89	31.4	2.8	0.11	29.1
DA8025M12X		12	7~13.5	0.15	1.8	3000	1.07	37.9	4.0	0.16	34.2
DA8025H12X		12	7~13.5	0.25	3.0	3500	1.25	44.3	5.3	0.21	36.9
DA8025HH12X		12	7~13.5	0.30	3.6	4000	1.44	50.8	7.0	0.28	41.8
DA8025VH12X		12	7~13.5	0.50	6.0	4500	1.63	57.6	8.5	0.33	45.4
DA8025HV12X		12	7~13.5	0.63	7.56	5000	1.71	60.5	8.9	0.35	46.3
DA8025M24X		24	18~26.5	0.08	1.92	3000	1.07	37.9	4.0	0.16	34.2
DA8025HH24X		24	18~26.5	0.16	3.84	4000	1.44	50.8	7.0	0.28	41.8
DA8025HV24X		24	18~26.5	0.32	7.68	5000	1.71	60.5	8.9	0.35	46.3
DA8025M48X		48	36~54	0.04	1.92	3000	1.07	37.9	4.0	0.16	34.2
DA8025HH48X		48	36~54	0.08	3.84	4000	1.44	50.8	7.0	0.28	41.8
DA8025HV48X		48	36~54	0.17	8.16	5000	1.71	60.5	8.9	0.35	46.3



TKFAN®

UL US CE RoHS

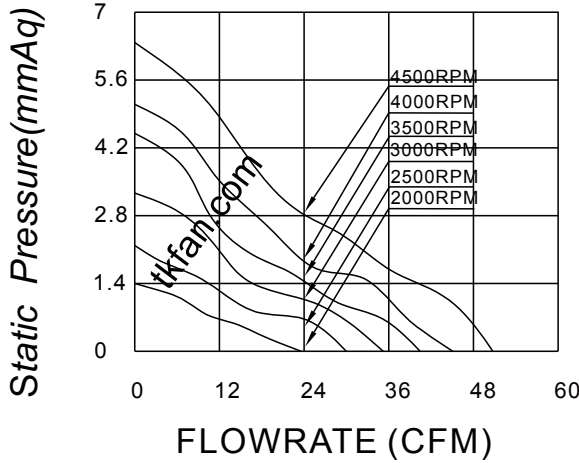
# DC Brushless FAN 80x80x25mm-B Type

版次Version 2017-4-12

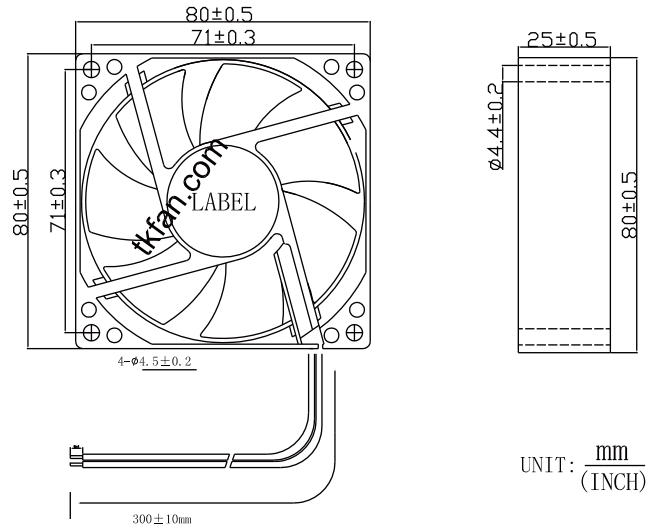
轴承结构：双滚珠、含油、液压、其他  
 Bearing: two ball、sleeve、HY、other  
 框外材质: 塑胶(等级:UL94V-0)  
 Frame:Plastic(Flammability:UL94V-0)  
 扇叶材质:塑胶:(等级:UL94V-0)  
 Impeller:Plastic:(Flammability:UL94V-0)  
 风扇单重:85g(Weight:85g)



## P@Q CURVE(AT RATEDVOLTAGE)



## DIMENSIONS DRAWING(unit:mm)



## 编码规则 Code Rule

例子 Example DCH12038H12B-DCH1701  
 DCH12038H12X-AY

Model No. is DCH12038H12X; Extro P/N code is AY

X means bearing type, can be S(sleeve bearing), can be B(ball bearing), can be Y(HY bearing), can be SU(sleeve with UL), can be BU(ball with UL), can be YU(HY with UL)

Y means special function code, it will be used for a certain parts no. or client.

产品型号 DCH12038H12X;附加代码 AY. X是一个不确定值,它代表了不同的轴承类型,

S(含油轴承),B(滚珠轴承),Y(液压轴承),SU(含油轴承带UL),BU(滚珠轴承带UL),YU(液压轴承带UL)

Y是一个不确定的值,它代表不同特殊风机功能,由具体客户或者料号来确定

Model	P/N Code	Rated Voltage	Operating Voltage Range	Rated Current	Rated Input Power	Speed	Maximum Air Flow		Maximum Air Pressure		Noise
型号	P/N 附加码	额定电压	工作电压范围	额定电流	额定输入功率	转速	最大风量		最大风压		噪音
PART.NO.	BY	VDC	VDC	Amp	Watt	R.P.M	M³/min	CFM	mmH2O	InH2O	dB-A
DA8025LL12X		12	7~13.5	0.08	0.96	2000	0.65	23.1	1.4	0.06	24.9
DA8025L12X		12	7~13.5	0.12	1.44	2500	0.84	29.6	2.1	0.08	29.6
DA8025M12X		12	7~13.5	0.15	1.8	3000	0.99	34.9	3.1	0.12	35.1
DA8025H12X		12	7~13.5	0.25	3.0	3500	1.14	40.4	4.1	0.16	40.3
DA8025HH12X		12	7~13.5	0.30	3.6	4000	1.27	44.9	5.2	0.20	42.4
DA8025VH12X		12	7~13.5	0.50	6.0	4500	1.43	50.2	6.2	0.24	45.4
DA8025M24X		24	18~26.5	0.08	1.92	3000	0.99	34.9	3.1	0.12	35.1
DA8025HH24X		24	18~26.5	0.16	3.84	4000	1.27	44.9	5.2	0.20	42.4
DA8025VH24X		24	18~26.5	0.25	6.00	4500	1.43	50.2	6.2	0.24	45.4
DA8025M48X		48	36~54	0.04	1.92	3000	0.99	34.9	3.1	0.12	35.1
DA8025HH48X		48	36~54	0.08	3.84	4000	1.27	44.9	5.2	0.20	42.4
DA8025VH48X		48	36~54	0.12	5.76	4500	1.43	50.2	6.2	0.24	45.4



TKFAN®

C US CE RoHS

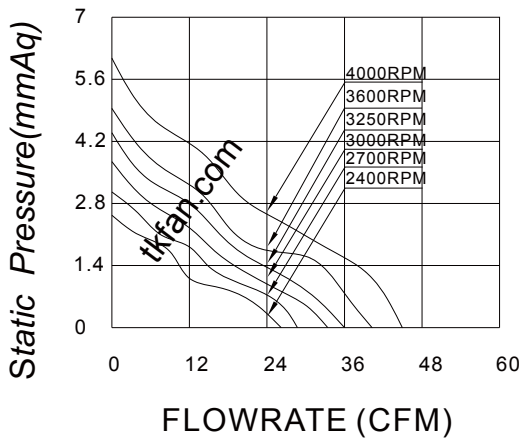
# DC Brushless FAN 80x80x25mm-C Type

版次Version 2017-4-12

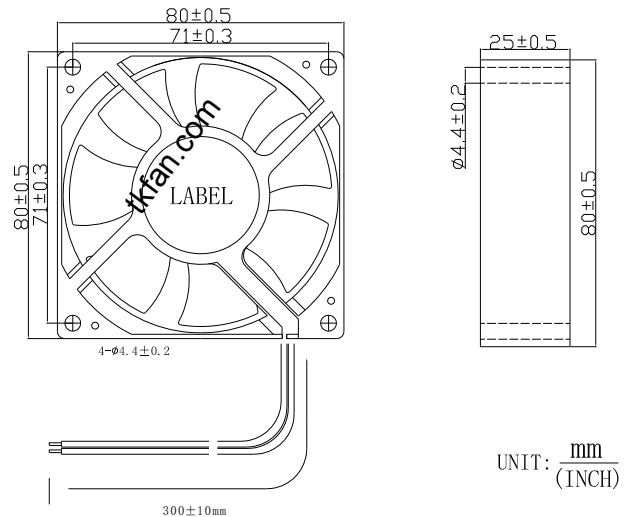
轴承结构：双滚珠、含油、液压、其他  
 Bearing: two ball、sleeve、HY、other  
 框外材质: 塑胶(等级:UL94V-0)  
 Frame:Plastic(Flammability:UL94V-0)  
 扇叶材质:塑胶:(等级:UL94V-0)  
 Impeller:Plastic:(Flammability:UL94V-0)  
 风扇单重:85g(Weight:85g)



## P@Q CURVE(AT RATEDVOLTAGE)



## DIMENSIONS DRAWING(unit:mm)



## 编码规则 Code Rule

例子 Example DCH12038H12B-DCH1701  
 DCH12038H12X-AY

Model No. is DCH12038H12X; Extro P/N code is AY  
 X means bearing type, can be S(sleeve bearing), can be B(ball bearing), can be Y(HY bearing), can be SU(sleeve with UL), can be BU(ball with UL), can be YU(HY with UL)  
 Y means special function code, it will be used for a certain parts no. or client.  
 产品型号 DCH12038H12X;附加代码 AY. X是一个不确定值,它代表了不同的轴承类型,  
 S(含油轴承),B(滚珠轴承),Y(液压轴承),SU(含油轴承带UL),BU(滚珠轴承带UL),YU(液压轴承带UL)  
 Y是一个不确定的值,它代表不同特殊风机功能,由具体客户或者料号来确定

Model	P/N Code	Rated Voltage	Operating Voltage Range	Rated Current	Rated Input Power	Speed	Maximum Air Flow		Maximum Air Pressure		Noise
型号	P/N 附加码	额定电压	工作电压范围	额定电流	额定输入功率	转速	最大风量		最大风压		噪音
PART.NO.	CY	VDC	VDC	Amp	Watt	R.P.M	M³/min	CFM	mmH2O	InH2O	dB-A
DA8025LL12X		12	7~13.5	0.08	0.96	2400	0.77	27.3	2.5	0.10	24.9
DA8025L12X		12	7~13.5	0.12	1.44	2700	0.84	29.8	3.0	0.12	29.6
DA8025M12X		12	7~13.5	0.15	1.8	3000	0.94	33.3	3.7	0.14	35.1
DA8025H12X		12	7~13.5	0.25	3.0	3250	1.02	36.0	4.1	0.16	40.3
DA8025HH12X		12	7~13.5	0.30	3.6	3600	1.14	40.3	5.0	0.20	42.4
DA8025VH12X		12	7~13.5	0.50	6.0	4000	1.26	44.4	6.1	0.24	45.4
DA8025M24X		24	18~26.5	0.08	1.92	3000	0.94	33.3	3.7	0.14	35.1
DA8025HH24X		24	18~26.5	0.16	3.84	3600	1.14	40.3	5.0	0.20	42.4
DA8025VH24X		24	18~26.5	0.27	6.5	4000	1.26	44.4	6.1	0.24	45.4
DA8025M48X		48	36~54	0.04	1.92	3000	0.94	33.3	3.7	0.14	35.1
DA8025HH48X		48	36~54	0.08	3.84	3600	1.14	40.3	5.0	0.20	42.4
DA8025VH48X		48	36~54	0.14	6.75	4000	1.26	44.4	6.1	0.24	45.4



TKFAN®

UL US CE RoHS

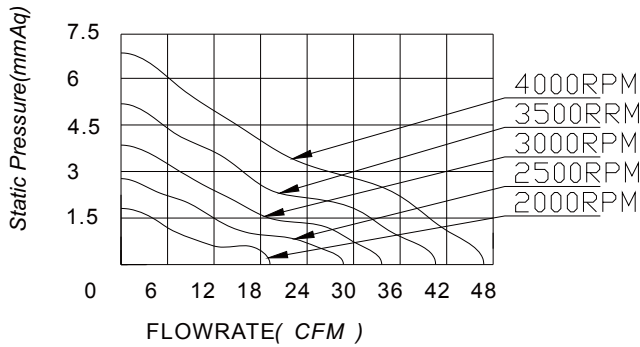
# DC Brushless FAN 80x80x25mm-D Type

版次Version 2018-6-14

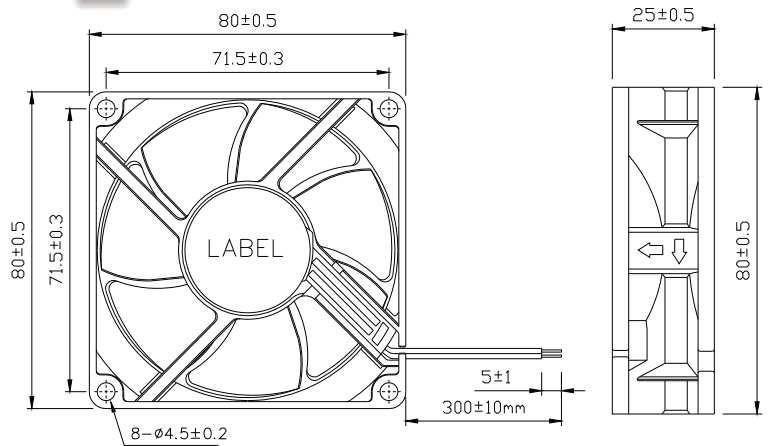
轴承结构：双滚珠、含油、液压、其他  
 Bearing: two ball、sleeve、HY、other  
 框外材质: 塑胶(等级:UL94V-0)  
 Frame:Plastic(Flammability:UL94V-0)  
 扇叶材质:塑胶:(等级:UL94V-0)  
 Impeller:Plastic:(Flammability:UL94V-0)  
 风扇单重:85g(Weight:85g)



## P@Q CURVE(AT RATEDVOLTAGE)



## DIMENSIONS DRAWING(unit:mm)



## 编码规则 Code Rule

例子 Example DCH12038H12B-DCH1701  
 DCH12038H12X-AY

Model No. is DCH12038H12X; Extro P/N code is AY  
 X means bearing type, can be S(sleeve bearing), can be B(ball bearing), can be Y(HY bearing), can be SU(sleeve with UL), can be BU(ball with UL), can be YU(HY with UL)  
 Y means special function code, it will be used for a certain parts no. or client.  
 产品型号 DCH12038H12X; 附加代码 AY. X是一个不确定值, 它代表了不同的轴承类型, S(含油轴承), B(滚珠轴承), Y(液压轴承), SU(含油轴承带UL), BU(滚珠轴承带UL), YU(液压轴承带UL)  
 Y是一个不确定的值, 它代表不同特殊风机功能, 由具体客户或者料号来确定

Model	P/N Code	Rated Voltage	Operating Voltage Range	Rated Current	Rated Input Power	Speed	Maximum Air Flow		Maximum Air Pressure		Noise
型号	P/N 附加码	额定电压	工作电压范围	额定电流	额定输入功率	转速	最大风量		最大风压		噪音
PART.NO.	DY	VDC	VDC	Amp	Watt	R.P.M	M³/min	CFM	mmH2O	InH2O	dB-A
DA8025L12X		12	7.5~13.5	0.08	0.96	2000	0.544	19.22	1.81	0.071	25
DA8025M12X		12	7.5~13.5	0.12	1.44	2500	0.812	28.69	2.77	0.109	29.3
DA8025H12X		12	7.5~13.5	0.16	1.92	3000	0.952	33.64	3.85	0.152	32.7
DA8025HH12X		12	7.5~13.5	0.22	2.64	3500	1.149	40.59	5.18	0.204	38.6
DA8025VH12X		12	7.5~13.5	0.28	3.36	4000	1.324	46.8	6.82	0.269	41.8
DA8025L24X		24	18~26.5	0.04	0.96	2000	0.544	19.22	1.81	0.071	25
DA8025M24X		24	18~26.5	0.06	1.44	2500	0.812	28.69	2.77	0.109	29.3
DA8025H24X		24	18~26.5	0.08	1.92	3000	0.952	33.64	3.85	0.152	32.7
DA8025HH24X		24	18~26.5	0.11	2.64	3500	1.149	40.59	5.18	0.204	38.6
DA8025VH24X		24	18~26.5	0.14	3.36	4000	1.324	46.8	6.82	0.269	41.8
DA8025L48X		48	36~54	0.02	0.96	2000	0.544	19.22	1.81	0.071	25
DA8025M48X		48	36~54	0.03	1.44	2500	0.812	28.69	2.77	0.109	29.3
DA8025H48X		48	36~54	0.04	1.92	3000	0.952	33.64	3.85	0.152	32.7
DA8025HH48X		48	36~54	0.055	2.64	3500	1.149	40.59	5.18	0.204	38.6
DA8025VH48X		48	36~54	0.07	3.36	4000	1.324	46.8	6.82	0.269	41.8



TKFAN®

UL US CE RoHS

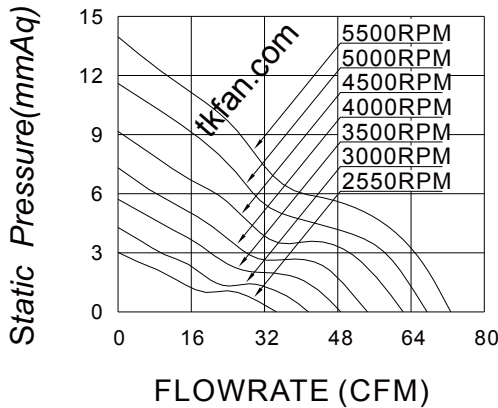
# DC Brushless FAN 80x80x25mm-E Type

版次Version 2018-11-5

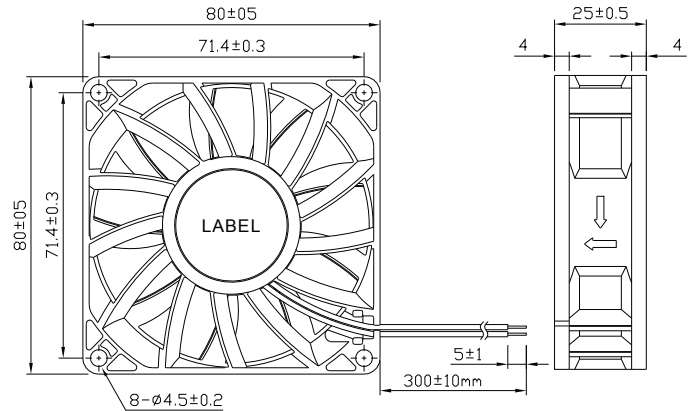
轴承结构：双滚珠、含油  
 Bearing: two ball、sleeve  
 框外材质: 塑胶(等级:UL94V-0)  
 Frame:Plastic(Flammability:UL94V-0)  
 扇叶材质:塑胶:(等级:UL94V-0)  
 Impeller:Plastic:(Flammability:UL94V-0)  
 风扇单重:90g(Weight:90g)



## P@Q CURVE(AT RATEDVOLTAGE)



## DIMENSIONS DRAWING(unit:mm)



## 编码规则 Code Rule

例子 Example DCH12038H12B-A1701  
DCH12038H12X-AY

Model No. is DCH12038H12X; Extro P/N code is AY

X means bearing type, can be S(sleeve bearing), can be B(ball bearing), can be Y(HY bearing), can be SU(sleeve with UL), can be BU(ball with UL), can be YU(HY with UL)

Y means special function code, it will be used for a certain parts no. or client.

产品型号 DCH12038H12X;附加代码 AY. X是一个不确定值,它代表了不同的轴承类型,

S(含油轴承),B(滚珠轴承),Y(液压轴承),SU(含油轴承带UL),BU(滚珠轴承带UL),YU(液压轴承带UL)

Y是一个不确定的值,它代表不同特殊风机功能,由具体客户或者料号来确定

UNIT:  $\frac{mm}{(INCH)}$

Model	P/N Code	Rated Voltage	Operating Voltage Range	Rated Current	Rated Input Power	Speed	Maximum Air Flow		Maximum Air Pressure		Noise
型号	P/N 附加码	额定电压	工作电压范围	额定电流	额定输入功率	转速	最大风量		最大风压		噪音
PART.NO.	EY	VDC	VDC	Amp	Watt	R.P.M	M³/min	CFM	mmH2O	InH2O	dB-A
DA8025LL12X		12	7.5~13.5	0.12	1.44	2550	0.984	34.77	3.02	0.119	32.9
DA8025L12X		12	7.5~13.5	0.15	1.80	3000	1.180	41.69	4.25	0.167	35.7
DA8025M12X		12	7.5~13.5	0.25	3.00	3500	1.378	48.66	5.73	0.226	39.4
DA8025H12X		12	7.5~13.5	0.30	3.60	4000	1.543	54.49	7.35	0.289	44.6
DA8025HH12X		12	7.5~13.5	0.36	4.32	4500	1.765	62.34	9.20	0.362	47.3
DA8025VH12X		12	7.5~13.5	0.56	6.72	5000	1.911	67.49	11.6	0.457	49.8
DA8025HV12X		12	7.5~13.5	0.66	7.92	5500	2.061	72.79	14.0	0.551	52.0
DA8025L24X		24	18~26.5	0.10	2.40	3000	1.180	41.69	4.25	0.167	35.7
DA8025H24X		24	18~26.5	0.16	3.84	4000	1.543	54.49	7.35	0.289	44.6
DA8025VH24X		24	18~26.5	0.26	6.24	5000	1.911	67.49	11.6	0.457	49.8
DA8025HV24X		24	18~26.5	0.35	8.4	5500	2.061	72.79	14.0	0.551	52.0
DA8025L48X		48	36~54	0.06	2.88	3000	1.180	41.69	4.25	0.167	35.7
DA8025H48X		48	36~54	0.12	5.76	4000	1.543	54.49	7.35	0.289	44.6
DA8025VH48X		48	36~54	0.17	8.16	5000	1.911	67.49	11.6	0.457	49.8
DA8025HV48X		48	36~54	0.22	10.56	5500	2.061	72.79	14.0	0.551	52.0



TKFAN®

C<sub>RU</sub> US CE RoHS

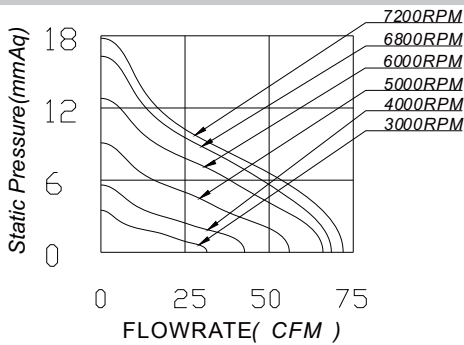
# DC Brushless FAN 80x80x25mm-F Type

版次Version 2019-10-24

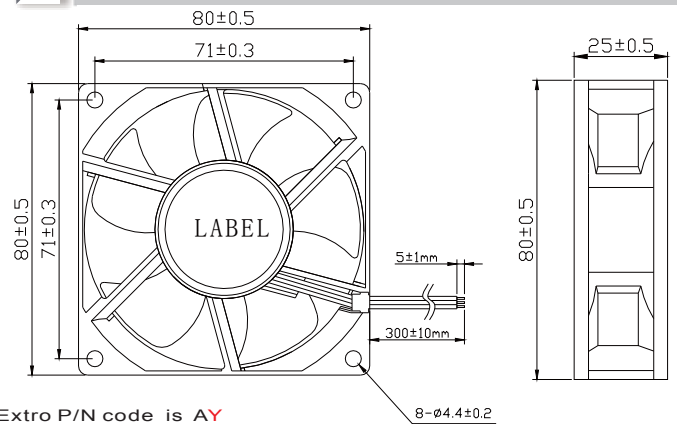
轴承结构：双滚珠、含油、液压、其他  
 Bearing: two ball、sleeve、HY、other  
 框外材质: 塑胶(等级:UL94V-0)  
 Frame:Plastic(Flammability:UL94V-0)  
 扇叶材质:塑胶:(等级:UL94V-0)  
 Impeller:Plastic:(Flammability:UL94V-0)  
 风扇单重:105g(Weight:105g)



## P@Q CURVE(AT RATEDVOLTAGE)



## DIMENSIONS DRAWING(unit:mm)



## 编码规则 Code Rule

例子 Example DCH12038H12B-DAH1701  
 DCH12038H12X-AY

Model No. is DCH12038H12X; Extro P/N code is AY

X means bearing type, can be S(sleeve bearing), can be B(ball bearing), can be Y(HY bearing), can be SU(sleeve with UL), can be BU(ball with UL), can be YU(HY with UL)  
 Y means special function code, it will be used for a certain parts no. or client.

产品型号 DCH12038H12X;附加代码 AY. X是一个不确定值,它代表了不同的轴承类型,  
 S(含油轴承),B(滚珠轴承),Y(液压轴承),SU(含油轴承带UL),BU(滚珠轴承带UL),YU(液压轴承带UL)  
 Y是一个不确定的值,它代表不同特殊风机功能,由具体客户或者料号来确定

Model	P/N Code	Rated Voltage	Operating Voltage Range	Rated Current	Rated Input Power	Speed	Maximum Air Flow		Maximum Air Pressure		Noise
型号	P/N 附加码	额定电压	工作电压范围	额定电流	额定输入功率	转速	最大风量		最大风压		噪音
PART.NO.		VDC	VDC	Amp	Watt	R.P.M	M³/min	CFM	mmH2O	InH2O	dB-A
DA8025L12X	FY	12	7.5~13.5	0.2	2.4	3000	0.891	31.49	3.53	0.139	28.3
DA8025M12X		12	7.5~13.5	0.3	3.6	4000	1.210	42.75	5.63	0.222	35.9
DA8025H12X		12	7.5~13.5	0.45	5.4	5000	1.586	56.04	9.16	0.361	43.9
DA8025HH12X		12	7.5~13.5	0.6	7.2	6000	1.872	66.16	12.82	0.505	48.5
DA8025VH12X		12	7.5~13.5	0.7	8.4	6800	1.937	68.44	16.35	0.644	54.2
DA8025HV12X		12	7.5~13.5	0.8	9.6	7200	2.037	71.99	17.74	0.698	57
DA8025L24X		24	18~26.5	0.1	2.4	3000	0.891	31.49	3.53	0.139	28.3
DA8025M24X		24	18~26.5	0.15	3.6	4000	1.210	42.75	5.63	0.222	35.9
DA8025H24X		24	18~26.5	0.225	5.4	5000	1.586	56.04	9.16	0.361	43.9
DA8025HH24X		24	18~26.5	0.3	7.2	6000	1.872	66.16	12.82	0.505	48.5
DA8025VH24X		24	18~26.5	0.35	8.4	6800	1.937	68.44	16.35	0.644	54.2
DA8025HV24X		24	18~26.5	0.4	9.6	7200	2.037	71.99	17.74	0.698	57
DA8025L48X		48	36~54	0.05	2.4	3000	0.891	31.49	3.53	0.139	28.3
DA8025M48X		48	36~54	0.075	3.6	4000	1.210	42.75	5.63	0.222	35.9
DA8025H48X		48	36~54	0.11	5.28	5000	1.586	56.04	9.16	0.361	43.9
DA8025HH48X		48	36~54	0.15	7.2	6000	1.872	66.16	12.82	0.505	48.5
DA8025VH48X		48	36~54	0.175	8.4	6800	1.937	68.44	16.35	0.644	54.2
DA8025HV48X		48	36~54	0.2	9.6	7200	2.037	71.99	17.74	0.698	57



TKFAN®

UL US CE RoHS

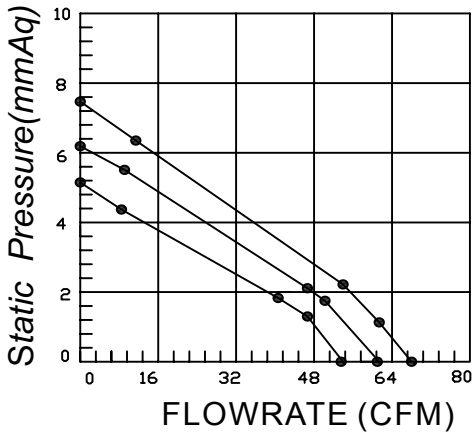
# DC Brushless FAN 80x80x25mm-G Type

版次Version 2022-5-26

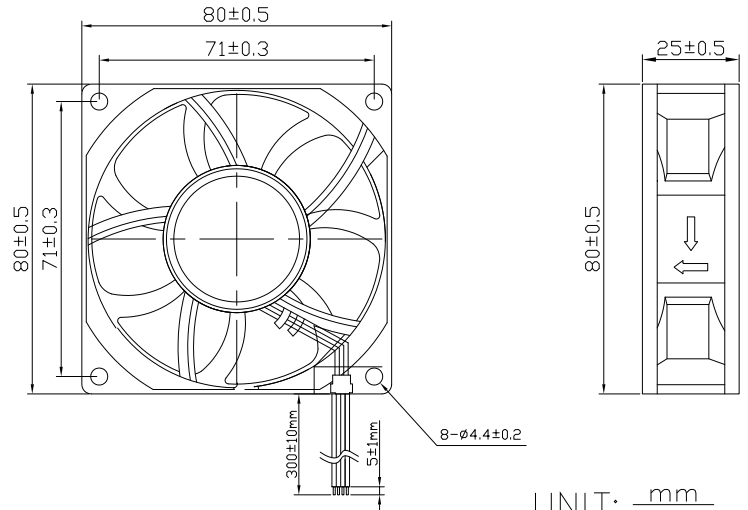
轴承结构: 双滚珠、含油、液压、其他  
 Bearing: two ball、sleeve、HY、other  
 框外材质: 塑胶(等级:UL94V-0)  
 Frame:Plastic(Flammability:UL94V-0)  
 扇叶材质:塑胶:(等级:UL94V-0)  
 Impeller:Plastic:(Flammability:UL94V-0)  
 风扇单重:80g(Weight:80g)



## P@Q CURVE(AT RATEDVOLTAGE)



## DIMENSIONS DRAWING(unit:mm)



UNIT:  $\frac{\text{mm}}{\text{(INCH)}}$

## 编码规则 Code Rule

例子 Example DCH12038H12B-DCH1701  
 DCH12038H12X-AY

Model No. is DCH12038H12X; Extro P/N code is AY

X means bearing type, can be S(sleeve bearing), can be B(ball bearing), can be Y(HY bearing), can be SU(sleeve with UL), can be BU(ball with UL), can be YU(HY with UL)

Y means special function code, it will be used for a certain parts no. or client.

产品型号 DCH12038H12X;附加代码 AY. X是一个不确定值,它代表了不同的轴承类型,

S(含油轴承),B(滚珠轴承),Y(液压轴承),SU(含油轴承带UL),BU(滚珠轴承带UL),YU(液压轴承带UL)

Y是一个不确定的值,它代表不同特殊风机功能,由具体客户或者料号来确定

Model	P/N Code	Rated Voltage	Operating Voltage Range	Rated Current	Rated Input Power	Speed	Maximum Air Flow		Maximum Air Pressure		Noise
型号	P/N 附加码	额定电压	工作电压范围	额定电流	额定输入功率	转速	最大风量		最大风压		噪音
PART.NO.	GY	VDC	VDC	Amp	Watt	R.P.M	M³/min	CFM	mmH2O	InH2O	dB-A
DA8025HH12X		12	7~13.5	0.32	3.84	4500	1.52	53.9	5.1	0.2	48.7
DA8025VH12X		12	7~13.5	0.46	5.52	5000	1.74	61.4	6.2	0.24	51.3
DA8025HV12X		12	7~13.5	0.55	6.6	5500	1.93	68	7.5	0.3	53.4
DA8025HH24X		24	18-26.5	0.16	3.84	4500	1.52	53.9	5.1	0.2	48.7
DA8025VH24X		24	18-26.5	0.23	5.52	5000	1.74	61.4	6.2	0.24	51.3
DA8025HV24X	24	18-26.5	0.275	6.6	5500	1.93	68	7.5	0.3	53.4	



TKFAN®

UL US CE RoHS

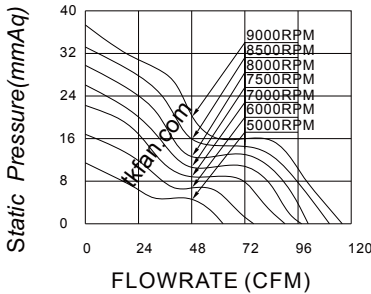
# DC Brushless FAN 80x80x32mm-A Type

版次Version 2017-4-12

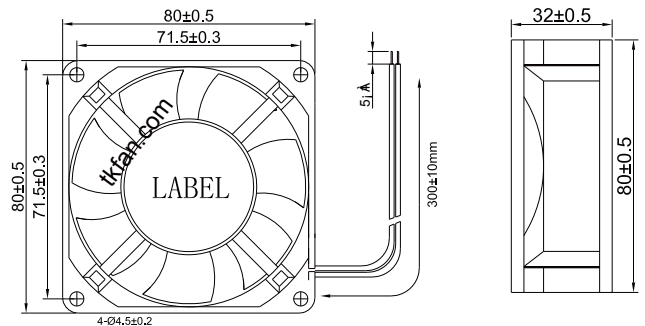
轴承结构：双滚珠、含油  
 Bearing: two ball、sleeve  
 框外材质: 塑胶(等级:UL94V-0)  
 Frame:Plastic(Flammability:UL94V-0)  
 扇叶材质:塑胶:(等级:UL94V-0)  
 Impeller:Plastic:(Flammability:UL94V-0)  
 风扇单重:180g(Weight:180g)



## P@Q CURVE(AT RATEDVOLTAGE)



## DIMENSIONS DRAWING(unit:mm)



## 编码规则 Code Rule

例子 Example DCH12038H12B-A1701  
 DCH12038H12X-AY

Model No. is DCH12038H12X; Extro P/N code is AY  
 X means bearing type, can be S(sleeve bearing), can be B(ball bearing), can be Y(HY bearing), can be SU(sleeve with UL), can be BU(ball with UL), can be YU(HY with UL)  
 Y means special function code, it will be used for a certain parts no. or client.  
 产品型号 DCH12038H12X;附加代码 AY. X是一个不确定值,它代表了不同的轴承类型,  
 S(含油轴承),B(滚珠轴承),Y(液压轴承),SU(含油轴承带UL),BU(滚珠轴承带UL),YU(液压轴承带UL)  
 Y是一个不确定的值,它代表不同特殊风机功能,由具体客户或者料号来确定

Model	P/N Code	Rated Voltage	Operating Voltage Range	Rated Current	Rated Input Power	Speed	Maximum Air Flow		Maximum Air Pressure		Noise
型号	P/N 附加码	额定电压	工作电压范围	额定电流	额定输入功率	转速	最大风量		最大风压		噪音
PART.NO.	AY	VDC	VDC	Amp	Watt	R.P.M	M³/min	CFM	mmH2O	InH2O	dB-A
DA8032L12X		12	7~13.5	0.4	4.8	4000	1.413	49.89	8.51	0.335	46.8
DA8032M12X		12	7~13.5	0.68	8.16	5000	1.736	61.29	11.63	0.458	50.3
DA8032H12X		12	7~13.5	0.96	11.5	6000	2.138	75.50	16.78	0.661	52.0
DA8032HH12X		12	7~13.5	1.24	14.9	7000	2.518	88.93	22.39	0.881	54.2
DA8032VH12X		12	7~13.5	1.51	18.2	8000	2.856	100.80	29.53	1.163	61.2
DA8032HV12X		12	7~13.5	1.84	22.1	8500	3.034	107.13	32.90	1.295	63.5
DA8032L24X		24	18~26.5	0.2	4.8	4000	1.413	49.89	8.51	0.335	46.8
DA8032M24X		24	18~26.5	0.34	8.16	5000	1.736	61.29	11.63	0.458	50.3
DA8032H24X		24	18~26.5	0.48	11.5	6000	2.138	75.50	16.78	0.661	52.0
DA8032HH24X		24	18~26.5	0.62	14.9	7000	2.518	88.93	22.39	0.881	54.2
DA8032VH24X		24	18~26.5	0.76	18.2	8000	2.856	100.80	29.53	1.163	61.2
DA8032HV24X		24	18~26.5	0.92	22.1	8500	3.034	107.13	32.90	1.295	63.5
DA8032L48X		48	36~54	0.1	4.8	4000	1.413	49.89	8.51	0.335	46.8
DA8032M48X		48	36~54	0.17	8.16	5000	1.736	61.29	11.63	0.458	50.3
DA8032H48X		48	36~54	0.24	11.5	6000	2.138	75.50	16.78	0.661	52.0
DA8032HH48X		48	36~54	0.31	14.9	7000	2.518	88.93	22.39	0.881	54.2
DA8032VH48X		48	36~54	0.38	18.2	8000	2.856	100.80	29.53	1.163	61.2
DA8032HV48X		48	36~54	0.46	22.1	8500	3.034	107.13	32.90	1.295	63.5



TKFAN®

UL US CE RoHS

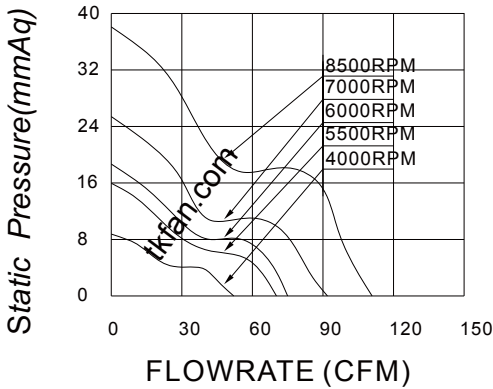
# DC Brushless FAN 80x80x38mm-A Type

版次Version 2017-4-12

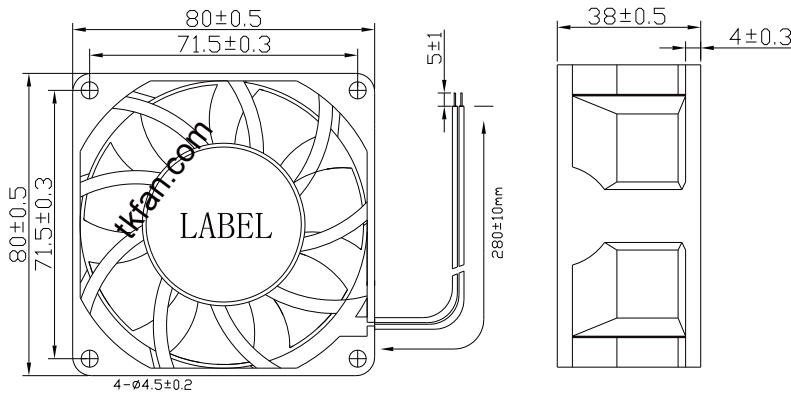
轴承结构：双滚珠、含油  
 Bearing: two ball、sleeve  
 框外材质: 塑胶(等级:UL94V-0)  
 Frame:Plastic(Flammability:UL94V-0)  
 扇叶材质:塑胶:(等级:UL94V-0)  
 Impeller:Plastic:(Flammability:UL94V-0)  
 风扇单重:175g(Weight:175g)



## P@Q CURVE(AT RATEDVOLTAGE)



## DIMENSIONS DRAWING(unit:mm)



## 编码规则 Code Rule

例子 Example DCH12038H12B-A1701  
 DCH12038H12X-AY

Model No. is DCH12038H12X; Extro P/N code is AY

X means bearing type, can be S(sleeve bearing), can be B(ball bearing), can be Y(HY bearing), can be SU(sleeve with UL), can be BU(ball with UL), can be YU(HY with UL)

Y means special function code, it will be used for a certain parts no. or client.

产品型号 DCH12038H12X;附加代码 AY. X是一个不确定值,它代表了不同的轴承类型,

S(含油轴承),B(滚珠轴承),Y(液压轴承),SU(含油轴承带UL),BU(滚珠轴承带UL),YU(液压轴承带UL)

Y是一个不确定的值,它代表不同特殊风机功能,由具体客户或者料号来确定

Model	P/N Code	Rated Voltage	Operating Voltage Range	Rated Current	Rated Input Power	Speed	Maximum Air Flow		Maximum Air Pressure		Noise
型号	P/N 附加码	额定电压	工作电压范围	额定电流	额定输入功率	转速	最大风量	最大风压	最大风压	噪音	
PART.NO.		VDC	VDC	Amp	Watt	R.P.M	M³/min	CFM	mmH2O	InH2O	dB-A
DA8038L12X	AY	12	7~13.5	0.5	6	4000	1.413	49.89	8.51	0.335	46.8
DA8038M12X		12	7~13.5	0.9	10.8	5500	1.988	70.21	15.83	0.623	53.2
DA8038H12X		12	7~13.5	1.2	14.4	6000	2.123	74.98	18.78	0.739	58.9
DA8038HH12X		12	7~13.5	1.6	19.2	7000	2.592	91.51	25.52	1.005	60.5
DA8038VH12X		12	7~13.5	2.1	25.2	8500	3.089	109.06	37.26	1.467	66.6
DAH8038L24X		24	18~26.5	0.25	6	4000	1.413	49.89	8.51	0.335	46.8
DAH8038M24X		24	18~26.5	0.45	10.8	5500	1.988	70.21	15.83	0.623	53.2
DAH8038H24X		24	18~26.5	0.6	14.4	6000	2.123	74.98	18.78	0.739	58.9
DAH8038HH24X		24	18~26.5	0.8	19.2	7000	2.592	91.51	25.52	1.005	60.5
DAH8038VH24X		24	18~26.5	1.05	25.2	8500	3.089	109.06	37.26	1.467	66.6
DA8038L48X		48	36~54	0.13	6	4000	1.413	49.89	8.51	0.335	46.8
DA8038M48X		48	36~54	0.23	10.8	5500	1.988	70.21	15.83	0.623	53.2
DA8038H48X		48	36~54	2.36	14.4	6000	2.123	74.98	18.78	0.739	58.9
DA8038HH48X		48	36~54	0.4	19.2	7000	2.592	91.51	25.52	1.005	60.5
DA8038VH48X		48	36~54	0.53	25.2	8500	3.089	109.06	37.26	1.467	66.6



TKFAN®

UL US CE RoHS

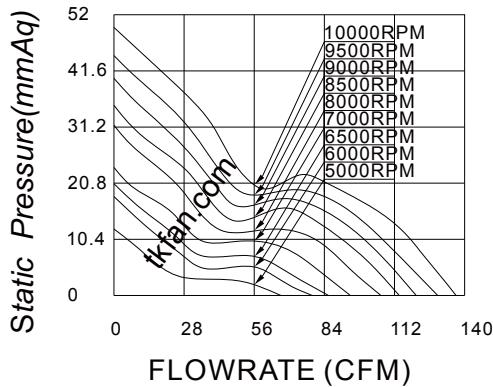
# DC Brushless FAN 80x80x38mm-B Type

版次Version 2017-4-12

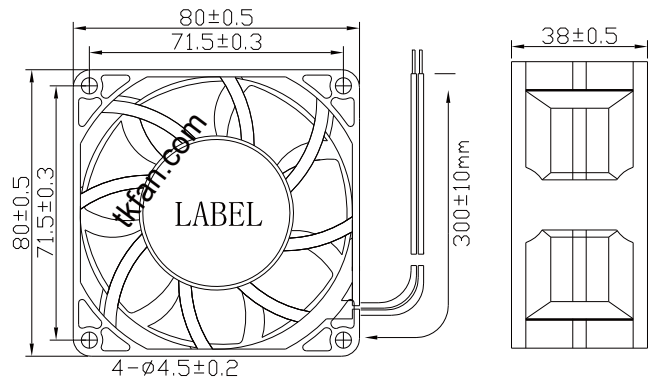
轴承结构：双滚珠、含油  
 Bearing: two ball、sleeve  
 框外材质: 塑胶(等级:UL94V-0)  
 Frame:Plastic(Flammability:UL94V-0)  
 扇叶材质:塑胶:(等级:UL94V-0)  
 Impeller:Plastic:(Flammability:UL94V-0)  
 风扇单重:178g(Weight:178g)



## P@Q CURVE(AT RATEDVOLTAGE)



## DIMENSIONS DRAWING(unit:mm)



## 编码规则 Code Rule

例子 Example DCH12038H12B-A1701  
 DCH12038H12X-AY

Model No. is DCH12038H12X; Extro P/N code is AY

X means bearing type, can be S(sleeve bearing), can be B(ball bearing), can be Y(HY bearing), can be SU(sleeve with UL), can be BU(ball with UL), can be YU(HY with UL)

Y means special function code, it will be used for a certain parts no. or client.

产品型号 DCH12038H12X;附加代码 AY. X是一个不确定值,它代表了不同的轴承类型,

S(含油轴承),B(滚珠轴承),Y(液压轴承),SU(含油轴承带UL),BU(滚珠轴承带UL),YU(液压轴承带UL)

Y是一个不确定的值,它代表不同特殊风机功能,由具体客户或者料号来确定

Model	P/N Code	Rated Voltage	Operating Voltage Range	Rated Current	Rated Input Power	Speed	Maximum Air Flow		Maximum Air Pressure		Noise
型号	P/N 附加码	额定电压	工作电压范围	额定电流	额定输入功率	转速	最大风量		最大风压		噪音
PART.NO.	BY	VDC	VDC	Amp	Watt	R.P.M	M³/min	CFM	mmH2O	InH2O	dB-A
DA8038M12X		12	7~13.5	0.36	4.32	5000	1.882	66.46	12.65	0.498	46.6
DA8038H12X		12	7~13.5	0.68	8.16	6000	2.240	79.11	18.22	0.717	51.4
DA8038LH12X		12	7~13.5	1.0	12	6500	2.416	85.32	20.49	0.807	54.0
DA8038HH12X		12	7~13.5	1.32	15.8	7000	2.643	93.31	24.53	0.966	57.1
DA8038MH12X		12	7~13.5	1.64	19.7	8000	2.990	105.57	32.03	1.261	60.2
DAH8038VH12X		12	7~13.5	2.04	24.5	8500	3.209	113.31	36.43	1.434	61.9
DAH8038LVH12X		12	7~13.5	2.36	28.3	9000	3.410	120.41	40.34	1.588	63.9
DAH8038MVH12X		12	7~13.5	2.68	32.2	9500	3.625	128.01	45.21	1.780	64.7
DAH8038VVH12X		12	7~13.5	3	36	10000	3.794	133.95	50.02	1.969	66.6
DA8038M24X		24	18~26.5	0.18	4.32	5000	1.882	66.46	12.65	0.498	46.6
DA8038H24X		24	18~26.5	0.34	8.16	6000	2.240	79.11	18.22	0.717	51.4
DA8038LH24X		24	18~26.5	0.5	12	6500	2.416	85.32	20.49	0.807	54.0
DA8038HH24X		24	18~26.5	0.66	15.8	7000	2.643	93.31	24.53	0.966	57.1
DA8038MH24X		24	18~26.5	0.82	19.7	8000	2.990	105.57	32.03	1.261	60.2
DAH8038VH24X		24	18~26.5	1.02	24.5	8500	3.209	113.31	36.43	1.434	61.9

DAH8038LVH24X	BY	24	18~26.5	1.18	28.3	9000	3.410	120.41	40.34	1.588	63.9
DAH8038MVH24X		24	18~26.5	1.34	32.2	9500	3.625	128.01	45.21	1.780	64.7
DAH8038VVH24X		24	18~26.5	1.5	36	10000	3.794	133.95	50.02	1.969	66.6
DA8038M48X		48	36~54	0.09	4.32	5000	1.882	66.46	12.65	0.498	46.6
DA8038H48X		48	36~54	0.17	8.16	6000	2.240	79.11	18.22	0.717	51.4
DA8038LH48X		48	36~54	0.25	12	6500	2.416	85.32	20.49	0.807	54.0
DA8038HH48X		48	36~54	0.33	15.8	7000	2.643	93.31	24.53	0.966	57.1
DA8038MH48X		48	36~54	0.41	19.7	8000	2.990	105.57	32.03	1.261	60.2
DAH8038VH48X		48	36~54	0.51	24.5	8500	3.209	113.31	36.43	1.434	61.9
DAH8038LVH48X		48	36~54	0.59	28.3	9000	3.410	120.41	40.34	1.588	63.9
DAH8038MVH48X		48	36~54	0.67	32.2	9500	3.625	128.01	45.21	1.780	64.7
DAH8038VVH48X		48	36~54	0.75	36	10000	3.794	133.95	50.02	1.969	66.6



TKFAN®

UL US CE RoHS

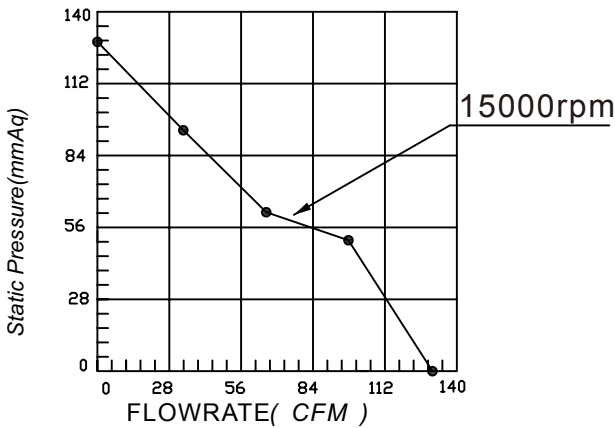
# DC Brushless FAN 80x80x38mm-C Type

版次 Version 2022-3-9

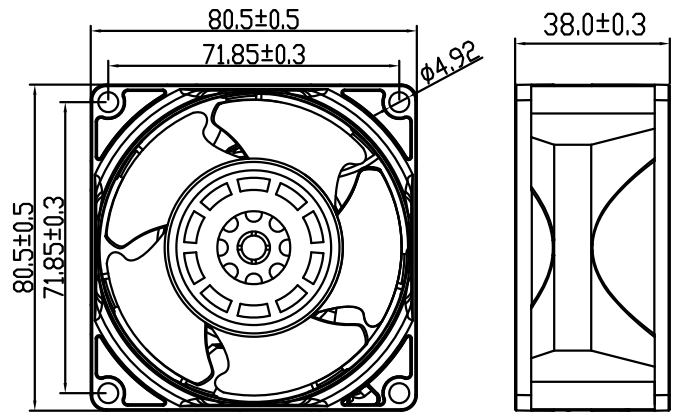
轴承结构：双滚珠  
 Bearing: Two ball  
 框外材质: 塑料(等级:UL94V-0)  
 Frame:Plastic(Flammability:UL94V-0)  
 扇叶材质:塑胶:(等级:UL94V-0)  
 Impeller:Plastic:(Flammability:UL94V-0)  
 风扇单重:223g(Weight:223g)



## P@Q CURVE(AT RATEDVOLTAGE)



## DIMENSIONS DRAWING(unit:mm)



UNIT:  $\frac{mm}{(INCH)}$

## 编码规则 Code Rule

例子 Example DCH12038H12B-DAH1701  
 DCH12038H12X-AY

Model No. is DCH12038H12X; Extro P/N code is AY  
 X means bearing type, can be S(sleeve bearing), can be B(ball bearing), can be Y(HY bearing), can be SU(sleeve with UL), can be BU(ball with UL), can be YU(HY with UL)  
 Y means special function code, it will be used for a certain parts no. or client.  
 产品型号 DCH12038H12X;附加代码 AY. X是一个不确定值,它代表了不同的轴承类型,  
 S(含油轴承),B(滚珠轴承),Y(液压轴承),SU(含油轴承带UL),BU(滚珠轴承带UL),YU(液压轴承带UL)  
 Y是一个不确定的值,它代表不同特殊风机功能,由具体客户或者料号来确定

Model	P/N Code	Rated Voltage	Operating Voltage Range	Rated Current	Rated Input Power	Speed	Maximum Air Flow		Maximum Air Pressure		Noise
型号	P/N 附加码	额定电压	工作电压范围	额定电流	额定输入功率	转速	最大风量		最大风压		噪音
PART.NO.	CY	VDC	VDC	Amp	Watt	R.P.M	M³/min	CFM	mmH2O	InH2O	dB-A
DA8038HV12X		12	7~13.5	3.6	43.2	15000	3.66	129.22	127.00	5.00	78.7
DA8038HV24X		24	18~26.5	1.8	43.2	15000	3.66	129.22	127.00	5.00	78.7
DA8038HV48X		48	36~54	0.9	43.2	15000	3.66	129.22	127.00	5.00	78.7



TKFAN®

C<sub>UL</sub> US CE RoHS

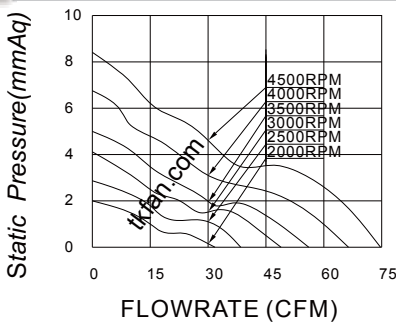
# DC Brushless FAN 92x92x25mm-A Type

版本Version 2017-4-12

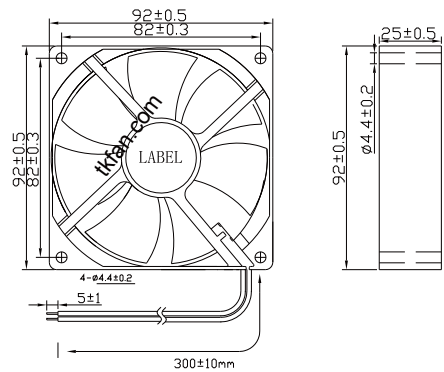


轴承结构：双滚珠、含油、液压、其他  
 Bearing: two ball、sleeve、HY、other  
 框外材质: 塑胶(等级:UL94V-0)  
 Frame:Plastic(Flammability:UL94V-0)  
 扇叶材质:塑胶:(等级:UL94V-0)  
 Impeller:Plastic:(Flammability:UL94V-0)  
 风扇单重:102g(Weight:102g)

## P@Q CURVE(AT RATEDVOLTAGE)



## DIMENSIONS DRAWING(unit:mm)



## 编码规则 Code Rule

例子 Example DCH12038H12B-DCH1701  
 DCH12038H12X-AY

Model No. is DCH12038H12X; Extro P/N code is AY

X means bearing type, can be S(sleeve bearing), can be B(ball bearing), can be Y(HY bearing), can be SU(sleeve with UL), can be BU(ball with UL), can be YU(HY with UL)

Y means special function code, it will be used for a certain parts no. or client.

产品型号 DCH12038H12X;附加代码AY. X是一个不确定值,它代表了不同的轴承类型,

S(含油轴承),B(滚珠轴承),Y(液压轴承),SU(含油轴承带UL),BU(滚珠轴承带UL),YU(液压轴承带UL)

Y是一个不确定的值,它代表不同特殊风机功能,由具体客户或者料号来确定

Model	P/N Code	Rated Voltage	Operating Voltage Range	Rated Current	Rated Input Power	Speed	Maximum Air Flow		Maximum Air Pressure		Noise
型号	P/N 附加码	额定电压	工作电压范围	额定电流	额定输入功率	转速	最大风量		最大风压		噪音
PART.NO.		VDC	VDC	Amp	Watt	R.P.M	M³/min	CFM	mmH2O	InH2O	dB-A
DA9225L12X	AY	12	7~13.5	0.12	1.44	2000	0.905	31.9	2.01	0.079	27.5
DA9225M12X		12	7~13.5	0.16	1.92	2500	1.086	38.3	2.92	0.115	33.7
DA9225H12X		12	7~13.5	0.2	2.4	3000	1.389	49.0	4.11	0.162	39.1
DA9225HH12X		12	7~13.5	0.24	2.88	3500	1.554	54.8	4.99	0.196	42.4
DA9225HV12X		12	7~13.5	0.32	3.84	4000	1.875	66.2	6.78	0.267	46.4
DA9225VH12X		12	7~13.5	0.44	5.28	4500	2.094	73.9	8.32	0.328	50.1
DA9225L24X		24	18~26.5	0.06	1.44	2000	0.905	31.9	2.01	0.079	27.5
DA9225M24X		24	18~26.5	0.08	1.92	2500	1.086	38.3	2.92	0.115	33.7
DA9225H24X		24	18~26.5	0.1	2.4	3000	1.389	49.0	4.11	0.162	39.1
DA9225HH24X		24	18~26.5	0.12	2.88	3500	1.554	54.8	4.99	0.196	42.4
DA9225HV24X		24	18~26.5	0.16	3.84	4000	1.875	66.2	6.78	0.267	46.4
DA9225VH24X		24	18~26.5	0.22	5.28	4500	2.094	73.9	8.32	0.328	50.1
DA9225L48X		48	36~54	0.03	1.44	2000	0.905	31.9	2.01	0.079	27.5
DA9225M48X		48	36~54	0.04	1.92	2500	1.086	38.3	2.92	0.115	33.7
DA9225H48X		48	36~54	0.05	2.4	3000	1.389	49.0	4.11	0.162	39.1
DA9225HH48X		48	36~54	0.06	2.88	3500	1.554	54.8	4.99	0.196	42.4
DA9225HV48X		48	36~54	0.08	3.84	4000	1.875	66.2	6.78	0.267	46.4
DA9225VH48X		48	36~54	0.11	5.28	4500	2.094	73.9	8.32	0.328	50.1



TKFAN®

UL US CE RoHS

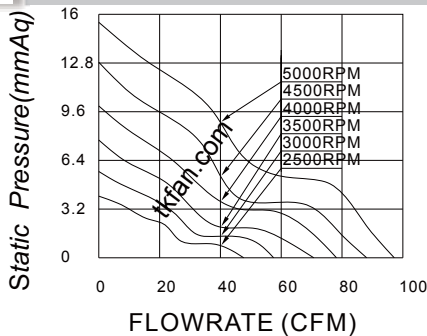
# DC Brushless FAN 92x92x25mm-B Type

版次Version 2017-4-12

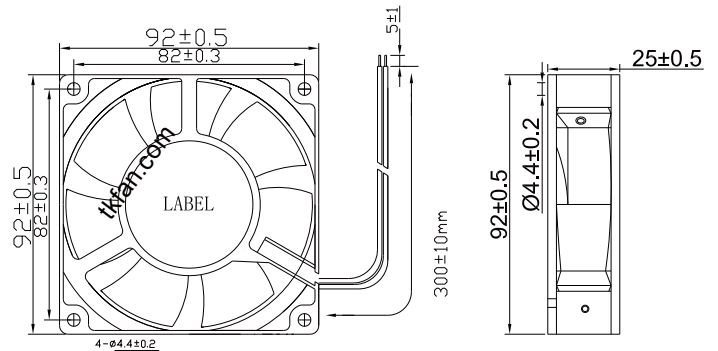
轴承结构：双滚珠、含油、液压、其他  
 Bearing: two ball、sleeve、HY、other  
 框外材质: 铝 (等级:UL94V-0)  
 Frame:Aluminum (Flammability:UL94V-0)  
 扇叶材质:塑胶:(等级:UL94V-0)  
 Impeller:Plastic:(Flammability:UL94V-0)  
 风扇单重:158g(Weight:158g)



## P@Q CURVE(AT RATEDVOLTAGE)



## DIMENSIONS DRAWING(unit:mm)



## 编码规则 Code Rule

例子 Example DCH12038H12B-DCH1701  
 DCH12038H12X-AY

Model No. is DCH12038H12X; Extro P/N code is AY

X means bearing type, can be S(sleeve bearing), can be B(ball bearing), can be Y(HY bearing), can be SU(sleeve with UL), can be BU(ball with UL), can be YU(HY with UL)

Y means special function code, it will be used for a certain parts no. or client.

产品型号 DCH12038H12X;附加代码 AY. X是一个不确定值,它代表了不同的轴承类型,

S(含油轴承),B(滚珠轴承),Y(液压轴承),SU(含油轴承带UL),BU(滚珠轴承带UL),YU(液压轴承带UL)

Y是一个不确定的值,它代表不同特殊风机功能,由具体客户或者料号来确定

Model	P/N Code	Rated Voltage	Operating Voltage Range	Rated Current	Rated Input Power	Speed	Maximum Air Flow		Maximum Air Pressure		Noise
型号	P/N 附加码	额定电压	工作电压范围	额定电流	额定输入功率	转速	最大风量		最大风压		噪音
PART.NO.		VDC	VDC	Amp	Watt	R.P.M	M³/min	CFM	mmH2O	InH2O	dB-A
DA9225L12X	BY	12	7~13.5	0.3	3.6	2500	1.326	46.8	3.98	0.157	35.5
DA9225M12X		12	7~13.5	0.45	5.4	3000	1.605	56.6	5.71	0.225	41.1
DA9225H12X		12	7~13.5	0.51	6.12	3500	1.959	69.1	7.81	0.307	45.5
DA9225HH12X		12	7~13.5	0.64	7.68	4000	2.189	77.3	10.08	0.397	48.3
DA9225HV12X		12	7~13.5	0.81	9.72	4500	2.482	87.6	12.87	0.507	53.7
DA9225VH12X		12	7~13.5	1.1	13.2	5000	2.745	96.9	15.57	0.613	55.0
DA9225L24X		24	18~26.5	0.15	3.6	2500	1.326	46.8	3.98	0.157	35.5
DA9225M24X		24	18~26.5	0.225	5.4	3000	1.605	56.6	5.71	0.225	41.1
DA9225H24X		24	18~26.5	0.255	6.12	3500	1.959	69.1	7.81	0.307	45.5
DA9225HH24X		24	18~26.5	0.32	7.68	4000	2.189	77.3	10.08	0.397	48.3
DA9225HV24X		24	18~26.5	0.4	9.72	4500	2.482	87.6	12.87	0.507	53.7
DA9225VH24X		24	18~26.5	0.55	13.2	5000	2.745	96.9	15.57	0.613	55.0
DA9225L48X		48	36~54	0.075	3.6	2500	1.326	46.8	3.98	0.157	35.5
DA9225M48X		48	36~54	0.11	5.4	3000	1.605	56.6	5.71	0.225	41.1
DA9225H48X		48	36~54	0.127	6.12	3500	1.959	69.1	7.81	0.307	45.5
DA9225HH48X		48	36~54	0.16	7.68	4000	2.189	77.3	10.08	0.397	48.3
DA9225HV48X		48	36~54	0.2	9.72	4500	2.482	87.6	12.87	0.507	53.7
DA9225VH48X		48	36~54	0.275	13.2	5000	2.745	96.9	15.57	0.613	55.0



TKFAN®

UL US CE RoHS

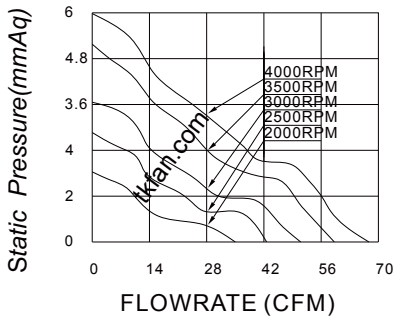
# DC Brushless FAN 92x92x25mm-C Type

版次Version 2017-4-12

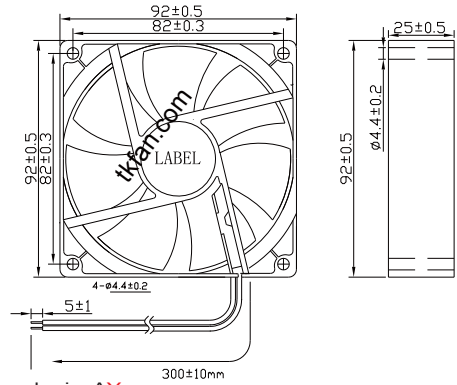
轴承结构：双滚珠、含油、液压、其他  
 Bearing: two ball、sleeve、HY、other  
 框外材质: 塑胶(等级:UL94V-0)  
 Frame:Plastic(Flammability:UL94V-0)  
 扇叶材质:塑胶:(等级:UL94V-0)  
 Impeller:Plastic:(Flammability:UL94V-0)  
 风扇单重:87g(Weight:87g)



## P@Q CURVE(AT RATEDVOLTAGE)



## DIMENSIONS DRAWING(unit:mm)



## 编码规则 Code Rule

例子 Example DCH12038H12B-DCH1701  
 DCH12038H12X-AY

Model No. is DCH12038H12X; Extro P/N code is AY

X means bearing type, can be S(sleeve bearing), can be B(ball bearing), can be Y(HY bearing), can be SU(sleeve with UL), can be BU(ball with UL), can be YU(HY with UL)

Y means special function code, it will be used for a certain parts no. or client.

产品型号 DCH12038H12X;附加代码AY. X是一个不确定值,它代表了不同的轴承类型,

S(含油轴承),B(滚珠轴承),Y(液压轴承),SU(含油轴承带UL),BU(滚珠轴承带UL),YU(液压轴承带UL)

Y是一个不确定的值,它代表不同特殊风机功能,由具体客户或者料号来确定

Model	P/N Code	Rated Voltage	Operating Voltage Range	Rated Current	Rated Input Power	Speed	Maximum Air Flow		Maximum Air Pressure		Noise
型号	P/N 附加码	额定电压	工作电压范围	额定电流	额定输入功率	转速	最大风量		最大风压		噪音
PART.NO.		VDC	VDC	Amp	Watt	R.P.M	M³/min	CFM	mmH2O	InH2O	dB-A
DA9225L12X	CY	12	7~13.5	0.12	1.44	2000	0.986	34.8	1.86	0.073	33.3
DA9225M12X		12	7~13.5	0.16	1.92	2500	1.213	42.8	2.74	0.108	35.1
DA9225H12X		12	7~13.5	0.2	2.4	3000	1.410	49.7	3.67	0.144	39.3
DA9225HH12X		12	7~13.5	0.24	2.88	3500	1.677	59.2	5.21	0.205	44.4
DA9225HV12X		12	7~13.5	0.32	3.84	4000	1.915	67.6	5.97	0.235	47.4
DA9225VH12X		12	7~13.5	0.44	5.28	4500	2.094	73.9	8.32	0.328	50.1
DA9225L24X		24	18~26.5	0.06	1.44	2000	0.986	34.8	1.86	0.073	33.3
DA9225M24X		24	18~26.5	0.08	1.92	2500	1.213	42.8	2.74	0.108	35.1
DA9225H24X		24	18~26.5	0.1	2.4	3000	1.410	49.7	3.67	0.144	39.3
DA9225HH24X		24	18~26.5	0.12	2.88	3500	1.677	59.2	5.21	0.205	44.4
DA9225HV24X		24	18~26.5	0.16	3.84	4000	1.915	67.6	5.97	0.235	47.4
DA9225VH24X		24	18~26.5	0.22	5.28	4500	2.094	73.9	8.32	0.328	50.1
DA9225L48X		48	36~54	0.03	1.44	2000	0.986	34.8	1.86	0.073	33.3
DA9225M48X		48	36~54	0.04	1.92	2500	1.213	42.8	2.74	0.108	35.1
DA9225H48X		48	36~54	0.05	2.4	3000	1.410	49.7	3.67	0.144	39.3
DA9225HH48X		48	36~54	0.06	2.88	3500	1.677	59.2	5.21	0.205	44.4
DA9225HV48X	48	36~54	0.08	3.84	4000	1.915	67.6	5.97	0.235	47.4	
DA9225VH48X	48	36~54	0.11	5.28	4500	2.094	73.9	8.32	0.328	50.1	



TKFAN®

UL US CE RoHS

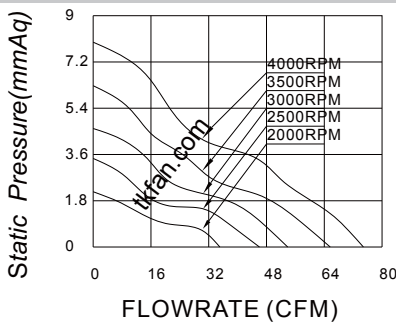
# DC Brushless FAN 92x92x25mm-D Type

版次Version 2017-5-22

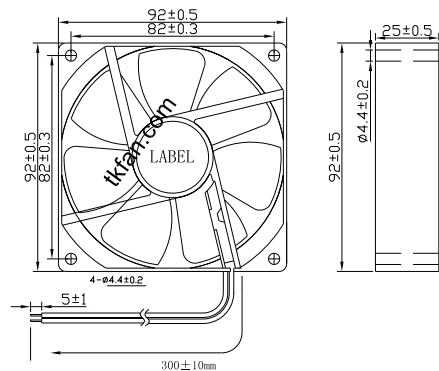
轴承结构：双滚珠、含油、液压、其他  
 Bearing: two ball、sleeve、HY、other  
 框外材质: 塑胶(等级:UL94V-0)  
 Frame:Plastic(Flammability:UL94V-0)  
 扇叶材质:塑胶:(等级:UL94V-0)  
 Impeller:Plastic:(Flammability:UL94V-0)  
 风扇单重:95g(Weight:95g)



## P@Q CURVE(AT RATEDVOLTAGE)



## DIMENSIONS DRAWING(unit:mm)



## 编码规则 Code Rule

例子 Example DCH12038H12B-DCH1701  
 DCH12038H12X-AY

Model No. is DCH12038H12X; Extro P/N code is AY  
 X means bearing type, can be S(sleeve bearing), can be B(ball bearing), can be Y(HY bearing), can be SU(sleeve with UL), can be BU(ball with UL), can be YU(HY with UL)  
 Y means special function code, it will be used for a certain parts no. or client.  
 产品型号 DCH12038H12X;附加代码AY. X是一个不确定值,它代表了不同的轴承类型,  
 S(含油轴承),B(滚珠轴承),Y(液压轴承),SU(含油轴承带UL),BU(滚珠轴承带UL),YU(液压轴承带UL)  
 Y是一个不确定的值,它代表不同特殊风机功能,由具体客户或者料号来确定

Model	P/N Code	Rated Voltage	Operating Voltage Range	Rated Current	Rated Input Power	Speed	Maximum Air Flow		Maximum Air Pressure		Noise
							M³/min	CFM	mmH2O	InH2O	
型号	P/N 附加码	额定电压	工作电压范围	额定电流	额定输入功率	转速	最大风量		最大风压		噪音
PART.NO.	DY	VDC	VDC	Amp	Watt	R.P.M	M³/min	CFM	mmH2O	InH2O	dB-A
DA9225L12X		12	7~13.5	0.12	1.44	2000	1.005	35.4	2.12	0.083	30.3
DA9225M12X		12	7~13.5	0.16	1.92	2500	1.283	45.2	3.37	0.133	35.4
DA9225H12X		12	7~13.5	0.2	2.4	3000	1.541	54.4	4.57	0.180	40.2
DA9225HH12X		12	7~13.5	0.24	2.88	3500	1.886	66.5	6.17	0.243	44.6
DA9225HV12X		12	7~13.5	0.32	3.84	4000	2.084	73.5	7.96	0.313	47.6
DA9225L24X		24	18~26.5	0.06	1.44	2000	1.005	35.4	2.12	0.083	30.3
DA9225M24X		24	18~26.5	0.08	1.92	2500	1.283	45.2	3.37	0.133	35.4
DA9225H24X		24	18~26.5	0.1	2.4	3000	1.541	54.4	4.57	0.180	40.2
DA9225HH24X		24	18~26.5	0.12	2.88	3500	1.886	66.5	6.17	0.243	44.6
DA9225HV24X		24	18~26.5	0.16	3.84	4000	2.084	73.5	7.96	0.313	47.6
DA9225L48X		48	36~54	0.03	1.44	2000	1.005	35.4	2.12	0.083	30.3
DA9225M48X		48	36~54	0.04	1.92	2500	1.283	45.2	3.37	0.133	35.4
DA9225H48X		48	36~54	0.05	2.4	3000	1.541	54.4	4.57	0.180	40.2
DA9225HH48X		48	36~54	0.06	2.88	3500	1.886	66.5	6.17	0.243	44.6
DA9225HV48X		48	36~54	0.08	3.84	4000	2.084	73.5	7.96	0.313	47.6



TKFAN®



RoHS NB

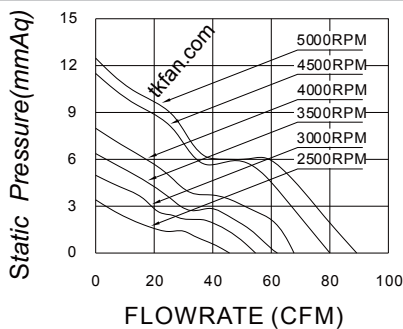
# DC Brushless FAN 92x92x25mm-E Type

版次Version 2018-7-6

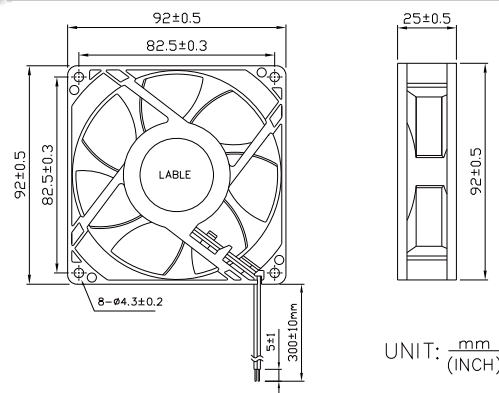
轴承结构：双滚珠、含油、液压、其他  
 Bearing: two ball、sleeve、HY、other  
 框外材质: 塑胶(等级:UL94V-0)  
 Frame:Plastic(Flammability:UL94V-0)  
 扇叶材质:塑胶:(等级:UL94V-0)  
 Impeller:Plastic:(Flammability:UL94V-0)  
 风扇单重:115g(Weight:115g)



## P@Q CURVE(AT RATEDVOLTAGE)



## DIMENSIONS DRAWING(unit:mm)



## 编码规则 Code Rule

例子 Example DCH12038H12B-DCH1701  
 DCH12038H12X-AY

Model No. is DCH12038H12X; Extro P/N code is AY

X means bearing type, can be S(sleeve bearing), can be B(ball bearing), can be Y(HY bearing), can be SU(sleeve with UL), can be BU(ball with UL), can be YU(HY with UL)

Y means special function code, it will be used for a certain parts no. or client.

产品型号 DCH12038H12X; 附加代码 AY. X是一个不确定值, 它代表了不同的轴承类型,

S(含油轴承), B(滚珠轴承), Y(液压轴承), SU(含油轴承带UL), BU(滚珠轴承带UL), YU(液压轴承带UL)

Y是一个不确定的值, 它代表不同特殊风机功能, 由具体客户或者料号来确定

Model	P/N Code	Rated Voltage	Operating Voltage Range	Rated Current	Rated Input Power	Speed	Maximum Air Flow		Maximum Air Pressure		Noise
型号	P/N 附加码	额定电压	工作电压范围	额定电流	额定输入功率	转速	最大风量		最大风压		噪音
PART.NO.	EY	VDC	VDC	Amp	Watt	R.P.M	M³/min	CFM	mmH2O	InH2O	dB-A
DA9225L12X		12	7.5~13.5	0.10	1.2	2500	1.295	45.7	3.41	0.134	29.7
DA9225M12X		12	7.5~13.5	0.15	1.8	3000	1.546	54.6	4.98	0.196	34.3
DA9225H12X		12	7.5~13.5	0.18	2.16	3500	1.758	62.0	6.37	0.251	39.3
DA9225HH12X		12	7.5~13.5	0.27	3.24	4000	1.919	67.7	7.99	0.315	41.9
DA9225HV12X		12	7.5~13.5	0.43	5.16	4500	2.266	80.0	11.5	0.453	45.0
DA9225VH12X		12	7.5~13.5	0.47	5.64	5000	2.525	89.1	12.48	0.491	48.0
DA9225L24X		24	18~26.5	0.05	1.2	2500	1.295	45.7	3.41	0.134	29.7
DA9225M24X		24	18~26.5	0.08	1.92	3000	1.546	54.6	4.98	0.196	34.3
DA9225H24X		24	18~26.5	0.09	2.16	3500	1.758	62.0	6.37	0.251	39.3
DA9225HH24X		24	18~26.5	0.14	3.36	4000	1.919	67.7	7.99	0.315	41.9
DA9225HV24X		24	18~26.5	0.22	5.28	4500	2.266	80.0	11.5	0.453	45.0
DA9225VH24X		24	18~26.5	0.24	5.76	5000	2.525	89.1	12.48	0.491	48.0
DA9225L48X		48	36~54	0.03	1.44	2500	1.295	45.7	3.41	0.134	29.7
DA9225M48X		48	36~54	0.04	1.92	3000	1.546	54.6	4.98	0.196	34.3
DA9225H48X		48	36~54	0.05	2.4	3500	1.758	62.0	6.37	0.251	39.3
DA9225HH48X		48	36~54	0.07	3.36	4000	1.919	67.7	7.99	0.315	41.9
DA9225HV48X		48	36~54	0.11	5.28	4500	2.266	80.0	11.5	0.453	45.0
DA9225VH48X	48	36~54	0.12	5.76	5000	2.525	89.1	12.48	0.491	48.0	



TKFAN®

UL US CE RoHS

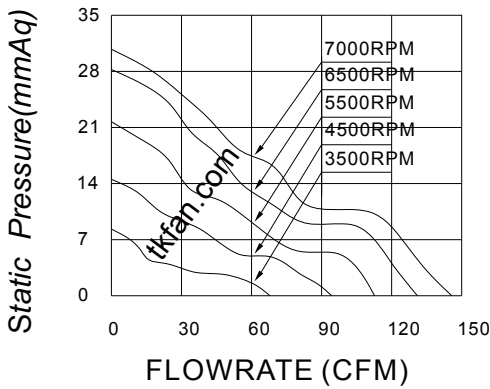
# DC Brushless FAN 92x92x38mm-A Type

版次Version 2017-4-12

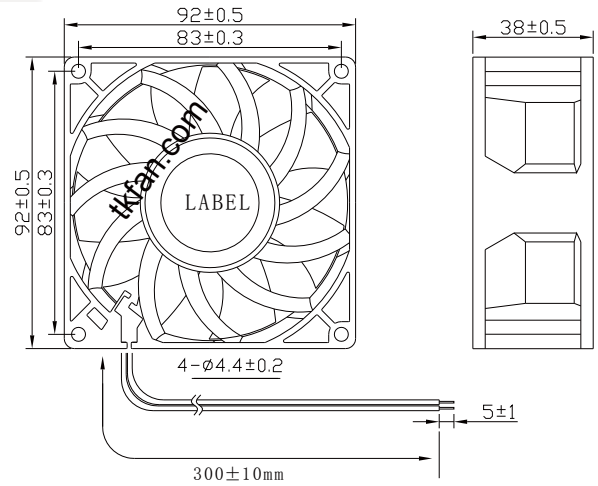
轴承结构：双滚珠、含油  
 Bearing: two ball、sleeve  
 框外材质: 塑胶(等级:UL94V-0)  
 Frame:Plastic(Flammability:UL94V-0)  
 扇叶材质:塑胶:(等级:UL94V-0)  
 Impeller:Plastic:(Flammability:UL94V-0)  
 风扇单重:175g(Weight:175g)



## P@Q CURVE(AT RATEDVOLTAGE)



## DIMENSIONS DRAWING(unit:mm)



## 编码规则 Code Rule

例子 Example DCH12038H12B-A1701  
 DCH12038H12X-AY

Model No. is DCH12038H12X; Extro P/N code is AY  
 X means bearing type, can be S(sleeve bearing), can be B(ball bearing), can be Y(HY bearing), can be SU(sleeve with UL), can be BU(ball with UL), can be YU(HY with UL)  
 Y means special function code, it will be used for a certain parts no. or client.  
 产品型号 DCH12038H12X;附加代码 AY. X是一个不确定值,它代表了不同的轴承类型,  
 S(含油轴承),B(滚珠轴承),Y(液压轴承),SU(含油轴承带UL),BU(滚珠轴承带UL),YU(液压轴承带UL)  
 Y是一个不确定的值,它代表不同特殊风机功能,由具体客户或者料号来确定

Model	P/N Code	Rated Voltage	Operating Voltage Range	Rated Current	Rated Input Power	Speed	Maximum Air Flow		Maximum Air Pressure		Noise
型号	P/N 附加码	额定电压	工作电压范围	额定电流	额定输入功率	转速	最大风量		最大风压		噪音
PART.NO.	AY	VDC	VDC	Amp	Watt	R.P.M	M³/min	CFM	mmH2O	InH2O	dB-A
DA9238L12X		12	7~13.5	0.5	6	3500	2.007	70.86	8.25	0.325	48.0
DA9238M12X		12	7~13.5	0.9	10.8	4500	2.665	94.09	14.26	0.561	55.1
DA9238H12X		12	7~13.5	1.2	14.4	5500	3.172	112.02	20.24	0.797	61.5
DA9238HH12X		12	7~13.5	1.6	19.2	6500	3.768	133.04	24.87	0.979	65.6
DA9238VH12X		12	7~13.5	2.1	25.2	7000	4.086	144.26	30.88	1.216	66.2
DAH9238L24X		24	18~26.5	0.25	6	3500	2.007	70.86	8.25	0.325	48.0
DAH9238M24X		24	18~26.5	0.45	10.8	4500	2.665	94.09	14.26	0.561	55.1
DAH9238H24X		24	18~26.5	0.6	14.4	5500	3.172	112.02	20.24	0.797	61.5
DAH9238HH24X		24	18~26.5	0.8	19.2	6500	3.768	133.04	24.87	0.979	65.6
DAH9238VH24X		24	18~26.5	1.05	25.2	7000	4.086	144.26	30.88	1.216	66.2
DA9238L48X		48	36~54	0.13	6	3500	2.007	70.86	8.25	0.325	48.0
DA9238M48X		48	36~54	0.23	10.8	4500	2.665	94.09	14.26	0.561	55.1
DA9238H48X		48	36~54	2.36	14.4	5500	3.172	112.02	20.24	0.797	61.5
DA9238HH48X		48	36~54	0.4	19.2	6500	3.768	133.04	24.87	0.979	65.6
DA9238VH48X		48	36~54	0.53	25.2	7000	4.086	144.26	30.88	1.216	66.2



TKFAN®

UL US CE RoHS

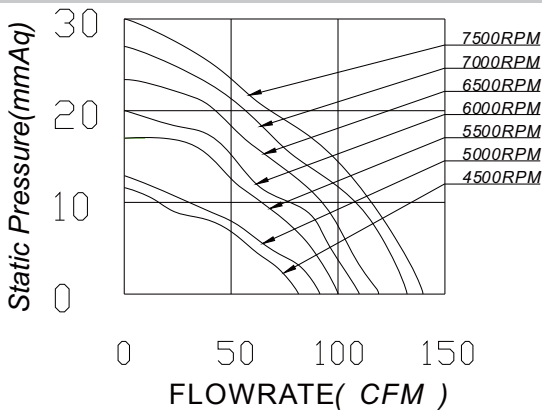
# DC Brushless FAN 92x92x38mm-D Type

版次Version 2019-10-17

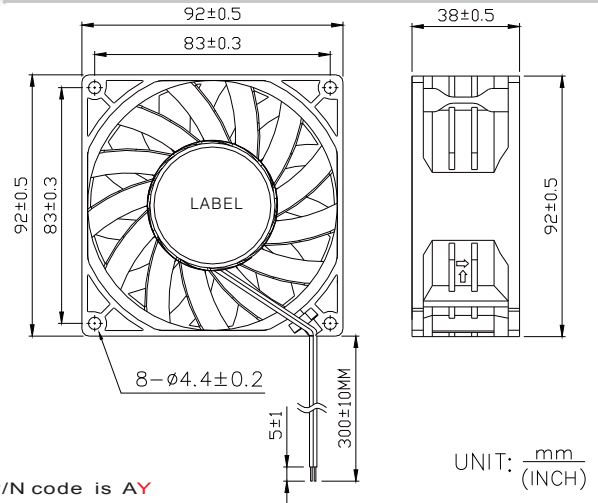
轴承结构：双滚珠、含油、液压、其他  
 Bearing: two ball、sleeve、HY、other  
 框外材质: 塑胶(等级:UL94V-0)  
 Frame:Plastic(Flammability:UL94V-0)  
 扇叶材质:塑胶:(等级:UL94V-0)  
 Impeller:Plastic:(Flammability:UL94V-0)  
 风扇单重:246g(Weight:246g)



## P@Q CURVE(AT RATEDVOLTAGE)



## DIMENSIONS DRAWING(unit:mm)



UNIT:  $\frac{mm}{(INCH)}$

## 编码规则 Code Rule

例子 Example DCH12038H12B-DAH1701  
 DCH12038H12X-AY

Model No. is DCH12038H12X; Extro P/N code is AY

X means bearing type, can be S(sleeve bearing), can be B(ball bearing), can be Y(HY bearing), can be SU(sleeve with UL), can be BU(ball with UL), can be YU(HY with UL)

Y means special function code, it will be used for a certain parts no. or client.

产品型号 DCH12038H12X;附加代码 AY. X是一个不确定值,它代表了不同的轴承类型,

S(含油轴承),B(滚珠轴承),Y(液压轴承),SU(含油轴承带UL),BU(滚珠轴承带UL),YU(液压轴承带UL)

Y是一个不确定的值,它代表不同特殊风机功能,由具体客户或者料号来确定

Model	P/N Code	Rated Voltage	Operating Voltage Range	Rated Current	Rated Input Power	Speed	Maximum Air Flow		Maximum Air Pressure		Noise
型号	P/N 附加码	额定电压	工作电压范围	额定电流	额定输入功率	转速	最大风量		最大风压		噪音
PART.NO.		VDC	VDC	Amp	Watt	R.P.M	M³/min	CFM	mmH2O	InH2O	dB-A
DA9238L12X	DY	12	7.5~13.5	1.0	12	4500	2.306	81.47	11.56	0.455	50.1
DA9238M12X		12	7.5~13.5	1.2	14.4	5000	2.590	91.53	14.01	0.552	53.9
DA9238ML12X		12	7.5~13.5	1.4	16.8	5500	2.842	100.41	17.04	0.671	55.5
DA9238H12X		12	7.5~13.5	1.6	19.2	6000	3.109	109.87	19.92	0.784	57.9
DA9238HH12X		12	7.5~13.5	1.8	21.6	6500	3.367	118.99	23.24	0.915	60.3
DA9238VH12X		12	7.5~13.5	2.0	24	7000	3.655	129.16	27.3	1.075	62.1
DA9238HV12X		12	7.5~13.5	2.2	26.4	7500	3.866	136.6	30.68	1.208	63.3
DAH9238L24X		24	18~26.5	0.5	12	4500	2.306	81.47	11.56	0.455	50.1
DAH9238M24X		24	18~26.5	0.6	14.4	5000	2.590	91.53	14.01	0.552	53.9
DA9238ML24X		24	18~26.5	0.7	16.8	5500	2.842	100.41	17.04	0.671	55.5
DAH9238H24X		24	18~26.5	0.8	19.2	6000	3.109	109.87	19.92	0.784	57.9
DAH9238HH24X		24	18~26.5	0.9	21.6	6500	3.367	118.99	23.24	0.915	60.3
DAH9238VH24X		24	18~26.5	1.0	24	7000	3.655	129.16	27.3	1.075	62.1
DA9238HV24X		24	18~26.5	1.1	26.4	7500	3.866	136.6	30.68	1.208	63.3
DA9238L48X		48	36~54	0.25	12	4500	2.306	81.47	11.56	0.455	50.1

Model	P/N Code	Rated Voltage	Operating Voltage Range	Rated Current	Rated Input Power	Speed	Maximum Air Flow		Maximum Air Pressure		Noise
型号	P/N 附加码	额定电压	工作电压范围	额定电流	额定输入功率	转速	最大风量		最大风压		噪音
PART.NO.	DY	VDC	VDC	Amp	Watt	R.P.M	M <sup>3</sup> /min	CFM	mmH2O	InH2O	dB-A
DA9238M48X		48	36~54	0.3	14.4	5000	2.590	91.53	14.01	0.552	53.9
DA9238ML48X		48	36~54	0.35	16.8	5500	2.842	100.41	17.04	0.671	55.5
DA9238H48X		48	36~54	0.4	19.2	6000	3.109	109.87	19.92	0.784	57.9
DA9238HH48X		48	36~54	0.45	21.6	6500	3.367	118.99	23.24	0.915	60.3
DA9238VH48X		48	36~54	0.5	24	7000	3.655	129.16	27.3	1.075	62.1
DA9238HV48X		48	36~54	0.55	26.4	7500	3.866	136.6	30.68	1.208	63.3



TKFAN®

UL US CE RoHS

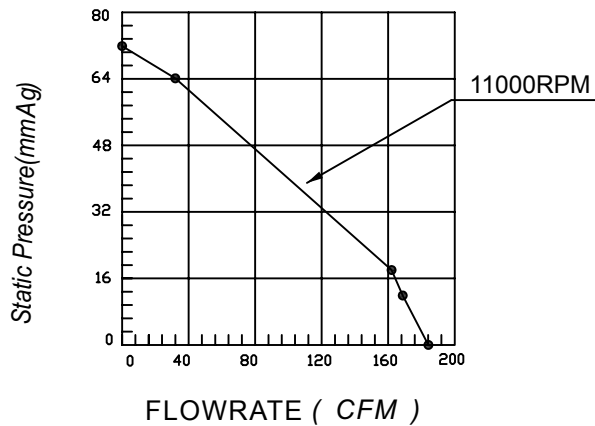
## DC Brushless FAN 92x92x38mm-FType

版次 Version 2022-7-21

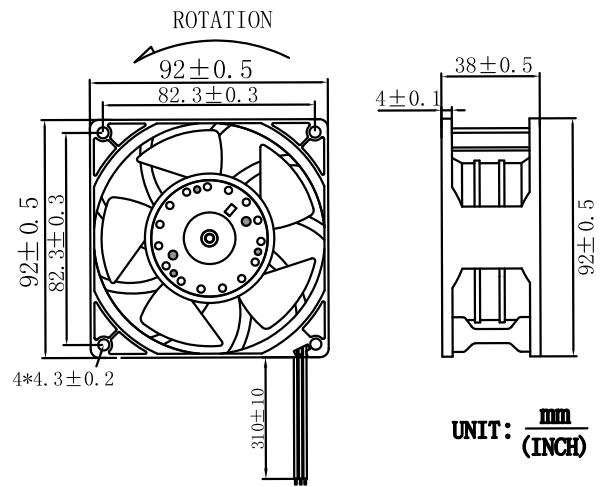
轴承结构：双滚珠、含油、液压、其他  
 Bearing: two ball, sleeve, HY, other  
 框外材质: 塑料(等级:UL94V-0)  
 Frame:Plastic(Flammability:UL94V-0)  
 扇叶材质:塑胶:(等级:UL94V-0)  
 Impeller:Plastic:(Flammability:UL94V-0)  
 风扇单重:238g(Weight:238g)



### P@Q CURVE(AT RATEDVOLTAGE)



### DIMENSIONS DRAWING(unit:mm)



### 编码规则 Code Rule

例子 Example DCH12038H12B-DAH1701  
 DCH12038H12X-AY

Model No. is DCH12038H12X; Extro P/N code is AY  
 X means bearing type, can be S(sleeve bearing), can be B(ball bearing), can be Y(HY bearing), can be SU(sleeve with UL), can be BU(ball with UL), can be YU(HY with UL)  
 Y means special function code, it will be used for a certain parts no. or client.  
 产品型号 DCH12038H12X;附加代码 AY. X是一个不确定值,它代表了不同的轴承类型,  
 S(含油轴承),B(滚珠轴承),Y(液压轴承),SU(含油轴承带UL),BU(滚珠轴承带UL),YU(液压轴承带UL)  
 Y是一个不确定的值,它代表不同特殊风机功能,由具体客户或者料号来确定

Model	P/N Code	Rated Voltage	Operating Voltage Range	Rated Current	Rated Input Power	Speed	Maximum Air Flow		Maximum Air Pressure		Noise
型号	P/N 附加码	额定电压	工作电压范围	额定电流	额定输入功率	转速	最大风量		最大风压		噪音
PART.NO.	FY	VDC	VDC	Amp	Watt	R.P.M	M³/min	CFM	mmH2O	InH2O	dB-A
DA9238VH12X		12	7.5~13.5	3.5	42	11000	5.22	184.2	71.9	2.832	70.5
DAH9238VH24X		24	18~26.5	1.75	42	11000	5.22	184.2	71.9	2.832	70.5
DA9238VH48X		48	36~54	0.875	42	11000	5.22	184.2	71.9	2.832	70.5



TKFAN®

UL US CE RoHS

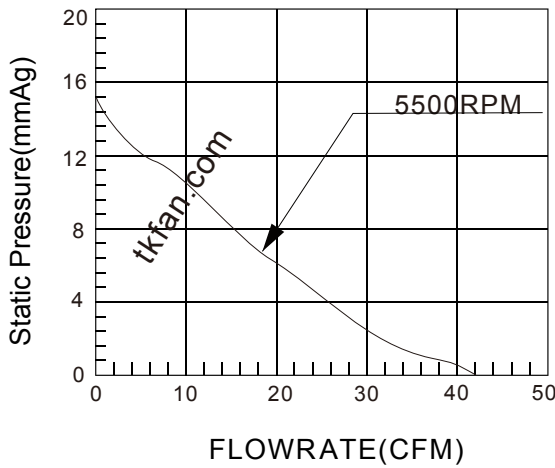
# DC Brushless FAN ø92x38mm-E Type

版本Version 2019-12-17

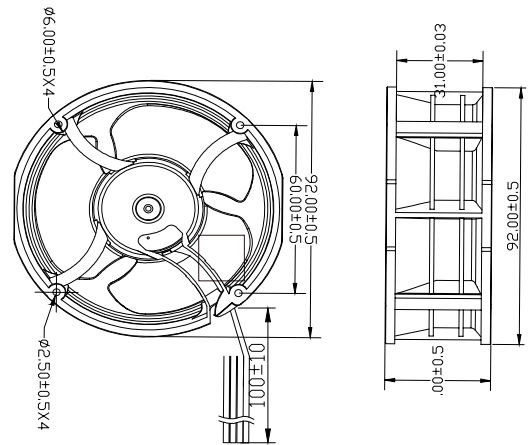
轴承结构：双滚珠  
 Bearing: two ball  
 框外材质: 塑胶(等级:UL94V-0)  
 Frame:Plastic(Flammability:UL94V-0)  
 扇叶材质:塑胶:(等级:UL94V-0)  
 Impeller:Plastic:(Flammability:UL94V-0)  
 风扇单重:131g(Weight:131g)



## P@Q CURVE(AT RATEDVOLTAGE)



## DIMENSIONS DRAWING(unit:mm)



## 编码规则 Code Rule

例子 Example DCH12038H12B-DAH1701  
 DCH12038H12X-AY

Model No. is DCH12038H12X; Extro P/N code is AY

X means bearing type, can be S(sleeve bearing), can be B(ball bearing), can be Y(HY bearing), can be SU(sleeve with UL), can be BU(ball with UL), can be YU(HY with UL)

Y means special function code, it will be used for a certain parts no. or client.

产品型号 DCH12038H12X;附加代码 AY. X是一个不确定值,它代表了不同的轴承类型,

S(含油轴承),B(滚珠轴承),Y(液压轴承),SU(含油轴承带UL),BU(滚珠轴承带UL),YU(液压轴承带UL)

Y是一个不确定的值,它代表不同特殊风机功能,由具体客户或者料号来确定

Model	P/N Code	Rated Voltage	Operating Voltage Range	Rated Current	Rated Input Power	Speed	Maximum Air Flow		Maximum Air Pressure		Noise
型号	P/N 附加码	额定电压	工作电压范围	额定电流	额定输入功率	转速	最大风量		最大风压		噪音
PART.NO.	EY	VDC	VDC	Amp	Watt	R.P.M	M³/min	CFM	mmH2O	InH2O	dB-A
DA9238H12X		12	7.5~13.5	0.17	2.0	5500	1.2	42.4	15	0.591	43
DAH9238H24X		24	18~26.5	0.09	2.2	5500	1.2	42.4	15	0.591	43



TKFAN®

C<sub>UL</sub> US CE RoHS

# DC Brushless FAN 120x120x25-A Type

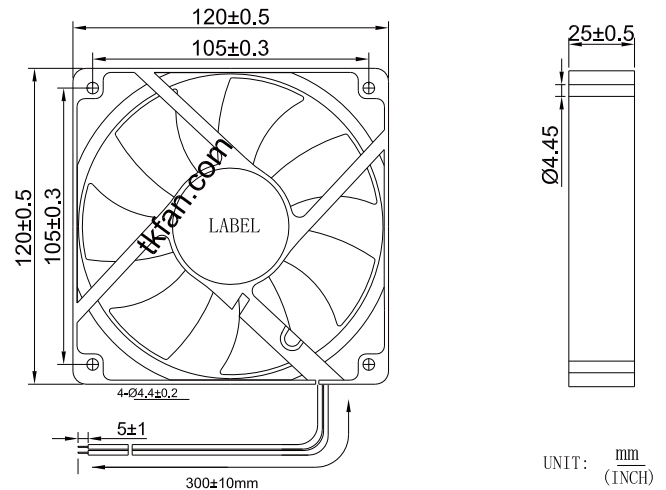
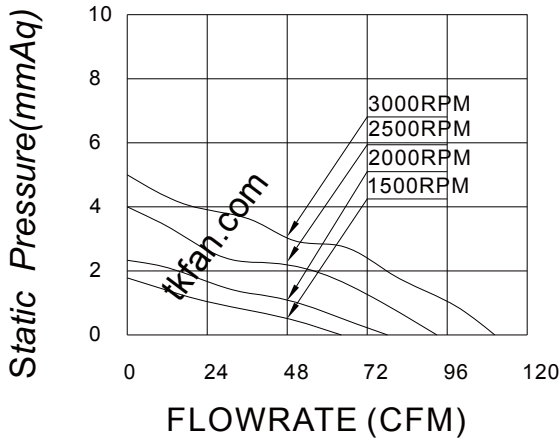
版次Version 2017-4-12

轴承结构：双滚珠、含油、液压、其他  
 Bearing: two ball、sleeve、HY、other  
 框外材质: 塑胶(等级:UL94V-0)  
 Frame:Plastic(Flammability:UL94V-0)  
 扇叶材质:塑胶:(等级:UL94V-0)  
 Impeller:Plastic:(Flammability:UL94V-0)  
 风扇单重:150g(Weight:150g)



## P@Q CURVE(AT RATEDVOLTAGE)

## DIMENSIONS DRAWING(unit:mm)



## 编码规则 Code Rule

例子 Example DCH12038H12B-A1701  
DCH12038H12X-AY

Model No. is DCH12038H12X; Extro P/N code is AY

X means bearing type, can be S(sleeve bearing), can be B(ball bearing), can be Y(HY bearing), can be SU(sleeve with UL), can be BU(ball with UL), can be YU(HY with UL)

Y means special function code, it will be used for a certain parts no. or client.

产品型号 DCH12038H12X; 附加代码 AY. X是一个不确定值, 它代表了不同的轴承类型,

S(含油轴承), B(滚珠轴承), Y(液压轴承), SU(含油轴承带UL), BU(滚珠轴承带UL), YU(液压轴承带UL)

Y是一个不确定的值, 它代表不同特殊风机功能, 由具体客户或者料号来确定

Model	P/N Code	Rated Voltage	Operating Voltage Range	Rated Current	Rated Input Power	Speed	Maximum Air Flow		Maximum Air Pressure		Noise
型号	P/N 附加码	额定电压	工作电压范围	额定电流	额定输入功率	转速	最大风量		最大风压		噪音
PART.NO.	AY	VDC	VDC	Amp	Watt	R.P.M	M <sup>3</sup> /min	CFM	mmH2O	InH2O	dB-A
DA12025L12X		12	8~13.5	0.18	2.16	1500	1.820	64.2	1.76	0.069	30.5
DA12025M12X		12	8~13.5	0.25	3.0	2000	2.171	76.6	2.43	0.096	36.5
DA12025H12X		12	8~13.5	0.31	3.72	2500	2.617	92.4	3.98	0.157	42.1
DA12025HH12X		12	8~13.5	0.45	5.4	3000	3.041	107.	5.04	0.198	47.4
DA12025L24X		24	18~26.5	0.09	2.16	1500	1.820	64.2	1.76	0.069	30.5
DA12025M24X		24	18~26.5	0.125	3.0	2000	2.171	76.6	2.43	0.096	36.5
DA12025H24X		24	18~26.5	0.155	3.72	2500	2.617	92.4	3.98	0.157	42.1
DA12025HH24X		24	18~26.5	0.225	5.4	3000	3.041	107.	5.04	0.198	47.4
DA12025L48X		48	36~54	0.045	2.16	1500	1.820	64.2	1.76	0.069	30.5
DA12025M48X		48	36~54	0.063	3.0	2000	2.171	76.6	2.43	0.096	36.5
DA12025H48X		48	36~54	0.078	3.72	2500	2.617	92.4	3.98	0.157	42.1
DA12025HH48X		48	36~54	0.112	5.4	3000	3.041	107.	5.04	0.198	47.4



TKFAN®

UL US CE RoHS

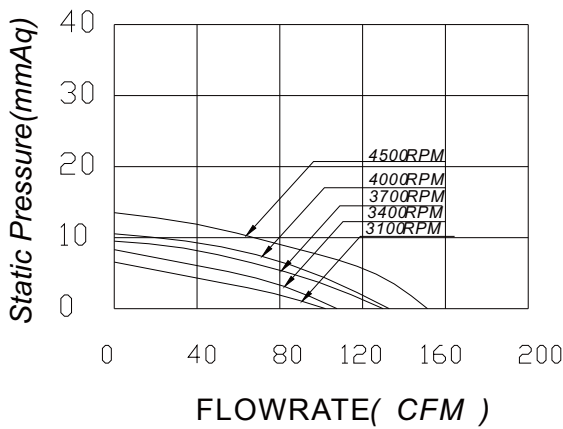
# DC Brushless FAN 120x120x25-C Type

版次Version 2019-3-25

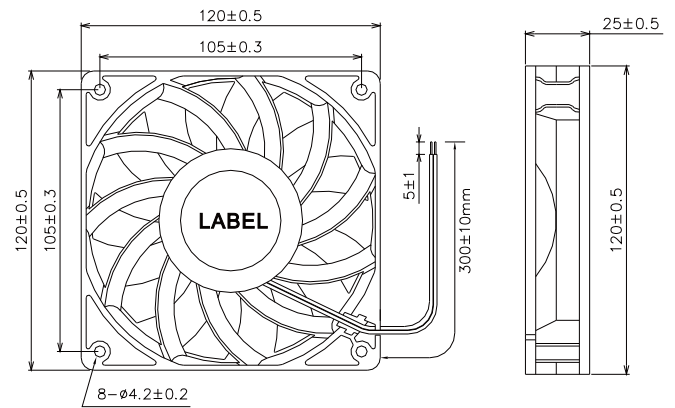
轴承结构：双滚珠、含油、液压、其他  
 Bearing: two ball、sleeve、HY、other  
 框外材质: 塑胶(等级:UL94V-0)  
 Frame:Plastic(Flammability:UL94V-0)  
 扇叶材质:塑胶:(等级:UL94V-0)  
 Impeller:Plastic:(Flammability:UL94V-0)  
 风扇单重:210g(Weight:210g)



## P@Q CURVE(AT RATEDVOLTAGE)



## DIMENSIONS DRAWING(unit:mm)



## 编码规则 Code Rule

例子 Example DCH12038H12B-A1701  
 DCH12038H12X-AY

Model No. is DCH12038H12X; Extro P/N code is AY  
 X means bearing type, can be S(sleeve bearing), can be B(ball bearing), can be Y(HY bearing), can be SU(sleeve with UL), can be BU(ball with UL), can be YU(HY with UL)  
 Y means special function code, it will be used for a certain parts no. or client.  
 产品型号 DCH12038H12X;附加代码 AY. X是一个不确定值,它代表了不同的轴承类型,  
 S(含油轴承),B(滚珠轴承),Y(液压轴承),SU(含油轴承带UL),BU(滚珠轴承带UL),YU(液压轴承带UL)  
 Y是一个不确定的值,它代表不同特殊风机功能,由具体客户或者料号来确定

Model	P/N Code	Rated Voltage	Operating Voltage Range	Rated Current	Rated Input Power	Speed	Maximum Air Flow		Maximum Air Pressure		Noise
型号	P/N 附加码	额定电压	工作电压范围	额定电流	额定输入功率	转速	最大风量		最大风压		噪音
PART.NO.	CY	VDC	VDC	Amp	Watt	R.P.M	M³/mi	CFM	mmH2O	InH2O	dB-A
DA12025L12X		12	8~13.5	0.54	6.48	3100	2.920	103.12	6.59	0.259	46.6
DA12025M12X		12	8~13.5	0.62	7.44	3400	3.033	107.13	8.12	0.319	49.6
DA12025H12X		12	8~13.5	0.71	8.52	3700	3.657	129.18	9.63	0.379	51.4
DA12025HH12X		12	8~13.5	0.84	10.08	4000	3.785	133.7	10.55	0.415	53.8
DA12025VH12X		12	8~13.5	1.2	14.40	4500	4.409	155.73	13.73	0.540	57.2
DA12025L24X		24	8~13.5	0.30	7.2	3100	2.920	103.12	6.59	0.259	46.6
DA12025M24X		24	18~26.5	0.31	7.44	3400	3.033	107.13	8.12	0.319	49.6
DA12025H24X		24	18~26.5	0.36	8.64	3700	3.657	129.18	9.63	0.379	51.4
DA12025HH24X		24	18~26.5	0.42	10.08	4000	3.785	133.7	10.55	0.415	53.8
DA12025VH24X		24	18~26.5	0.60	14.40	4500	4.409	155.73	13.73	0.540	57.2
DA12025L48X		48	36~54	0.14	6.72	3100	2.920	103.12	6.59	0.259	46.6
DA12025M48X		48	36~54	0.16	7.68	3400	3.033	107.13	8.12	0.319	49.6
DA12025H48X		48	36~54	0.18	8.64	3700	3.657	129.18	9.63	0.379	51.4
DA12025HH48X		48	36~54	0.21	10.08	4000	3.785	133.7	10.55	0.415	53.8
DA12025VH48X		48	36~54	0.30	14.40	4500	4.409	155.73	13.73	0.540	57.2



TKFAN®

C<sub>UL</sub> US CE RoHS

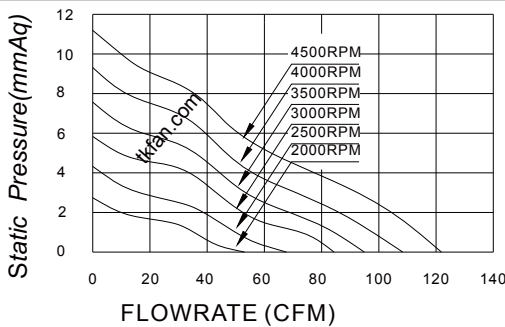
# DC Brushless FAN 120x120x25mm-D Type

版次Version 2019-7-31

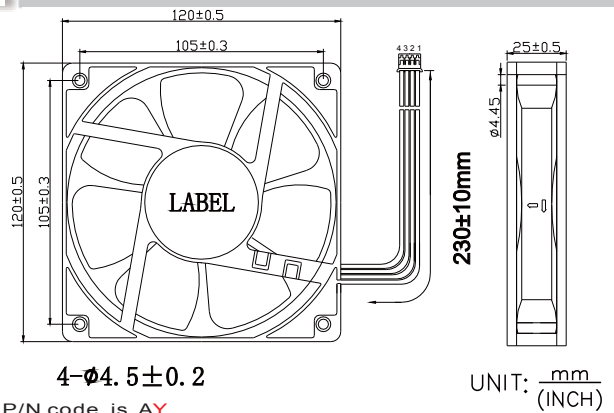
轴承结构：双滚珠、含油、液压、其他  
 Bearing: two ball、sleeve、HY、other  
 框外材质: 塑胶(等级:UL94V-0)  
 Frame:Plastic(Flammability:UL94V-0)  
 扇叶材质:塑胶:(等级:UL94V-0)  
 Impeller:Plastic:(Flammability:UL94V-0)  
 风扇单重:185g(Weight:185g)



## P@Q CURVE(AT RATEDVOLTAGE)



## DIMENSIONS DRAWING(unit:mm)



## 编码规则 Code Rule

例子 Example DCH12038H12B-DAH1701  
 DCH12038H12X-AY

Model No. is DCH12038H12X; Extro P/N code is AY  
 X means bearing type, can be S(sleeve bearing), can be B(ball bearing), can be Y(HY bearing), can be SU(sleeve with UL), can be BU(ball with UL), can be YU(HY with UL)  
 Y means special function code, it will be used for a certain parts no. or client.  
 产品型号 DCH12038H12X; 附加代码 AY. X是一个不确定值, 它代表了不同的轴承类型, S(含油轴承), B(滚珠轴承), Y(液压轴承), SU(含油轴承带UL), BU(滚珠轴承带UL), YU(液压轴承带UL)  
 Y是一个不确定的值, 它代表不同特殊风机功能, 由具体客户或者料号来确定

Model	P/N Code	Rated Voltage	Operating Voltage Range	Rated Current	Rated Input Power	Speed	Maximum Air Flow		Maximum Air Pressure		Noise
型号	P/N 附加码	额定电压	工作电压范围	额定电流	额定输入功率	转速	最大风量		最大风压		噪音
PART.NO.	DY	VDC	VDC	Amp	Watt	R.P.M	M³/min	CFM	mmH2O	InH2O	dB-A
DA12025L12X		12	7.5~13.5	0.3	3.6	2000	1.534	54.19	2.81	0.111	33.3
DA12025M12X		12	7.5~13.5	0.4	4.8	2500	1.910	67.49	4.25	0.167	41.3
DA12025H12X		12	7.5~13.5	0.5	6	3000	2.345	82.86	5.92	0.233	46.1
DA12025HH12X		12	7.5~13.5	0.6	7.2	3500	2.692	95.13	7.56	0.298	50.6
DA12025VH12X		12	7.5~13.5	0.7	8.4	4000	3.065	108.29	9.43	0.371	53
DA12025HV12X		12	7.5~13.5	0.8	9.6	4500	3.426	121.06	11.31	0.445	57.1
DA12025L24X		24	18~26.5	0.15	3.6	2000	1.534	54.19	2.81	0.111	33.3
DA12025M24X		24	18~26.5	0.2	4.8	2500	1.910	67.49	4.25	0.167	41.3
DA12025H24X		24	18~26.5	0.25	6	3000	2.345	82.86	5.92	0.233	46.1
DA12025HH24X		24	18~26.5	0.3	7.2	3500	2.692	95.13	7.56	0.298	50.6
DA12025VH24X		24	18~26.5	0.35	8.4	4000	3.065	108.29	9.43	0.371	53
DA12025HV24X		24	18~26.5	0.4	9.6	4500	3.426	121.06	11.31	0.445	57.1
DA12025L48X		48	36~54	0.075	3.6	2000	1.534	54.19	2.81	0.111	33.3
DA12025M48X		48	36~54	0.1	4.8	2500	1.910	67.49	4.25	0.167	41.3
DA12025H48X		48	36~54	0.125	6	3000	2.345	82.86	5.92	0.233	46.1
DA12025HH48X		48	36~54	0.15	7.2	3500	2.692	95.13	7.56	0.298	50.6
DA12025VH48X		48	36~54	0.175	8.4	4000	3.065	108.29	9.43	0.371	53
DA12025HV48X		48	36~54	0.2	9.6	4500	3.426	121.06	11.31	0.445	57.1



TKFAN®

DT  
C RoHS

# DC Brushless FAN 120x120x25mm-E Type

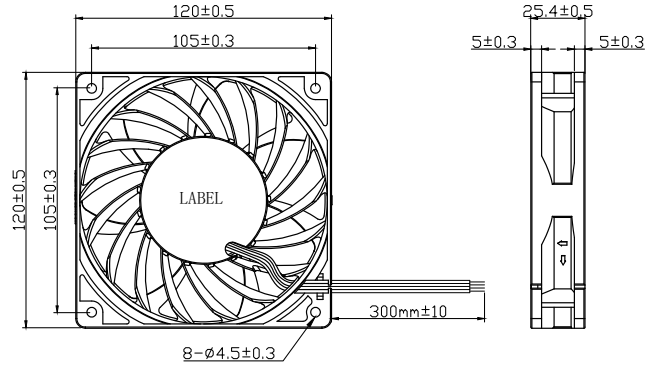
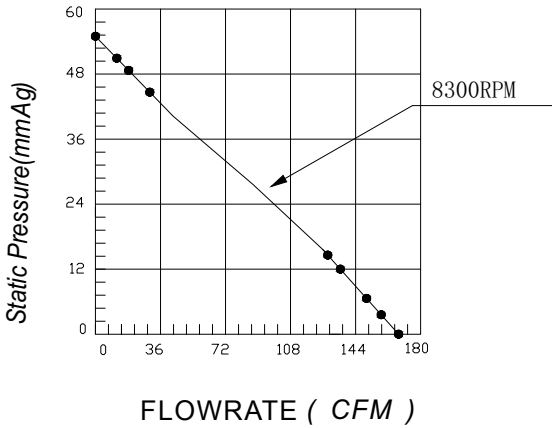
版次 Version 2023-8-14

轴承结构：双滚珠  
Bearing: Two ball  
框外材质: 塑胶:(等级:UL94V-0)  
Frame:Plastic:(Flammability:UL94V-0)  
扇叶材质:塑胶:(等级:UL94V-0)  
Impeller:Plastic:(Flammability:UL94V-0)  
风扇单重:266g(Weight:266g)



## P@Q CURVE(AT RATEDVOLTAGE)

## DIMENSIONS DRAWING(unit:mm)



## 编码规则 Code Rule

UNIT :  $\frac{mm}{(INCH)}$

例子 Example DCH12038H12B-DAH1701  
DCH12038H12X-AY

Model No. is DCH12038H12X; Extro P/N code is AY  
 X means bearing type, can be S(sleeve bearing), can be B(ball bearing), can be Y(HY bearing), can be SU(sleeve with UL), can be BU(ball with UL), can be YU(HY with UL)  
 Y means special function code, it will be used for a certain parts no. or client.  
 产品型号 DCH12038H12X;附加代码 AY. X是一个不确定值,它代表了不同的轴承类型,  
 S(含油轴承),B(滚珠轴承),Y(液压轴承),SU(含油轴承带UL),BU(滚珠轴承带UL),YU(液压轴承带UL)  
 Y是一个不确定的值,它代表不同特殊风机功能,由具体客户或者料号来确定

Model	P/N Code	Rated Voltage	Operating Voltage Range	Rated Current	Rated Input Power	Speed	Maximum Air Flow		Maximum Air Pressure		Noise
型号	P/N 附加码	额定电压	工作电压范围	额定电流	额定输入功率	转速	最大风量		最大风压		噪音
PART.NO.	EY	VDC	VDC	Amp	Watt	R.P.M	M³/min	CFM	mmH2O	InH2O	dB-A
DA12025H24X		24	18 ~26.5	0.9	21.6	8300	4.82	170.2	54.2	2.14	69.2
DA12025H48X		48	36~54	0.45	21.6	8300	4.82	170.2	54.2	2.14	69.2



TKFAN®

C US RoHS

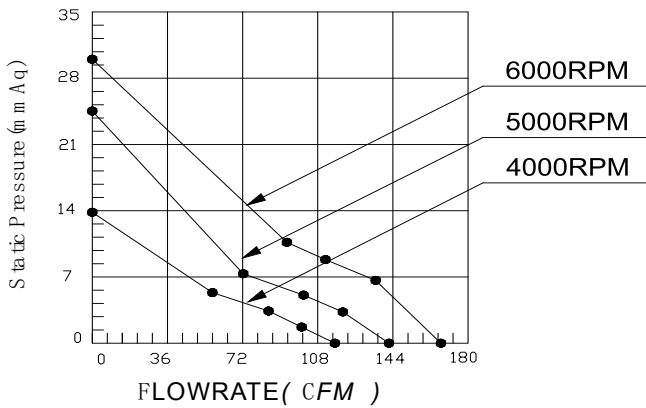
## DC Brushless FAN 120x120x32mm-A Type

版次Version 2023-2-24

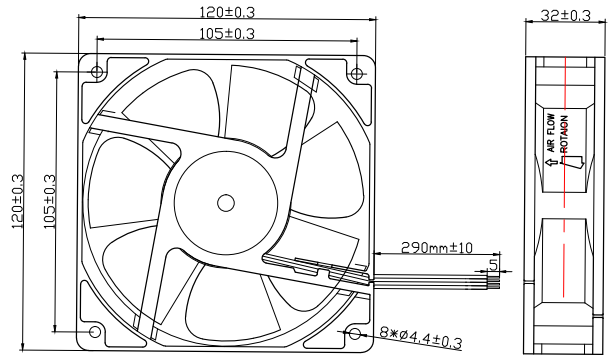
轴承结构：双滚珠、含油、液压、其他  
 Bearing: two ball、sleeve、HY、other  
 框外材质: 塑胶(等级:UL 94V-0)  
 Frame: Plastic(Flammability:UL94V-0)  
 扇叶材质: 塑胶: (等级:UL 94V-0)  
 Impeller: Plastic:(Flammability:UL 94V-0)  
 风扇单重:240g(Weight:240g)



### P@Q CURVE (AT RATED VOLTAGE)



### DIMENSIONS DRAWING (unit:mm)



UNIT:  $\frac{\text{mm}}{\text{INCH}}$

### 编码规则 Code Rule

例子 Example DCH 12038H12B-DAH1701  
 DCH 12038H12X-A Y

Model No. is DCH12038H12X; Extro P/N code is AY

X means bearing type, can be S(sleeve bearing), can be B(ball bearing), can be Y(HY bearing), can be SU(sleeve with UL), can be BU(ball with UL), can be YU(HY with UL)

Y means special function code, it will be used for a certain parts no. or client.

产品型号 DCH12038H12X;附加代码 AY. X是一个不确定值,它代表了不同的轴承类型,

S(含油轴承), B(滚珠轴承), Y(液压轴承), SU(含油轴承带UL), BU(滚珠轴承带UL), YU(液压轴承带UL)

Y是一个不确定的值, 它代表不同特殊风机功能, 由具体客户或者料号来确定

Model	P/N Code	Rated Voltage	Operating Voltage Range	Rated Current	Rated Input Power	Speed	Maximum Air Flow		Maximum Air Pressure		Noise
型号	P/N 附加码	额定电压	工作电压范围	额定电流	额定输入功率	转速	最大风量		最大风压		噪音
PART.NO.	AY	VDC	VDC	Amp	Watt	R.P.M	M³/min	CFM	mmH2O	InH2O	dB-A
DA12032HH12B		12	7.5 ~13.5	0.6	7.2	4000	3.29	116.2	13.8	0.54	56.1
DA12032VH12B		12	7.5 ~13.5	1.0	12	5000	4.02	142.1	21.5	0.85	63.6
DA12032HV12B		12	7.5 ~13.5	1.6	19.2	6000	4.72	166.9	30.0	1.18	65.8
DA12032HH24B		24	18 ~26.5	0.3	7.2	4000	3.29	116.2	13.8	0.54	56.1
DA12032VH24B		24	18 ~26.5	0.5	12	5000	4.02	142.1	21.5	0.85	63.6
DA12032HV24B		24	18 ~26.5	0.8	19.2	6000	4.72	166.9	30.0	1.18	65.8
DA12032HH48B		48	36 ~54	0.15	7.2	4000	3.29	116.2	13.8	0.54	56.1
DA12032VH48B		48	36 ~54	0.25	12	5000	4.02	142.1	21.5	0.85	63.6
DA12032HV48B		48	36 ~54	0.4	19.2	6000	4.72	166.9	30.0	1.18	65.8



TKFAN®

UL US CE RoHS

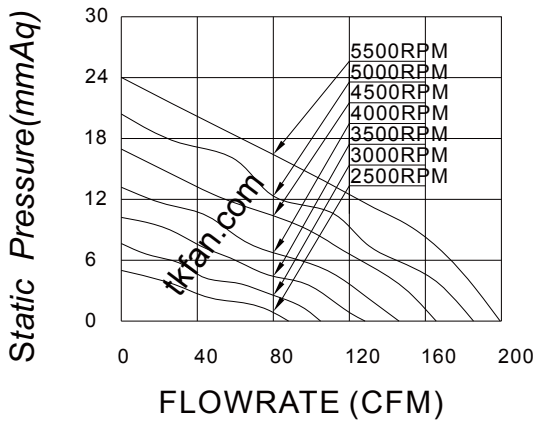
# DC Brushless FAN 120x120x38-A Type

版次Version 2017-4-12

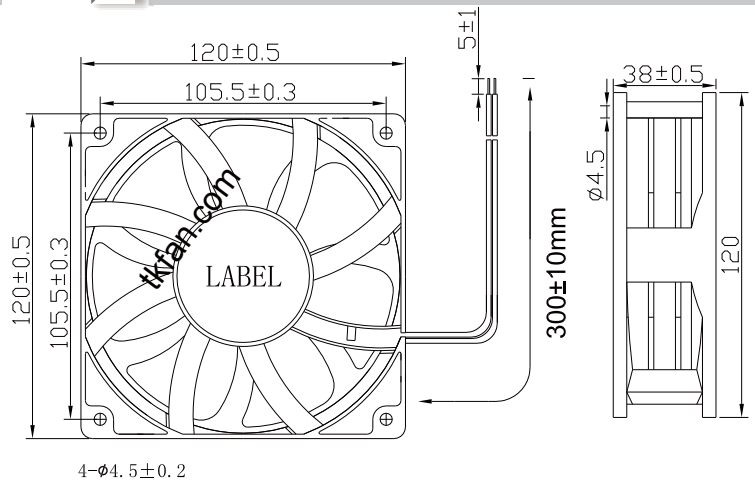
轴承结构：双滚珠、含油、液压、其他  
 Bearing: two ball、sleeve、HY、other  
 框外材质: 塑胶(等级:UL94V-0)  
 Frame:Plastic(Flammability:UL94V-0)  
 扇叶材质:塑胶:(等级:UL94V-0)  
 Impeller:Plastic:(Flammability:UL94V-0)  
 风扇单重:300g(Weight:300g)



## P@Q CURVE(AT RATEDVOLTAGE)



## DIMENSIONS DRAWING(unit:mm)



## 编码规则 Code Rule

例子 Example DCH12038H12B-A1701  
 DCH12038H12X-AY

Model No. is DCH12038H12X; Extro P/N code is AY

X means bearing type, can be S(sleeve bearing), can be B(ball bearing), can be Y(HY bearing), can be SU(sleeve with UL), can be BU(ball with UL), can be YU(HY with UL)

Y means special function code, it will be used for a certain parts no. or client.

产品型号 DCH12038H12X; 附加代码 AY. X是一个不确定值, 它代表了不同的轴承类型,

S(含油轴承), B(滚珠轴承), Y(液压轴承), SU(含油轴承带UL), BU(滚珠轴承带UL), YU(液压轴承带UL)

Y是一个不确定的值, 它代表不同特殊风机功能, 由具体客户或者料号来确定

Model	P/N Code	Rated Voltage	Operating Voltage Range	Rated Current	Rated Input Power	Speed	Maximum Air Flow		Maximum Air Pressure		Noise
型号	P/N 附加码	额定电压	工作电压范围	额定电流	额定输入功率	转速	最大风量		最大风压		噪音
PART.NO.		VDC	VDC	Amp	Watt	R.P.M	M³/min	CFM	mmH2O	InH2O	dB-A
DCH12038L12X	AY	12	8~13.5	0.3	3.6	2500	2.734	96.55	5.91	0.233	43.4
DCH12038M12X		12	8~13.5	0.6	7.2	3000	3.151	111.26	8.66	0.341	47.7
DCH12038VM12X		12	8~13.5	0.9	10.8	3500	3.742	132.14	11.94	0.470	52.8
DCH12038H12X		12	8~13.5	1.2	14.4	4000	4.330	152.89	15.46	0.609	54.5
DCH12038HH12X		12	8~13.5	1.5	18	4500	4.797	169.37	19.73	0.777	58.1
DCH12038VH12X		12	8~13.5	1.8	21.6	5000	5.380	189.97	24.40	0.961	62.1
DCH12038HV12X		12	8~13.5	2.0	24	5500	5.945	209.92	29.28	1.153	65.2
DCH12038L24X		24	18~26.5	0.15	3.6	2500	2.734	96.55	5.91	0.233	43.4
DCH12038M24X		24	18~26.5	0.3	7.2	3000	3.151	111.26	8.66	0.341	47.7
DCH12038VM24X		24	18~26.5	0.45	10.8	3500	3.742	132.14	11.94	0.470	52.8
DCH12038H24X		24	18~26.5	0.6	14.4	4000	4.330	152.89	15.46	0.609	54.5
DCH12038HH24X		24	18~26.5	0.75	18	4500	4.797	169.37	19.73	0.777	58.1
DCH12038VH24X		24	18~26.5	0.9	21.6	5000	5.380	189.97	24.40	0.961	62.1

Model	P/N Code	Rated Voltage	Operating Voltage Range	Rated Current	Rated Input Power	Speed	Maximum Air Flow		Maximum Air Pressure		Noise
型号	P/N 附加码	额定电压	工作电压范围	额定电流	额定输入功率	转速	最大风量		最大风压		噪音
PART.NO.	AY	VDC	VDC	Amp	Watt	R.P.M	M <sup>3</sup> /min	CFM	mmH2O	InH2O	dB-A
DCH12038HV24X		24	18~26.5	1.0	24	5500	5.945	209.92	29.28	1.153	65.2
DCH12038L48X		48	36~54	0.075	3.6	2500	2.734	96.55	5.91	0.233	43.4
DCH12038M48X		48	36~54	0.15	7.2	3000	3.151	111.26	8.66	0.341	47.7
DCH12038VM48X		48	36~54	0.225	10.8	3500	3.742	132.14	11.94	0.470	52.8
DCH12038H48X		48	36~54	0.3	14.4	4000	4.330	152.89	15.46	0.609	54.5
DCH12038HH48X		48	36~54	0.375	18	4500	4.797	169.37	19.73	0.777	58.1
DCH12038VH48X		48	36~54	0.45	21.6	5000	5.380	189.97	24.40	0.961	62.1
DCH12038HV48X		48	36~54	0.5	24	5500	5.945	209.92	29.28	1.153	65.2



TKFAN®

UL US CE RoHS

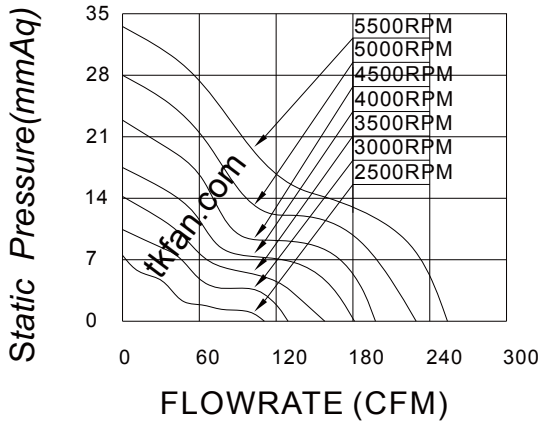
# DC Brushless FAN 120x120x38-B Type

版次Version 2017-4-12

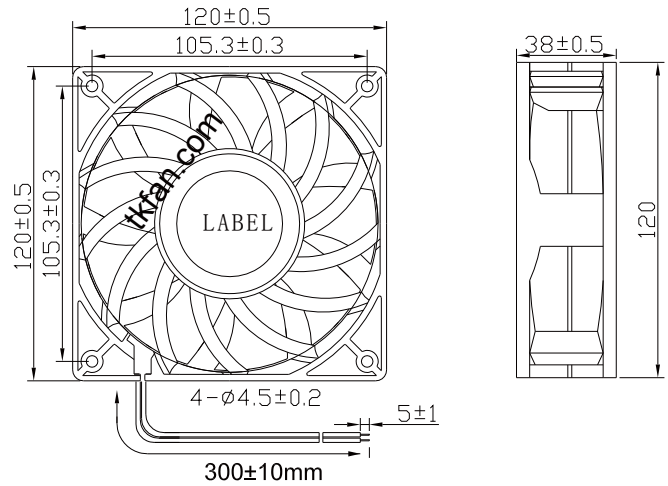
轴承结构：双滚珠、含油、液压、其他  
 Bearing: two ball、sleeve、HY、other  
 框外材质: 塑胶(等级:UL94V-0)  
 Frame:Plastic(Flammability:UL94V-0)  
 扇叶材质:塑胶:(等级:UL94V-0)  
 Impeller:Plastic:(Flammability:UL94V-0)  
 风扇单重:302g(Weight:302g)



## P@Q CURVE(AT RATEDVOLTAGE)



## DIMENSIONS DRAWING(unit:mm)



## 编码规则 Code Rule

例子 Example DCH12038H12B-A1701  
 DCH12038H12X-AY

Model No. is DCH12038H12X; Extro P/N code is AY  
 X means bearing type, can be S(sleeve bearing), can be B(ball bearing), can be Y(HY bearing), can be SU(sleeve with UL), can be BU(ball with UL), can be YU(HY with UL)  
 Y means special function code, it will be used for a certain parts no. or client.  
 产品型号 DCH12038H12X; 附加代码 AY. X是一个不确定值, 它代表了不同的轴承类型,  
 S(含油轴承), B(滚珠轴承), Y(液压轴承), SU(含油轴承带UL), BU(滚珠轴承带UL), YU(液压轴承带UL)  
 Y是一个不确定的值, 它代表不同特殊风机功能, 由具体客户或者料号来确定

Model	P/N Code	Rated Voltage	Operating Voltage Range	Rated Current	Rated Input Power	Speed	Maximum Air Flow		Maximum Air Pressure		Noise
型号	P/N 附加码	额定电压	工作电压范围	额定电流	额定输入功率	转速	最大风量		最大风压		噪音
PART.NO.		VDC	VDC	Amp	Watt	R.P.M	M³/min	CFM	mmH2O	InH2O	dB-A
DCH12038L12X	BY	12	8~13.5	0.35	4.2	2500	3.067	108.28	7.16	0.282	52.4
DCH12038M12X		12	8~13.5	0.85	10.2	3000	3.728	131.62	10.43	0.411	56.0
DCH12038VM12X		12	8~13.5	1.38	16.6	3500	4.458	157.40	14.20	0.559	57.6
DCH12038H12X		12	8~13.5	1.9	22.8	4000	5.092	179.80	18.15	0.715	62.4
DCH12038HH12X		12	8~13.5	2.4	28.8	4500	5.686	200.78	22.96	0.904	66.7
DCH12038VH12X		12	8~13.5	2.8	33.6	5000	6.389	225.59	28.02	1.103	69.8
DCH12038HV12X		12	8~13.5	3.0	36.0	5500	7.037	248.46	33.14	1.305	71.9
DCH12038L24X		24	18~26.5	0.175	4.2	2500	3.067	108.28	7.16	0.282	52.4
DCH12038M24X		24	18~26.5	0.425	10.2	3000	3.728	131.62	10.43	0.411	56.0
DCH12038VM24X		24	18~26.5	0.7	16.6	3500	4.458	157.40	14.20	0.559	57.6
DCH12038H24X		24	18~26.5	0.95	22.8	4000	5.092	179.80	18.15	0.715	62.4
DCH12038HH24X		24	18~26.5	1.2	28.8	4500	5.686	200.78	22.96	0.904	66.7
DCH12038VH24X		24	18~26.5	1.4	33.6	5000	6.389	225.59	28.02	1.103	69.8

Model	P/N Code	Rated Voltage	Operating Voltage Range	Rated Current	Rated Input Power	Speed	Maximum Air Flow		Maximum Air Pressure		Noise
型号	P/N 附加码	额定电压	工作电压范围	额定电流	额定输入功率	转速	最大风量		最大风压		噪音
PART.NO.	BY	VDC	VDC	Amp	Watt	R.P.M	M³/min	CFM	mmH2O	InH2O	dB-A
DCH12038HV24X		24	18~26.5	1.5	36.0	5500	7.037	248.46	33.14	1.305	71.9
DCH12038L48X		48	36~54	0.09	4.2	2500	3.067	108.28	7.16	0.282	52.4
DCH12038M48X		48	36~54	0.21	10.2	3000	3.728	131.62	10.43	0.411	56.0
DCH12038VM48X		48	36~54	0.345	16.6	3500	4.458	157.40	14.20	0.559	57.6
DCH12038H48X		48	36~54	0.475	22.8	4000	5.092	179.80	18.15	0.715	62.4
DCH12038HH48X		48	36~54	0.6	28.8	4500	5.686	200.78	22.96	0.904	66.7
DCH12038VH48X		48	36~54	0.7	33.6	5000	6.389	225.59	28.02	1.103	69.8
DCH12038HV48X		48	36~54	0.75	36.0	5500	7.037	248.46	33.14	1.305	71.9



TKFAN®

UL US CE RoHS

# DC Brushless FAN 120x120x38-C Type

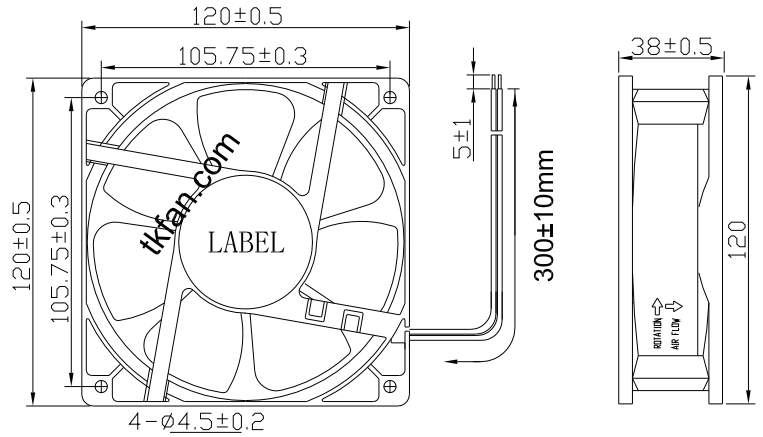
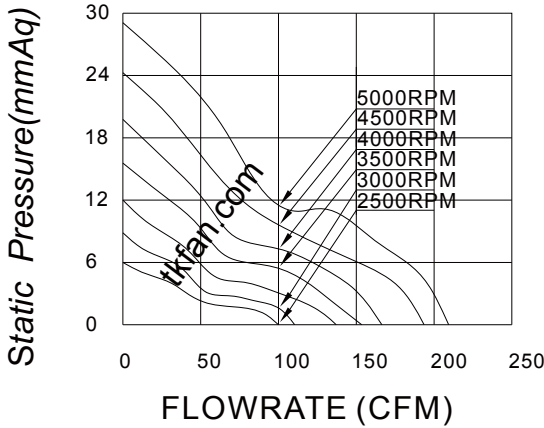
版次Version 2017-4-12

轴承结构：双滚珠、含油、液压、其他  
 Bearing: two ball、sleeve、HY、other  
 框外材质: 塑胶(等级:UL94V-0)  
 Frame:Plastic(Flammability:UL94V-0)  
 扇叶材质:塑胶:(等级:UL94V-0)  
 Impeller:Plastic:(Flammability:UL94V-0)  
 风扇单重:300g(Weight:300g)



## P@Q CURVE(AT RATEDVOLTAGE)

## DIMENSIONS DRAWING(unit:mm)



## 编码规则 Code Rule

例子 Example DCH12038H12B-A1701  
 DCH12038H12X-AY

Model No. is DCH12038H12X; Extro P/N code is AY  
 X means bearing type, can be S(sleeve bearing), can be B(ball bearing), can be Y(HY bearing), can be SU(sleeve with UL), can be BU(ball with UL), can be YU(HY with UL)  
 Y means special function code, it will be used for a certain parts no. or client.  
 产品型号 DCH12038H12X; 附加代码 AY. X是一个不确定值, 它代表了不同的轴承类型,  
 S(含油轴承), B(滚珠轴承), Y(液压轴承), SU(含油轴承带UL), BU(滚珠轴承带UL), YU(液压轴承带UL)  
 Y是一个不确定的值, 它代表不同特殊风机功能, 由具体客户或者料号来确定

Model	P/N Code	Rated Voltage	Operating Voltage Range	Rated Current	Rated Input Power	Speed	Maximum Air Flow	Maximum Air Pressure	Noise		
型号	P/N 附加码	额定电压	工作电压范围	额定电流	额定输入功率	转速	最大风量	最大风压	噪音		
PART.NO.	CY	VDC	VDC	Amp	Watt	R.P.M	M³/min	CFM	mmH2O	InH2O	dB-A
DCH12038L12X		12	8~13.5	0.45	5.4	2500	2.536	89.58	5.37	0.211	40.0
DCH12038M12X		12	8~13.5	0.95	11.4	3000	2.972	104.93	7.38	0.291	44.7
DCH12038Vm12X		12	8~13.5	1.45	17.4	3500	3.636	128.40	10.40	0.409	49.0
DCH12038H12X		12	8~13.5	1.85	22.2	4000	4.060	143.36	13.13	0.517	51.4
DCH12038HH12X		12	8~13.5	2.25	27	4500	4.647	164.09	16.86	0.664	55.8
DCH12038VH12X		12	8~13.5	2.65	31.8	5000	5.205	183.78	20.32	0.800	59.7
DCH12038HV12X		12	8~13.5	3.0	36	5500	5.624	198.60	24.08	0.948	61.3
DCH12038L24X		24	18~26.5	0.225	5.4	2500	2.536	89.58	5.37	0.211	40.0
DCH12038M24X		24	18~26.5	0.475	11.4	3000	2.972	104.93	7.38	0.291	44.7
DCH12038VM24X		24	18~26.5	0.73	17.4	3500	3.636	128.40	10.40	0.409	49.0
DCH12038H24X		24	18~26.5	0.9	22.2	4000	4.060	143.36	13.13	0.517	51.4
DCH12038HH24X		24	18~26.5	1.125	27	4500	4.647	164.09	16.86	0.664	55.8
DCH12038VH24X		24	18~26.5	1.33	31.8	5000	5.205	183.78	20.32	0.800	59.7

Model	P/N Code	Rated Voltage	Operating Voltage Range	Rated Current	Rated Input Power	Speed	Maximum Air Flow		Maximum Air Pressure		Noise
型号	P/N 附加码	额定电压	工作电压范围	额定电流	额定输入功率	转速	最大风量		最大风压		噪音
PART.NO.	CY	VDC	VDC	Amp	Watt	R.P.M	M³/min	CFM	mmH2O	InH2O	dB-A
DCH12038HV24X		24	18~26.5	1.5	36	5500	5.624	198.60	24.08	0.948	61.3
DCH12038L48X		48	36~54	0.113	5.4	2500	2.536	89.58	5.37	0.211	40.0
DCH12038M48X		48	36~54	0.24	11.4	3000	2.972	104.93	7.38	0.291	44.7
DCH12038VM48X		48	36~54	0.36	17.4	3500	3.636	128.40	10.40	0.409	49.0
DCH12038H48X		48	36~54	0.46	22.2	4000	4.060	143.36	13.13	0.517	51.4
DCH12038H48X		48	36~54	0.56	27	4500	4.647	164.09	16.86	0.664	55.8
DCH12038VH48X		48	36~54	0.66	31.8	5000	5.205	183.78	20.32	0.800	59.7
DCH12038HV48X		48	36~54	0.75	36	5500	5.624	198.60	24.08	0.948	61.3



TKFAN®

NM

UL US CE RoHS

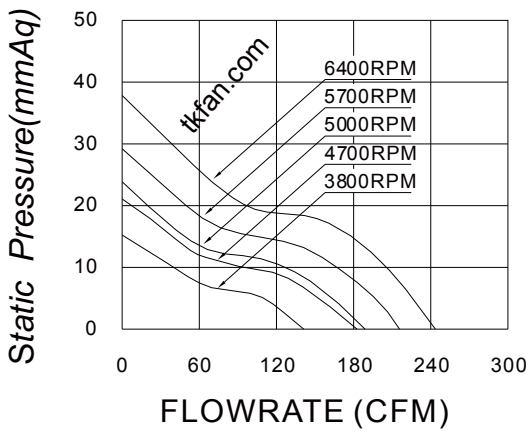
# DC Brushless FAN 120x120x38mm-D Type

版次Version 2018-7-3

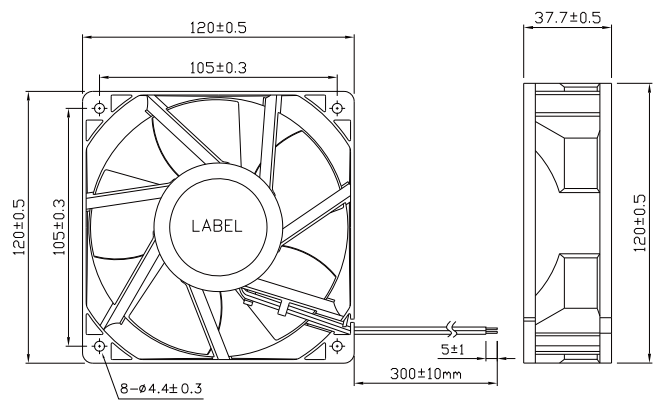
轴承结构：双滚珠、含油、液压、其他  
 Bearing: two ball、sleeve、HY、other  
 框外材质: 塑胶(等级:UL94V-0)  
 Frame:Plastic(Flammability:UL94V-0)  
 扇叶材质:塑胶:(等级:UL94V-0)  
 Impeller:Plastic:(Flammability:UL94V-0)  
 风扇单重:300g(Weight:300g)



## P@Q CURVE(AT RATEDVOLTAGE)



## DIMENSIONS DRAWING(unit:mm)



## 编码规则 Code Rule

例子 Example DCH12038H12B-DCH1701  
 DCH12038H12X-AY

Model No. is DCH12038H12X; Extro P/N code is AY

X means bearing type, can be S(sleeve bearing), can be B(ball bearing), can be Y(HY bearing), can be SU(sleeve with UL), can be BU(ball with UL), can be YU(HY with UL)

Y means special function code, it will be used for a certain parts no. or client.

产品型号 DCH12038H12X; 附加代码 AY. X是一个不确定值, 它代表了不同的轴承类型,

S(含油轴承), B(滚珠轴承), Y(液压轴承), SU(含油轴承带UL), BU(滚珠轴承带UL), YU(液压轴承带UL)

Y是一个不确定的值, 它代表不同特殊风机功能, 由具体客户或者料号来确定

UNIT:  $\frac{mm}{(INCH)}$

Model	P/N Code	Rated Voltage	Operating Voltage Range	Rated Current	Rated Input Power	Speed	Maximum Air Flow		Maximum Air Pressure		Noise
型号	P/N 附加码	额定电压	工作电压范围	额定电流	额定输入功率	转速	最大风量	最大风压	最大风压	噪音	
PART.NO.		VDC	VDC	Amp	Watt	R.P.M	M³/min	CFM	mmH2O	InH2O	dB-A
DCH12038M12X	DY	12	7.5~13.5	0.9	10.8	3800	4.00	141.2	15.24	0.60	53.0
DCH12038H12X		12	7.5~13.5	1.3	15.6	4700	5.17	182.6	21.08	0.83	59.0
DCH12038HH12X		12	7.5~13.5	1.5	18.0	5000	5.35	188.9	23.88	0.94	60.0
DCH12038VH12X		12	7.5~13.5	1.9	22.8	5700	6.11	215.7	29.21	1.15	63.0
DCH12038HV12X		12	7.5~13.5	2.5	30	6400	6.90	243.6	37.85	1.49	66.0
DCH12038M24X		24	18~26.5	0.45	10.8	3800	4.00	141.2	15.24	0.60	53.0
DCH12038H24X		24	18~26.5	0.74	17.76	4700	5.17	182.6	21.08	0.83	59.0
DCH12038HH24X		24	18~26.5	0.74	17.76	5000	5.35	188.9	23.88	0.94	60.0
DCH12038VH24X		24	18~26.5	1.04	24.96	5700	6.11	215.7	29.21	1.15	63.0
DCH12038HV24X		24	18~26.5	1.48	35.52	6400	6.90	243.6	37.85	1.49	66.0
DCH12038M48X		48	36~54	0.23	11.04	3800	4.00	141.2	15.24	0.60	53.0
DCH12038H48X		48	36~54	0.39	18.72	4700	5.17	182.6	21.08	0.83	59.0
DCH12038HH48X		48	36~54	0.44	21.12	5000	5.35	188.9	23.88	0.94	60.0
DCH12038VH48X		48	36~54	0.55	26.4	5700	6.11	215.7	29.21	1.15	63.0
DCH12038HV48X		48	36~54	0.70	33.6	6400	6.90	243.6	37.85	1.49	66.0



TKFAN®

UL US CE RoHS

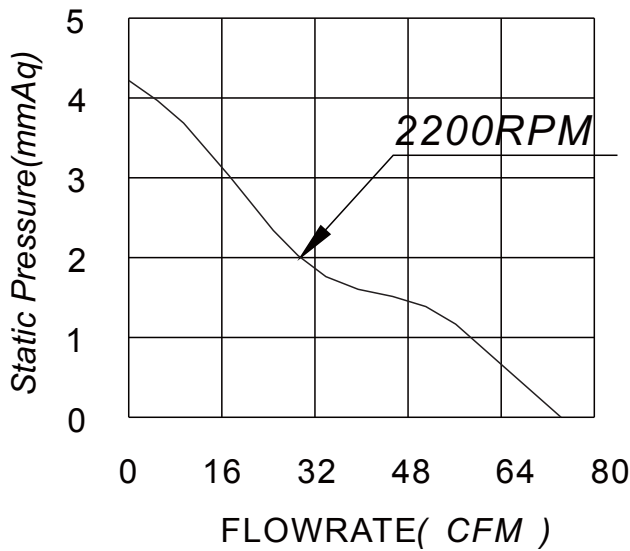
# DC Brushless FAN 120x120x38-E Type

版次Version 2020-12-4

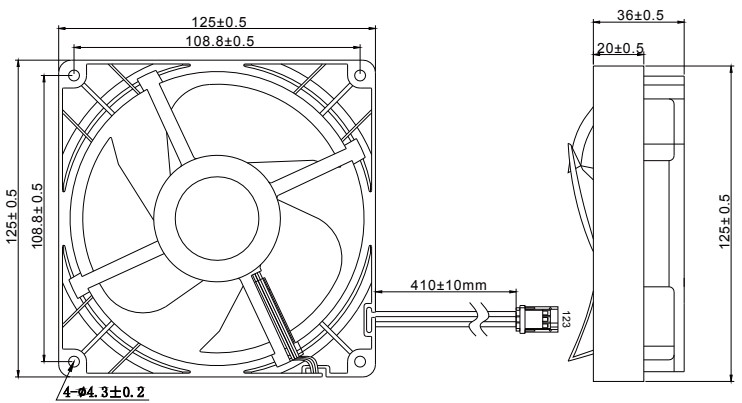
轴承结构：双滚珠、含油、液压、其他  
 Bearing: two ball、sleeve、HY、other  
 框外材质: 塑胶(等级:UL94V-0)  
 Frame:Plastic(Flammability:UL94V-0)  
 扇叶材质:塑胶:(等级:UL94V-0)  
 Impeller:Plastic:(Flammability:UL94V-0)  
 风扇单重:228g(Weight:228g)



## P@Q CURVE(AT RATEDVOLTAGE)



## DIMENSIONS DRAWING(unit:mm)



### LEAD WIRE

UL1007#26AWG OR EQUIVALENT  
 PIN1:RED WIRE---(+)  
 PIN2: YELLOW WIRE---(FG)  
 PIN3:BLACK WIRE---(-)

## 编码规则 Code Rule

例子 Example DCH12038H12B-A1701  
 DCH12038H12X-AY

Model No. is DCH12038H12X; Extro P/N code is AY

X means bearing type, can be S(sleeve bearing), can be B(ball bearing), can be Y(HY bearing), can be SU(sleeve with UL), can be BU(ball with UL), can be YU(HY with UL)

Y means special function code, it will be used for a certain parts no. or client.

产品型号 DCH12038H12X;附加代码 AY. X是一个不确定值,它代表了不同的轴承类型,

S(含油轴承),B(滚珠轴承),Y(液压轴承),SU(含油轴承带UL),BU(滚珠轴承带UL),YU(液压轴承带UL)

Y是一个不确定的值,它代表不同特殊风机功能,由具体客户或者料号来确定

Model	P/N Code	Rated Voltage	Operating Voltage Range	Rated Current	Rated Input Power	Speed	Maximum Air Flow		Maximum Air Pressure		Noise
型号	P/N 附加码	额定电压	工作电压范围	额定电	额定输入功率	转速	最大风量		最大风压		噪音
PART.NO.	EY	VDC	VDC	Amp	Watt	R.P.M	M³/min	CFM	mmH2O	InH2O	dB-A
DCH12038L12X		12	8~13.5	0.11	1.32	2200	2.102	74.29	4.22	0.166	35.90



TKFAN®

SY

C US CE RoHS

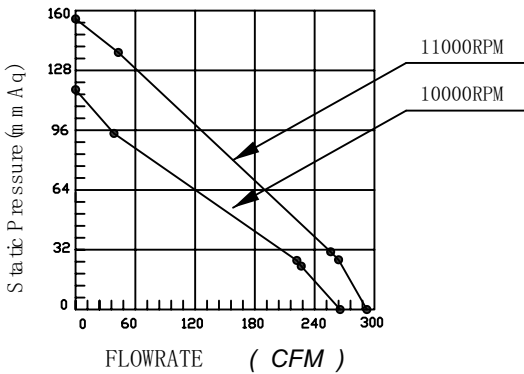
# DC Brushless FAN 120x120x38mm-F Type

版次Version 2022-5-23

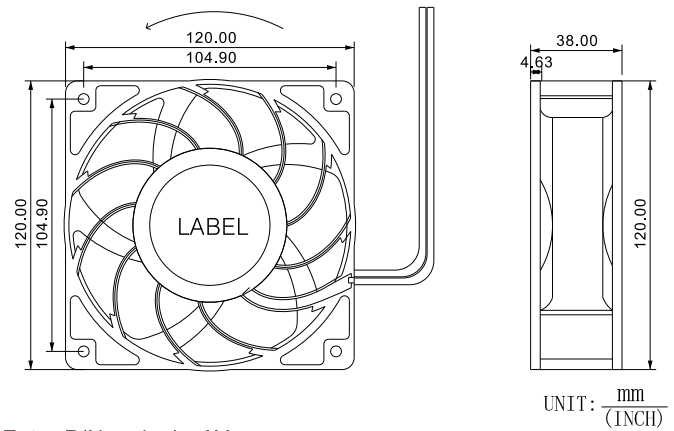
- 轴承结构: 双滚珠
- Bearing: Two ball
- 框外材质: 铝(等级:UL94V-0)
- Frame:Aluminum(Flammability:UL94V-0)
- 扇叶材质:塑胶:(等级:UL94V-0)
- Impeller:Plastic:(Flammability:UL94V-0)
- 风扇单重:445g(Weight:445g)



P@Q CURVE (AT RATEDVOLTAGE)



DIMENSIONS DRAWING(unit:mm)



## 编码规则 Code Rule

例子 Example DCH12038H12B-DAH1701  
DCH12038H12X-AY

Model No. is DCH12038H12X; Extro P/N code is AY  
 X means bearing type, can be S(sleeve bearing), can be B(ball bearing), can be Y(HY bearing), can be SU(sleeve with UL), can be BU(ball with UL), can be YU(HY with UL)  
 Y means special function code, it will be used for a certain parts no. or client.  
 产品型号 DCH12038H12X;附加代码 AY. X是一个不确定值,它代表了不同的轴承类型,  
 S(含油轴承),B(滚珠轴承),Y(液压轴承),SU(含油轴承带UL),BU(滚珠轴承带UL),YU(液压轴承带UL)  
 Y是一个不确定的值,它代表不同特殊风机功能,由具体客户或者料号来确定

Model	P/N Code	Rated Voltage	Operating Voltage Range	Rated Current	Rated Input Power	Speed	Maximum Air Flow		Maximum Air Pressure		Noise
型号	P/N 附加码	额定电压	工作电压范围	额定电流	额定输入功率	转速	最大风量	最大风压	最大风量	最大风压	噪音
PART.NO.	FY	VDC	VDC	Amp	Watt	R.P.M	M³/mi	CFM	mmH2O	InH2O	dB-A
DCH12038VH12X		12	7.5~13.5	5.2	62.4	10000	7.12	251.5	103.2	4.07	72.4
DCH12038HV12X		12	7.5~13.5	7	84	11000	8.25	291.2	105.0	4.14	75.6
DCH12038VH24X		24	18~26.5	2.6	62.4	10000	7.52	265.5	117.7	4.64	72.4
DCH12038HV24X		24	18~26.5	3.5	84	11000	8.28	292.4	155.6	6.13	75.6
DCH12038VH48X		48	36~54	1.3	62.4	10000	7.52	265.5	117.7	4.64	72.4
DCH12038HV48X		48	36~54	1.75	84	11000	8.28	292.4	155.6	6.13	75.6



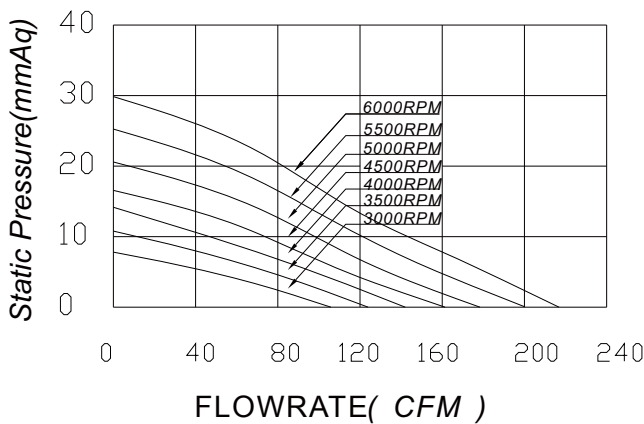
# DC Brushless FAN 120x120x38-Q Type

版次Version 2022-6-15

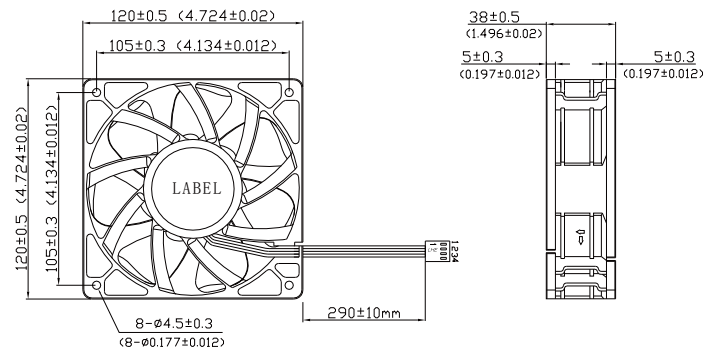
轴承结构：双滚珠、含油、液压、其他  
 Bearing: two ball、sleeve、HY、other  
 框外材质: 塑胶(等级:UL94V-0)  
 Frame:Plastic(Flammability:UL94V-0)  
 扇叶材质:塑胶:(等级:UL94V-0)  
 Impeller:Plastic:(Flammability:UL94V-0)  
 风扇单重:200g(Weight:200g)



## P@Q CURVE(AT RATEDVOLTAGE)



## DIMENSIONS DRAWING(unit:mm)



UNIT: mm / (INCH)

## 编码规则 Code Rule

例子 Example DCH12038H12B-A1701  
DCH12038H12X-AY

Model No. is DCH12038H12X; Extro P/N code is AY  
 X means bearing type, can be S(sleeve bearing), can be B(ball bearing), can be Y(HY bearing), can be SU(sleeve with UL), can be BU(ball with UL), can be YU(HY with UL)  
 Y means special function code, it will be used for a certain parts no. or client.  
 产品型号 DCH12038H12X;附加代码 AY. X是一个不确定值,它代表了不同的轴承类型,  
 S(含油轴承),B(滚珠轴承),Y(液压轴承),SU(含油轴承带UL),BU(滚珠轴承带UL),YU(液压轴承带UL)  
 Y是一个不确定的值,它代表不同特殊风机功能,由具体客户或者料号来确定

Model	P/N Code	Rated Voltage	Operating Voltage Range	Rated Current	Rated Input Power	Speed	Maximum Air Flow		Maximum Air Pressure		Noise
型号	P/N 附加码	额定电压	工作电压范围	额定电流	额定输入功率	转速	最大风量		最大风压		噪音
PART.NO.	QY	VDC	VDC	Amp	Watt	R.P.M	M³/min	CFM	mmH2O	InH2O	dB-A
DCH12038L12X		12	8~13.5	0.4	4.8	3000	3.142	110.99	8.58	0.337	45.70
DCH12038M12X		12	8~13.5	0.5	6.0	3500	3.537	124.92	10.8	0.425	49.30
DCH12038VM12X		12	8~13.5	0.7	8.4	4000	4.048	142.97	13.81	0.543	52.80
DCH12038H12X		12	8~13.5	0.9	10.8	4500	4.613	162.93	17.23	0.678	56.60
DCH12038HH12X		12	8~13.5	1.3	15.6	5000	5.142	181.61	21.11	0.831	59.40
DCH12038VH12X		12	8~13.5	1.7	20.4	5500	5.696	201.17	25.61	1.008	62.60
DCH12038HV12X		12	18~26.5	2	24	6000	6.162	217.62	29.65	1.167	63.50
DCH12038L24X		24	18~26.5	0.2	4.8	3000	3.142	110.99	8.58	0.337	45.70
DCH12038M24X		24	18~26.5	0.25	6.0	3500	3.537	124.92	10.8	0.425	49.30
DCH12038VM24X		24	18~26.5	0.35	8.4	4000	4.048	142.97	13.81	0.543	52.80
DCH12038H24X		24	18~26.5	0.45	10.8	4500	4.613	162.93	17.23	0.678	56.60
DCH12038HH24X		24	18~26.5	0.65	15.6	5000	5.142	181.61	21.11	0.831	59.40
DCH12038VH24X		24	18~26.5	0.85	20.4	5500	5.696	201.17	25.61	1.008	62.60
DCH12038HV24X		24	18~26.5	1.0	24	6000	6.162	217.62	29.65	1.167	63.50

Model	P/N Code	Rated Voltage	Operating Voltage Range	Rated Current	Rated Input Power	Speed	Maximum Air Flow		Maximum Air Pressure		Noise
型号	P/N 附加码	额定电压	工作电压范围	额定电流	额定输入功率	转速	最大风量		最大风压		噪音
PART.NO.	QY	VDC	VDC	Amp	Watt	R.P.M	M³/min	CFM	mmH2O	InH2O	dB-A
DCH12038L48X		48	36~54	0.1	4.8	3000	3.142	110.99	8.58	0.337	45.70
DCH12038M48X		48	36~54	0.13	6.24	3500	3.537	124.92	10.8	0.425	49.30
DCH12038VM48X		48	36~54	0.18	8.64	4000	4.048	142.97	13.81	0.543	52.80
DCH12038H48X		48	36~54	0.23	11.04	4500	4.613	162.93	17.23	0.678	56.60
DCH12038HH48X		48	36~54	0.33	15.84	5000	5.142	181.61	21.11	0.831	59.40
DCH12038VH48X		48	36~54	0.43	20.64	5500	5.696	201.17	25.61	1.008	62.60
DCH12038HV48X		48	36~54	0.5	24	6000	6.162	217.62	29.65	1.167	63.50



TKFAN®

CE RoHS

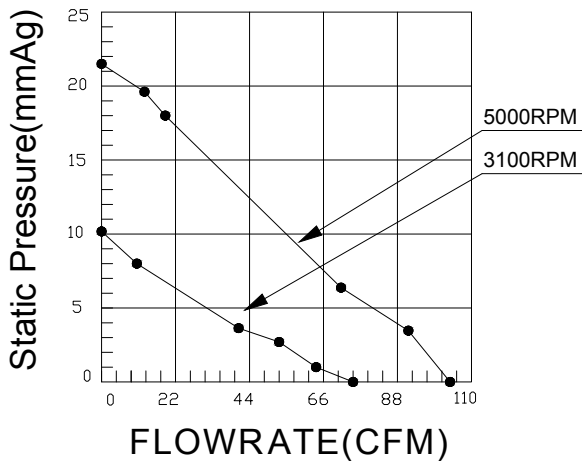
# DC Brushless FAN Ø136X28mm-A Type

版次Version 2023-6-26

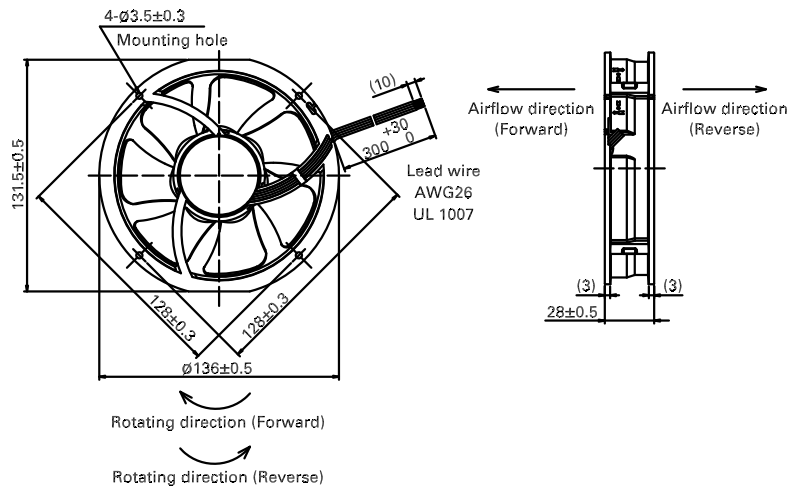
- 轴承结构：滚珠
- Bearing: Ball
- 框外材质: 塑料(等级:UL94V-0)
- Frame: Plastic(Flammability:UL94V-0)
- 扇叶材质: 塑胶:(等级:UL94V-0)
- Impeller: Plastic:(Flammability:UL94V-0)
- 风扇单重: 220g(Weight: 220g)



## P@Q CURVE(AT RATED VOLTAGE)



## DIMENSIONS DRAWING(unit:mm)



## 编码规则 Code Rule

例子 Example DCH12038H12B-A1701  
DCH12038H12X-AY

Model No. is DCH12038H12X; Extro P/N code is AY

X means bearing type, can be S(sleeve bearing), can be B(ball bearing), can be Y(HY bearing), can be SU(sleeve with UL), can be BU(ball with UL), can be YU(HY with UL)

Y means special function code, it will be used for a certain parts no. or client.

产品型号 DCH12038H12X;附加代码 AY. X是一个不确定值,它代表了不同的轴承类型,

S(含油轴承),B(滚珠轴承),Y(液压轴承),SU(含油轴承带UL),BU(滚珠轴承带UL),YU(液压轴承带UL)

Y是一个不确定的值,它代表不同特殊风机功能,由具体客户或者料号来确定

Model	P/N Code	Rated Voltage	Operating Voltage Range	Rated Current	Rated Input Power	Speed	Maximum Air Flow		Maximum Air Pressure		Noise
型号	P/N 附加码	额定电压	工作电压范围	额定电流	额定输入功率	转速	最大风量		最大风压		噪音
PART.NO.	AY	VDC	VDC	Amp	Watt	R.P.M	M <sup>3</sup> /min	CFM	mmH <sub>2</sub> O	InH <sub>2</sub> O	dB-A
DA13628H12X		12	7.5-13.5	0.15	1.8	3100	2.0	70.9	10.6	0.42	46.2
DA13628VH12X		12	7.5-13.5	0.55	6.6	5000	2.94	103.8	21.5	0.85	52.6
DA13628H24X		24	18-26.5	0.07	1.8	3100	2.0	70.9	10.6	0.42	46.2
DA13628VH24X	24	18-26.5	0.27	6.6	5000	2.94	103.8	21.5	0.85	52.6	



TKFAN®

UL US CE RoHS

# DC Brushless FAN Ø136X28mm-BType

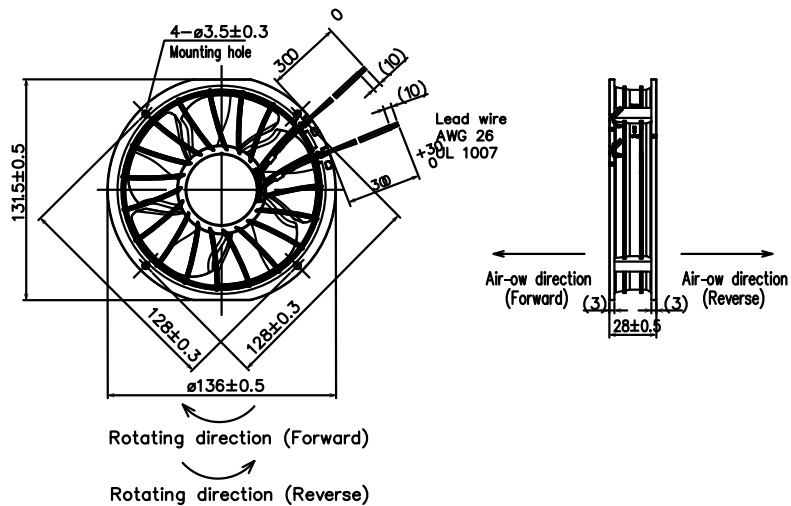
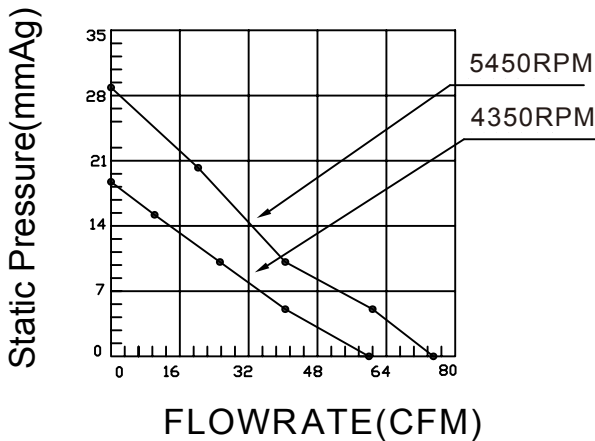
版次Version 2022-3-23

- 轴承结构：滚珠
- Bearing: Ball
- 框外材质: 塑料(等级:UL94V-0)
- Frame:Plastic(Flammability:UL94V-0)
- 扇叶材质:塑胶:(等级:UL94V-0)
- Impeller:Plastic:(Flammability:UL94V-0)
- 风扇单重:220g(Weight:220g)



## P@Q CURVE(AT RATEDVOLTAGE)

## DIMENSIONS DRAWING(unit:mm)



## 编码规则 Code Rule

例子 Example DCH12038H12B-A1701  
DCH12038H12X-AY

Model No. is DCH12038H12X; Extro P/N code is AY  
 X means bearing type, can be S(sleeve bearing), can be B(ball bearing), can be Y(HY bearing), can be SU(sleeve with UL), can be BU(ball with UL), can be YU(HY with UL)  
 Y means special function code, it will be used for a certain parts no. or client.  
 产品型号 DCH12038H12X;附加代码AY. X是一个不确定值,它代表了不同的轴承类型,  
 S(含油轴承),B(滚珠轴承),Y(液压轴承),SU(含油轴承带UL),BU(滚珠轴承带UL),YU(液压轴承带UL)  
 Y是一个不确定的值,它代表不同特殊风机功能,由具体客户或者料号来确定

Model	P/N Code	Rated Voltage	Operating Voltage Range	Rated Current	Rated Input Power	Speed	Maximum Air Flow		Maximum Air Pressure		Noise
型号	P/N 附加码	额定电压	工作电压范围	额定电流	额定输入功率	转速	最大风量		最大风压		噪音
PART.NO.	BY	VDC	VDC	Amp	Watt	R.P.M	M³/min	CFM	mmH2O	InH2O	dB-A
DA13628M12X		12	7.5~13.5	0.16	1.92	4350	1.67	59.2	18.79	0.74	47
DA13628H12X		12	7.5~13.5	0.25	3.00	5450	2.10	74.2	28.96	1.14	52
DA13628M24X		24	18~26.5	0.08	1.92	4350	1.67	59.2	18.79	0.74	47
DA13628H24X		24	18~26.5	0.13	3.12	5450	2.10	74.2	28.96	1.14	52



TKFAN®

UL US CE RoHS

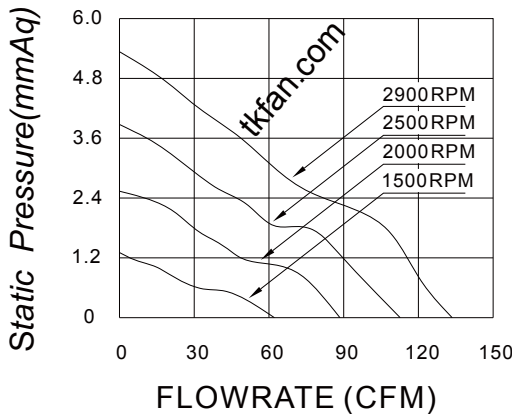
# DC Brushless FAN 140x140x25mm-A Type

版次Version 2019-3-1

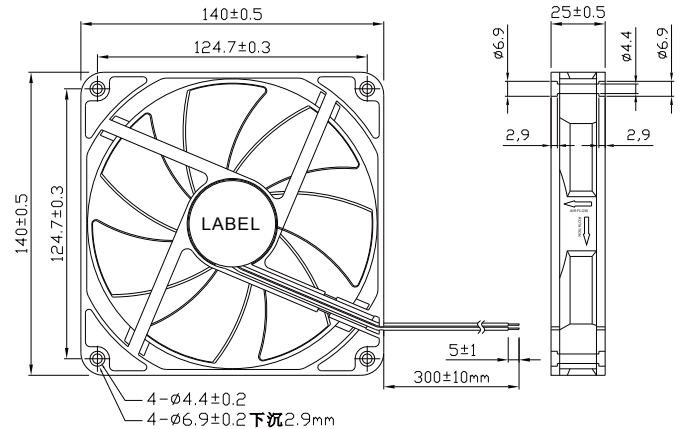


轴承结构：双滚珠，含油，液压，其他  
 Bearing: two ball, sleeve, HY, other  
 框外材质: 塑胶(等级:UL94V-0)  
 Frame:Plastic(Flammability:UL94V-0)  
 扇叶材质:塑胶:(等级:UL94V-0)  
 Impeller:Plastic:(Flammability:UL94V-0)  
 风扇单重:170g(Weight:170g)

## P@Q CURVE(AT RATEDVOLTAGE)



## DIMENSIONS DRAWING(unit:mm)



## 编码规则 Code Rule

例子 Example DCH12038H12B-A1701  
 DCH12038H12X-AY

Model No. is DCH12038H12X; Extro P/N code is AY

X means bearing type, can be S(sleeve bearing), can be B(ball bearing), can be Y(HY bearing), can be SU(sleeve with UL), can be BU(ball with UL), can be YU(HY with UL)

Y means special function code, it will be used for a certain parts no. or client.

产品型号 DCH12038H12X;附加代码 AY. X是一个不确定值,它代表了不同的轴承类型,

S(含油轴承),B(滚珠轴承),Y(液压轴承),SU(含油轴承带UL),BU(滚珠轴承带UL),YU(液压轴承带UL)

Y是一个不确定的值,它代表不同特殊风机功能,由具体客户或者料号来确定

UNIT: mm  
(INCH)

Model	P/N Code	Rated Voltage	Operating Voltage Range	Rated Current	Rated Input Power	Speed	Maximum Air Flow		Maximum Air Pressure		Noise
型号	P/N 附加码	额定电压	工作电压范围	额定电流	额定输入功率	转速	最大风量		最大风压		噪音
PART.NO.	AY	VDC	VDC	Amp	Watt	R.P.M	M³/min	CFM	mmH2O	InH2O	dB-A
DA14025L12X		12	7.5~13.5	0.10	1.20	1500	1.757	62.07	1.30	0.051	28.0
DA14025M12X		12	7.5~13.5	0.23	2.76	2000	2.499	88.28	2.54	0.100	36.0
DA14025H12X		12	7.5~13.5	0.47	5.64	2500	3.193	112.80	3.87	0.152	43.1
DA14025HH12X		12	7.5~13.5	1.00	12.0	2900	3.777	133.43	5.35	0.211	47.1
DA14025L24X		24	18~26.5	0.05	1.20	1500	1.757	62.07	1.30	0.051	28.0
DA14025M24X		24	18~26.5	0.12	2.88	2000	2.499	88.28	2.54	0.100	36.0
DA14025H24X		24	18~26.5	0.24	5.76	2500	3.193	112.80	3.87	0.152	43.1
DA14025HH24X		24	18~26.5	0.50	12.0	2900	3.777	133.43	5.35	0.211	47.1
DA14025L48X		48	36~54	0.03	1.44	1500	1.757	62.07	1.30	0.051	28.0
DA14025M48X		48	36~54	0.06	2.88	2000	2.499	88.28	2.54	0.100	36.0
DA14025H48X		48	36~54	0.12	5.76	2500	3.193	112.80	3.87	0.152	43.1
DA14025HH48X		48	36~54	0.25	12.0	2900	3.777	133.43	5.35	0.211	47.1



TKFAN®

UL US CE RoHS

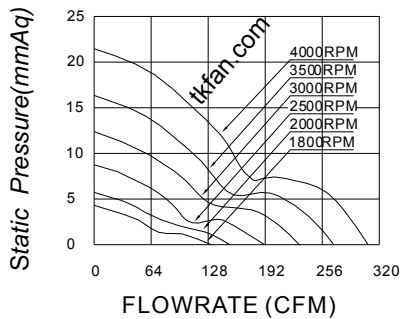
# DC Brushless FAN 140x140x38mm-A Type

版次Version 2018-9-8

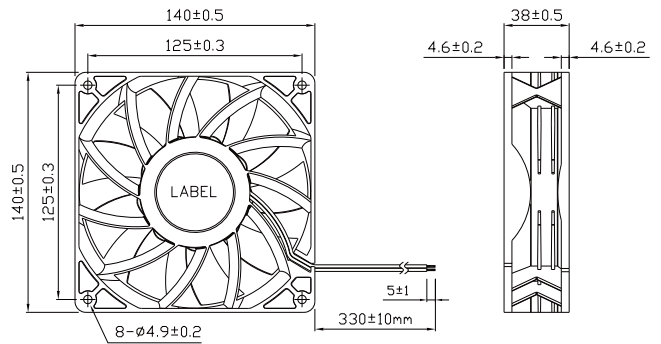
轴承结构：双滚珠、含油、液压、其他  
 Bearing: two ball、sleeve、HY、other  
 框外材质: 塑胶(等级:UL94V-0)  
 Frame:Plastic(Flammability:UL94V-0)  
 扇叶材质:塑胶:(等级:UL94V-0)  
 Impeller:Plastic:(Flammability:UL94V-0)  
 风扇单重:450g(Weight:450g)



## P@Q CURVE(AT RATEDVOLTAGE)



## DIMENSIONS DRAWING(unit:mm)



UNIT:  $\frac{\text{mm}}{\text{INCH}}$

## 编码规则 Code Rule

例子 Example DCH12038H12B-DAH1701  
 DCH12038H12X-AY

Model No. is DCH12038H12X; Extro P/N code is AY

X means bearing type, can be S(sleeve bearing), can be B(ball bearing), can be Y(HY bearing), can be SU(sleeve with UL), can be BU(ball with UL), can be YU(HY with UL)

Y means special function code, it will be used for a certain parts no. or client.

产品型号 DCH12038H12X; 附加代码 AY. X是一个不确定值, 它代表了不同的轴承类型,

S(含油轴承), B(滚珠轴承), Y(液压轴承), SU(含油轴承带UL), BU(滚珠轴承带UL), YU(液压轴承带UL)

Y是一个不确定的值, 它代表不同特殊风机功能, 由具体客户或者料号来确定

Model	P/N Code	Rated Voltage	Operating Voltage Range	Rated Current	Rated Input Power	Speed	Maximum Air Flow		Maximum Air Pressure		Noise
型号	P/N 附加码	额定电压	工作电压范围	额定电流	额定输入功率	转速	最大风量		最大风压		噪音
PART.NO.		VDC	VDC	Amp	Watt	R.P.M	M³/min	CFM	mmH2	InH2	dB-A
DA14038L12X	AY	12	7.5~13.5	0.39	4.68	1800	3.774	133.3	4.24	0.167	43.8
DA14038M12X		12	7.5~13.5	0.51	6.12	2000	4.306	152.11	5.66	0.223	47.5
DA14038H12X		12	7.5~13.5	0.85	10.2	2500	5.411	191.13	8.74	0.344	53.5
DA14038HH12X		12	7.5~13.5	1.40	16.8	3000	6.532	230.73	12.4	0.488	58.2
DA14038VH12X		12	7.5~13.5	2.15	25.8	3500	7.598	268.37	16.35	0.644	62.0
DA14038HV12X		12	7.5~13.5	3.25	39.0	4000	8.698	307.25	21.5	0.846	66.2
DA14038L24X		24	18~26.5	0.20	4.80	1800	3.774	133.3	4.24	0.167	43.8
DA14038M24X		24	18~26.5	0.25	6.00	2000	4.306	152.11	5.66	0.223	47.5
DA14038H24X		24	18~26.5	0.42	10.08	2500	5.411	191.13	8.74	0.344	53.5
DA14038HH24X		24	18~26.5	0.70	16.8	3000	6.532	230.73	12.4	0.488	58.2
DA14038VH24X		24	18~26.5	1.07	25.68	3500	7.598	268.37	16.35	0.644	62.0
DA14038HV24X		24	18~26.5	1.63	39.12	4000	8.698	307.25	21.5	0.846	66.2
DA14038L48X		48	36~54	0.1	4.80	1800	3.774	133.3	4.24	0.167	43.8
DA14038M48X		48	36~54	0.12	5.76	2000	4.306	152.11	5.66	0.223	47.5
DA14038H48X		48	36~54	0.21	10.08	2500	5.411	191.13	8.74	0.344	53.5
DA14038HH48X		48	36~54	0.35	16.8	3000	6.532	230.73	12.4	0.488	58.2
DA14038VH48X		48	36~54	0.53	25.44	3500	7.598	268.37	16.35	0.644	62.0
DA14038HV48X		48	36~54	0.81	38.88	4000	8.698	307.25	21.5	0.846	66.2



TKFAN®

UL US CE RoHS

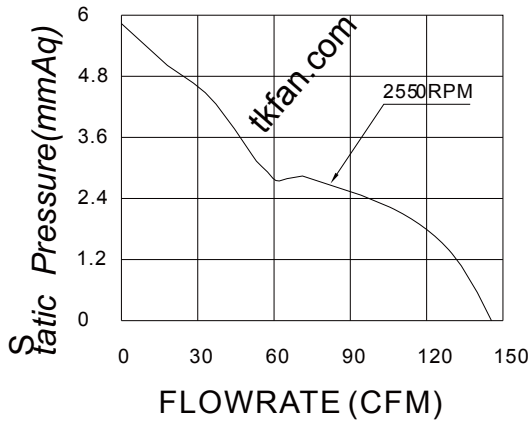
# DC Brushless FAN Ø140x38mm-B Type

版次Version 2023-04-13

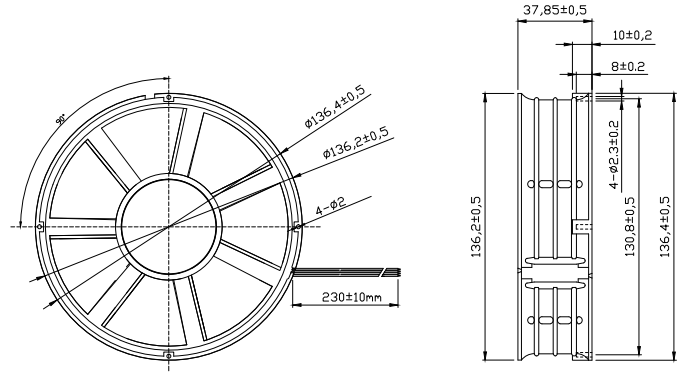
轴承结构：双滚珠，含油，液压，其他  
 Bearing: two ball，sleeve，HY，other  
 框外材质: 塑胶(等级:UL94V-0)  
 Frame:Plastic(Flammability:UL94V-0)  
 扇叶材质:塑胶:(等级:UL94V-0)  
 Impeller:Plastic:(Flammability:UL94V-0)  
 风扇单重:410g(Weight:410g)



## P@Q CURVE(AT RATEDVOLTAGE)



## DIMENSIONS DRAWING(unit:mm)



UNIT: mm / (INCH)

## 编码规则 Code Rule

例子 Example DCH12038H12B-A1701  
 DCH12038H12X-AY

Model No. is DCH12038H12X; Extro P/N code is A Y  
 X means bearing type, can be S(sleeve bearing), can be B(ball bearing), can be Y(HY bearing), can be SU(sleeve with UL), can be BU(ball with UL), can be YU(HY with UL)  
 Y means special function code, it will be used for a certain parts no. or client.  
 产品型号 DCH12038H12X 附加代码AY. X是一个不确定值它代表了不同的轴承类型  
 S(含油轴承), B(滚珠轴承), Y(液压轴承), SU(含油轴承带UL), BU(滚珠轴承带UL), YU(液压轴承带UL)  
 Y是一个不确定的值, 它代表不同特殊风机功能, 由具体客户或者料号来确定

Model	P/N Code	Rated Voltage	Operating Voltage Range	Rated Current	Rated Input Power	Speed	Maximum Air Flow		Maximum Air Pressure		Noise
型号	P/N 附加码	额定电压	工作电压范围	额定电流	额定输入功率	转速	最大风量		最大风压		噪音
PART.NO.	BY	VDC	VDC	Amp	Watt	R.P.M	M³/mi	CFM	mmH2O	InH2O	dB-A
DA14038H12X		12	7.5~13.5	0.80	9.6	2550	4.11	145.16	5.73	0.23	46.0
DA14038H24X		24	18~26.5	0.40	9.6	2550	4.11	145.16	5.73	0.23	46.0
DA14038H48X		48	36~54	0.20	9.6	2550	4.11	145.16	5.73	0.23	46.0



TKFAN®

UL US CE RoHS

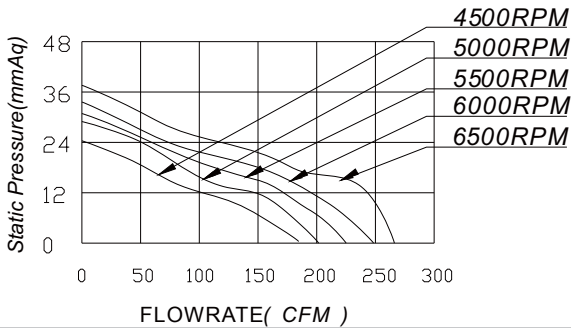
# DC Brushless FAN 140x140x38mm-C Type

版次Version 2019-10-10

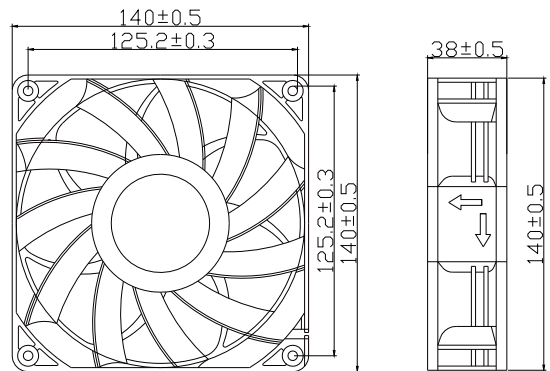
轴承结构：双滚珠、含油、液压、其他  
 Bearing: two ball、sleeve、HY、other  
 框外材质: 塑胶(等级:UL94V-0)  
 Frame:Plastic(Flammability:UL94V-0)  
 扇叶材质:塑胶:(等级:UL94V-0)  
 Impeller:Plastic:(Flammability:UL94V-0)  
 风扇单重:450g(Weight:450g)



## P@Q CURVE(AT RATEDVOLTAGE)



## DIMENSIONS DRAWING(unit:mm)



UNIT: mm (INCH)

## 编码规则 Code Rule

例子 Example DCH12038H12B-DAH1701  
 DCH12038H12X-AY

Model No. is DCH12038H12X; Extro P/N code is AY

X means bearing type, can be S(sleeve bearing), can be B(ball bearing), can be Y(HY bearing), can be SU(sleeve with UL), can be BU(ball with UL), can be YU(HY with UL)

Y means special function code, it will be used for a certain parts no. or client.

产品型号 DCH12038H12X; 附加代码 AY. X是一个不确定值, 它代表了不同的轴承类型,

S(含油轴承), B(滚珠轴承), Y(液压轴承), SU(含油轴承带UL), BU(滚珠轴承带UL), YU(液压轴承带UL)

Y是一个不确定的值, 它代表不同特殊风机功能, 由具体客户或者料号来确定

Model	P/N Code	Rated Voltage	Operating Voltage Range	Rated Current	Rated Input Power	Speed	Maximum Air Flow		Maximum Air Pressure		Noise
型号	P/N 附加码	额定电压	工作电压范围	额定电流	额定输入功率	转速	最大风量		最大风压		噪音
PART.NO.	CY	VDC	VDC	Amp	Watt	R.P.M	M³/min	CFM	mmH2O	InH2O	dB-A
DA14038L12X		12	7.5~13.5	3.4	40.8	4500	5.223	184.55	24.37	0.959	63.2
DA14038M12X		12	7.5~13.5	5.1	61.2	5000	5.910	208.85	28.95	1.140	65.7
DA14038H12X		12	7.5~13.5	6.2	74.4	5500	6.404	226.3	30.86	1.215	69.3
DA14038HH12X		12	7.5~13.5	8.0	96	6000	7.028	248.33	33.6	1.323	71
DA14038VH12X		12	7.5~13.5	8.2	98.4	6500	7.531	266.11	37.58	1.480	74
DA14038L24X		24	7.5~13.5	1.65	39.6	4500	5.223	184.55	24.37	0.959	63.2
DA14038M24X		24	7.5~13.5	2.6	62.18	5000	5.910	208.85	28.95	1.140	65.7
DA14038H24X		24	7.5~13.5	3.0	72	5500	6.404	226.3	30.86	1.215	69.3
DA14038HH24X		24	7.5~13.5	3.8	91.2	6000	7.028	248.33	33.6	1.323	71
DA14038VH24X		24	7.5~13.5	4.11	98.64	6500	7.531	266.11	37.58	1.480	74
DA14038L48X		48	7.5~13.5	0.9	43.28	4500	5.223	184.55	24.37	0.959	63.2
DA14038M48X		48	7.5~13.5	1.31	62.88	5000	5.910	208.85	28.95	1.140	65.7
DA14038H48X		48	7.5~13.5	1.5	72	5500	6.404	226.3	30.86	1.215	69.3
DA14038HH48X		48	7.5~13.5	1.8	86.4	6000	7.028	248.33	33.6	1.323	71
DA14038VH48X		48	7.5~13.5	2.0	96	6500	7.531	266.11	37.58	1.480	74



TKFAN®

UL US CE RoHS

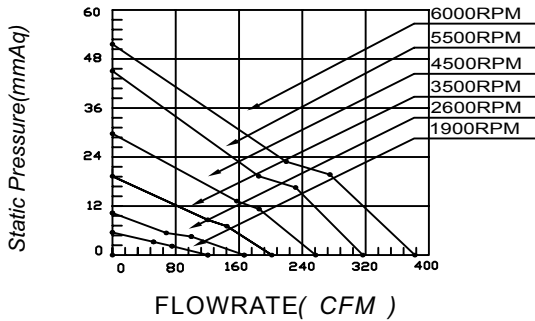
# DC Brushless FAN 140x140x38mm-D Type

版次Version 2022-3-24

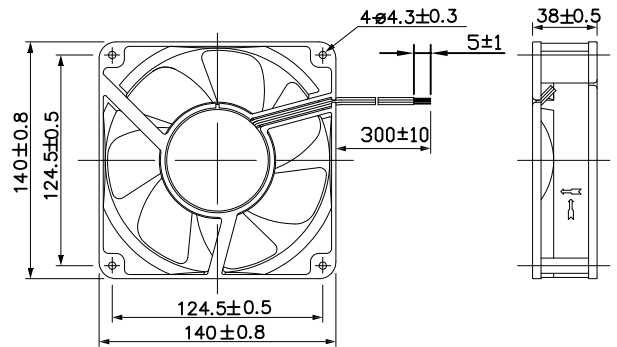
轴承结构：含油、液压、其他  
 Bearing: sleeve、HY、other  
 框外材质: 塑胶(等级:UL94V-0)  
 Frame:Plastic(Flammability:UL94V-0)  
 扇叶材质:塑胶:(等级:UL94V-0)  
 Impeller:Plastic:(Flammability:UL94V-0)  
 风扇单重:470g(Weight:470g)



## P@Q CURVE(AT RATEDVOLTAGE)



## DIMENSIONS DRAWING(unit:mm)



## 编码规则 Code Rule

例子 Example DCH12038H12B-DAH1701  
 DCH12038H12X-AY

Model No. is DCH12038H12X; Extro P/N code is AY

X means bearing type, can be S(sleeve bearing), can be B(ball bearing), can be Y(HY bearing), can be SU(sleeve with UL), can be BU(ball with UL), can be YU(HY with UL)

Y means special function code, it will be used for a certain parts no. or client.

产品型号 DCH12038H12X;附加代码 AY. X是一个不确定值,它代表了不同的轴承类型,

S(含油轴承),B(滚珠轴承),Y(液压轴承),SU(含油轴承带UL),BU(滚珠轴承带UL),YU(液压轴承带UL)

Y是一个不确定的值,它代表不同特殊风机功能,由具体客户或者料号来确定

Model	P/N Code	Rated Voltage	Operating Voltage Range	Rated Current	Rated Input Power	Speed	Maximum Air Flow		Maximum Air Pressure		Noise
型号	P/N 附加码	额定电压	工作电压范围	额定电流	额定输入功率	转速	最大风量		最大风压		噪音
PART.NO.	DY	VDC	VDC	Amp	Watt	R.P.M	M³/min	CFM	mmH2O	InH2O	dB-A
DA14038L12X		12	7.5~13.5	0.33	3.96	1900	3.314	117.1	5.2	0.209	38
DA14038M12X		12	7.5~13.5	0.73	8.76	2600	4.505	159.2	9.4	0.378	46
DA14038H12X		12	7.5~13.5	2.24	26.88	3500	6.271	221.6	19.7	0.776	58.8
DA14038HH12X		12	7.5~13.5	3.44	41.28	4500	7.998	282.6	30.3	1.193	67.5
DA14038VH12X		12	7.5~13.5	5.2	62.4	5500	9.854	348.2	45.9	1.807	74
DA14038HV12X		12	7.5~13.5	6.0	72.0	6000	10.714	378.6	51.1	2.012	77.2
DA14038L24X		24	18~26.5	0.17	3.96	1900	3.314	117.1	5.2	0.209	38
DA14038M24X		24	18~26.5	0.37	8.76	2600	4.505	159.2	9.4	0.378	46
DA14038H24X		24	18~26.5	1.12	26.88	3500	6.271	221.6	19.7	0.776	58.8
DA14038HH24X		24	18~26.5	1.72	41.28	4500	7.998	282.6	30.3	1.193	67.5
DA14038VH24X		24	18~26.5	2.6	62.4	5500	9.854	348.2	45.9	1.807	74
DA14038HV24X		24	18~26.5	3.0	72.0	6000	10.714	378.6	51.1	2.012	77.2
DA14038L48X		48	36~54	0.08	3.96	1900	3.314	117.1	5.2	0.209	38
DA14038M48X		48	36~54	0.18	8.76	2600	4.505	159.2	9.4	0.378	46
DA14038H48X		48	36~54	0.56	26.88	3500	6.271	221.6	19.7	0.776	58.8
DA14038HH48X		48	36~54	0.86	41.28	4500	7.998	282.6	30.3	1.193	67.5
DA14038VH48X		48	36~54	1.3	62.4	5500	9.854	348.2	45.9	1.807	74
DA14038HV48X		48	36~54	1.5	72.0	6000	10.714	378.6	51.1	2.012	77.2



TKFAN®

UL US CE RoHS

# DC Brushless FAN Ø150x38mm-B Type

版次 Version 2024-9-19



轴承结构：双滚珠

Bearing: Two ball

框外材质: 塑胶:(等级:UL94V-0)

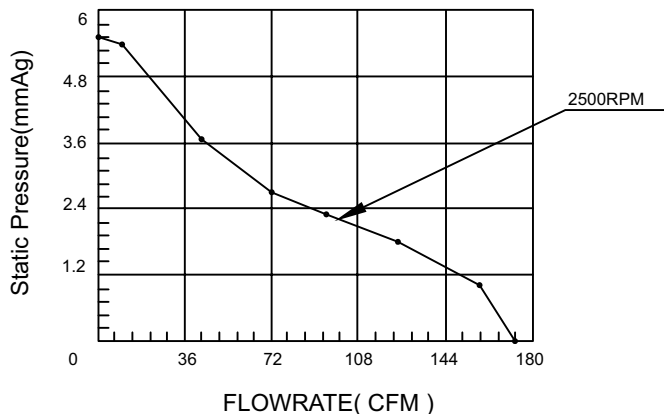
Frame:Plastic:(Flammability:UL94V-0)

扇叶材质:塑胶:(等级:UL94V-0)

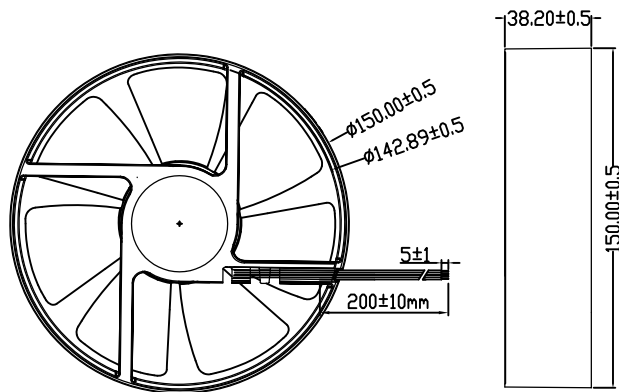
Impeller:Plastic:(Flammability:UL94V-0)

风扇单重:310g(Weight:310g)

## P@Q CURVE(AT RATEDVOLTAGE)



## DIMENSIONS DRAWING(unit:mm)



## 编码规则 Code Rule

例子 Example DCH12038H12B-A1701  
DCH12038H12X-AY

Model No. is DCH12038H12X; Extro P/N code is AY

X means bearing type, can be S (sleeve bearing), can be B (ball bearing), can be Y (HY bearing), can be SU (sleeve with UL), can be BU (ball with UL), can be YU (HY with UL)

Y means special function code, it will be used for a certain parts no. or client.

产品型号 DCH12038H12X; 附加代码 AY. X 是一个不确定值, 它代表了不同的轴承类型,

S (含油轴承), B (滚珠轴承), Y (液压轴承), SU (含油轴承带UL), BU (滚珠轴承带UL), YU (液压轴承带UL)

Y 是一个不确定的值, 它代表不同特殊风机功能, 由具体客户或者料号来确定

Model	P/N Code	Rated Voltage	Operating Voltage Range	Rated Current	Rated Input Power	Speed	Maximum Air Flow		Maximum Air Pressure		Noise
							M³/min	CFM	mmH2O	InH2O	
型号	P/N 附加码	额定电压	工作电压范围	额定电流	额定输入功率	转速	最大风量		最大风压		噪音
PART.NO.	BY	VDC	VDC	Amp	Watt	R.P.M	M³/min	CFM	mmH2O	InH2O	dB-A
DA15038H12X		12	7.5 ~13.5	0.6	7.2	2500	4.9	173.2	5.5	0.22	52
DA15038H24X		24	18 ~26.5	0.3	7.2	2500	4.9	173.2	5.5	0.22	52
DA15038H48X		48	36~54	0.15	7.2	2500	4.9	173.2	5.5	0.22	52



TKFAN®

UL US CE RoHS

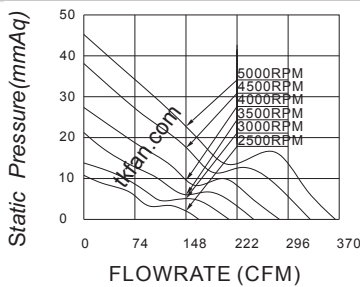
# DC Brushless FAN 150x150x50mm-A Type

版次Version 2017-4-12

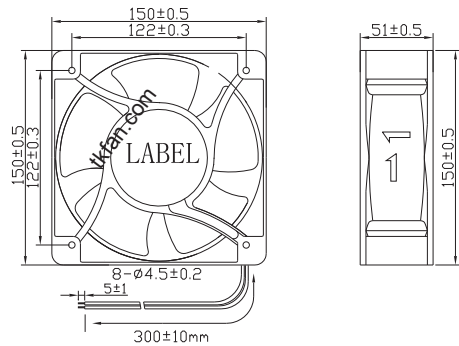
轴承结构：双滚珠  
Bearing: two ball  
框外材质: Aluminum(等级:UL94V-0)  
Frame:Aluminum(Flammability:UL94V-0)  
扇叶材质:塑胶:(等级:UL94V-0)  
Impeller:Plastic:(Flammability:UL94V-0)  
风扇单重:700g(Weight:700g)



## P@Q CURVE(AT RATEDVOLTAGE)



## DIMENSIONS DRAWING(unit:mm)



## 编码规则 Code Rule

例子 Example DCH12038H12B-DCH1701  
DCH12038H12X-AY

Model No. is DCH12038H12X; Exro P/N code is AY

X means bearing type, can be S(sleeve bearing), can be B(ball bearing), can be Y(HY bearing), can be SU(sleeve with UL), can be BU(ball with UL), can be YU(HY with UL)

Y means special function code, it will be used for a certain parts no. or client.

产品型号 DCH12038H12X;附加代码 AY. X是一个不确定值,它代表了不同的轴承类型,

S(含油轴承),B(滚珠轴承),Y(液压轴承),SU(含油轴承带UL),BU(滚珠轴承带UL),YU(液压轴承带UL)

Y是一个不确定的值,它代表不同特殊风机功能,由具体客户或者料号来确定

Model	P/N Code	Rated Voltage	Operating Voltage Range	Rated Current	Rated Input Power	Speed	Maximum Air Flow		Maximum Air Pressure		Noise
型号	P/N 附加码	额定电压	工作电压范围	额定电流	额定输入功率	转速	最大风量		最大风压		噪音
PART.NO.	AY	VDC	VDC	Amp	Watt	R.P.M	M³/min	CFM	mmH2O	InH2O	dB-A
DA15050L12X		12	7~13.5	0.8	9.6	2500	4.877	172.21	10.92	0.430	56.1
DA15050M12X		12	7~13.5	2.4	28.8	3000	5.930	209.40	15.33	0.604	58.3
DA15050H12X		12	7~13.5	4.41	53	3500	7.026	248.09	21.33	0.840	62.5
DA15050HH12X		12	7~13.5	6	72	4000	8.015	283.00	27.36	1.077	65.5
DA15050VH12X		12	7~13.5	7.6	91.2	4500	9.220	325.57	37.57	1.479	68.2
DA15050HV12X		12	7~13.5	10	120	5000	10.243	361.69	45.36	1.786	71.4
DA15050L24X		24	18~26.5	0.4	9.6	2500	4.877	172.21	10.92	0.430	56.1
DA15050M24X		24	18~26.5	1.2	28.8	3000	5.930	209.40	15.33	0.604	58.3
DA15050H24X		24	18~26.5	2.2	53	3500	7.026	248.09	21.33	0.840	62.5
DA15050HH24X		24	18~26.5	3	72	4000	8.015	283.00	27.36	1.077	65.5
DA15050VH24X		24	18~26.5	3.8	91.2	4500	9.220	325.57	37.57	1.479	68.2
DA15050HV24X		24	18~26.5	5	120	5000	10.243	361.69	45.36	1.786	71.4
DA15050L48X		48	36~54	0.2	9.6	2500	4.877	172.21	10.92	0.430	56.1
DA15050M48X		48	36~54	0.6	28.8	3000	5.930	209.40	15.33	0.604	58.3
DA15050H48X		48	36~54	1.1	53	3500	7.026	248.09	21.33	0.840	62.5
DA15050HH48X		48	36~54	1.5	72	4000	8.015	283.00	27.36	1.077	65.5
DA15050VH48X		48	36~54	1.9	91.2	4500	9.220	325.57	37.57	1.479	68.2
DA15050HV48X		48	36~54	2.5	120	5000	10.243	361.69	45.36	1.786	71.4



TKFAN®

UL US CE RoHS

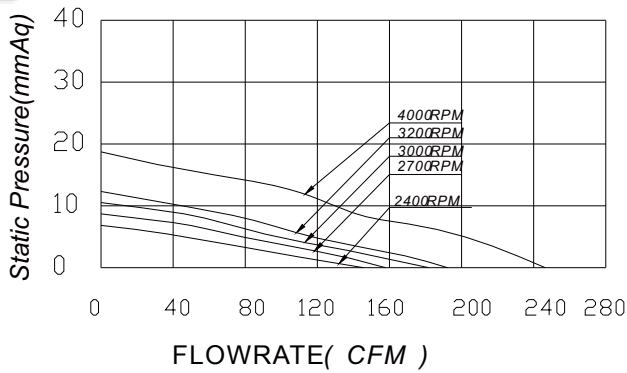
# DC Brushless FAN 172x150x25mm-A Type

版次Version 2018-9-3

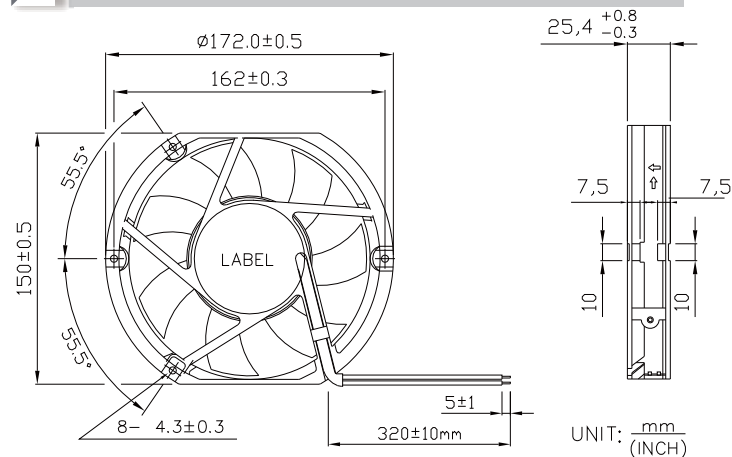
轴承结构：双滚珠、含油、液压、其他  
 Bearing: two ball、sleeve、HY、other  
 框外材质: 塑胶(等级:UL94V-0)  
 Frame:Plastic(Flammability:UL94V-0)  
 扇叶材质:塑胶:(等级:UL94V-0)  
 Impeller:Plastic:(Flammability:UL94V-0)  
 风扇单重:430g(Weight:430g)



## P@Q CURVE(AT RATEDVOLTAGE)



## DIMENSIONS DRAWING(unit:mm)



## 编码规则 Code Rule

例子 Example DCH12038H12B-DCH1701  
 DCH12038H12X-AY

Model No. is DCH12038H12X; Extro P/N code is AY  
 X means bearing type, can be S(sleeve bearing), can be B(ball bearing), can be Y(HY bearing), can be SU(sleeve with UL), can be BU(ball with UL), can be YU(HY with UL)  
 Y means special function code, it will be used for a certain parts no. or client.  
 产品型号 DCH12038H12X; 附加代码 AY. X是一个不确定值, 它代表了不同的轴承类型,  
 S(含油轴承), B(滚珠轴承), Y(液压轴承), SU(含油轴承带UL), BU(滚珠轴承带UL), YU(液压轴承带UL)  
 Y是一个不确定的值, 它代表不同特殊风机功能, 由具体客户或者料号来确定

Model	P/N Code	Rated Voltage	Operating Voltage Range	Rated Current	Rated Input Power	Speed	Maximum Air Flow		Maximum Air Pressure		Noise
型号	P/N 附加码	额定电压	工作电压范围	额定电流	额定输入功率	转速	最大风量		最大风压		噪音
PART.NO.	AY	VDC	VDC	Amp	Watt	R.P.M	M³/mi	CFM	mmH2O	InH2O	dB-A
DA17225L12X		12	7.5~13.5	0.56	6.72	2400	4.110	145.16	6.92	0.272	48.1
DA17225M12X		12	7.5~13.5	0.76	9.12	2700	4.508	159.2	8.79	0.346	51
DA17225H12X		12	7.5~13.5	0.98	11.76	3000	5.313	181.22	10.47	0.412	54.1
DA17225HH12X		12	7.5~13.5	1.17	14.04	3200	5.456	192.68	12.11	0.476	55.7
DA17225VH12X		12	7.5~13.5	3.0	36.00	4000	6.966	246.03	18.74	0.737	62.90
DA17225L24X		24	18~26.5	0.31	7.44	2400	4.110	145.16	6.92	0.272	48.1
DA17225M24X		24	18~26.5	0.40	9.60	2700	4.508	159.2	8.79	0.346	51
DA17225H24X		24	18~26.5	0.50	12.00	3000	5.313	181.22	10.47	0.412	54.1
DA17225HH24X		24	18~26.5	0.62	14.88	3200	5.456	192.68	12.11	0.476	55.7
DA17225VH24X		24	18~26.5	1.60	38.40	4000	6.966	246.03	18.74	0.737	62.90
DA17225L48X		48	36~54	0.17	8.16	2400	4.110	145.16	6.92	0.272	48.1
DA17225M48X		48	36~54	0.22	10.56	2700	4.508	159.2	8.79	0.346	51
DA17225H48X		48	36~54	0.27	12.96	3000	5.313	181.22	10.47	0.412	54.1
DA17225HH48X		48	36~54	0.31	14.88	3200	5.456	192.68	12.11	0.476	55.7
DA17225VH48X		48	36~54	0.80	38.40	4000	6.966	246.03	18.74	0.737	62.90



TKFAN®

UL US CE RoHS

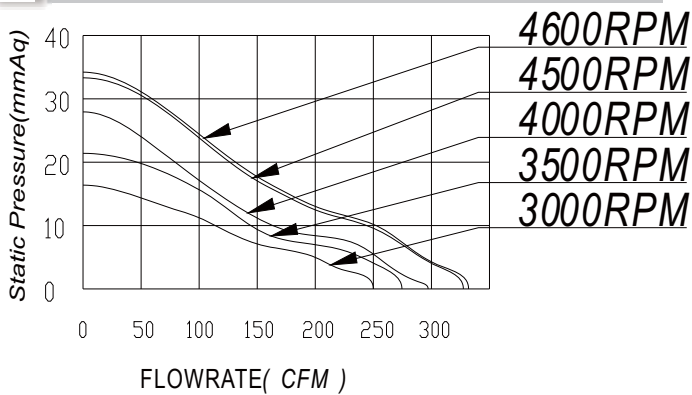
# DC Brushless FAN 172x150x38mm-A Type

版次Version 2019-10-15

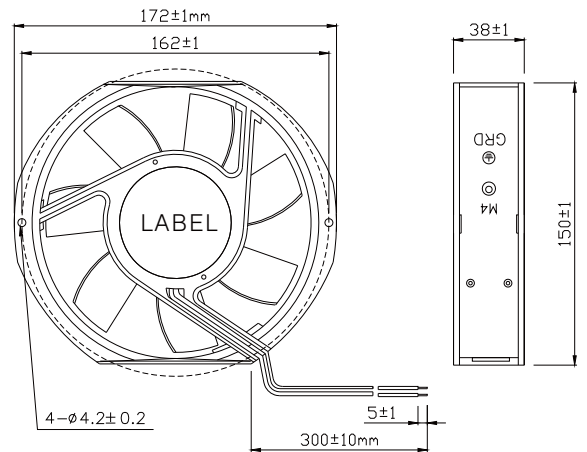
轴承结构：双滚珠、含油、液压、其他  
 Bearing: two ball、sleeve、HY、other  
 框外材质: 吕(等级:UL94V-0)  
 Frame:Aluminum(Flammability:UL94V-0)  
 扇叶材质:塑胶:(等级:UL94V-0)  
 Impeller:Plastic:(Flammability:UL94V-0)  
 风扇单重:515g(Weight:515g)



## P@Q CURVE(AT RATEDVOLTAGE)



## DIMENSIONS DRAWING(unit:mm)



## 编码规则 Code Rule

例子 Example DCH12038H12B-DAH1701  
 DCH12038H12X-AY

Model No. is DCH12038H12X; Extro P/N code is AY  
 X means bearing type, can be S(sleeve bearing), can be B(ball bearing), can be Y(HY bearing), can be SU(sleeve with UL), can be BU(ball with UL), can be YU(HY with UL)  
 Y means special function code, it will be used for a certain parts no. or client.  
 产品型号 DCH12038H12X; 附加代码 AY. X是一个不确定值, 它代表了不同的轴承类型,  
 S(含油轴承), B(滚珠轴承), Y(液压轴承), SU(含油轴承带UL), BU(滚珠轴承带UL), YU(液压轴承带UL)  
 Y是一个不确定的值, 它代表不同特殊风机功能, 由具体客户或者料号来确定

Model	P/N Code	Rated Voltage	Operating Voltage Range	Rated Current	Rated Input Power	Speed	Maximum Air Flow		Maximum Air Pressure		Noise
型号	P/N 附加码	额定电压	工作电压范围	额定电流	额定输入功率	转速	最大风量		最大风压		噪音
PART.NO.	AY	VDC	VDC	Amp	Watt	R.P.M	M³/min	CFM	mmH2O	InH2O	dB-A
DA17238M12X		12	7.5~13.5	0.76	9.12	3000	6.287	222.17	16.38	0.645	60.9
DA17238H12X		12	7.5~13.5	0.98	11.76	3500	7.278	257.17	21.34	0.840	64.3
DA17238HH12X		12	7.5~13.5	1.17	14.04	4000	8.410	297.16	27.94	1.100	68.4
DA17238VH12X		12	7.5~13.5	3.0	36	4600	9.401	332.18	34.21	1.347	71.2
DA17238M24X		24	18~26.5	0.4	9.6	3000	6.287	222.17	16.38	0.645	60.9
DA17238H24X		24	18~26.5	0.5	12	3500	7.278	257.17	21.34	0.840	64.3
DA17238HH24X		24	18~26.5	0.62	14.88	4000	8.410	297.16	27.94	1.100	68.4
DA17238VH24X		24	18~26.5	1.6	38.4	4600	9.401	332.18	34.21	1.347	71.2
DA17238M48X		48	36~54	0.22	10.56	3000	6.287	222.17	16.38	0.645	60.9
DA17238H48X		48	36~54	0.27	12.96	3500	7.278	257.17	21.34	0.840	64.3
DA17238HH48X		48	36~54	0.31	14.88	4000	8.410	297.16	27.94	1.100	68.4
DA17238VH48X		48	36~54	0.8	38.4	4600	9.401	332.18	34.21	1.347	71.2



TKFAN®

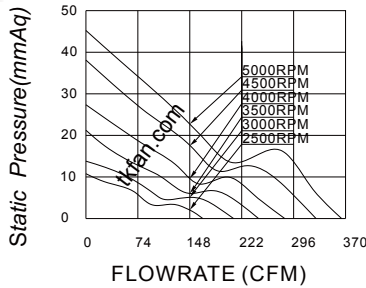
UL US CE RoHS

# DC Brushless FAN 172x150x51mm-A Type 版次Version 2017-4-12

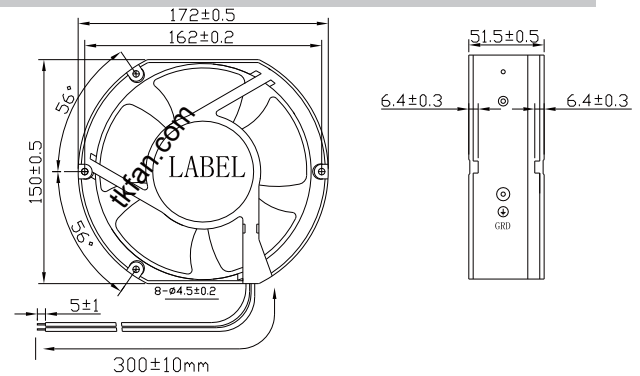
轴承结构：双滚珠  
Bearing: two ball  
框外材质: Aluminum(等级:UL94V-0)  
Frame:Aluminum(Flammability:UL94V-0)  
扇叶材质:塑胶:(等级:UL94V-0)  
Impeller:Plastic:(Flammability:UL94V-0)  
风扇单重:710g(Weight:710g)



## P@Q CURVE(AT RATEDVOLTAGE)



## DIMENSIONS DRAWING(unit:mm)



## 编码规则 Code Rule

例子 Example DCH12038H12B-DCH1701  
DCH12038H12X-AY

Model No. is DCH12038H12X; Exro P/N code is AY  
X means bearing type, can be S(sleeve bearing), can be B(ball bearing), can be Y(HY bearing), can be SU(sleeve with UL), can be BU(ball with UL), can be YU(HY with UL)  
Y means special function code, it will be used for a certain parts no. or client.  
产品型号 DCH12038H12X;附加代码 AY. X是一个不确定值,它代表了不同的轴承类型,  
S(含油轴承),B(滚珠轴承),Y(液压轴承),SU(含油轴承带UL),BU(滚珠轴承带UL),YU(液压轴承带UL)  
Y是一个不确定的值,它代表不同特殊风机功能,由具体客户或者料号来确定

Model	P/N Code	Rated Voltage	Operating Voltage Range	Rated Current	Rated Input Power	Speed	Maximum Air Flow		Maximum Air Pressure		Noise
型号	P/N 附加码	额定电压	工作电压范围	额定电流	额定输入功率	转速	最大风量		最大风压		噪音
PART.NO.	AY	VDC	VDC	Amp	Watt	R.P.M	M³/min	CFM	mmH2O	InH2O	dB-A
DA17251L12X		12	7~13.5	0.8	9.6	2500	4.877	172.21	10.92	0.430	56.1
DA17251M12X		12	7~13.5	2.4	28.8	3000	5.930	209.40	15.33	0.604	58.3
DA17251H12X		12	7~13.5	4.41	53	3500	7.026	248.09	21.33	0.840	62.5
DA17251HH12X		12	7~13.5	6	72	4000	8.015	283.00	27.36	1.077	65.5
DA17251VH12X		12	7~13.5	7.6	91.2	4500	9.220	325.57	37.57	1.479	68.2
DA17251HV12X		12	7~13.5	10	120	5000	10.243	361.69	45.36	1.786	71.4
DA17251L24X		24	18~26.5	0.4	9.6	2500	4.877	172.21	10.92	0.430	56.1
DA17251M24X		24	18~26.5	1.2	28.8	3000	5.930	209.40	15.33	0.604	58.3
DA17251H24X		24	18~26.5	2.2	53	3500	7.026	248.09	21.33	0.840	62.5
DA17251HH24X		24	18~26.5	3	72	4000	8.015	283.00	27.36	1.077	65.5
DA17251VH24X		24	18~26.5	3.8	91.2	4500	9.220	325.57	37.57	1.479	68.2
DA17251HV24X		24	18~26.5	5	120	5000	10.243	361.69	45.36	1.786	71.4
DA17251L48X		48	36~54	0.2	9.6	2500	4.877	172.21	10.92	0.430	56.1
DA17251M48X		48	36~54	0.6	28.8	3000	5.930	209.40	15.33	0.604	58.3
DA17251H48X		48	36~54	1.1	53	3500	7.026	248.09	21.33	0.840	62.5
DA17251HH48X		48	36~54	1.5	72	4000	8.015	283.00	27.36	1.077	65.5
DA17251VH48X		48	36~54	1.9	91.2	4500	9.220	325.57	37.57	1.479	68.2
DA17251HV48X		48	36~54	2.5	120	5000	10.243	361.69	45.36	1.786	71.4



TKFAN®

UL US CE RoHS

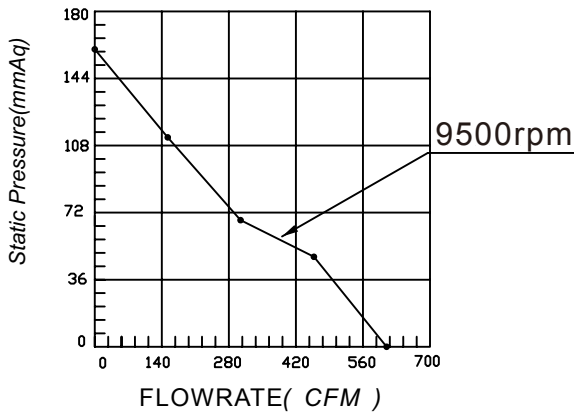
# DC Brushless FAN 172x150x51mm-BType

版次Version 2022-3-9

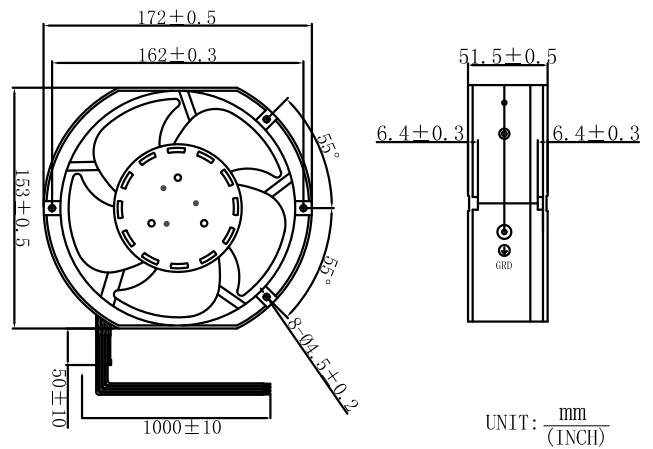
轴承结构：双滚珠  
 Bearing: Two ball  
 框外材质: 铝(等级:UL94V-0)  
 Frame:Aluminum(Flammability:UL94V-0)  
 扇叶材质:塑料(等级:UL94V-0)  
 Impeller:Plastic(Flammability:UL94V-0)  
 风扇单重:817g(Weight:817g)



## P@Q CURVE(AT RATEDVOLTAGE)



## DIMENSIONS DRAWING(unit:mm)



## 编码规则 Code Rule

例子 Example DCH12038H12B-A1701  
 DCH12038H12X-AY

Model No. is DCH12038H12X; Extro P/N code is AY  
 X means bearing type, can be S(sleeve bearing), can be B(ball bearing), can be Y(HY bearing), can be SU(sleeve with UL), can be BU(ball with UL), can be YU(HY with UL)  
 Y means special function code, it will be used for a certain parts no. or client.  
 产品型号 DCH12038H12X;附加代码 AY. X是一个不确定值,它代表了不同的轴承类型,  
 S(含油轴承),B(滚珠轴承),Y(液压轴承),SU(含油轴承带UL),BU(滚珠轴承带UL),YU(液压轴承带UL)  
 Y是一个不确定的值,它代表不同特殊风机功能,由具体客户或者料号来确定

Model	P/N Code	Rated Voltage	Operating Voltage Range	Rated Current	Rated Input Power	Speed	Maximum Air Flow		Maximum Air Pressure		Noise
型号	P/N 附加码	额定电压	工作电压范围	额定电流	额定输入功率	转速	最大风量		最大风压		噪音
PART.NO.	BY	VDC	VDC	Amp	Watt	R.P.M	M³/min	CFM	mmH2O	InH2O	dB-A
DA17251HV12X		12	7~13.5	14	168	9500	17.07	603.20	158.02	6.22	70.0
DA17251HV24X		24	18~26.5	7.0	168	9500	17.07	603.20	158.02	6.22	70.0
DA17251HV48X		48	36~54	3.5	168	9500	17.07	603.20	158.02	6.22	70.0



TKFAN®

UL US CE RoHS

# DC Brushless FAN Ø172x51mm-C Type

版次 Version 2022-10-25

轴承结构：双滚珠

Bearing: Two ball

框外材质: 铝(等级:UL94V-0)

Frame:Aluminum(Flammability:UL94V-0)

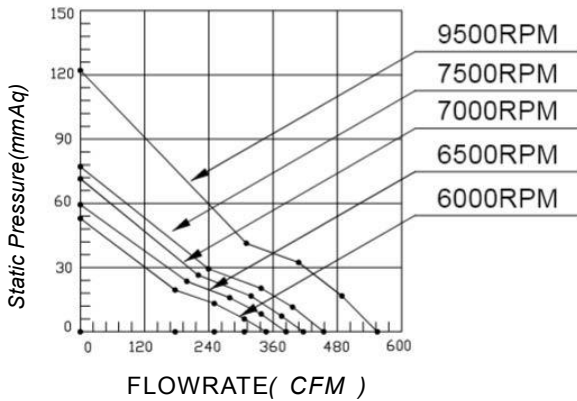
扇叶材质:塑胶:(等级:UL94V-0)

Impeller:Plastic:(Flammability:UL94V-0)

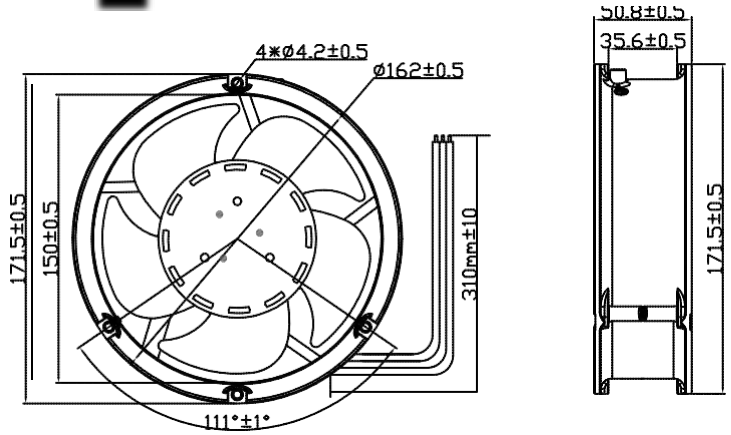
风扇单重:880g(Weight:880g)



## P@Q CURVE(AT RATEDVOLTAGE)



## DIMENSIONS DRAWING(unit:mm)



UNIT:  $\frac{mm}{(INCH)}$

## 编码规则 Code Rule

例子 Example DCH12038H12B-A1701  
DCH12038H12X-AY

Model No. is DCH12038H12X; Extro P/N code is AY

X means bearing type, can be S(sleeve bearing), can be B(ball bearing), can be Y(HY bearing), can be SU(sleeve with UL), can be BU(ball with UL), can be YU(HY with UL)

Y means special function code, it will be used for a certain parts no. or client.

产品型号 DCH12038H12X; 附加代码 AY. X是一个不确定值, 它代表了不同的轴承类型,

S(含油轴承), B(滚珠轴承), Y(液压轴承), SU(含油轴承带UL), BU(滚珠轴承带UL), YU(液压轴承带UL)

Y是一个不确定的值, 它代表不同特殊风机功能, 由具体客户或者料号来确定

Model	P/N Code	Rated Voltage	Operating Voltage Range	Rated Current	Rated Input Power	Speed	Maximum Air Flow		Maximum Air Pressure		Noise
型号	P/N 附加码	额定电压	工作电压范围	额定电流	额定输入功率	转速	最大风量	最大风量	最大风压	最大风压	噪音
PART.NO.	CY	VDC	VDC	Amp	Watt	R.P.M	M³/min	CFM	mmH2O	InH2O	dB-A
DA17251L12X		12	7~13.5	4	48	6000	9.83	347.1	52.9	2.08	68.3
DA17251M12X		12	7~13.5	5.5	66	6500	10.88	384.2	59.4	2.34	69.5
DA17251H12X		12	7~13.5	5.6	67.2	7000	11.79	416.4	71.5	2.82	70.5
DA17251HH12X		12	7~13.5	7	84	7500	12.87	454.6	77.1	3.04	74.3
DA17251L24X		24	18~26.5	2.0	48	6000	9.83	347.1	52.9	2.08	68.3
DA17251M24X		24	18~26.5	2.75	66	6500	10.88	384.2	59.4	2.34	69.5
DA17251H24X		24	18~26.5	2.8	67.2	7000	11.79	416.4	71.5	2.82	70.5
DA17251HH24X		24	18~26.5	3.5	84	7500	12.87	454.6	77.1	3.04	74.3
DA17251VH24X		24	18~26.5	6.4	153.6	9500	15.70	554.6	122.1	4.81	80.2
DA17251L48X		48	36~54	1	48	6000	9.83	347.1	52.9	2.08	68.3
DA17251M48X		48	36~54	1.375	66	6500	10.88	384.2	59.4	2.34	69.5
DA17251H48X		48	36~54	1.4	67.2	7000	11.79	416.4	71.5	2.82	70.5
DA17251HH48X		48	36~54	1.75	84	7500	12.87	454.6	77.1	3.04	74.3
DA17251VH48X		48	36~54	3.2	153.6	9500	15.70	554.6	122.1	4.81	80.2



TKFAN®

UL US CE RoHS

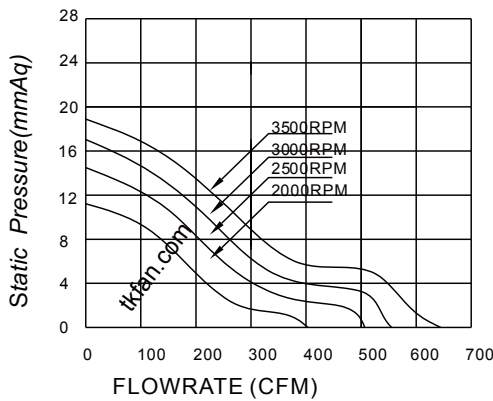
# DC Brushless FAN 200x200x60mm-A Type

版次Version 2017-4-12

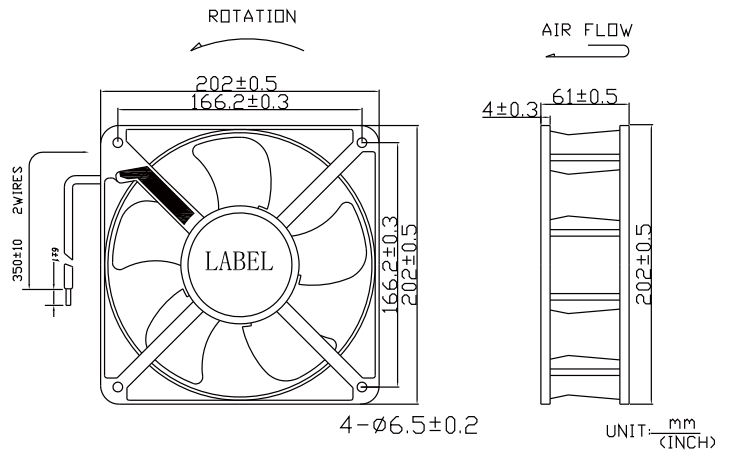
轴承结构：双滚珠、含油  
 Bearing: two ball、sleeve  
 框外材质: 铝(等级:UL94V-0)  
 Frame:Aluminum(Flammability:UL94V-0)  
 扇叶材质:塑胶:(等级:UL94V-0)  
 Impeller:Plastic:(Flammability:UL94V-0)  
 风扇单重:2400g(Weight:2400g)



## P@Q CURVE(AT RATEDVOLTAGE)



## DIMENSIONS DRAWING(unit:mm)



## 编码规则 Code Rule

例子 Example DCH12038H12B-A1701  
 DCH12038H12X-AY

Model No. is DCH12038H12X; Extro P/N code is AY

X means bearing type, can be S(sleeve bearing), can be B(ball bearing), can be Y(HY bearing), can be SU(sleeve with UL), can be BU(ball with UL), can be YU(HY with UL)

Y means special function code, it will be used for a certain parts no. or client.

产品型号 DCH12038H12X;附加代码 AY. X是一个不确定值,它代表了不同的轴承类型,

S(含油轴承),B(滚珠轴承),Y(液压轴承),SU(含油轴承带UL),BU(滚珠轴承带UL),YU(液压轴承带UL)

Y是一个不确定的值,它代表不同特殊风机功能,由具体客户或者料号来确定

Model	P/N Code	Rated Voltage	Operating Voltage Range	Rated Current	Rated Input Power	Speed	Maximum Air Flow		Maximum Air Pressure		Noise
型号	P/N 附加码	额定电压	工作电压范围	额定电流	额定输入功率	转速	最大风量		最大风压		噪音
PART.NO.	AY	VDC	VDC	Amp	Watt	R.P.M	M³/min	CFM	mmH2O	InH2O	dB-A
DA20060M12X		12	7~13.5	1.65	19.8	2000	11.38	400.58	6.65	0.262	54.6
DA20060H12X		12	7~13.5	2.92	35.04	2500	14.585	513.39	12.15	0.478	60.0
DA20060HH12X		12	7~13.5	4.73	56.76	3000	16.673	586.69	17.28	0.68	63.6
DA20060VH12X		12	7~13.5	7.4	88.8	3500	18.341	645.61	22.02	0.867	68.5
DA20060M24X		24	18~26.5	0.78	18.82	2000	11.38	400.58	6.65	0.262	54.6
DA20060H24X		24	18~26.5	1.39	33.36	2500	14.585	513.39	12.15	0.478	60.0
DA20060HH24X		24	18~26.5	2.25	54.0	3000	16.673	586.69	17.28	0.68	63.6
DA20060VH24X		24	18~26.5	3.52	84.38	3500	18.341	645.61	22.02	0.867	68.5
DA20060M48X		48	36~54	0.37	17.86	2000	11.38	400.58	6.65	0.262	54.6
DA20060H48X		48	36~54	0.66	31.68	2500	14.585	513.39	12.15	0.478	60.0
DA20060HH48X		48	36~54	1.07	51.36	3000	16.673	586.69	17.28	0.68	63.6
DA20060VHH48X		48	36~54	1.67	80.16	3500	18.341	645.61	22.02	0.867	68.5



TKFAN®

C US CE RoHS

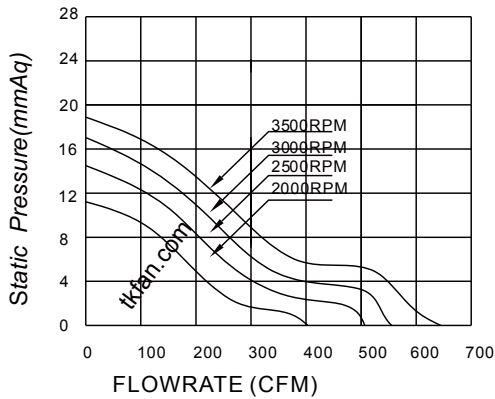
# DC Brushless FAN Ø220x60mm-A Type

版次Version 2017-4-12

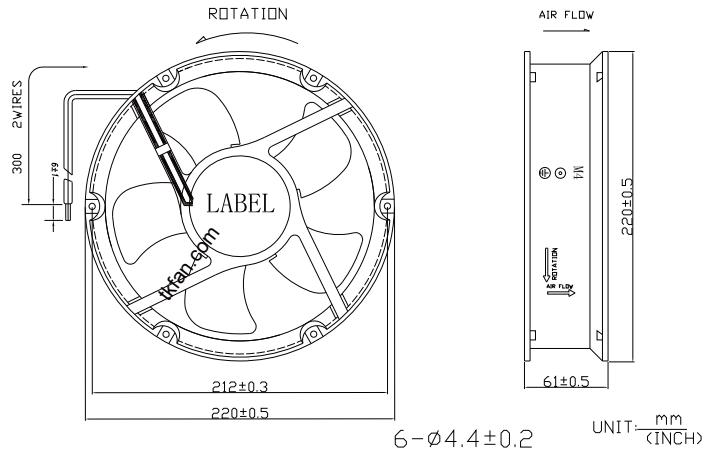
轴承结构：双滚珠、含油  
Bearing: two ball、sleeve  
框外材质: 铝(等级:UL94V-0)  
Frame:Aluminum(Flammability:UL94V-0)  
扇叶材质:塑胶:(等级:UL94V-0)  
Impeller:Plastic:(Flammability:UL94V-0)  
风扇单重:2400g(Weight:2400g)



## P@Q CURVE(AT RATEDVOLTAGE)



## DIMENSIONS DRAWING(unit:mm)



## 编码规则 Code Rule

例子 Example DCH12038H12B-A1701  
DCH12038H12X-AY

Model No. is DCH12038H12X; Extro P/N code is AY

X means bearing type, can be S(sleeve bearing), can be B(ball bearing), can be Y(HY bearing), can be SU(sleeve with UL), can be BU(ball with UL), can be YU(HY with UL)

Y means special function code, it will be used for a certain parts no. or client.

产品型号 DCH12038H12X;附加代码 AY. X是一个不确定值,它代表了不同的轴承类型,

S(含油轴承),B(滚珠轴承),Y(液压轴承),SU(含油轴承带UL),BU(滚珠轴承带UL),YU(液压轴承带UL)

Y是一个不确定的值,它代表不同特殊风机功能,由具体客户或者料号来确定

Model	P/N Code	Rated Voltage	Operating Voltage Range	Rated Current	Rated Input Power	Speed	Maximum Air Flow		Maximum Air Pressure		Noise
型号	P/N 附加码	额定电压	工作电压范围	额定电流	额定输入功率	转速	最大风量		最大风压		噪音
PART.NO.	AY	VDC	VDC	Amp	Watt	R.P.M	M³/min	CFM	mmH2O	InH2O	dB-A
DA22060M12X		12	7~13.5	1.65	19.8	2000	11.38	400.58	6.65	0.262	54.6
DA22060H12X		12	7~13.5	2.92	35.04	2500	14.585	513.39	12.15	0.478	60.0
DA22060HH12X		12	7~13.5	4.73	56.76	3000	16.673	586.69	17.28	0.68	63.6
DA22060VH12X		12	7~13.5	7.4	88.8	3500	18.341	645.61	22.02	0.867	68.5
DA22060M24X		24	18~26.5	0.78	18.82	2000	11.38	400.58	6.65	0.262	54.6
DA22060H24X		24	18~26.5	1.39	33.36	2500	14.585	513.39	12.15	0.478	60.0
DA22060HH24X		24	18~26.5	2.25	54.0	3000	16.673	586.69	17.28	0.68	63.6
DA22060VH24X		24	18~26.5	3.52	84.38	3500	18.341	645.61	22.02	0.867	68.5
DA22060M48X		48	36~54	0.37	17.86	2000	11.38	400.58	6.65	0.262	54.6
DA22060H48X		48	36~54	0.66	31.68	2500	14.585	513.39	12.15	0.478	60.0
DA22060HH48X		48	36~54	1.07	51.36	3000	16.673	586.69	17.28	0.68	63.6
DA22060VHH48X		48	36~54	1.67	80.16	3500	18.341	645.61	22.02	0.867	68.5



TKFAN®

UL US CE RoHS

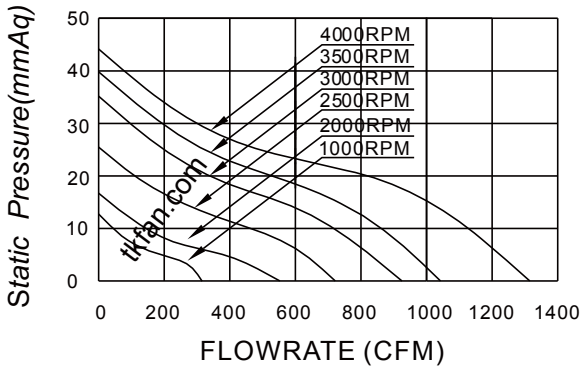
# DC Brushless FAN Ø254x89mm-A Type

版次Version 2017-4-12

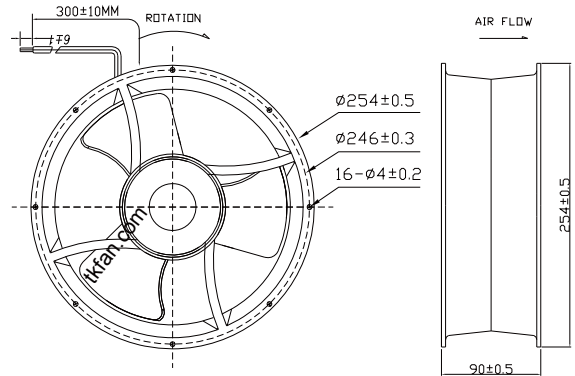
轴承结构：双滚珠  
Bearing: two ball  
框外材质: 铝(等级:UL94V-0)  
Frame:Aluminum(Flammability:UL94V-0)  
扇叶材质:塑胶:(等级:UL94V-0)  
Impeller:Plastic:(Flammability:UL94V-0)  
风扇单重:2600g(Weight:2600g)



## P@Q CURVE(AT RATEDVOLTAGE)



## DIMENSIONS DRAWING(unit:mm)



UNIT: mm (INCH)

## 编码规则 Code Rule

例子 Example DCH12038H12B-A1701  
DCH12038H12X-AY

Model No. is DCH12038H12X; Extro P/N code is AY

X means bearing type, can be S(sleeve bearing), can be B(ball bearing), can be Y(HY bearing), can be SU(sleeve with UL), can be BU(ball with UL), can be YU(HY with UL)

Y means special function code, it will be used for a certain parts no. or client.

产品型号 DCH12038H12X;附加代码 AY. X是一个不确定值,它代表了不同的轴承类型,

S(含油轴承),B(滚珠轴承),Y(液压轴承),SU(含油轴承带UL),BU(滚珠轴承带UL),YU(液压轴承带UL)

Y是一个不确定的值,它代表不同特殊风机功能,由具体客户或者料号来确定

Model	P/N Code	Rated Voltage	Operating Voltage Range	Rated Current	Rated Input Power	Speed	Maximum Air Flow		Maximum Air Pressure		Noise
型号	P/N 附加码	额定电压	工作电压范围	额定电流	额定输入功率	转速	最大风量		最大风压		噪音
PART.NO.	AY	VDC	VDC	Amp	Watt	R.P.M	M³/min	CFM	mmH2O	InH2O	dB-A
DA25489L12X		12	7~13.5	0.75	9	1000	8067	305.3	11.80	0.46	53.4
DA25489M12X		12	7~13.5	3.5	42	2000	15.58	548.6	15.4	0.61	66.1
DA25489H12X		12	7~13.5	5.5	66	2500	19.64	691.8	24.7	0.97	71.2
DA25489L24X		24	18~26.5	0.5	12	1000	8067	305.3	11.80	0.46	53.4
DA25489M24X		24	18~26.5	1.5	36	2000	15.58	548.6	15.4	0.61	66.1
DA25489H24X		24	18~26.5	2.9	69.6	2500	19.64	691.8	24.7	0.97	71.2
DA25489HH24X		24	18~26.5	3.7	88.8	3000	24.07	847.8	32.6	1.28	75.6
DA25489VH24X		24	18~26.5	5.7	136.8	3500	29.4	1035.6	38.6	1.52	80.4
DA25489HV24X		24	18~26.5	7.8	187.2	4000	36.81	1296.4	42.1	1.66	89.6
DA25489L48X		48	36~54	0.2	9.6	1000	8067	305.3	11.80	0.46	53.4
DA25489M48X		48	36~54	0.8	38.4	2000	15.58	548.6	15.4	0.61	66.1
DA25489H48X		48	36~54	1.4	67.2	2500	19.64	691.8	24.7	0.97	71.2
DA25489HH48X		48	36~54	1.9	91.2	3000	24.07	847.8	32.6	1.28	75.6
DA25489VH48X		48	36~54	3	144	3500	29.4	1035.6	38.6	1.52	80.4
DA25489HV48X		48	36~54	4	192	4000	36.81	1296.4	42.1	1.66	89.6



TKFAN®

UL US CE RoHS

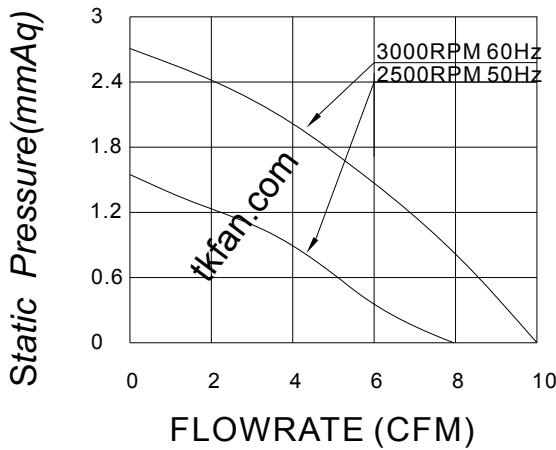
# AC Brushless FAN 60x60x30-A Type

版次Version 2017-4-12

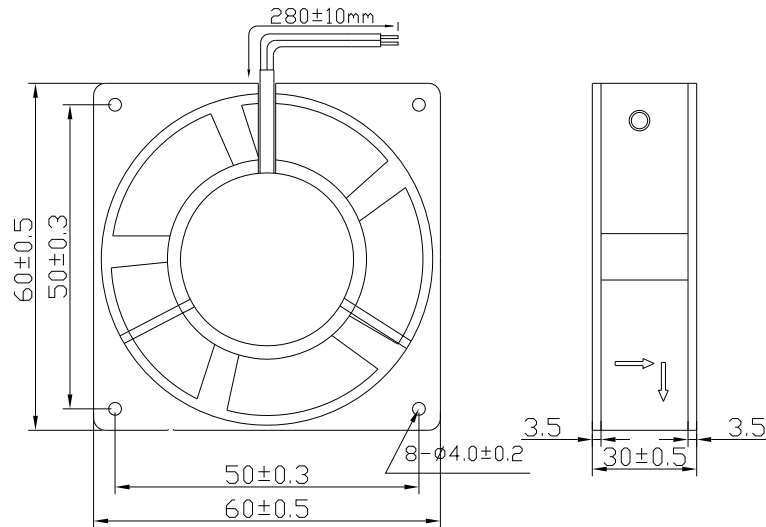
轴承结构：双滚珠、含油  
 Bearing: two ball、sleeve、  
 框外材质: 铝(等级:UL94V-0)  
 Frame:Aluminum(Flammability:UL94V-0)  
 扇叶材质:塑胶:(等级:UL94V-0)  
 Impeller:Plastic:(Flammability:UL94V-0)  
 风扇单重:147g(Weight:147g)



## P@Q CURVE(AT RATEDVOLTAGE)



## DIMENSIONS DRAWING(unit:mm)



## 编码规则 Code Rule

例子 Example DCH12038H12B-A1701  
 DCH12038H12X-AY

Model No. is DCH12038H12X; Extro P/N code is AY  
 X means bearing type, can be S(sleeve bearing), can be B(ball bearing), can be Y(HY bearing), can be SU(sleeve with UL), can be BU(ball with UL), can be YU(HY with UL)  
 Y means special function code, it will be used for a certain parts no. or client.  
 产品型号 DCH12038H12X; 附加代码 AY. X是一个不确定值, 它代表了不同的轴承类型,  
 S(含油轴承), B(滚珠轴承), Y(液压轴承), SU(含油轴承带UL), BU(滚珠轴承带UL), YU(液压轴承带UL)  
 Y是一个不确定的值, 它代表不同特殊风机功能, 由具体客户或者料号来确定

Model	P/N Code	Rated Voltage	Operating Voltage Range	Rated Current	Rated Input Power	Speed	Maximum Air Flow		Maximum Air Pressure		Noise
型号	P/N 附加码	额定电压	工作电压范围	额定电流	额定输入功率	转速	最大风量		最大风压		噪音
PART.NO.	AY	VAC	VAC	Amp	Watt	R.P.M	M <sup>3</sup> /min	CFM	mmH2O	InH2O	dB-A
AA6030L02X		230	50/60Hz	0.022/0.02	5/4	2500/300	0.22/0.3	7.9/1	1.6/2.7	0.06/0.1	26/27
AA6030L01X		120	50/60Hz	0.042/0.03	5/4	2500/300	0.22/0.3	7.9/1	1.6/2.7	0.06/0.1	26/27



TKFAN®

C<sub>RU</sub> US CE RoHS

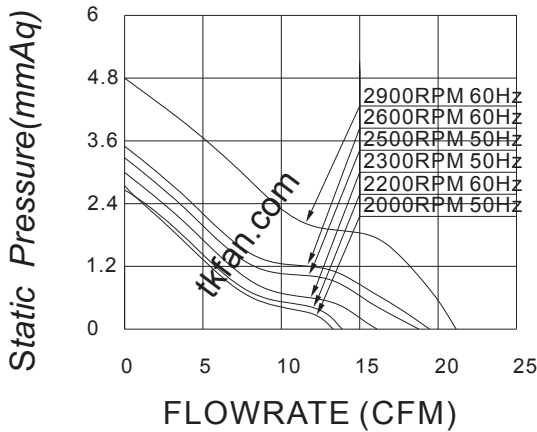
## AC Brushless FAN 80x80x25-A Type

版次Version 2017-4-12

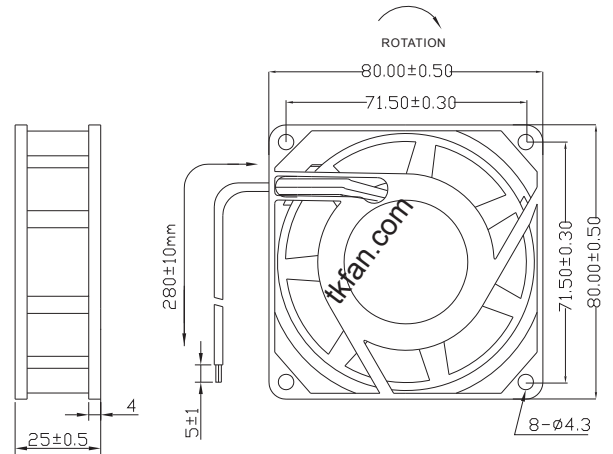
轴承结构：双滚珠、含油  
 Bearing: two ball、sleeve、  
 框外材质: 铝(等级:UL94V-0)  
 Frame:Aluminum(Flammability:UL94V-0)  
 扇叶材质:塑胶:(等级:UL94V-0)  
 Impeller:Plastic:(Flammability:UL94V-0)  
 风扇单重:228g(Weight:228g)



### P@Q CURVE(AT RATEDVOLTAGE)



### DIMENSIONS DRAWING(unit:mm)



### 编码规则 Code Rule

例子 Example DCH12038H12B-A1701  
 DCH12038H12X-AY

Model No. is DCH12038H12X; Extro P/N code is AY

X means bearing type, can be S(sleeve bearing), can be B(ball bearing), can be Y(HY bearing), can be SU(sleeve with UL), can be BU(ball with UL), can be YU(HY with UL)

Y means special function code, it will be used for a certain parts no. or client.

产品型号 DCH12038H12X;附加代码 AY. X是一个不确定值,它代表了不同的轴承类型,

S(含油轴承),B(滚珠轴承),Y(液压轴承),SU(含油轴承带UL),BU(滚珠轴承带UL),YU(液压轴承带UL)

Y是一个不确定的值,它代表不同特殊风机功能,由具体客户或者料号来确定

UNIT: mm  
(INCH)

Model	P/N Code	Rated Voltage	Operating Voltage Range	Rated Current	Rated Input Power	Speed	Maximum Air Flow		Maximum Air Pressure		Noise
							M³/min	CFM	mmH2O	InH2O	
型号	P/N 附加码	额定电压	工作电压范围	额定电	额定输入功	转速	最大风量		最大风压		噪音
PART.NO.	AY	VAC	VAC	Amp	Watt	R.P.M	M³/min	CFM	mmH2O	InH2O	dB-A
AA8025L01X		110	100-125	0.12/0.10	14/13.5	2500/2900	0.39/0.46	13.98/16.54	2.89/4.29	0.11/0.17	29/33
AA8025M01X		110	100-125	0.09/0.08	11/10	2300/2600	0.45/0.53	16/19	3.0/3.5	0.11/0.13	24/30
AA8025H02X		110	100-125	0.07/0.07	9/8	2000/2200	0.36/0.39	13/14	2.7/2.6	0.10/0.10	20/21
AA8025L02X		220	220-240	0.07/0.06	14/13.5	2500/2900	0.39/0.46	13.98/16.54	2.89/4.29	0.11/0.17	29/33
AA8025M02X		220	220-240	0.06/0.06	11/10	2300/2600	0.45/0.53	16/19	3.0/3.5	0.11/0.13	24/30
AA8025H02X	220	220-240	0.05/0.05	9/8	2000/2200	0.36/0.39	13/14	2.7/2.6	0.10/0.10	20/21	



TKFAN®

UL US CE RoHS

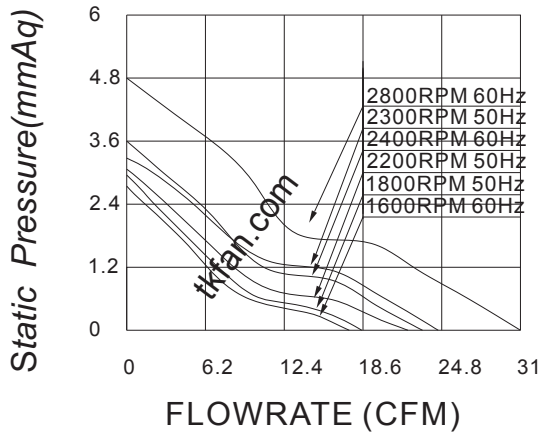
# AC Brushless FAN 80x80x38-A Type

版次Version 2017-4-12

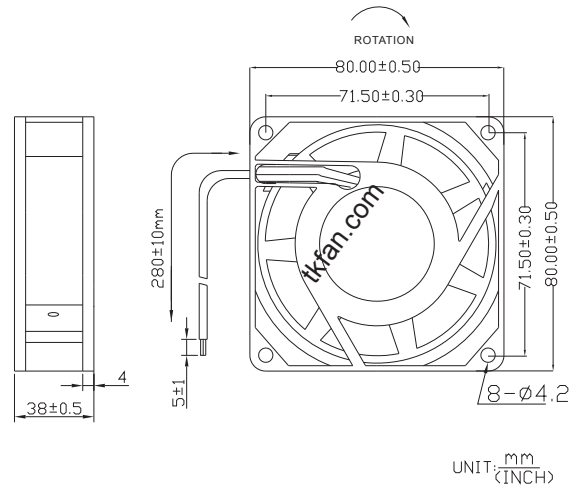
轴承结构：双滚珠、含油  
 Bearing: two ball、sleeve、  
 框外材质: 铝(等级:UL94V-0)  
 Frame:Aluminum(Flammability:UL94V-0)  
 扇叶材质:塑胶:(等级:UL94V-0)  
 Impeller:Plastic:(Flammability:UL94V-0)  
 风扇单重:340g(Weight:340g)



## P@Q CURVE(AT RATEDVOLTAGE)



## DIMENSIONS DRAWING(unit:mm)



## 编码规则 Code Rule

例子 Example DCH12038H12B-A1701  
 DCH12038H12X-AY

Model No. is DCH12038H12X; Extro P/N code is AY

X means bearing type, can be S(sleeve bearing), can be B(ball bearing), can be Y(HY bearing), can be SU(sleeve with UL), can be BU(ball with UL), can be YU(HY with UL)

Y means special function code, it will be used for a certain parts no. or client.

产品型号 DCH12038H12X; 附加代码 AY. X是一个不确定值, 它代表了不同的轴承类型,

S(含油轴承), B(滚珠轴承), Y(液压轴承), SU(含油轴承带UL), BU(滚珠轴承带UL), YU(液压轴承带UL)

Y是一个不确定的值, 它代表不同特殊风机功能, 由具体客户或者料号来确定

Model	P/N Code	Rated Voltage	Operating Voltage Range	Rated Current	Rated Input Power	Speed	Maximum Air Flow		Maximum Air Pressure		Noise
型号	P/N 附加码	额定电压	工作电压范围	额定电	额定输入功	转速	最大风量		最大风压		噪音
PART.NO.	AY	VAC	VAC	Amp	Watt	R.P.M	M³/min	CFM	mmH2O	InH2O	dB-A
AA8038L01X		110	100-125	0.15/0.1	16/10	2300/2800	0.67/0.8	24/31	3.30/4.83	0.12/0.1	31/35
AA8038M01X		110	100-125	0.13/0.1	14/12	2200/2400	0.62/0.6	22/23	3.1/3.6	0.12/0.1	27/31
AA8038H02X		110	100-125	0.10/0.0	10/9	1800/1600	0.50/0.4	18/17	2.9/2.7	0.11/0.1	19/17
AA8038L02X		220	220-240	0.11/0.1	16/10	2300/2800	0.67/0.8	24/31	3.30/4.83	0.12/0.1	31/35
AA8038M02X		220	220-240	0.09/0.0	14/12	2200/2400	0.62/0.6	22/23	3.1/3.6	0.12/0.1	27/31
AA8038H02X		220	220-240	0.08/0.0	10/9	1800/1600	0.50/0.4	18/17	2.9/2.7	0.11/0.1	19/17



TKFAN®

C<sub>UL</sub> US CE RoHS

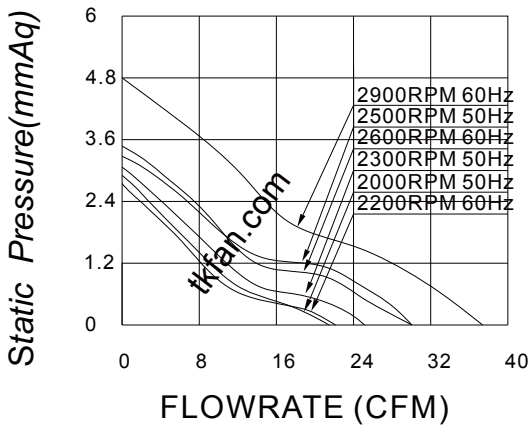
# AC Brushless FAN 92x92x25-A Type

版次Version 2017-4-12

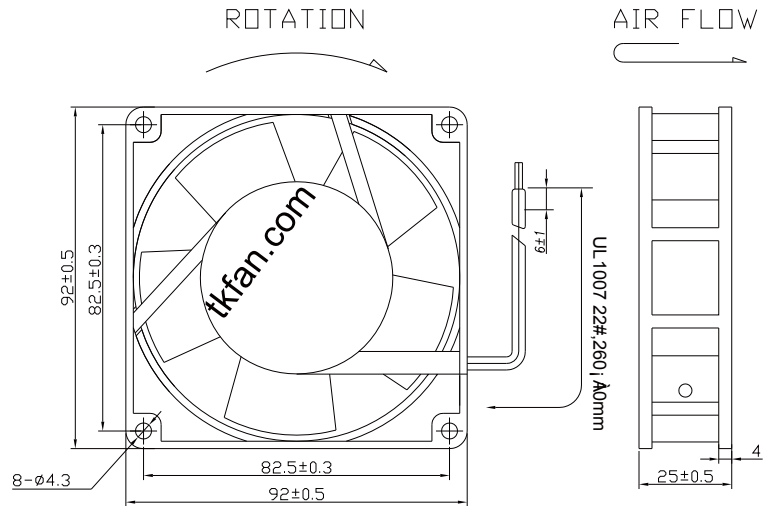
轴承结构：双滚珠、含油  
 Bearing: two ball、sleeve、  
 框外材质: 铝(等级:UL94V-0)  
 Frame:Aluminum(Flammability:UL94V-0)  
 扇叶材质:塑胶:(等级:UL94V-0)  
 Impeller:Plastic:(Flammability:UL94V-0)  
 风扇单重:280g(Weight:280g)



## P@Q CURVE(AT RATEDVOLTAGE)



## DIMENSIONS DRAWING(unit:mm)



## 编码规则 Code Rule

例子 Example DCH12038H12B-A1701  
 DCH12038H12X-AY

Model No. is DCH12038H12X; Extro P/N code is AY

X means bearing type, can be S(sleeve bearing), can be B(ball bearing), can be Y(HY bearing), can be SU(sleeve with UL), can be BU(ball with UL), can be YU(HY with UL)

Y means special function code, it will be used for a certain parts no. or client.

产品型号 DCH12038H12X;附加代码 AY. X是一个不确定值,它代表了不同的轴承类型,

S(含油轴承),B(滚珠轴承),Y(液压轴承),SU(含油轴承带UL),BU(滚珠轴承带UL),YU(液压轴承带UL)

Y是一个不确定的值,它代表不同特殊风机功能,由具体客户或者料号来确定

Model	P/N Code	Rated Voltage	Operating Voltage Range	Rated Current	Rated Input Power	Speed	Maximum Air Flow		Maximum Air Pressure		Noise
型号	P/N 附加码	额定电压	工作电压范围	额定电	额定输入功	转速	最大风量		最大风压		噪音
PART.NO.	AY	VAC	VAC	Amp	Watt	R.P.M	M <sup>3</sup> /min	CFM	mmH2O	InH2O	dB-A
AA9225L01X		110	100-125	0.12/0.1	14/13.5	2500/2900	0.84/1.0	30/37	3.30/4.83	0.12/0.1	32/37
AA9225M01X		110	100-125	0.09/0.0	11/10	2300/2600	0.70/0.8	25/30	3.0/3.5	0.11/0.1	25/33
AA9225H02X		110	100-125	0.07/0.0	9/8	2000/2200	0.59/0.6	21/22	2.7/2.6	0.10/0.1	22/24
AA9225L02X		220	220-240	0.07/0.0	14/13.5	2500/2900	0.84/1.0	30/37	3.30/4.83	0.12/0.1	32/37
AA9225M02X		220	220-240	0.06/0.0	11/10	2300/2600	0.70/0.8	25/30	3.0/3.5	0.11/0.1	25/33
AA9225H02X		220	220-240	0.05/0.0	9/8	2000/2200	0.59/0.6	21/22	2.7/2.6	0.10/0.1	22/24



TKFAN®

C US CE RoHS

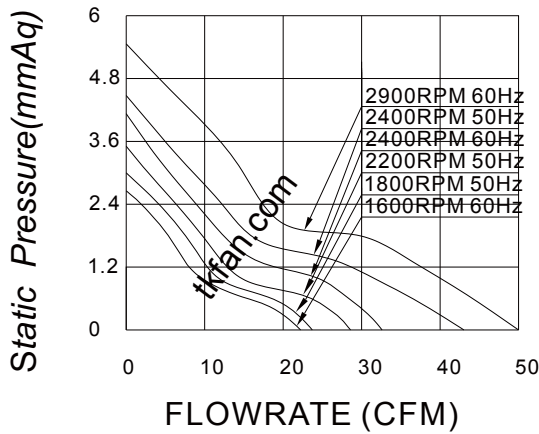
## AC Brushless FAN 92x92x38-A Type

版次Version 2017-4-12

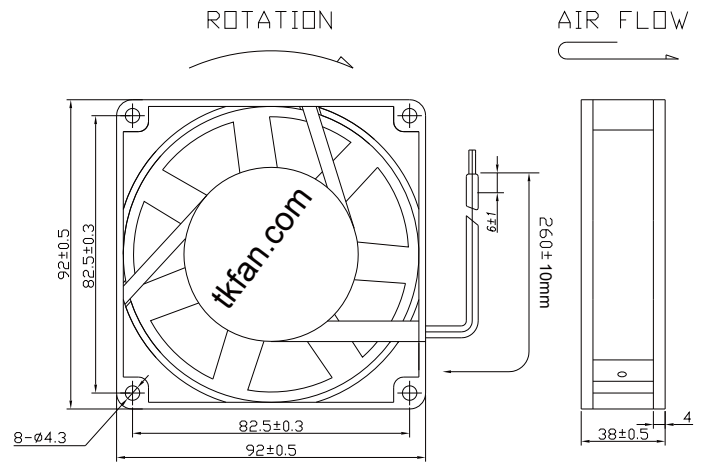
轴承结构：双滚珠、含油  
Bearing: two ball、sleeve、  
框外材质: 铝(等级:UL94V-0)  
Frame:Aluminum(Flammability:UL94V-0)  
扇叶材质:塑胶:(等级:UL94V-0)  
Impeller:Plastic:(Flammability:UL94V-0)  
风扇单重:350g(Weight:350g)



### P@Q CURVE(AT RATEDVOLTAGE)



### DIMENSIONS DRAWING(unit:mm)



### 编码规则 Code Rule

例子 Example DCH12038H12B-A1701  
DCH12038H12X-AY

Model No. is DCH12038H12X; Extro P/N code is AY

X means bearing type, can be S(sleeve bearing), can be B(ball bearing), can be Y(HY bearing), can be SU(sleeve with UL), can be BU(ball with UL), can be YU(HY with UL)

Y means special function code, it will be used for a certain parts no. or client.

产品型号 DCH12038H12X;附加代码 AY. X是一个不确定值,它代表了不同的轴承类型,

S(含油轴承),B(滚珠轴承),Y(液压轴承),SU(含油轴承带UL),BU(滚珠轴承带UL),YU(液压轴承带UL)

Y是一个不确定的值,它代表不同特殊风机功能,由具体客户或者料号来确定

Model	P/N Code	Rated Voltage	Operating Voltage Range	Rated Current	Rated Input Power	Speed	Maximum Air Flow		Maximum Air Pressure		Noise
型号	P/N 附加码	额定电压	工作电压范围	额定电	额定输入功	转速	最大风量		最大风压		噪音
PART.NO.	AY	VAC	VAC	Amp	Watt	R.P.M	M³/min	CFM	mmH2O	InH2O	dB-A
AA9238L01X		110	100-125	0.16/0.1	16/14	2400/2900	1.21/1.4	43/50	4.50/5.50	0.17/0.2	32/36
AA9238M01X		110	100-125	0.13/0.1	14/12	2200/2400	0.79/0.9	28/32	3.50/4.20	0.13/0.1	27/31
AA9238H02X		110	100-125	0.10/0.0	10/9	1800/1600	0.67/0.6	24/23	3.00/2.70	0.11/0.1	20/18
AA9238L02X		220	220-240	0.16/0.1	16/14	2400/2900	1.21/1.4	43/50	4.50/5.50	0.17/0.2	32/36
AA9238M02X		220	220-240	0.13/0.1	14/12	2200/2400	0.79/0.9	28/32	3.50/4.20	0.13/0.1	27/31
AA9238H02X		220	220-240	0.10/0.0	10/9	1800/1600	0.67/0.6	24/23	3.00/2.70	0.11/0.1	20/18



TKFAN®

UL US CE RoHS

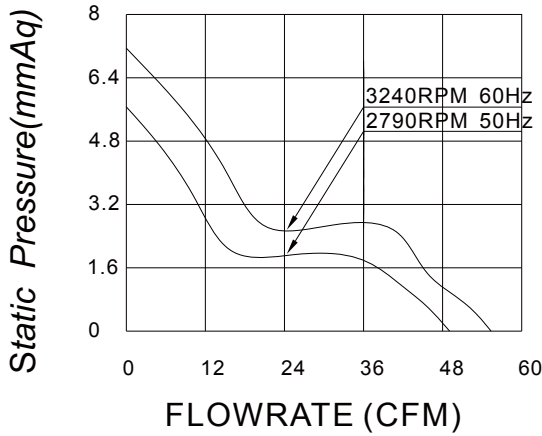
# AC Brushless FAN 92x92x38mm-B Type

版次Version 2017-4-12

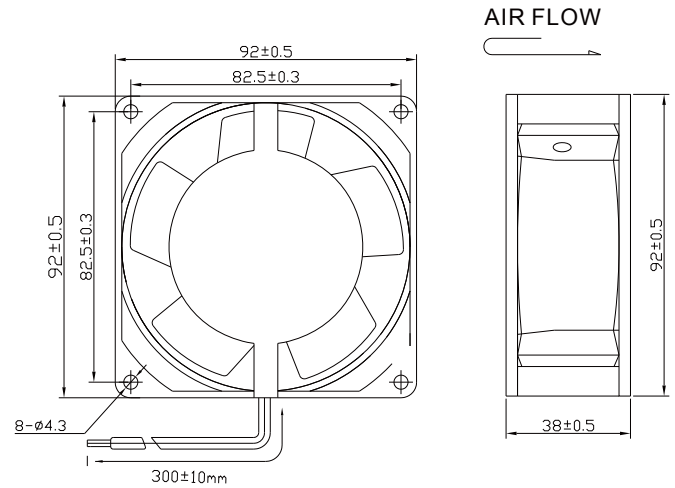
轴承结构：双滚珠  
 Bearing: two ball  
 框外材质: 铝(等级:UL94V-0)  
 Frame:Aluminum(Flammability:UL94V-0)  
 扇叶材质:铁:(等级:UL94V-0)  
 Impeller: Metal impeller:(Flammability:UL94V-0)  
 风扇单重:470g(Weight:470g)



## P@Q CURVE(AT RATEDVOLTAGE)



## DIMENSIONS DRAWING(unit:mm)



## 编码规则 Code Rule

例子 Example DCH12038H12B-A1701  
 DCH12038H12X-AY

Model No. is DCH12038H12X; Extro P/N code is AY  
 X means bearing type, can be S(sleeve bearing), can be B(ball bearing), can be Y(HY bearing), can be SU(sleeve with UL), can be BU(ball with UL), can be YU(HY with UL)  
 Y means special function code, it will be used for a certain parts no. or client.  
 产品型号 DCH12038H12X; 附加代码 AY. X是一个不确定值, 它代表了不同的轴承类型, S(含油轴承), B(滚珠轴承), Y(液压轴承), SU(含油轴承带UL), BU(滚珠轴承带UL), YU(液压轴承带UL)  
 Y是一个不确定的值, 它代表不同特殊风机功能, 由具体客户或者料号来确定

Model	P/N Code	Rated Voltage	Operating Voltage Range	Rated Current	Rated Input Power	Speed	Maximum Air Flow		Maximum Air Pressure		Noise
型号	P/N 附加码	额定电压	工作电压范围	额定电流	额定输入功率	转速	最大风量		最大风压		噪音
PART.NO.	BY	VAC	VAC	Amp	Watt	R.P.M	M³/min	CFM	mmH2O	InH2O	dB-A
AA9238H01B		115/50hz	70~130	0.25	16	2790	1.388	49.0	5.64	0.222	41.8
AA9238H02B		115/60hz	70~130	0.24	14	3240	1.564	55.2	7.08	0.279	47.5
AA9238H03B		220/50hz	120~240	0.08	12	2790	1.388	49.0	5.64	0.222	41.8
AA9238H04B		220/60hz	120~240	0.06	12.8	3240	1.564	55.2	7.08	0.279	47.5



TKFAN®

UL US CE RoHS

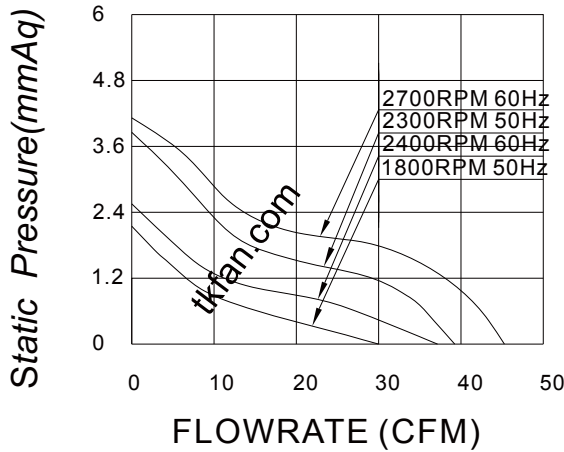
# AC Brushless FAN 110x110x25-A Type

版次Version 2017-4-12

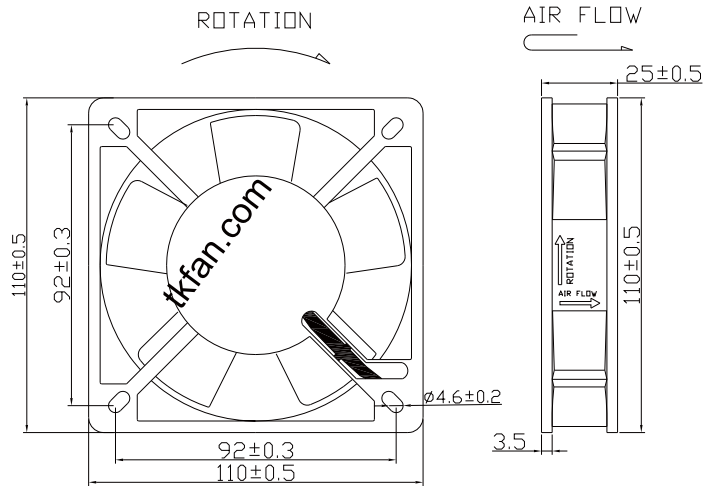
轴承结构：双滚珠、含油  
 Bearing: two ball、sleeve、  
 框外材质: 铝(等级:UL94V-0)  
 Frame:Aluminum(Flammability:UL94V-0)  
 扇叶材质:塑胶:(等级:UL94V-0)  
 Impeller:Plastic:(Flammability:UL94V-0)  
 风扇单重:300g(Weight:300g)



## P@Q CURVE(AT RATEDVOLTAGE)



## DIMENSIONS DRAWING(unit:mm)



## 编码规则 Code Rule

例子 Example DCH12038H12B-A1701  
 DCH12038H12X-AY

Model No. is DCH12038H12X; Extro P/N code is AY

X means bearing type, can be S(sleeve bearing), can be B(ball bearing), can be Y(HY bearing), can be SU(sleeve with UL), can be BU(ball with UL), can be YU(HY with UL)

Y means special function code, it will be used for a certain parts no. or client.

产品型号 DCH12038H12X;附加代码 AY. X是一个不确定值,它代表了不同的轴承类型,

S(含油轴承),B(滚珠轴承),Y(液压轴承),SU(含油轴承带UL),BU(滚珠轴承带UL),YU(液压轴承带UL)

Y是一个不确定的值,它代表不同特殊风机功能,由具体客户或者料号来确定

Model	P/N Code	Rated Voltage	Operating Voltage Range	Rated Current	Rated Input Power	Speed	Maximum Air Flow		Maximum Air Pressure		Noise
型号	P/N 附加码	额定电压	工作电压范围	额定电	额定输入功	转速	最大风量		最大风压		噪音
PART.NO.	AY	VAC	VAC	Amp	Watt	R.P.M	M³/min	CFM	mmH2O	InH2O	dB-A
AA11025L01X		110	0.10	17/15	2300/2700	1.10/1.27	39/45	3.9/4.1	0.15/0.16	35/37	0.10
AA11025M01X		110	0.07	12/10	1800/2400	0.85/1.05	30/37	2.2/2.5	0.09/0.10	30/35	0.07
AA11025L02X		220	0.15	17/15	2300/2700	1.10/1.27	39/45	3.9/4.1	0.15/0.16	35/37	0.15
AA11025M02X		220	0.10	12/10	1800/2400	0.85/1.05	30/37	2.2/2.5	0.09/0.10	30/35	0.10



TKFAN®

UL US CE RoHS

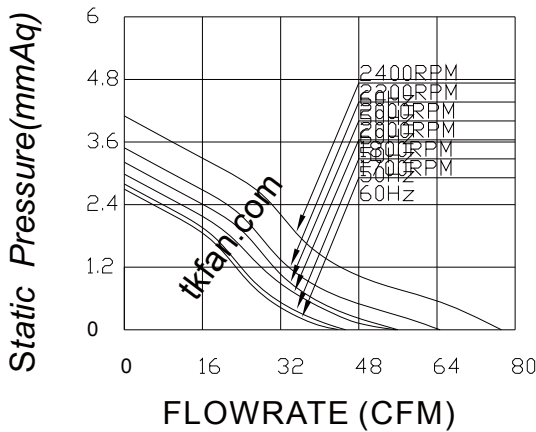
# AC Brushless FAN 120x120x25-A Type

版次Version 2017-4-12

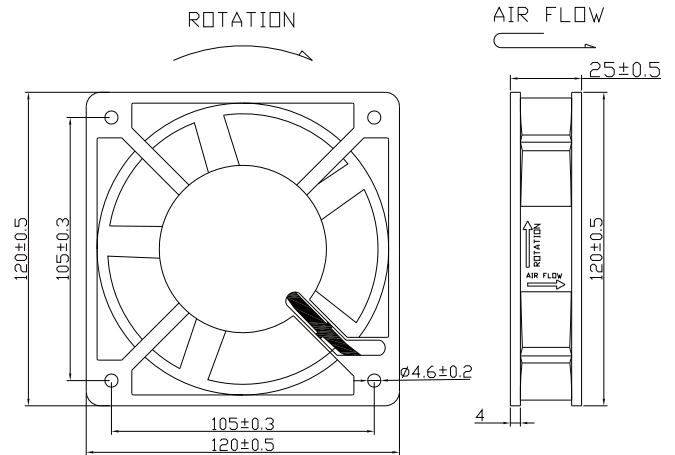
轴承结构：双滚珠、含油  
 Bearing: two ball、sleeve、  
 框外材质: 铝(等级:UL94V-0)  
 Frame:Aluminum(Flammability:UL94V-0)  
 扇叶材质:塑胶:(等级:UL94V-0)  
 Impeller:Plastic:(Flammability:UL94V-0)  
 风扇单重:320g(Weight:320g)



## P@Q CURVE(AT RATEDVOLTAGE)



## DIMENSIONS DRAWING(unit:mm)



## 编码规则 Code Rule

例子 Example DCH12038H12B-A1701  
 DCH12038H12X-AY

Model No. is DCH12038H12X; Extro P/N code is AY

X means bearing type, can be S(sleeve bearing), can be B(ball bearing), can be Y(HY bearing), can be SU(sleeve with UL), can be BU(ball with UL), can be YU(HY with UL)

Y means special function code, it will be used for a certain parts no. or client.

产品型号 DCH12038H12X;附加代码 AY. X是一个不确定值,它代表了不同的轴承类型,

S(含油轴承),B(滚珠轴承),Y(液压轴承),SU(含油轴承带UL),BU(滚珠轴承带UL),YU(液压轴承带UL)

Y是一个不确定的值,它代表不同特殊风机功能,由具体客户或者料号来确定

Model	P/N Code	Rated Voltage	Operating Voltage Range	Rated Current	Rated Input Power	Speed	Maximum Air Flow		Maximum Air Pressure		Noise
型号	P/N 附加码	额定电压	工作电压范围	额定电	额定输入功	转速	最大风量		最大风压		噪音
PART.NO.	AY	VAC	VAC	Amp	Watt	R.P.M	M <sup>3</sup> /min	CFM	mmH2O	InH2O	dB-A
AA12025L01X		110	100-125	0.19/0.1	19/18	2200/2400	1.86/2.2	66/78	3.56/4.06	0.14/0.1	38/40
AA12025M01X		110	100-125	0.16/0.1	16/15	2000/2000	1.64/1.6	58/58	3.0/3.2	0.11/0.1	35/35
AA12025H02X		110	100-125	0.13/0.1	14/13	1800/1700	1.41/1.3	50/48	2.78/2.68	0.1/0.1	30/29
AA12025L02X		220	220-240	0.09/0.0	19/18	2200/2400	1.86/2.2	66/78	3.56/4.06	0.14/0.1	38/40
AA12025M02X		220	220-240	0.07/0.0	16/15	2000/2000	1.64/1.6	58/58	3.0/3.2	0.11/0.1	35/35
AA12025H02X		220	220-240	0.05/0.0	14/13	1800/1700	1.41/1.3	50/48	2.78/2.68	0.1/0.1	30/29



TKFAN®

C US CE RoHS

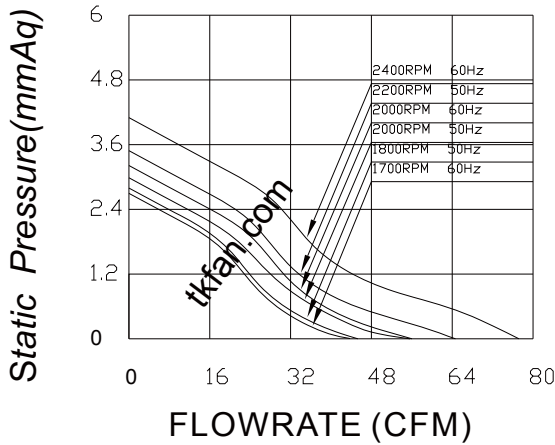
# AC Brushless FAN 120x120x25-B Type

版次Version 2017-4-12

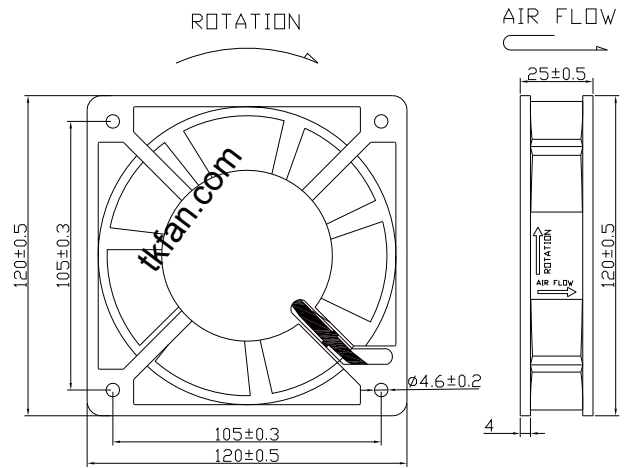
轴承结构：双滚珠、含油  
 Bearing: two ball、sleeve、  
 框外材质: 铝(等级:UL94V-0)  
 Frame:Aluminum(Flammability:UL94V-0)  
 扇叶材质:塑胶:(等级:UL94V-0)  
 Impeller:Plastic:(Flammability:UL94V-0)  
 风扇单重:320g(Weight:320g)



## P@Q CURVE(AT RATEDVOLTAGE)



## DIMENSIONS DRAWING(unit:mm)



## 编码规则 Code Rule

例子 Example DCH12038H12B-A1701  
 DCH12038H12X-AY

Model No. is DCH12038H12X; Extro P/N code is AY

X means bearing type, can be S(sleeve bearing), can be B(ball bearing), can be Y(HY bearing), can be SU(sleeve with UL), can be BU(ball with UL), can be YU(HY with UL)

Y means special function code, it will be used for a certain parts no. or client.

产品型号 DCH12038H12X;附加代码 AY. X是一个不确定值,它代表了不同的轴承类型,

S(含油轴承),B(滚珠轴承),Y(液压轴承),SU(含油轴承带UL),BU(滚珠轴承带UL),YU(液压轴承带UL)

Y是一个不确定的值,它代表不同特殊风机功能,由具体客户或者料号来确定

Model	P/N Code	Rated Voltage	Operating Voltage Range	Rated Current	Rated Input Power	Speed	Maximum Air Flow		Maximum Air Pressure		Noise
型号	P/N 附加码	额定电压	工作电压范围	额定电	额定输入功	转速	最大风量		最大风压		噪音
PART.NO.	BY	VAC	VAC	Amp	Watt	R.P.M	M³/min	CFM	mmH2O	InH2O	dB-A
AA12025L01X		110	100-125	0.19/0.1	19/18	2200/2400	1.86/2.2	66/78	3.56/4.06	0.14/0.1	38/40
AA12025M01X		110	100-125	0.16/0.1	16/15	2000/2000	1.64/1.6	58/58	3.0/3.2	0.11/0.1	35/35
AA12025H02X		110	100-125	0.13/0.1	14/13	1800/1700	1.41/1.3	50/48	2.78/2.68	0.1/0.1	30/29
AA12025L02X		220	220-240	0.09/0.0	19/18	2200/2400	1.86/2.2	66/78	3.56/4.06	0.14/0.1	38/40
AA12025M02X		220	220-240	0.07/0.0	16/15	2000/2000	1.64/1.6	58/58	3.0/3.2	0.11/0.1	35/35
AA12025H02X		220	220-240	0.05/0.0	14/13	1800/1700	1.41/1.3	50/48	2.78/2.68	0.1/0.1	30/29



TKFAN®

C<sub>RU</sub> US CE RoHS

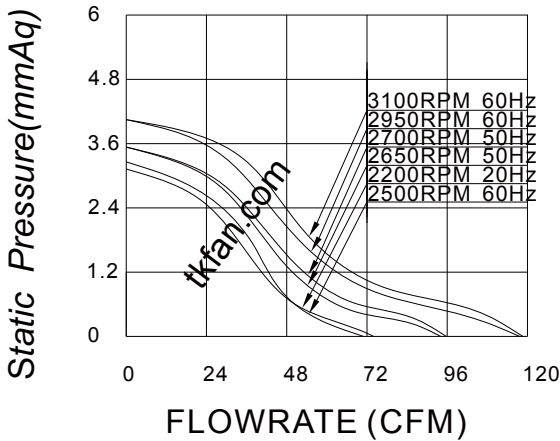
# AC Brushless FAN 120x120x38-A Type

版次Version 2017-4-12

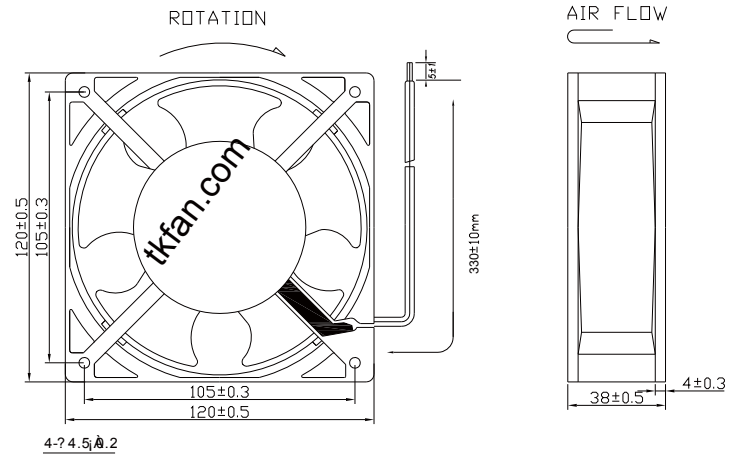
轴承结构：双滚珠、含油  
 Bearing: two ball、sleeve、  
 框外材质: 铝(等级:UL94V-0)  
 Frame:Aluminum(Flammability:UL94V-0)  
 扇叶材质:塑胶:(等级:UL94V-0)  
 Impeller:Plastic:(Flammability:UL94V-0)  
 风扇单重:530g(Weight:530g)



## P@Q CURVE(AT RATEDVOLTAGE)



## DIMENSIONS DRAWING(unit:mm)



## 编码规则 Code Rule

例子 Example DCH12038H12B-A1701  
 DCH12038H12X-AY

Model No. is DCH12038H12X; Extro P/N code is AY

X means bearing type, can be S(sleeve bearing), can be B(ball bearing), can be Y(HY bearing), can be SU(sleeve with UL), can be BU(ball with UL), can be YU(HY with UL)

Y means special function code, it will be used for a certain parts no. or client.

产品型号 DCH12038H12X;附加代码 AY. X是一个不确定值,它代表了不同的轴承类型,

S(含油轴承),B(滚珠轴承),Y(液压轴承),SU(含油轴承带UL),BU(滚珠轴承带UL),YU(液压轴承带UL)

Y是一个不确定的值,它代表不同特殊风机功能,由具体客户或者料号来确定

Model	P/N Code	Rated Voltage	Operating Voltage Range	Rated Current	Rated Input Power	Speed	Maximum Air Flow		Maximum Air Pressure		Noise
型号	P/N 附加码	额定电压	工作电压范围	额定电	额定输入功	转速	最大风量		最大风压		噪音
PART.NO.	AY	VAC	VAC	Amp	Watt	R.P.M	M <sup>3</sup> /min	CFM	mmH2O	InH2O	dB-A
AA12038L01X		110	100~125	0.14/0.1	22/21	2700/3100	2.69/3.2	95/115	3.56/4.06	0.14/0.1	42/47
AA12038M01X		110	100-125	0.22/0.1	21/18	2650/2950	2.57/3.2	91/113	3.56/4.06	0.14/0.1	40/45
AA12038H02X		110	100-125	0.17/0.1	16/14	2500/2200	2.12/1.9	75/70	3.0/3.2	0.11/0.1	37/35
AA12038L02X		220	100-125	0.14/0.1	12/10.5	2000/1800	1.86/1.6	66/60	2.78/2.68	0.1/0.1	30/29
AA12038M02X		220	220-240	0.12/11	20/19	2650/2950	2.57/3.2	91/113	3.56/4.06	0.14/0.1	40/45
AA12038H02X		220	220-240	0.09/0.0	16/14	2500/2200	2.12/1.9	75/70	3.0/3.2	0.11/0.1	37/35



TKFAN®

UL US CE RoHS

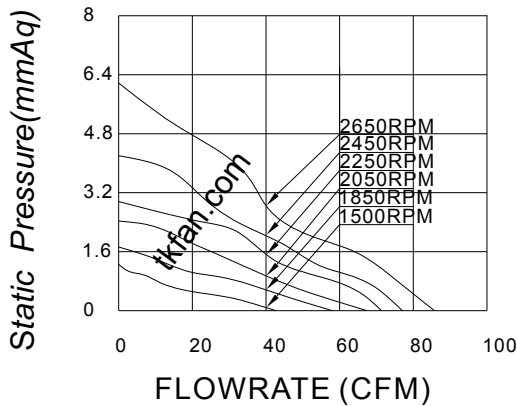
# AC Brushless FAN 120x120x38-B Type

版次Version 2017-4-12

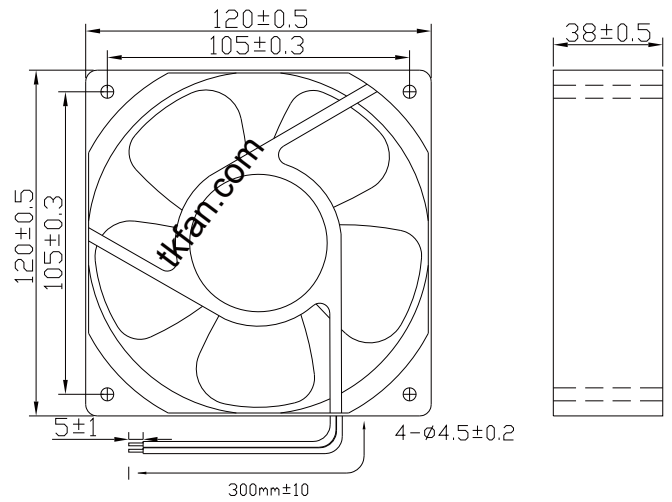
轴承结构：双滚珠、含油  
 Bearing: two ball、sleeve、  
 框外材质: 铝(等级:UL94V-0)  
 Frame:Aluminum(Flammability:UL94V-0)  
 扇叶材质:塑胶:(等级:UL94V-0)  
 Impeller:Plastic:(Flammability:UL94V-0)  
 风扇单重:490g(Weight:490g)



## P@Q CURVE(AT RATEDVOLTAGE)



## DIMENSIONS DRAWING(unit:mm)



## 编码规则 Code Rule

例子 Example DCH12038H12B-A1701  
 DCH12038H12X-AY

Model No. is DCH12038H12X; Extro P/N code is AY  
 X means bearing type, can be S(sleeve bearing), can be B(ball bearing), can be Y(HY bearing), can be SU(sleeve with UL), can be BU(ball with UL), can be YU(HY with UL)  
 Y means special function code, it will be used for a certain parts no. or client.  
 产品型号 DCH12038H12X;附加代码 AY. X是一个不确定值,它代表了不同的轴承类型,  
 S(含油轴承),B(滚珠轴承),Y(液压轴承),SU(含油轴承带UL),BU(滚珠轴承带UL),YU(液压轴承带UL)  
 Y是一个不确定的值,它代表不同特殊风机功能,由具体客户或者料号来确定

Model	P/N Code	Rated Voltage	Operating Voltage Range	Rated Current	Rated Input Power	Speed	Maximum Air Flow		Maximum Air Pressure		Noise
型号	P/N 附加码	额定电压	工作电压范围	额定电流	额定输入功率	转速	最大风量		最大风压		噪音
PART.NO.		VAC	VAC	Amp	Watt	R.P.M	M³/min	CFM	mmH2O	InH2O	dB-A
AA12038LL01X	BY	115	70~130	0.16	14.2	1500	1.201	42.4	1.27	0.050	30.7
AA12038L01X		115	70~130	0.18	16.1	1850	1.655	58.4	1.65	0.065	35.5
AA12038VM01X		115	70~130	0.20	17.8	2050	1.911	67.4	2.18	0.086	38.31
AA12038M01X		115	70~130	0.22	19.6	2250	2.032	71.7	2.99	0.118	41.7
AA12038MV01X		115	70~130	0.25	22.3	2450	2.149	75.8	4.24	0.167	43.0
AA12038H01X		115	70~130	0.28	25	2650	2.413	85.1	6.16	0.243	45.9
AA12038LL02X		230	80~250	0.075	14.2	1500	1.201	42.4	1.27	0.050	30.7
Aa12038L02X		230	80~250	0.085	16.1	1850	1.655	58.4	1.65	0.065	35.5
AA12038VM02X		230	80~250	0.095	17.8	2050	1.911	67.4	2.18	0.086	38.31
AA12038M02X		230	80~250	0.11	19.6	2250	2.032	71.7	2.99	0.118	41.7
AA12038MV02X		230	80~250	0.12	22.3	2450	2.149	75.8	4.24	0.167	43.0
AA12038H02X		230	80~250	0.13	25	2650	2.413	85.1	6.16	0.243	45.9



TKFAN®

UL US CE RoHS

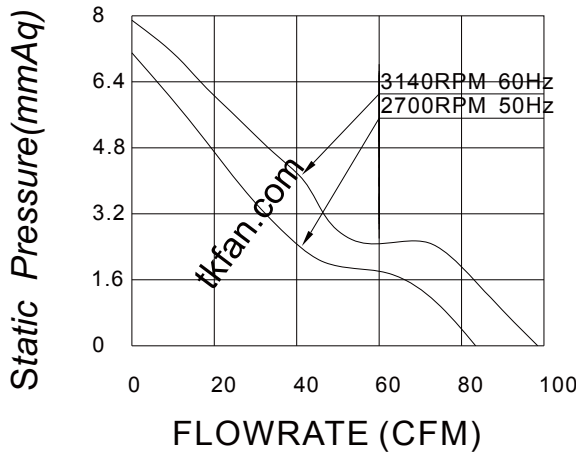
## AC Brushless FAN 120x120x38-C Type

版次Version 2017-4-12

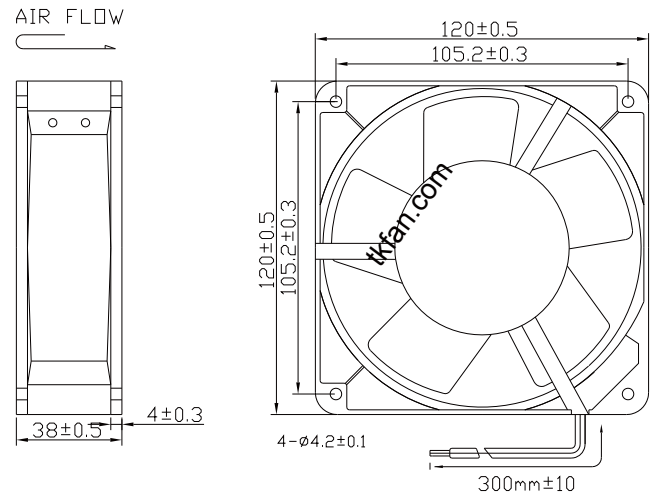
轴承结构：双滚珠、含油  
Bearing: two ball、sleeve、  
框外材质: 铝(等级:UL94V-0)  
Frame:Aluminum(Flammability:UL94V-0)  
扇叶材质:铁:(等级:UL94V-0)  
Impeller: Metal Impeller:(Flammability:UL94V-0)  
风扇单重:600g(Weight:600g)



### P@Q CURVE(AT RATEDVOLTAGE)



### DIMENSIONS DRAWING(unit:mm)



### 编码规则 Code Rule

例子 Example DCH12038H12B-A1701  
DCH12038H12X-AY

Model No. is DCH12038H12X; Extro P/N code is AY

X means bearing type, can be S(sleeve bearing), can be B(ball bearing), can be Y(HY bearing), can be SU(sleeve with UL), can be BU(ball with UL), can be YU(HY with UL)

Y means special function code, it will be used for a certain parts no. or client.

产品型号 DCH12038H12X;附加代码 AY. X是一个不确定值,它代表了不同的轴承类型,

S(含油轴承),B(滚珠轴承),Y(液压轴承),SU(含油轴承带UL),BU(滚珠轴承带UL),YU(液压轴承带UL)

Y是一个不确定的值,它代表不同特殊风机功能,由具体客户或者料号来确定

Model	P/N Code	Rated Voltage	Operating Voltage Range	Rated Current	Rated Input Power	Speed	Maximum Air Flow		Maximum Air Pressure		Noise
型号	P/N 附加码	额定电压	工作电压范围	额定电流	额定输入功率	转速	最大风量		最大风压		噪音
PART.NO.	CY	VAC	VAC	Amp	Watt	R.P.M	M³/min	CFM	mmH2O	InH2O	dB-A
AA12038H01B		115/60hz	70~130	0.24	22	3040	2.789	98.4	7.85	0.309	47.4
AA12038H02B		220/50hz	120~240	0.09	18.7	2700	2.365	83.5	6.91	0.272	44.0
AA12038H03B		380/50hz	280~380	0.14	22	2700	2.365	83.5	6.91	0.272	44.0
AA12038H04B		110/220 50hz	double voltage	0.25 0.14	24 22	2700 2700	2.365 2.365	83.5 83.5	6.91 6.91	0.272 0.272	44.0 44.0



TKFAN®

UL US CE RoHS

**AC Brushless FAN** Capacitor type  
**120x120x38-D Type**

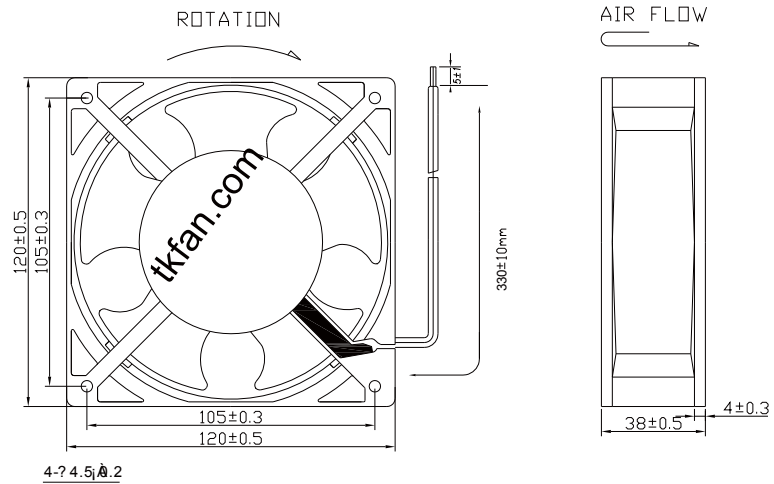
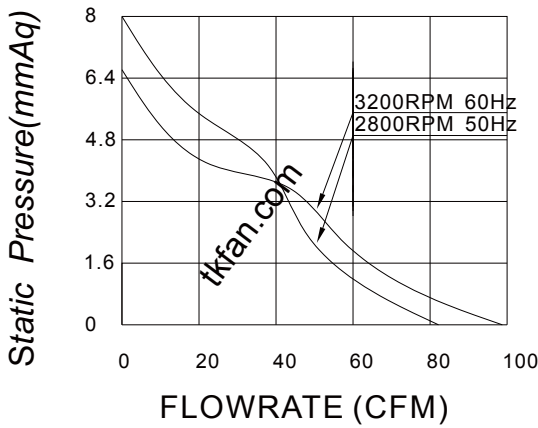
版次Version 2017-4-12



轴承结构：双滚珠、含油  
 Bearing: two ball、sleeve、  
 框外材质: 铝(等级:UL94V-0)  
 Frame:Aluminum(Flammability:UL94V-0)  
 扇叶材质:塑胶:(等级:UL94V-0)  
 Impeller:Plastic:(Flammability:UL94V-0)  
 风扇单重:520g(Weight:520g)

**P@Q CURVE(AT RATEDVOLTAGE)**

**DIMENSIONS DRAWING(unit:mm)**



**编码规则 Code Rule**

例子 Example DCH12038H12B-A1701  
 DCH12038H12X-AY

Model No. is DCH12038H12X; Extro P/N code is AY  
 X means bearing type, can be S(sleeve bearing), can be B(ball bearing), can be Y(HY bearing), can be SU(sleeve with UL), can be BU(ball with UL), can be YU(HY with UL)  
 Y means special function code, it will be used for a certain parts no. or client.  
 产品型号 DCH12038H12X; 附加代码 AY. X是一个不确定值, 它代表了不同的轴承类型,  
 S(含油轴承), B(滚珠轴承), Y(液压轴承), SU(含油轴承带UL), BU(滚珠轴承带UL), YU(液压轴承带UL)  
 Y是一个不确定的值, 它代表不同特殊风机功能, 由具体客户或者料号来确定

Model	P/N Code	Rated Voltage	Operating Voltage Range	Rated Current	Rated Input Power	Speed	Maximum Air Flow		Maximum Air Pressure		Noise
型号	P/N 附加码	额定电压	工作电压范围	额定电流	额定输入功	转速	最大风量		最大风压		噪音
PART.NO.	DY	VAC	VAC	Amp	Watt	R.P.M	M³/min	CFM	mmH2O	InH2O	dB-A
AA12038L01X		110	100-125	0.20/0.27	30	2800	2.37	84	8.02	0.316	45
AA12038M01X		110	100-125	0.20/0.27	31	3200	2.69	95	7.03	0.277	50
AA12038L02X		220	220-240	0.12/0.13	36	2800	2.37	84	8.02	0.316	45
AA12038M02X		220	220-240	0.12/0.13	35	3200	2.69	95	7.03	0.277	50



TKFAN®

UL US CE RoHS

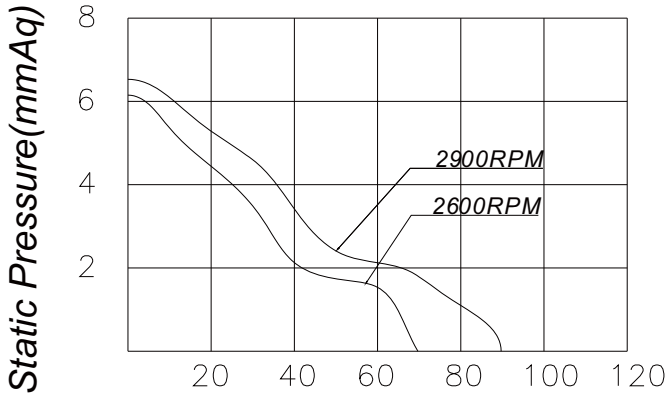
# AC Brushless FAN 120x120x38-E Type

版次Version 2019-8-12

轴承结构：双滚珠、含油  
 Bearing: two ball、sleeve、  
 框外材质: 铝(等级:UL94V-0)  
 Frame:Aluminum(Flammability:UL94V-0)  
 扇叶材质:塑胶:(等级:UL94V-0)  
 Impeller:Plastic:(Flammability:UL94V-0)  
 风扇单重:480g(Weight:480g)

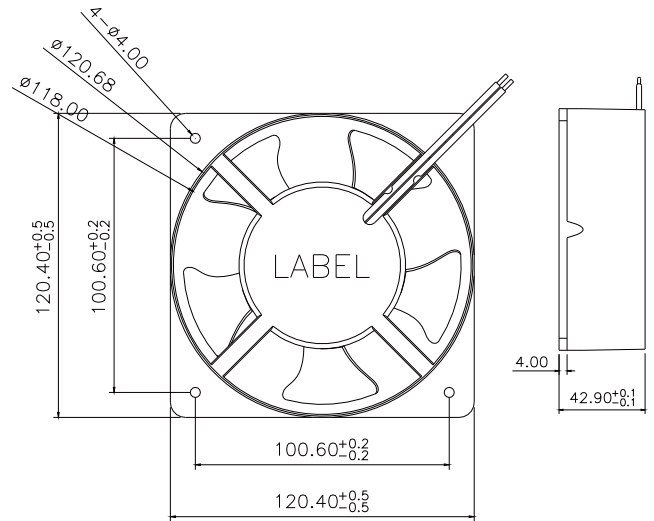


## P@Q CURVE(AT RATEDVOLTAGE)



## FLOWRATE( CFM )

## DIMENSIONS DRAWING(unit:mm)



## 编码规则 Code Rule

例子 Example DCH12038H12B-A1701  
 DCH12038H12X-AY

Model No. is DCH12038H12X; Extro P/N code is AY

X means bearing type, can be S(sleeve bearing), can be B(ball bearing), can be Y(HY bearing), can be SU(sleeve with UL), can be BU(ball with UL), can be YU(HY with UL)

Y means special function code, it will be used for a certain parts no. or client.

产品型号 DCH12038H12X;附加代码 AY. X是一个不确定值,它代表了不同的轴承类型,

S(含油轴承),B(滚珠轴承),Y(液压轴承),SU(含油轴承带UL),BU(滚珠轴承带UL),YU(液压轴承带UL)

Y是一个不确定的值,它代表不同特殊风机功能,由具体客户或者料号来确定

Model	P/N Code	Rated Voltage	Operating Voltage Range	Rated Current	Rated Input Power	Speed	Maximum Air Flow		Maximum Air Pressure		Noise
型号	P/N 附加码	额定电压	工作电压范围	额定电	额定输入功	转速	最大风量		最大风压		噪音
PART.NO.	EY	VAC	VAC	Amp	Watt	R.P.M	M³/min	CFM	mmH2O	InH2O	dB-A
AA12038L01X		110	100~125	0.20/0.14	18.3/16.7	2600/2900	1.95/2.51	69.69/89.7	6.15/6.53	0.24/0.26	43.6/47
AA12038L02X		220	220-240	0.12/0.09	18.3/16.7	2600/2900	1.95/2.51	69.69/89.7	6.15/6.53	0.24/0.26	43.6/47



TKFAN®

C<sub>RU</sub> US CE RoHS

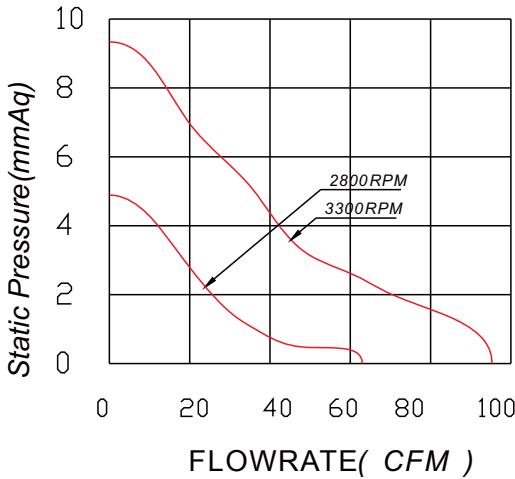
# AC Brushless FAN 120x120x38-F Type

版次Version 2019-9-28

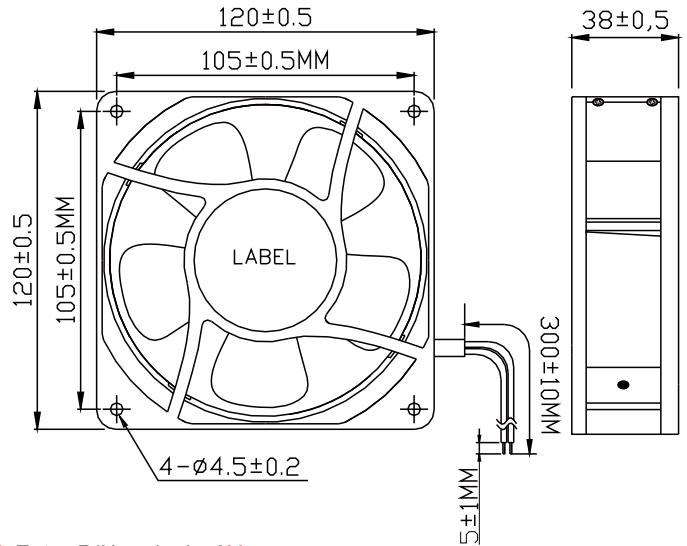
轴承结构：双滚珠、含油  
 Bearing: two ball、sleeve、  
 框外材质: 铝(等级:UL94V-0)  
 Frame:Aluminum(Flammability:UL94V-0)  
 扇叶材质:塑胶:(等级:UL94V-0)  
 Impeller:Plastic:(Flammability:UL94V-0)  
 风扇单重:516g(Weight:516g)



## P@Q CURVE(AT RATEDVOLTAGE)



## DIMENSIONS DRAWING(unit:mm)



## 编码规则 Code Rule

例子 Example DCH12038H12B-A1701  
 DCH12038H12X-AY

Model No. is DCH12038H12X; Extro P/N code is AY

X means bearing type, can be S(sleeve bearing), can be B(ball bearing), can be Y(HY bearing), can be SU(sleeve with UL), can be BU(ball with UL), can be YU(HY with UL)  
 Y means special function code, it will be used for a certain parts no. or client.

产品型号 DCH12038H12X;附加代码 AY. X是一个不确定值,它代表了不同的轴承类型,

S(含油轴承),B(滚珠轴承),Y(液压轴承),SU(含油轴承带UL),BU(滚珠轴承带UL),YU(液压轴承带UL)

Y是一个不确定的值,它代表不同特殊风机功能,由具体客户或者料号来确定

Model	P/N Code	Rated Voltage	Operating Voltage Range	Rated Current	Rated Input Power	Speed	Maximum Air Flow		Maximum Air Pressure		Noise
型号	P/N 附加码	额定电压	工作电压范围	额定电	额定输入功	转速	最大风量		最大风压		噪音
PART.NO.		VAC	VAC	Amp	Watt	R.P.M	M³/min	CFM	mmH2O	InH2O	dB-A
AA12038H01X	FY	110	100~125	0.22/0.31	22/24	2800/3300	1.78/2.7	62.99/95.3	4.89/9.34	0.19/0.37	44.1/47.9
AA12038H02X		220	220-240	0.10/0.15	22/24	2800/3300	1.78/2.7	62.99/95.3	4.89/9.34	0.19/0.37	44.1/47.9



TKFAN®

C<sub>RU</sub> US CE RoHS

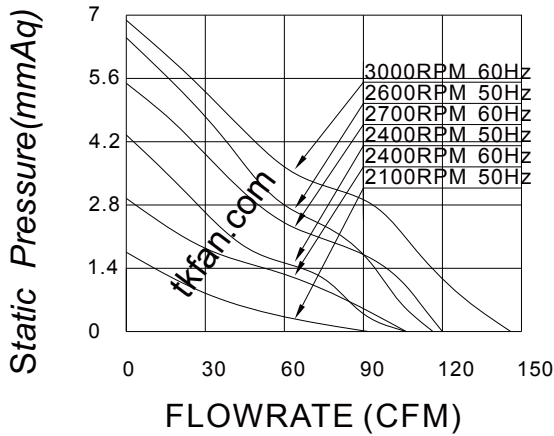
# AC Brushless FAN 135x135x38mm-A Type

版次Version 2017-4-12

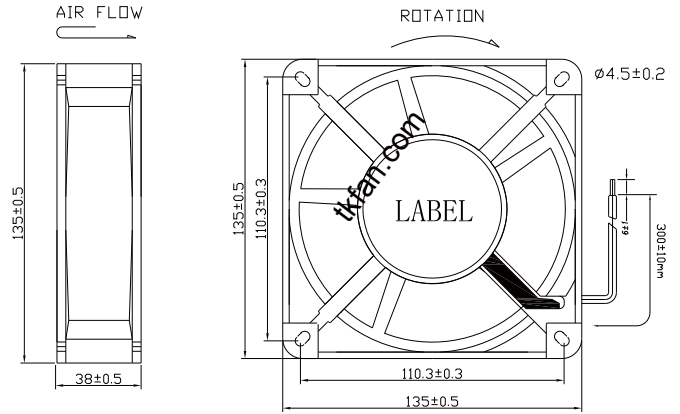
轴承结构：双滚珠、含油  
 Bearing: two ball、sleeve、  
 框外材质: 铝(等级:UL94V-0)  
 Frame:Aluminum(Flammability:UL94V-0)  
 扇叶材质:塑胶:(等级:UL94V-0)  
 Impeller:Plastic:(Flammability:UL94V-0)  
 风扇单重:570g(Weight:570g)



## P@Q CURVE(AT RATEDVOLTAGE)



## DIMENSIONS DRAWING(unit:mm)



## 编码规则 Code Rule

例子 Example DCH12038H12B-A1701  
 DCH12038H12X-AY

Model No. is DCH12038H12X; Extro P/N code is AY

X means bearing type, can be S(sleeve bearing), can be B(ball bearing), can be Y(HY bearing), can be SU(sleeve with UL), can be BU(ball with UL), can be YU(HY with UL)

Y means special function code, it will be used for a certain parts no. or client.

产品型号 DCH12038H12X;附加代码 AY. X是一个不确定值,它代表了不同的轴承类型,

S(含油轴承),B(滚珠轴承),Y(液压轴承),SU(含油轴承带UL),BU(滚珠轴承带UL),YU(液压轴承带UL)

Y是一个不确定的值,它代表不同特殊风机功能,由具体客户或者料号来确定

Model	P/N Code	Rated Voltage	Operating Voltage Range	Rated Current	Rated Input Power	Speed	Maximum Air Flow		Maximum Air Pressure		Noise
型号	P/N 附加码	额定电压	工作电压范围	额定电	额定输入功	转速	最大风量		最大风压		噪音
PART.NO.	AY	VAC	VAC	Amp	Watt	R.P.M	M³/min	CFM	mmH2O	InH2O	dB-A
AA13538H03X		380	380	0.06	23/21	2600/3000	3.22/3.95	115/141	6.5/6.8	0.26/0.2	43/45
AA13538H02X		230	230	0.14	23/21	2600/3000	3.22/3.95	115/141	6.5/6.8	0.26/0.2	43/45
AA13538M02X		230	230	0.10	15/14	2400/2700	3.00/3.36	107/120	4.3/5.1	0.17/0.2	41/43
AA13538L02X		230	230	0.07	10/9	2100/2400	2.60/3.00	93/107	1.8/3.0	0.07/0.1	39/41
AA13538H01X		120	120	0.22	23/21	2600/3000	3.22/3.95	115/141	6.5/6.8	0.26/0.2	43/45
AA13538M01X		120	120	0.18	15/14	2400/2700	3.00/3.36	107/120	4.3/5.1	0.17/0.2	41/43
AA13538L01X		120	120	0.12	10/9	2100/2400	2.60/3.00	93/107	1.8/3.0	0.07/0.1	39/41



TKFAN®

C US CE RoHS

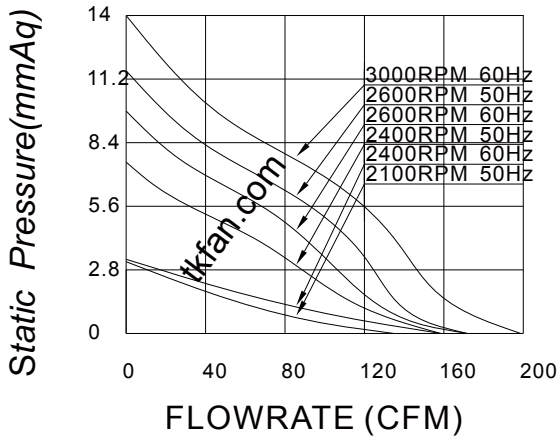
# AC Brushless FAN 150x150x50mm-A Type

版次Version 2017-4-12

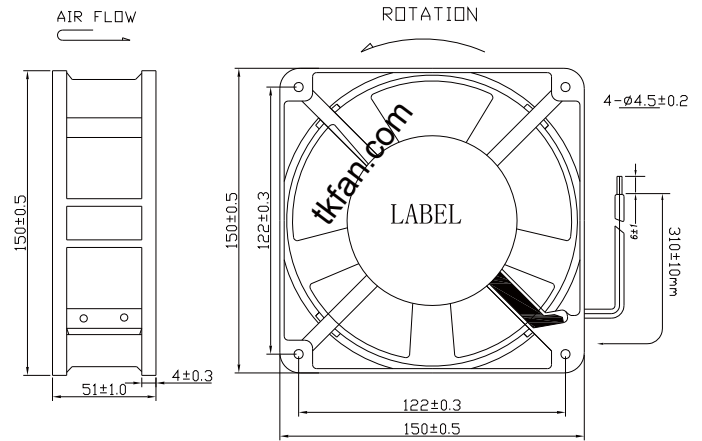
轴承结构：双滚珠、含油  
 Bearing: two ball、sleeve、  
 框外材质: 铝(等级:UL94V-0)  
 Frame:Aluminum(Flammability:UL94V-0)  
 扇叶材质:塑胶:(等级:UL94V-0)  
 Impeller:Plastic:(Flammability:UL94V-0)  
 风扇单重:800g(Weight:800g)



## P@Q CURVE(AT RATEDVOLTAGE)



## DIMENSIONS DRAWING(unit:mm)



## 编码规则 Code Rule

例子 Example DCH12038H12B-A1701  
 DCH12038H12X-AY

Model No. is DCH12038H12X; Extro P/N code is AY

X means bearing type, can be S(sleeve bearing), can be B(ball bearing), can be Y(HY bearing), can be SU(sleeve with UL), can be BU(ball with UL), can be YU(HY with UL)

Y means special function code, it will be used for a certain parts no. or client.

产品型号 DCH12038H12X;附加代码 AY. X是一个不确定值,它代表了不同的轴承类型,

S(含油轴承),B(滚珠轴承),Y(液压轴承),SU(含油轴承带UL),BU(滚珠轴承带UL),YU(液压轴承带UL)

Y是一个不确定的值,它代表不同特殊风机功能,由具体客户或者料号来确定

Model	P/N Code	Rated Voltage	Operating Voltage Range	Rated Current	Rated Input Power	Speed	Maximum Air Flow		Maximum Air Pressure		Noise
型号	P/N 附加码	额定电压	工作电压范围	额定电	额定输入功	转速	最大风量		最大风压		噪音
PART.NO.	AY	VAC	VAC	Amp	Watt	R.P.M	M³/min	CFM	mmH2O	InH2O	dB-A
AA15050H03X		380	380	0.13	38/36	2600/3000	4.76/5.4	170/196	11.5/14.0	0.45/0.5	49/56
AA15050H02X		230	230	0.23	38/36	2600/3000	4.76/5.4	170/196	11.5/14.0	0.45/0.5	49/56
AA15050M02X		230	230	0.18	28/27	2400/2600	4.34/4.7	155/170	7.5/9.7	0.30/0.3	45/49
AA15050L02X		230	230	0.12	21/20	2100/2400	3.84/4.3	137/155	3.0/3.9	0.12/0.1	39/45
AA15050H01X		120	120	0.45	38/36	2600/3000	4.76/5.4	170/196	11.5/14.0	0.45/0.5	49/56
AA15050M01X		120	120	0.30	28/27	2400/2600	4.34/4.7	155/170	7.5/9.7	0.30/0.3	45/49
AA15050L01X		120	120	0.15	21/20	2100/2400	3.84/4.3	137/155	3.0/3.9	0.12/0.1	39/45



TKFAN®

UL US CE RoHS

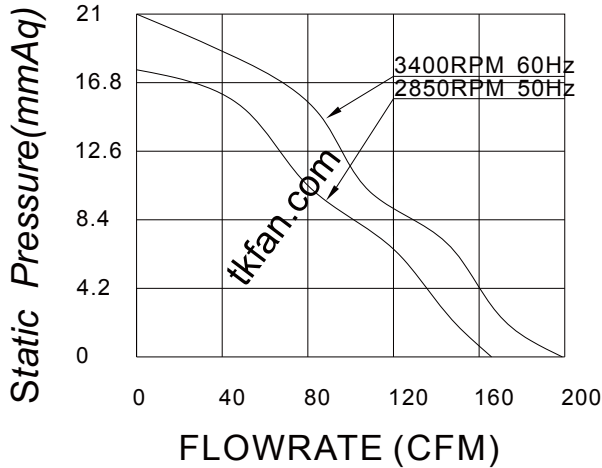
**AC Brushless FAN** Capacitor type  
**150x150x50mm-B Type**

版次Version 2017-4-12

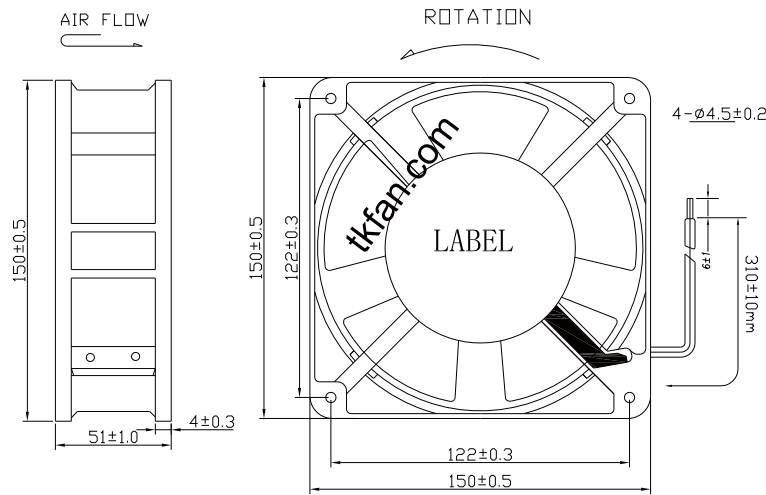
轴承结构：双滚珠、含油  
 Bearing: two ball、sleeve、  
 框外材质: 铝(等级:UL94V-0)  
 Frame:Aluminum(Flammability:UL94V-0)  
 扇叶材质:塑胶:(等级:UL94V-0)  
 Impeller:Plastic:(Flammability:UL94V-0)  
 风扇单重:710g(Weight:710g)



**P@Q CURVE(AT RATEDVOLTAGE)**



**DIMENSIONS DRAWING(unit:mm)**



**编码规则 Code Rule**

例子 Example DCH12038H12B-A1701  
 DCH12038H12X-AY

Model No. is DCH12038H12X; Extro P/N code is AY  
 X means bearing type, can be S(sleeve bearing), can be B(ball bearing), can be Y(HY bearing), can be SU(sleeve with UL), can be BU(ball with UL), can be YU(HY with UL)  
 Y means special function code, it will be used for a certain parts no. or client.  
 产品型号 DCH12038H12X;附加代码 AY. X是一个不确定值,它代表了不同的轴承类型,  
 S(含油轴承),B(滚珠轴承),Y(液压轴承),SU(含油轴承带UL),BU(滚珠轴承带UL),YU(液压轴承带UL)  
 Y是一个不确定的值,它代表不同特殊风机功能,由具体客户或者料号来确定

Model	P/N Code	Rated Voltage	Operating Voltage Range	Rated Current	Rated Input Power	Speed	Maximum Air Flow		Maximum Air Pressure		Noise
型号	P/N 附加码	额定电压	工作电压范围	额定电流	额定输入功	转速	最大风量		最大风压		噪音
PART.NO.	BY	VAC	VAC	Amp	Watt	R.P.M	M³/min	CFM	mmH2O	InH2O	dB-A
AA15050L01X		115	100~125	0.25/0.26	30	2850	4.7	166	17.57	0.693	57
AA15050M01X		115	100~125	0.25/0.26	31	3400	5.6	198	21	0.827	61
AA15050L02X		230	220~240	0.16/0.17	36	2850	4.7	166	17.57	0.693	57
AA15050M02X		230	220~240	0.16/0.17	35	3400	5.6	198	21	0.827	61



TKFAN®

UL US CE RoHS

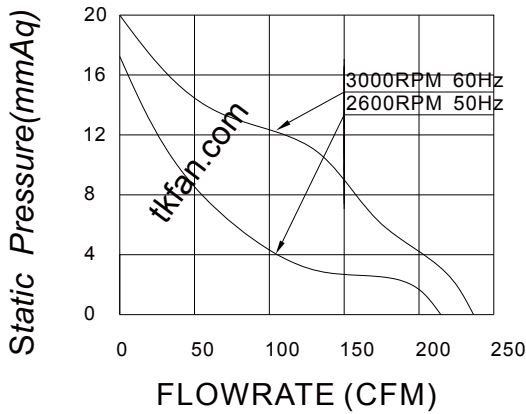
# AC Brushless FAN 172x150x38mm-A Type

版次Version 2017-4-12

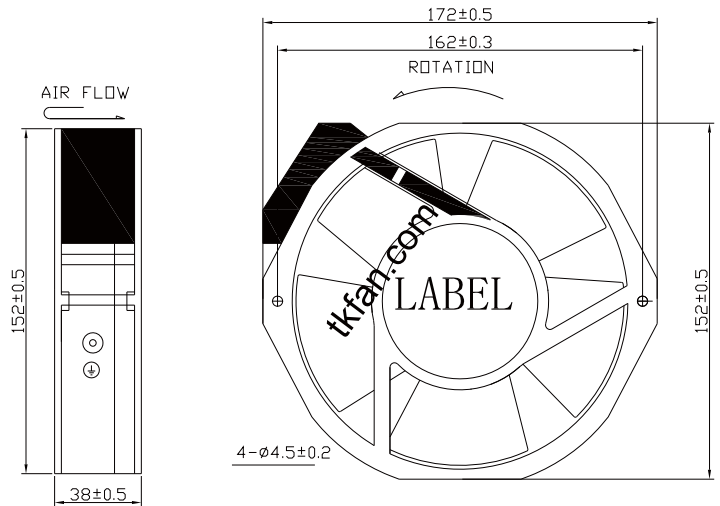
轴承结构：双滚珠、含油  
 Bearing: two ball、sleeve、  
 框外材质: 铝(等级:UL94V-0)  
 Frame:Aluminum(Flammability:UL94V-0)  
 扇叶材质:塑胶:(等级:UL94V-0)  
 Impeller:Plastic:(Flammability:UL94V-0)  
 风扇单重:820g(Weight:820g)



## P@Q CURVE(AT RATEDVOLTAGE)



## DIMENSIONS DRAWING(unit:mm)



## 编码规则 Code Rule

例子 Example DCH12038H12B-A1701  
 DCH12038H12X-AY

Model No. is DCH12038H12X; Extro P/N code is AY

X means bearing type, can be S(sleeve bearing), can be B(ball bearing), can be Y(HY bearing), can be SU(sleeve with UL), can be BU(ball with UL), can be YU(HY with UL)

Y means special function code, it will be used for a certain parts no. or client.

产品型号 DCH12038H12X;附加代码 AY. X是一个不确定值,它代表了不同的轴承类型,

S(含油轴承),B(滚珠轴承),Y(液压轴承),SU(含油轴承带UL),BU(滚珠轴承带UL),YU(液压轴承带UL)

Y是一个不确定的值,它代表不同特殊风机功能,由具体客户或者料号来确定

Model	P/N Code	Rated Voltage	Operating Voltage Range	Rated Current	Rated Input Power	Speed	Maximum Air Flow		Maximum Air Pressure		Noise
型号	P/N 附加码	额定电压	工作电压范围	额定电	额定输入功	转速	最大风量		最大风压		噪音
PART.NO.	AY	VAC	VAC	Amp	Watt	R.P.M	M <sup>3</sup> /min	CFM	mmH <sub>2</sub> O	InH <sub>2</sub> O	dB-A
AA17238H01X		110	110-120	0.38/0.4	33/30	2600/3000	6.23/6.6	220/235	17.3/20.0	0.68/0.7	56/60
AA17238H02X		220	220-240	0.18	33/3	2600/3000	6.23/6.6	220/235	17.3/20.0	0.68/0.7	56/60
AA17238H03X		380	380-420	0.1	33/3	2600/3000	6.23/6.6	220/235	17.3/20.0	0.68/0.7	56/60



TKFAN®

C US CE RoHS

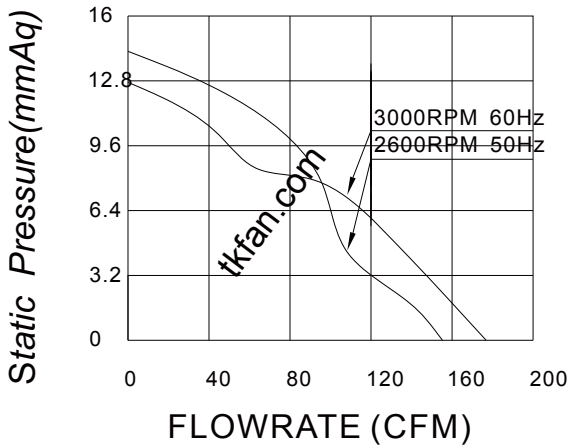
**AC Brushless FAN** Capacitor type  
**172x150x38mm-B Type**

版次Version 2017-4-12

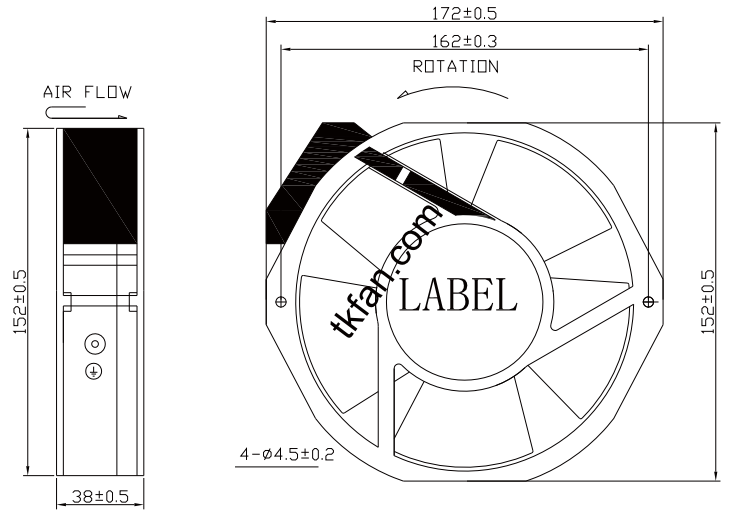
轴承结构：双滚珠、含油  
 Bearing: two ball、sleeve、  
 框外材质: 铝(等级:UL94V-0)  
 Frame:Aluminum(Flammability:UL94V-0)  
 扇叶材质:塑胶:(等级:UL94V-0)  
 Impeller:Plastic:(Flammability:UL94V-0)  
 风扇单重:760g(Weight:760g)



**P@Q CURVE(AT RATEDVOLTAGE)**



**DIMENSIONS DRAWING(unit:mm)**



**编码规则 Code Rule**

例子 Example DCH12038H12B-A1701  
 DCH12038H12X-AY

Model No. is DCH12038H12X; Extro P/N code is AY  
 X means bearing type, can be S(sleeve bearing), can be B(ball bearing), can be Y(HY bearing), can be SU(sleeve with UL), can be BU(ball with UL), can be YU(HY with UL)  
 Y means special function code, it will be used for a certain parts no. or client.  
 产品型号 DCH12038H12X;附加代码 AY. X是一个不确定值,它代表了不同的轴承类型,  
 S(含油轴承),B(滚珠轴承),Y(液压轴承),SU(含油轴承带UL),BU(滚珠轴承带UL),YU(液压轴承带UL)  
 Y是一个不确定的值,它代表不同特殊风机功能,由具体客户或者料号来确定

Model	P/N Code	Rated Voltage	Operating Voltage Range	Rated Current	Rated Input Power	Speed	Maximum Air Flow		Maximum Air Pressure		Noise
型号	P/N 附加码	额定电压	工作电压范围	额定电流	额定输入功	转速	最大风量		最大风压		噪音
PART.NO.	BY	VAC	VAC	Amp	Watt	R.P.M	M³/min	CFM	mmH2O	InH2O	dB-A
AA17238L01X		110	100-125	0.47	38	2600	4.3	152	14.09	0.555	52
AA17238M01X		110	100-125	0.47	35	3000	4.87	172	12.49	0.492	56
AA17238L02X		220	220-240	0.2	44	2600	4.3	152	14.09	0.555	52
AA17238M02X	220	220-240	0.2	40	3000	4.87	172	12.49	0.492	56	



TKFAN<sup>®</sup>

C<sup>®</sup> UL<sup>®</sup> US CE RoHS

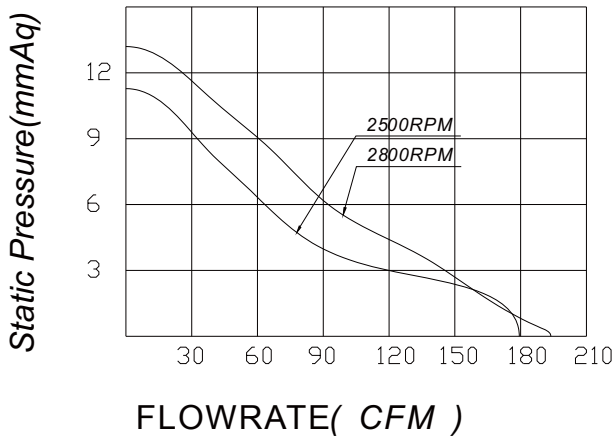
## AC Brushless FAN 172x150x38mm-C Type

版次Version 2019-9-10

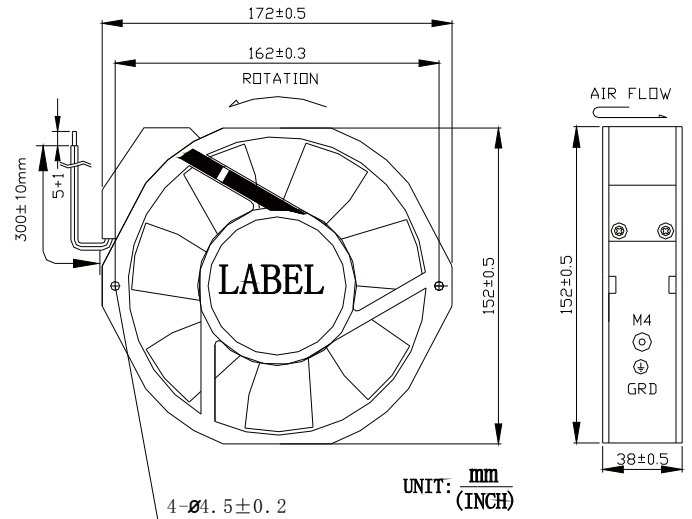
轴承结构：双滚珠、含油  
 Bearing: two ball、sleeve、  
 框外材质: 铝(等级:UL94V-0)  
 Frame:Aluminum(Flammability:UL94V-0)  
 扇叶材质:塑胶:(等级:UL94V-0)  
 Impeller:Plastic:(Flammability:UL94V-0)  
 风扇单重:702g(Weight:702g)



### P@Q CURVE(AT RATEDVOLTAGE)



### DIMENSIONS DRAWING(unit:mm)



### 编码规则 Code Rule

例子 Example DCH12038H12B-A1701  
 DCH12038H12X-AY

Model No. is DCH12038H12X; Extro P/N code is AY  
 X means bearing type, can be S(sleeve bearing), can be B(ball bearing), can be Y(HY bearing), can be SU(sleeve with UL), can be BU(ball with UL), can be YU(HY with UL)  
 Y means special function code, it will be used for a certain parts no. or client.  
 产品型号 DCH12038H12X;附加代码 AY. X是一个不确定值,它代表了不同的轴承类型,  
 S(含油轴承),B(滚珠轴承),Y(液压轴承),SU(含油轴承带UL),BU(滚珠轴承带UL),YU(液压轴承带UL)  
 Y是一个不确定的值,它代表不同特殊风机功能,由具体客户或者料号来确定

Model	P/N Code	Rated Voltage	Operating Voltage Range	Rated Current	Rated Input Power	Speed	Maximum Air Flow		Maximum Air Pressure		Noise
型号	P/N 附加码	额定电压	工作电压范围	额定电	额定输入功	转速	最大风量		最大风压		噪音
PART.NO.	CY	VAC	VAC	Amp	Watt	R.P.M	M <sup>3</sup> /min	CFM	mmH2O	InH2O	dB-A
AA17238L01X		110	100-125	0.3/0.35	34/38	2500/2800	5.1/5.5	179.5/195.7	11/13	0.43/0.5	57.5/59.7
AA17238L02X		220	220-240	0.18/0.2	40/44	2500/2800	5.1/5.5	179.5/195.7	11/13	0.43/0.5	57.5/59.7



TKFAN®

UL US CE RoHS

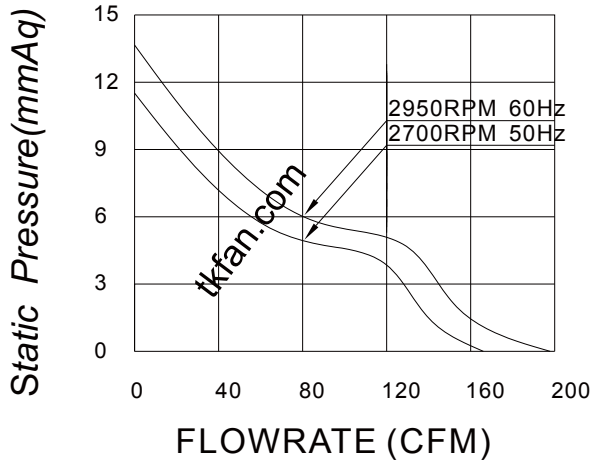
# AC Brushless FAN 172x150x51-A Type

版次Version 2017-4-12

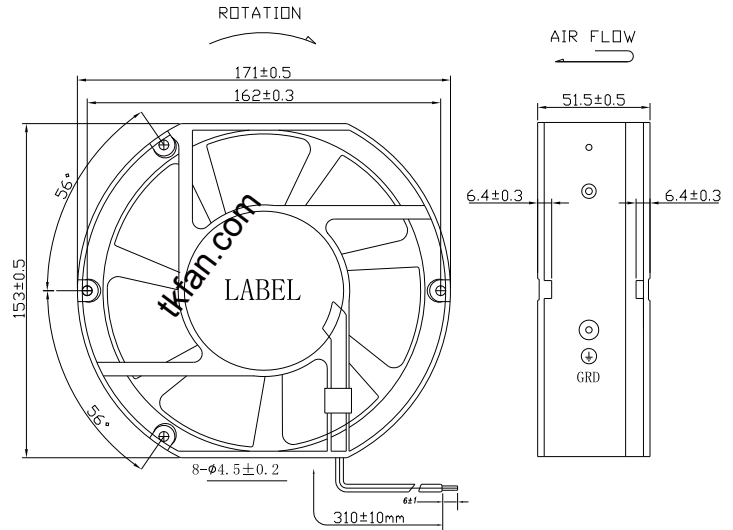
轴承结构：双滚珠、含油  
 Bearing: two ball、sleeve、  
 框外材质: 铝(等级:UL94V-0)  
 Frame:Aluminum(Flammability:UL94V-0)  
 扇叶材质:塑胶:(等级:UL94V-0)  
 Impeller:Plastic:(Flammability:UL94V-0)  
 风扇单重:908g(Weight:908g)



## P@Q CURVE(AT RATEDVOLTAGE)



## DIMENSIONS DRAWING(unit:mm)



## 编码规则 Code Rule

例子 Example DCH12038H12B-A1701  
 DCH12038H12X-AY

Model No. is DCH12038H12X; Extro P/N code is AY

X means bearing type, can be S(sleeve bearing), can be B(ball bearing), can be Y(HY bearing), can be SU(sleeve with UL), can be BU(ball with UL), can be YU(HY with UL)  
 Y means special function code, it will be used for a certain parts no. or client.

产品型号 DCH12038H12X;附加代码 AY. X是一个不确定值,它代表了不同的轴承类型,

S(含油轴承),B(滚珠轴承),Y(液压轴承),SU(含油轴承带UL),BU(滚珠轴承带UL),YU(液压轴承带UL)

Y是一个不确定的值,它代表不同特殊风机功能,由具体客户或者料号来确定

Model	P/N Code	Rated Voltage	Operating Voltage Range	Rated Current	Rated Input Power	Speed	Maximum Air Flow		Maximum Air Pressure		Noise
型号	P/N 附加码	额定电压	工作电压范围	额定电	额定输入功	转速	最大风量		最大风压		噪音
PART.NO.	AY	VAC	VAC	Amp	Watt	R.P.M	M³/min	CFM	mmH2O	InH2O	dB-A
AA17251L01X		110	110-125	0.4	26/28	2700/2950	4.7/5.6	166/198	11.3/13.8	0.44/0.5	52/62
AA17251L02X		220	220-240	0.20	26/28	2700/2950	4.7/5.6	166/198	11.3/13.8	0.44/0.5	52/62



TKFAN®

UL US CE RoHS

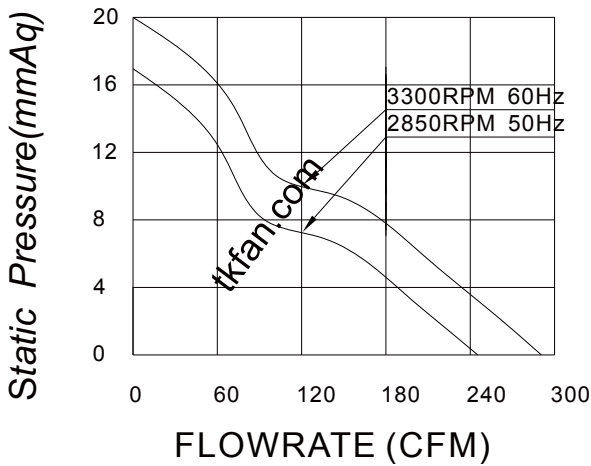
**AC Brushless FAN** Capacitor type  
**172x150x51-C Type**

版次Version 2017-4-12

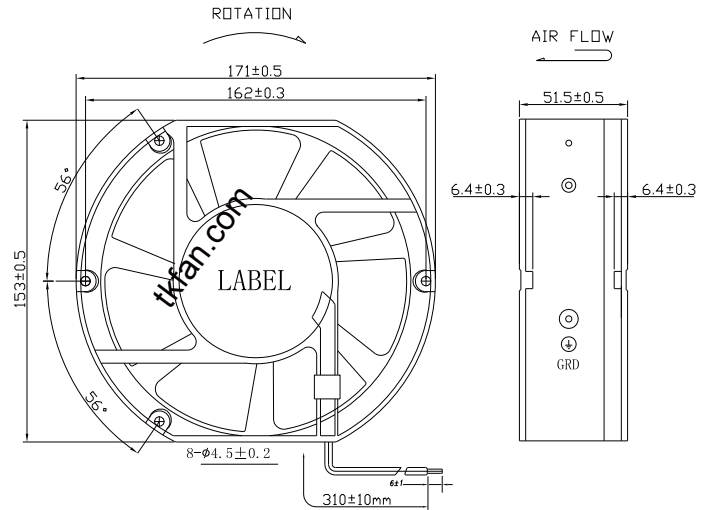
轴承结构：双滚珠、含油  
 Bearing: two ball、sleeve、  
 框外材质: 铝(等级:UL94V-0)  
 Frame:Aluminum(Flammability:UL94V-0)  
 扇叶材质:塑胶:(等级:UL94V-0)  
 Impeller:Plastic:(Flammability:UL94V-0)  
 风扇单重:1000g(Weight:1000g)



**P@Q CURVE(AT RATEDVOLTAGE)**



**DIMENSIONS DRAWING(unit:mm)**



**编码规则 Code Rule**

例子 Example DCH12038H12B-A1701  
 DCH12038H12X-AY

Model No. is DCH12038H12X; Extro P/N code is AY  
 X means bearing type, can be S(sleeve bearing), can be B(ball bearing), can be Y(HY bearing), can be SU(sleeve with UL), can be BU(ball with UL), can be YU(HY with UL)  
 Y means special function code, it will be used for a certain parts no. or client.  
 产品型号 DCH12038H12X;附加代码 AY. X是一个不确定值,它代表了不同的轴承类型,  
 S(含油轴承),B(滚珠轴承),Y(液压轴承),SU(含油轴承带UL),BU(滚珠轴承带UL),YU(液压轴承带UL)  
 Y是一个不确定的值,它代表不同特殊风机功能,由具体客户或者料号来确定

Model	P/N Code	Rated Voltage	Operating Voltage Range	Rated Current	Rated Input Power	Speed	Maximum Air Flow		Maximum Air Pressure		Noise
型号	P/N 附加码	额定电压	工作电压范围	额定电流	额定输入功	转速	最大风量		最大风压		噪音
PART.NO.	CY	VAC	VAC	Amp	Watt	R.P.M	M³/min	CFM	mmH2O	InH2O	dB-A
AA17251L01X		110	100-125	0.35/0.4	46	2850	6.93	245	16.99	0.669	53
AA17251M01X		110	100-125	0.35/0.4	50	3300	8.21	290	19.98	0.787	57
AA17251L02X		220	220-240	0.20/0.22	46	2850	6.93	245	16.99	0.669	53
AA17251M02X	220	220-240	0.20/0.22	50	3300	8.21	290	19.98	0.787	57	



TKFAN®

UL US CE RoHS

# AC Brushless FAN 172x150x55-B Type

版次Version 2017-4-12

轴承结构：双滚珠

Bearing: two ball

框外材质: 铝(等级:UL94V-0)

Frame:Aluminum(Flammability:UL94V-0)

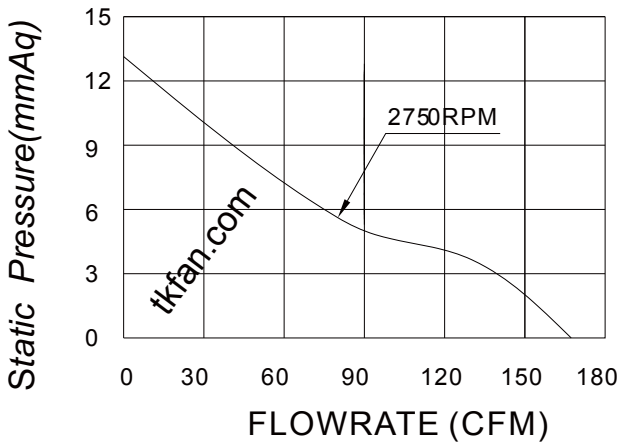
扇叶材质:铁:(等级:UL94V-0)

Impeller: Metal impeller:(Flammability:UL94V-0)

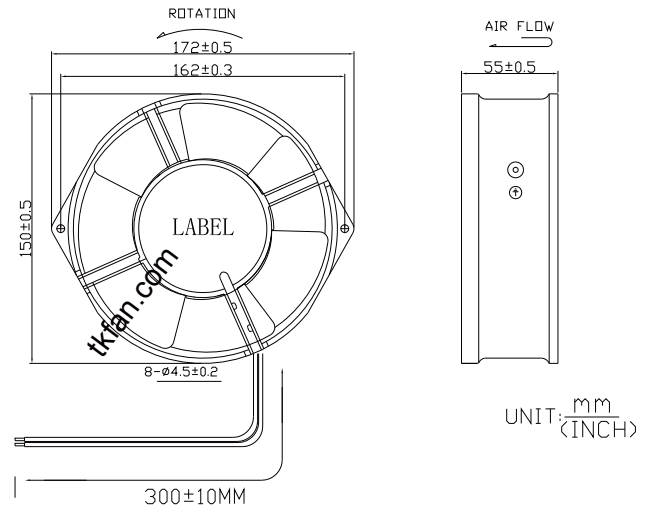
风扇单重:1000g(Weight:1000g)



## P@Q CURVE(AT RATEDVOLTAGE)



## DIMENSIONS DRAWING(unit:mm)



## 编码规则 Code Rule

例子 Example DCH12038H12B-A1701  
DCH12038H12X-AY

Model No. is DCH12038H12X; Extro P/N code is AY

X means bearing type, can be S(sleeve bearing), can be B(ball bearing), can be Y(HY bearing), can be SU(sleeve with UL), can be BU(ball with UL), can be YU(HY with UL)

Y means special function code, it will be used for a certain parts no. or client.

产品型号 DCH12038H12X;附加代码 AY. X是一个不确定值,它代表了不同的轴承类型,

S(含油轴承),B(滚珠轴承),Y(液压轴承),SU(含油轴承带UL),BU(滚珠轴承带UL),YU(液压轴承带UL)

Y是一个不确定的值,它代表不同特殊风机功能,由具体客户或者料号来确定

Model	P/N Code	Rated Voltage	Operating Voltage Range	Rated Current	Rated Input Power	Speed	Maximum Air Flow		Maximum Air Pressure		Noise
型号	P/N 附加码	额定电压	工作电压范围	额定电流	额定输入功率	转速	最大风量		最大风压		噪音
PART.NO.	BY	VAC	VAC	Amp	Watt	R.P.M	M³/min	CFM	mmH2O	InH2O	dB-A
AA17255H01B		110/50HZ	100~120	0.47	40.8	2760	4.742	166.	13.22	0.52	56.8
AA17255H02B		220/50HZ	220~240	0.23	38	2750	4.615	162.	13.22	0.52	56.6
AA17251H03B		380	280~380	0.30	46	2750	4.615	162.	13.22	0.52	56.6
AA17251H04B		110/220	double voltage	0.47	40.8	2760	4.742	166.	13.22	0.52	56.8
				0.23	38	2750	4.615	162.	13.22	0.52	56.6



TKFAN®

C<sub>UL</sub> US CE RoHS

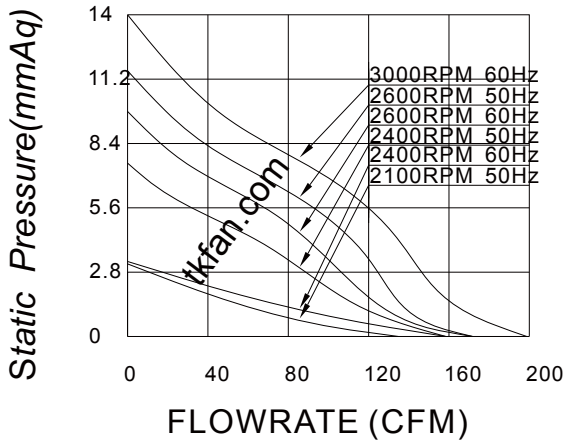
# AC Brushless FAN 180x180x60-A Type

版次Version 2017-4-12

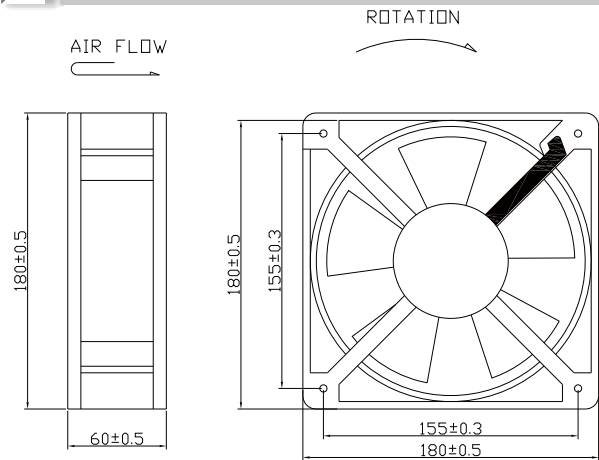
轴承结构：双滚珠、含油  
 Bearing: two ball、sleeve、  
 框外材质: 铝(等级:UL94V-0)  
 Frame:Aluminum(Flammability:UL94V-0)  
 扇叶材质:塑胶:(等级:UL94V-0)  
 Impeller:Plastic:(Flammability:UL94V-0)  
 风扇单重:950g(Weight:950g)



## P@Q CURVE(AT RATEDVOLTAGE)



## DIMENSIONS DRAWING(unit:mm)



## 编码规则 Code Rule

例子 Example DCH12038H12B-A1701  
 DCH12038H12X-AY

Model No. is DCH12038H12X; Extro P/N code is AY

X means bearing type, can be S(sleeve bearing), can be B(ball bearing), can be Y(HY bearing), can be SU(sleeve with UL), can be BU(ball with UL), can be YU(HY with UL)

Y means special function code, it will be used for a certain parts no. or client.

产品型号 DCH12038H12X;附加代码 AY. X是一个不确定值,它代表了不同的轴承类型,

S(含油轴承),B(滚珠轴承),Y(液压轴承),SU(含油轴承带UL),BU(滚珠轴承带UL),YU(液压轴承带UL)

Y是一个不确定的值,它代表不同特殊风机功能,由具体客户或者料号来确定

Model	P/N Code	Rated Voltage	Operating Voltage Range	Rated Current	Rated Input Power	Speed	Maximum Air Flow		Maximum Air Pressure		Noise
型号	P/N 附加码	额定电压	工作电压范围	额定电流	额定输入功	转速	最大风量		最大风压		噪音
PART.NO.	AY	VAC	VAC	Amp	Watt	R.P.M	M³/min	CFM	mmH2O	InH2O	dB-A
AA18060H03X		380	380	0.13	38/36	2600/3000	4.76/5.4	170/196	11.5/14.0	0.45/0.5	49/56
AA18060H02X		230	230	0.23	38/36	2600/3000	4.76/5.4	170/196	11.5/14.0	0.45/0.5	49/56
AA18060M02X		230	230	0.18	28/27	2400/2600	4.34/4.7	155/170	7.5/9.7	0.30/0.3	45/49
AA18060L02X		230	230	0.12	21/20	2100/2400	3.84/4.3	137/155	3.0/3.9	0.12/0.1	39/45
AA18060H01X		120	120	0.45	38/36	2600/3000	4.76/5.4	170/196	11.5/14.0	0.45/0.5	49/56
AA18060M01X		120	120	0.30	28/27	2400/2600	4.34/4.7	155/170	7.5/9.7	0.30/0.3	45/49
AA18060L01X		120	120	0.15	21/20	2100/2400	3.84/4.3	137/155	3.0/3.9	0.12/0.1	39/45



TKFAN®

UL US CE RoHS

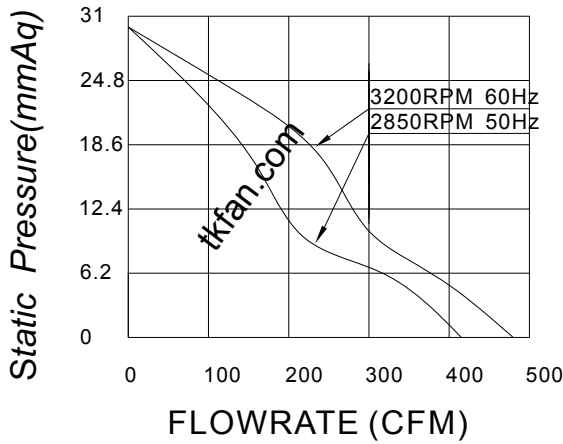
**AC Brushless FAN** Capacitor type  
**180x180x60-B Type**

版次Version 2017-4-12

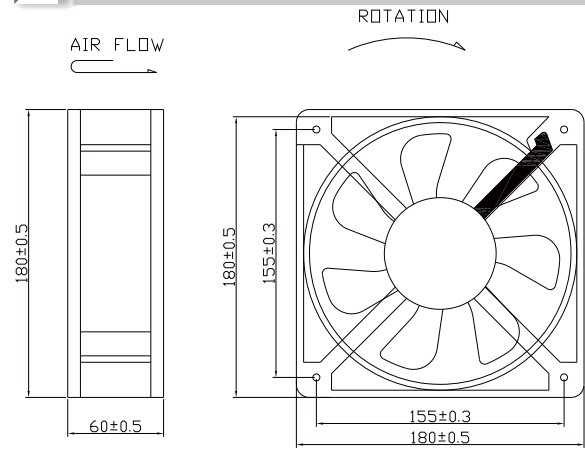
轴承结构：双滚珠、含油  
 Bearing: two ball、sleeve、  
 框外材质: 铝(等级:UL94V-0)  
 Frame:Aluminum(Flammability:UL94V-0)  
 扇叶材质:塑胶:(等级:UL94V-0)  
 Impeller:Plastic:(Flammability:UL94V-0)  
 风扇单重:950g(Weight:950g)



**P@Q CURVE(AT RATEDVOLTAGE)**



**DIMENSIONS DRAWING(unit:mm)**



**编码规则 Code Rule**

例子 Example DCH12038H12B-A1701  
 DCH12038H12X-AY

Model No. is DCH12038H12X; Extro P/N code is AY  
 X means bearing type, can be S(sleeve bearing), can be B(ball bearing), can be Y(HY bearing), can be SU(sleeve with UL), can be BU(ball with UL), can be YU(HY with UL)  
 Y means special function code, it will be used for a certain parts no. or client.  
 产品型号 DCH12038H12X;附加代码 AY. X是一个不确定值,它代表了不同的轴承类型,  
 S(含油轴承),B(滚珠轴承),Y(液压轴承),SU(含油轴承带UL),BU(滚珠轴承带UL),YU(液压轴承带UL)  
 Y是一个不确定的值,它代表不同特殊风机功能,由具体客户或者料号来确定

Model	P/N Code	Rated Voltage	Operating Voltage Range	Rated Current	Rated Input Power	Speed	Maximum Air Flow		Maximum Air Pressure		Noise
型号	P/N 附加码	额定电压	工作电压范围	额定电流	额定输入功	转速	最大风量		最大风压		噪音
PART.NO.	BY	VAC	VAC	Amp	Watt	R.P.M	M³/min	CFM	mmH2O	InH2O	dB-A
AA18060L01X		110	100-125	0.32/0.42	48	2850	11.89	420	30.48	1.20	56
AA18060M01X		110	100-125	0.22/0.24	52	3200	13.59	480	30.48	1.20	60
AA18060L02X		220	220-240	0.32/0.42	48	2850	11.89	420	30.48	1.20	56
AA18060M02X	220	220-240	0.22/0.24	52	3200	13.59	480	30.48	1.20	60	



TKFAN®

C US RoHS

# AC Brushless FAN 200x200x60-A Type

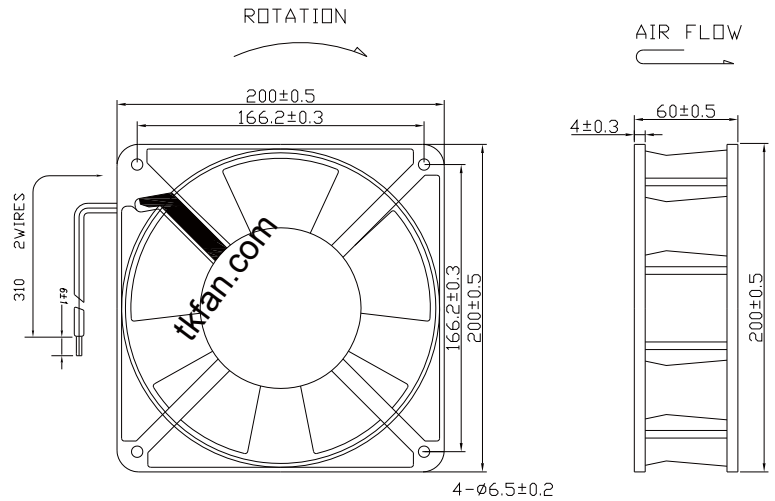
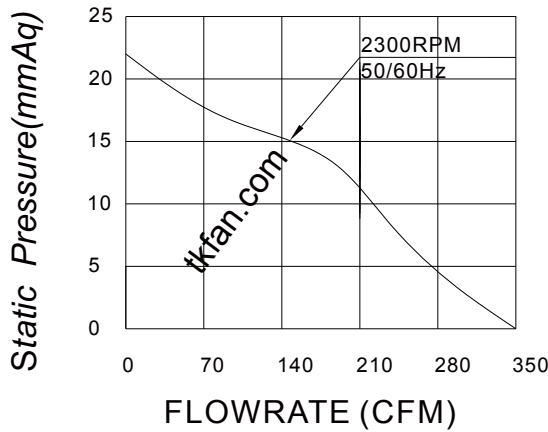
版次Version 2017-4-12

轴承结构：双滚珠、含油  
 Bearing: two ball、sleeve、  
 框外材质: 铝(等级:UL94V-0)  
 Frame:Aluminum(Flammability:UL94V-0)  
 扇叶材质:塑胶:(等级:UL94V-0)  
 Impeller:Plastic:(Flammability:UL94V-0)  
 风扇单重:1540g(Weight:1540g)



## P@Q CURVE(AT RATEDVOLTAGE)

## DIMENSIONS DRAWING(unit:mm)



## 编码规则 Code Rule

例子 Example DCH12038H12B-A1701  
 DCH12038H12X-AY

Model No. is DCH12038H12X; Extro P/N code is AY

X means bearing type, can be S(sleeve bearing), can be B(ball bearing), can be Y(HY bearing), can be SU(sleeve with UL), can be BU(ball with UL), can be YU(HY with UL)

Y means special function code, it will be used for a certain parts no. or client.

产品型号 DCH12038H12X;附加代码 AY. X是一个不确定值,它代表了不同的轴承类型,

S(含油轴承),B(滚珠轴承),Y(液压轴承),SU(含油轴承带UL),BU(滚珠轴承带UL),YU(液压轴承带UL)

Y是一个不确定的值,它代表不同特殊风机功能,由具体客户或者料号来确定

Model	P/N Code	Rated Voltage	Operating Voltage Range	Rated Current	Rated Input Power	Speed	Maximum Air Flow		Maximum Air Pressure		Noise
型号	P/N 附加码	额定电压	工作电压范围	额定电流	额定输入功率	转速	最大风量		最大风压		噪音
PART.NO.	AY	VAC	VAC	Amp	Watt	R.P.M	M³/min	CFM	mmH2O	InH2O	dB-A
AA20060H03X		380	50Hz	0.30	65	2300	9.8	350	22.0	0.80	54
AA20060H02X		220	60Hz	0.45	65	2300	9.8	350	22.0	0.80	54



TKFAN<sup>®</sup>

C<sup>®</sup> UL<sup>®</sup> US CE RoHS

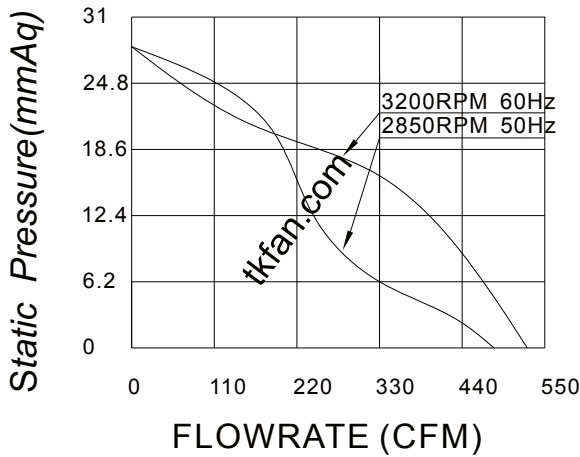
**AC Brushless FAN** Capacitor type  
**200x200x60-B Type**

版次Version 2017-4-12

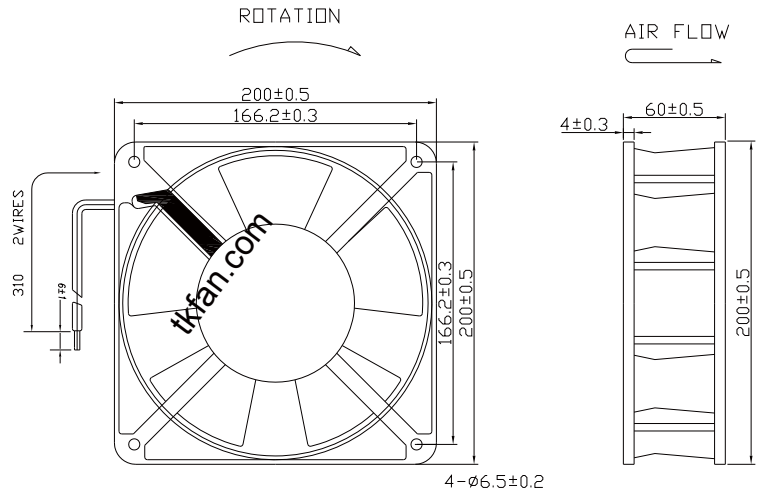
轴承结构：双滚珠、含油  
 Bearing: two ball、sleeve、  
 框外材质: 铝(等级:UL94V-0)  
 Frame:Aluminum(Flammability:UL94V-0)  
 扇叶材质:塑胶:(等级:UL94V-0)  
 Impeller:Plastic:(Flammability:UL94V-0)  
 风扇单重:1540g(Weight:1540g)



**P@Q CURVE(AT RATEDVOLTAGE)**



**DIMENSIONS DRAWING(unit:mm)**



**编码规则 Code Rule**

例子 Example DCH12038H12B-A1701  
 DCH12038H12X-AY

Model No. is DCH12038H12X; Extro P/N code is AY  
 X means bearing type, can be S(sleeve bearing), can be B(ball bearing), can be Y(HY bearing), can be SU(sleeve with UL), can be BU(ball with UL), can be YU(HY with UL)  
 Y means special function code, it will be used for a certain parts no. or client.  
 产品型号 DCH12038H12X;附加代码 AY. X是一个不确定值,它代表了不同的轴承类型,  
 S(含油轴承),B(滚珠轴承),Y(液压轴承),SU(含油轴承带UL),BU(滚珠轴承带UL),YU(液压轴承带UL)  
 Y是一个不确定的值,它代表不同特殊风机功能,由具体客户或者料号来确定

Model	P/N Code	Rated Voltage	Operating Voltage Range	Rated Current	Rated Input Power	Speed	Maximum Air Flow		Maximum Air Pressure		Noise
型号	P/N 附加码	额定电压	工作电压范围	额定电流	额定输入功	转速	最大风量		最大风压		噪音
PART.NO.	BY	VAC	VAC	Amp	Watt	R.P.M	M³/min	CFM	mmH2O	InH2O	dB-A
AA20060L01X		110	100-125	0.28/0.30	32	2850	13.59	480	30.48	1.20	52
AA20060M01X		110	100-125	0.16/0.17	35	3200	14.72	520	30.48	1.20	54
AA20060L02X		220	220-240	0.28/0.30	32	2850	13.59	480	30.48	1.20	52
AA20060M02X		220	220-240	0.16/0.17	35	3200	14.72	520	30.48	1.20	54



TKFAN®

C US RoHS

## AC Brushless FAN 200x200x70mm-A Type

版次Version 2018-9-10

轴承结构：双滚珠、含油

Bearing: Ball、sleeve

框外材质: 铝(等级:UL94V-0)

Frame:Aluminum(Flammability:UL94V-0)

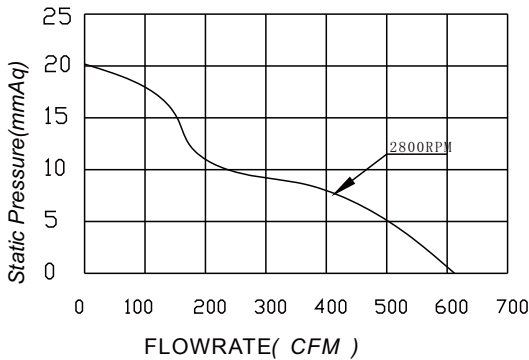
扇叶材质:塑胶:(等级:UL94V-0)

Impeller:Plastic:(Flammability:UL94V-0)

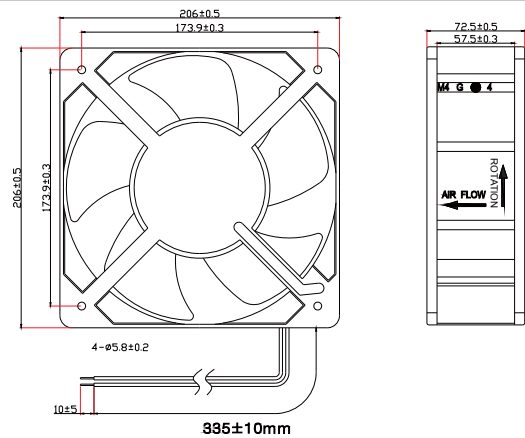
风扇单重:2330g(Weight:2330g)



### P@Q CURVE(AT RATEDVOLTAGE)



### DIMENSIONS DRAWING(unit:mm)



### 编码规则 Code Rule

例子 Example DCH12038H12B-A1701  
DCH12038H12X-AY

Model No. is DCH12038H12X; Extro P/N code is AY

X means bearing type, can be S(sleeve bearing), can be B(ball bearing), can be Y(HY bearing), can be SU(sleeve with UL), can be BU(ball with UL), can be YU(HY with UL)

Y means special function code, it will be used for a certain parts no. or client.

产品型号 DCH12038H12X;附加代码 AY. X是一个不确定值,它代表了不同的轴承类型,

S(含油轴承),B(滚珠轴承),Y(液压轴承),SU(含油轴承带UL),BU(滚珠轴承带UL),YU(液压轴承带UL)

Y是一个不确定的值,它代表不同特殊风机功能,由具体客户或者料号来确定

Model	P/N Code	Rated Voltage	Operating Voltage Range	Rated Current	Rated Input Power	Speed	Maximum Air Flow		Maximum Air Pressure		Noise
型号	P/N 附加码	额定电压	工作电压范围	额定电流	额定输入功率	转速	最大风量		最大风压		噪音
PART.NO.	AY	VAC	VAC	Amp	Watt	R.P.M	M³/min	CFM	mmH2O	InH2O	dB-A
AA20070L01X		110	110-120	0.650	66.7	2800	17.303	611.08	20.15	0.793	67.30
AA20070L02X		220	220-240	0.310	66.7	2800	17.303	611.08	20.15	0.793	67.30



TKFAN®

UL US CE RoHS

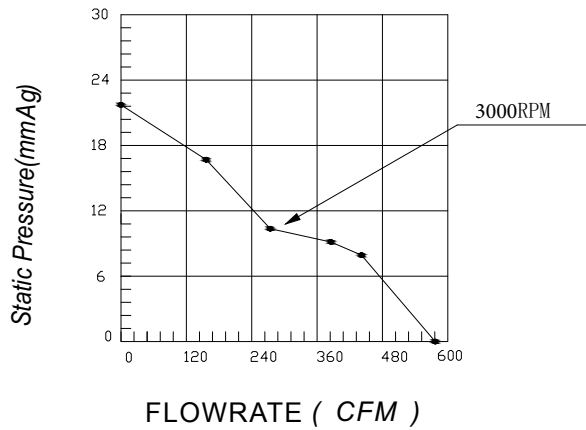
# AC Brushless FAN 200x200x70mm-B Type

版次 Version 2022-11-17

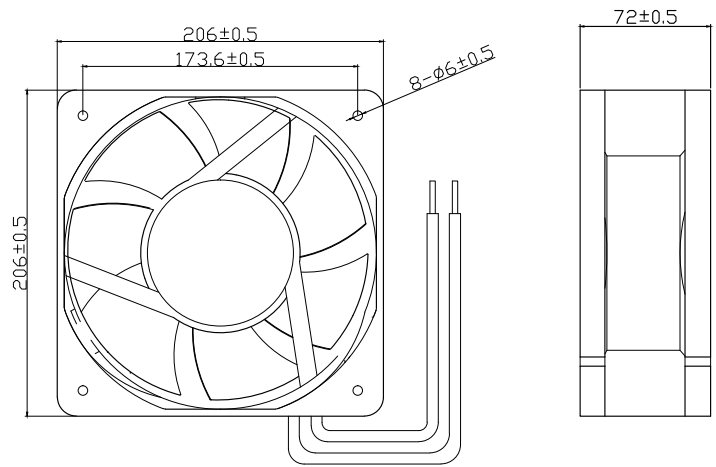


轴承结构：双滚珠  
 Bearing: Two ball  
 框外材质: 铝(等级:UL94V-0)  
 Frame:Aluminum(Flammability:UL94V-0)  
 扇叶材质:塑胶:(等级:UL94V-0)  
 Impeller:Plastic:(Flammability:UL94V-0)  
 风扇单重:2337g(Weight:2337g)

## P@Q CURVE(AT RATEDVOLTAGE)



## DIMENSIONS DRAWING(unit:mm)



## 编码规则 Code Rule

例子 Example DCH12038H12B-DAH1701  
 DCH12038H12X-AY

Model No. is DCH12038H12X; Extro P/N code is AY  
 X means bearing type, can be S(sleeve bearing), can be B(ball bearing), can be Y(HY bearing), can be SU(sleeve with UL), can be BU(ball with UL), can be YU(HY with UL)  
 Y means special function code, it will be used for a certain parts no. or client.  
 产品型号 DCH12038H12X;附加代码 AY. X是一个不确定值,它代表了不同的轴承类型,  
 S(含油轴承),B(滚珠轴承),Y(液压轴承),SU(含油轴承带UL),BU(滚珠轴承带UL),YU(液压轴承带UL)  
 Y是一个不确定的值,它代表不同特殊风机功能,由具体客户或者料号来确定

Model	P/N Code	Rated Voltage	Operating Voltage Range	Rated Current	Rated Input Power	Speed	Maximum Air Flow		Maximum Air Pressure		Noise
型号	P/N 附加码	额定电压	工作电压范围	额定电流	额定输入功率	转速	最大风量		最大风压		噪音
PART.NO.	BY	VAC	VAC	Amp	Watt	R.P.M	M³/min	CFM	mmH2O	InH2O	dB-A
AA20070H01X		110	110~120	0.56	60.6	3000	16.33	576.77	21.72	0.85	66.8
AA20070H02X		220	220~240	0.28	60.6	3000	16.33	576.77	21.72	0.85	66.8



TKFAN®

C US CE RoHS

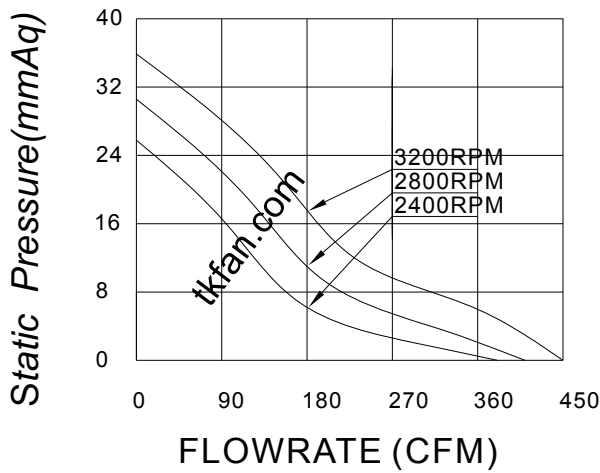
# AC Brushless FAN Ø220x60mm-A Type

版次Version 2017-4-12

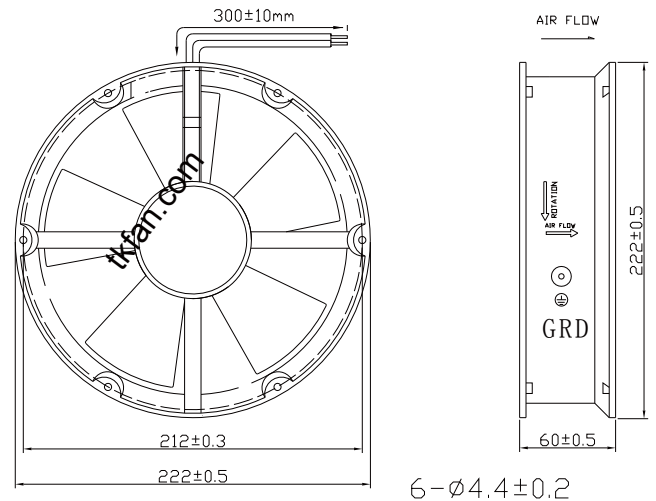
轴承结构：双滚珠  
 Bearing: two ball  
 框外材质: 塑胶(等级:UL94V-0)  
 Frame:Plastic(Flammability:UL94V-0)  
 扇叶材质:铁:(等级:UL94V-0)  
 Impeller: Metal impeller:(Flammability:UL94V-0)  
 风扇单重:1400g(Weight:1400g)



## P@Q CURVE(AT RATEDVOLTAGE)



## DIMENSIONS DRAWING(unit:mm)



## 编码规则 Code Rule

例子 Example DCH12038H12B-A1701  
 DCH12038H12X-AY

Model No. is DCH12038H12X; Extro P/N code is AY  
 X means bearing type, can be S(sleeve bearing), can be B(ball bearing), can be Y(HY bearing), can be SU(sleeve with UL), can be BU(ball with UL), can be YU(HY with UL)  
 Y means special function code, it will be used for a certain parts no. or client.  
 产品型号 DCH12038H12X;附加代码 AY. X是一个不确定值,它代表了不同的轴承类型,  
 S(含油轴承),B(滚珠轴承),Y(液压轴承),SU(含油轴承带UL),BU(滚珠轴承带UL),YU(液压轴承带UL)  
 Y是一个不确定的值,它代表不同特殊风机功能,由具体客户或者料号来确定

Model	P/N Code	Rated Voltage	Operating Voltage Range	Rated Current	Rated Input Power	Speed	Maximum Air Flow		Maximum Air Pressure		Noise
型号	P/N 附加码	额定电压	工作电压范围	额定电流	额定输入功率	转速	最大风量		最大风压		噪音
PART.NO.	AY	VAC	VAC	Amp	Watt	R.P.M	M³/min	CFM	mmH2O	InH2O	dB-A
AA22060L01X		110	110~120	0.76/0.77	57/58	2400	10.98	388	25.4	1	56
AA22060H01X		110	110~120	0.42/0.46	50/60	2800/32	11.32/12	400/	28/36	1.1/1.4	61/66
AA22060L02X		220	220~240	0.28/0.29	40/38	2400	10.98	388	25.4	1	56
AA22060H02X	220	220~240	0.26/0.26	50/60	2800/32	11.32/12	400/	28/36	1.1/1.4	61/66	



TKFAN®

UL US CE RoHS

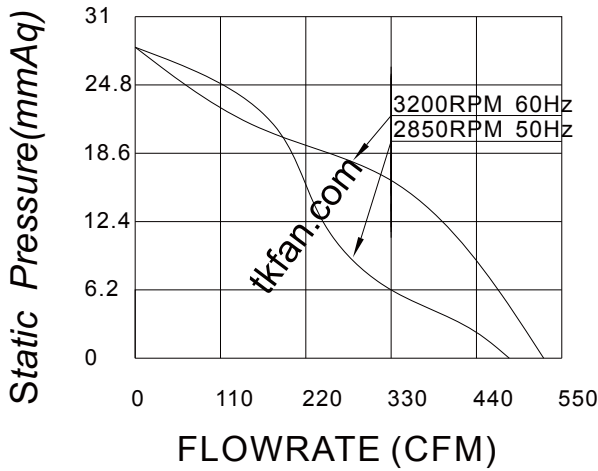
# AC Brushless FAN Capacitor type Ø220x60mm-B Type

版次Version 2017-4-12

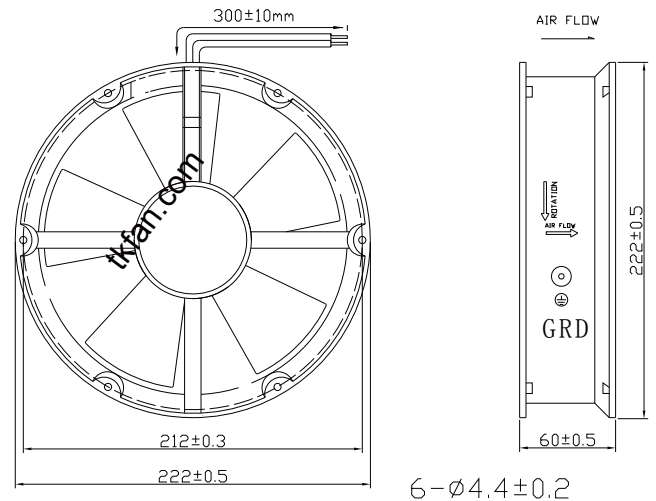
轴承结构：双滚珠  
 Bearing: two ball  
 框外材质: 塑胶(等级:UL94V-0)  
 Frame:Plastic(Flammability:UL94V-0)  
 扇叶材质:铁:(等级:UL94V-0)  
 Impeller: Metal impeller:(Flammability:UL94V-0)  
 风扇单重:1400g(Weight:1400g)



## P@Q CURVE(AT RATEDVOLTAGE)



## DIMENSIONS DRAWING(unit:mm)



## 编码规则 Code Rule

例子 Example DCH12038H12B-A1701  
 DCH12038H12X-AY

Model No. is DCH12038H12X; Extro P/N code is AY  
 X means bearing type, can be S(sleeve bearing), can be B(ball bearing), can be Y(HY bearing), can be SU(sleeve with UL), can be BU(ball with UL), can be YU(HY with UL)  
 Y means special function code, it will be used for a certain parts no. or client.  
 产品型号 DCH12038H12X;附加代码 AY. X是一个不确定值,它代表了不同的轴承类型,  
 S(含油轴承),B(滚珠轴承),Y(液压轴承),SU(含油轴承带UL),BU(滚珠轴承带UL),YU(液压轴承带UL)  
 Y是一个不确定的值,它代表不同特殊风机功能,由具体客户或者料号来确定

Model	P/N Code	Rated Voltage	Operating Voltage Range	Rated Current	Rated Input Power	Speed	Maximum Air Flow		Maximum Air Pressure		Noise
型号	P/N 附加码	额定电压	工作电压范围	额定电流	额定输入功率	转速	最大风量		最大风压		噪音
PART.NO.	BY	VAC	VAC	Amp	Watt	R.P.M	M³/min	CFM	mmH2O	InH2O	dB-A
AA22060L01X		110	110~120	0.28/0.30	32	2850	13.59	480	30.48	1.20	52
AA22060H01X		110	110~120	0.16/0.17	35	3200	14.72	520	30.48	1.20	54
AA22060L02X		220	220~240	0.28/0.30	32	2850	13.59	480	30.48	1.20	52
AA22060H02X	220	220~240	0.16/0.17	35	3200	14.72	520	30.48	1.20	54	



TKFAN®

C US RoHS

# AC Brushless FAN Ø254x89mm-A Type

版次Version 2017-4-12

轴承结构：双滚珠

Bearing: two ball

框外材质: 塑胶(等级:UL94V-0)

Frame:Plastic(Flammability:UL94V-0)

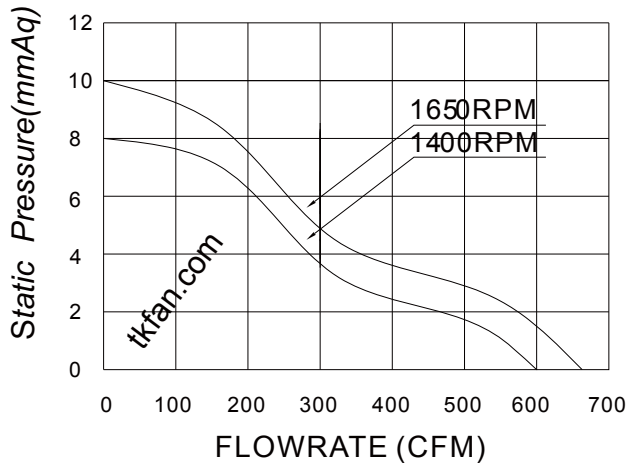
扇叶材质:铁:(等级:UL94V-0)

Impeller: Metal impeller:(Flammability:UL94V-0)

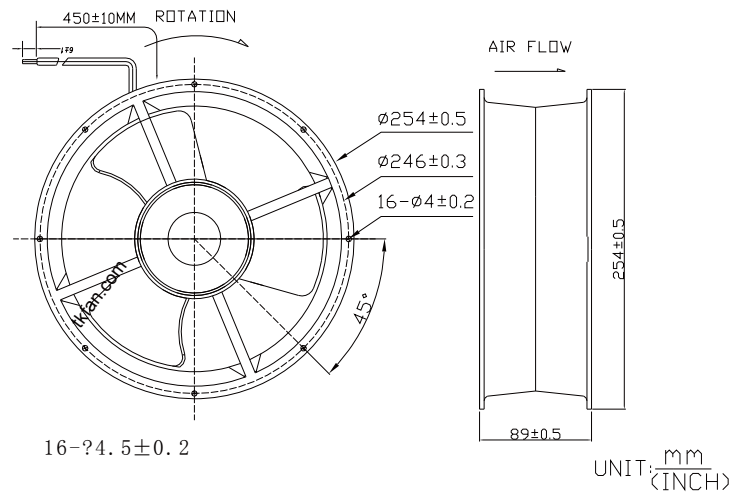
风扇单重:2600g(Weight:2600g)



## P@Q CURVE(AT RATEDVOLTAGE)



## DIMENSIONS DRAWING(unit:mm)



## 编码规则 Code Rule

例子 Example DCH12038H12B-A1701  
DCH12038H12X-AY

Model No. is DCH12038H12X; Extro P/N code is AY

X means bearing type, can be S(sleeve bearing), can be B(ball bearing), can be Y(HY bearing), can be SU(sleeve with UL), can be BU(ball with UL), can be YU(HY with UL)

Y means special function code, it will be used for a certain parts no. or client.

产品型号 DCH12038H12X;附加代码 AY. X是一个不确定值,它代表了不同的轴承类型,

S(含油轴承),B(滚珠轴承),Y(液压轴承),SU(含油轴承带UL),BU(滚珠轴承带UL),YU(液压轴承带UL)

Y是一个不确定的值,它代表不同特殊风机功能,由具体客户或者料号来确定

Model	P/N Code	Rated Voltage	Operating Voltage Range	Rated Current	Rated Input Power	Speed	Maximum Air Flow		Maximum Air Pressure		Noise
型号	P/N 附加码	额定电压	工作电压范围	额定电流	额定输入功率	转速	最大风量		最大风压		噪音
PART.NO.	AY	VAC	VAC	Amp	Watt	R.P.M	M³/min	CFM	mmH2O	InH2O	dB-A
AA25489L01X		110	50Hz	0.28/0.30	32	1400	16.99	600	8	0.315	52
AA25489H01X		110	50Hz	0.16/0.17	35	1650	18.83	665	10	0.394	55
AA25489L02X		220	60Hz	0.28/0.30	32	1400	16.99	600	8	0.315	52
AA25489H02X	220	60Hz	0.16/0.17	35	1650	18.83	665	10	0.394	55	



TKFAN®

UL US CE RoHS

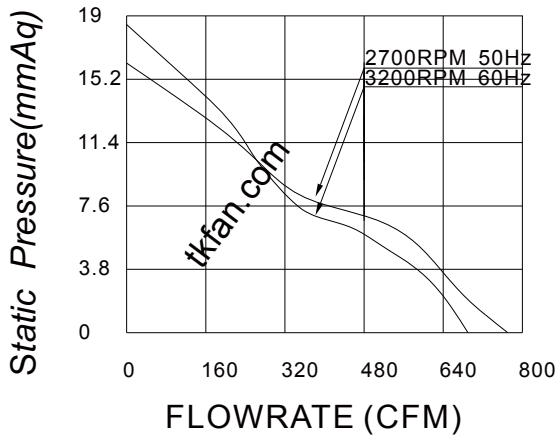
# AC Brushless FAN Ø254x89mm-B Type

版次Version 2017-4-12

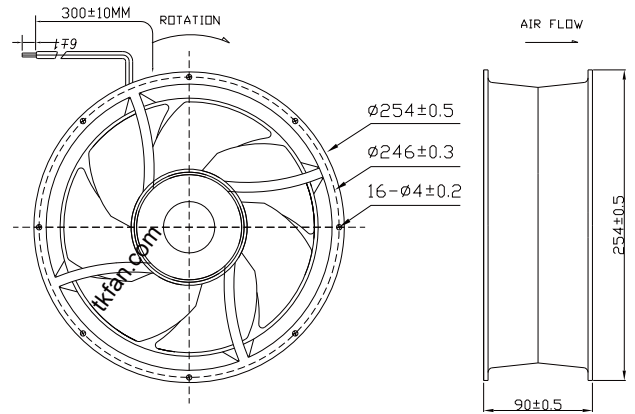
轴承结构：双滚珠  
 Bearing: two ball  
 框外材质: 铝(等级:UL94V-0)  
 Frame:Aluminum(Flammability:UL94V-0)  
 扇叶材质:铁:(等级:UL94V-0)  
 Impeller: Metal impeller:(Flammability:UL94V-0)  
 风扇单重:2600g(Weight:2600g)



## P@Q CURVE(AT RATEDVOLTAGE)



## DIMENSIONS DRAWING(unit:mm)



## 编码规则 Code Rule

例子 Example DCH12038H12B-A1701  
 DCH12038H12X-AY

Model No. is DCH12038H12X; Extro P/N code is AY

X means bearing type, can be S(sleeve bearing), can be B(ball bearing), can be Y(HY bearing), can be SU(sleeve with UL), can be BU(ball with UL), can be YU(HY with UL)

Y means special function code, it will be used for a certain parts no. or client.

产品型号 DCH12038H12X;附加代码 AY. X是一个不确定值,它代表了不同的轴承类型,

S(含油轴承),B(滚珠轴承),Y(液压轴承),SU(含油轴承带UL),BU(滚珠轴承带UL),YU(液压轴承带UL)

Y是一个不确定的值,它代表不同特殊风机功能,由具体客户或者料号来确定

UNIT: mm  
(INCH)

Model	P/N Code	Rated Voltage	Operating Voltage Range	Rated Current	Rated Input Power	Speed	Maximum Air Flow		Maximum Air Pressure		Noise
型号	P/N 附加码	额定电压	工作电压范围	额定电流	额定输入功率	转速	最大风量		最大风压		噪音
PART.NO.	BY	VAC	VAC	Amp	Watt	R.P.M	M³/min	CFM	mmH2O	InH2O	dB-A
AA25489H01B		220/50hz	120~240	0.38	86.3	2700	19.759	697.	18.58	0.731	64.9
AA25489H02B		220/60hz	120~240	0.46	105	3200	21.487	758.	15.88	0.625	67.5



TKFAN®

UL US CE RoHS

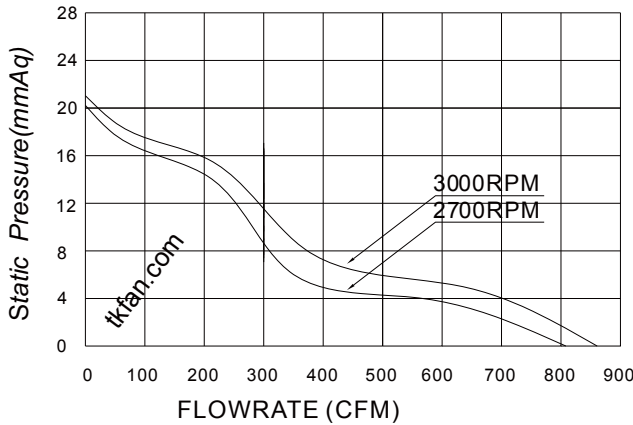
# AC Brushless FAN Ø254x89mm-C Type

版次Version 2017-4-12

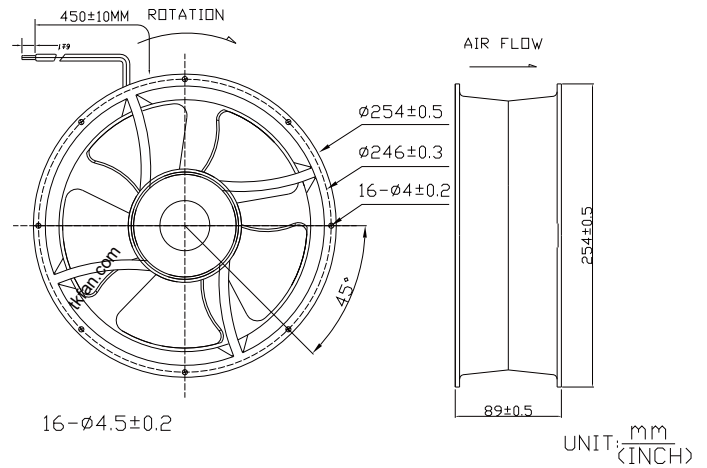
轴承结构：双滚珠  
 Bearing: two ball  
 框外材质: 塑胶(等级:UL94V-0)  
 Frame:Plastic(Flammability:UL94V-0)  
 扇叶材质:铁:(等级:UL94V-0)  
 Impeller: Metal impeller:(Flammability:UL94V-0)  
 风扇单重:2600g(Weight:2600g)



## P@Q CURVE(AT RATEDVOLTAGE)



## DIMENSIONS DRAWING(unit:mm)



## 编码规则 Code Rule

例子 Example DCH12038H12B-A1701  
 DCH12038H12X-AY

Model No. is DCH12038H12X; Extro P/N code is AY

X means bearing type, can be S(sleeve bearing), can be B(ball bearing), can be Y(HY bearing), can be SU(sleeve with UL), can be BU(ball with UL), can be YU(HY with UL)

Y means special function code, it will be used for a certain parts no. or client.

产品型号 DCH12038H12X;附加代码 AY. X是一个不确定值,它代表了不同的轴承类型,

S(含油轴承),B(滚珠轴承),Y(液压轴承),SU(含油轴承带UL),BU(滚珠轴承带UL),YU(液压轴承带UL)

Y是一个不确定的值,它代表不同特殊风机功能,由具体客户或者料号来确定

Model	P/N Code	Rated Voltage	Operating Voltage Range	Rated Current	Rated Input Power	Speed	Maximum Air Flow		Maximum Air Pressure		Noise
型号	P/N 附加码	额定电压	工作电压范围	额定电流	额定输入功率	转速	最大风量		最大风压		噪音
PART.NO.	CY	VAC	VAC	Amp	Watt	R.P.M	M³/min	CFM	mmH2O	InH2O	dB-A
AA25489L01X		110	50Hz	0.5	60	2700	23.229	820	20.193	0.795	78
AA25489H01X		110	60Hz	0.58	75	3000	24.363	860	21.082	0.830	84
AA25489L02X		220	50Hz	0.34	74	2700	23.229	820	20.193	0.795	78
AA25489H02X		220	60Hz	0.43	84	3000	24.363	860	21.082	0.830	84



TKFAN®

C US CE RoHS

# AC Brushless Blower 97x97x33mm-A Type

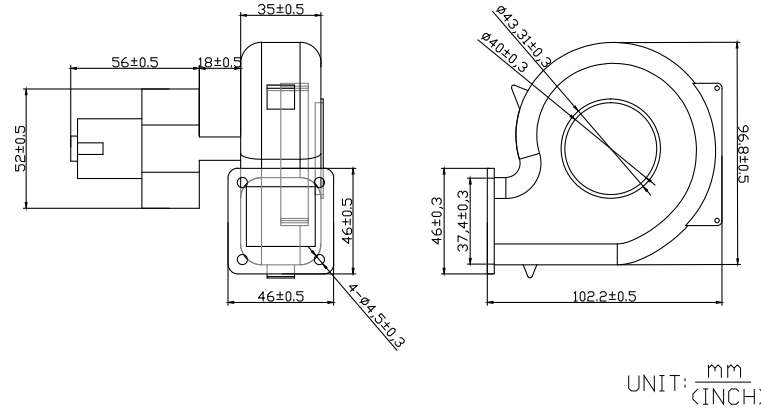
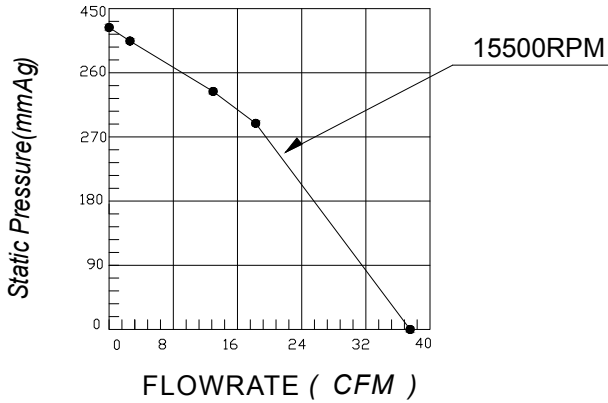
版次 Version 2023-5-6



- 轴承结构：滚珠
- Bearing: Ball
- 框外材质: 铝(等级:UL94V-0)
- Frame:Aluminum(Flammability:UL94V-0)
- 扇叶材质:铝(等级:UL94V-0)
- Impeller:Aluminum(Flammability:UL94V-0)
- 风扇单重:600g(Weight:600g)

## P@Q CURVE(AT RATEDVOLTAGE)

## DIMENSIONS DRAWING(unit:mm)



## 编码规则 Code Rule

例子 Example DCH12038H12B-DAH1701  
DCH12038H12X-AY

Model No. is DCH12038H12X; Extro P/N code is AY  
 X means bearing type, can be S(sleeve bearing), can be B(ball bearing), can be Y(HY bearing), can be SU(sleeve with UL), can be BU(ball with UL), can be YU(HY with UL)  
 Y means special function code, it will be used for a certain parts no. or client.  
 产品型号 DCH12038H12X;附加代码 AY. X是一个不确定值,它代表了不同的轴承类型,  
 S(含油轴承),B(滚珠轴承),Y(液压轴承),SU(含油轴承带UL),BU(滚珠轴承带UL),YU(液压轴承带UL)  
 Y是一个不确定的值,它代表不同特殊风机功能,由具体客户或者料号来确定

Model	P/N Code	Rated Voltage	Operating Voltage Range	Rated Current	Rated Input Power	Speed	Maximum Air Flow		Maximum Air Pressure		Noise
型号	P/N 附加码	额定电压	工作电压范围	额定电流	额定输入功率	转速	最大风量		最大风压		噪音
PART.NO.	AY	VAC	VAC	Amp	Watt	R.P.M	M³/min	CFM	mmH2O	InH2O	dB-A
ABA9733L 01X		110	100-125	1.62	178.6	15500	1.06	37.3	423.5	0.17	84.1
ABA9733L 02X		220	220-240	0.81	178.6	15500	1.06	37.3	423.5	0.017	84.1



TKFAN®

UL US CE RoHS

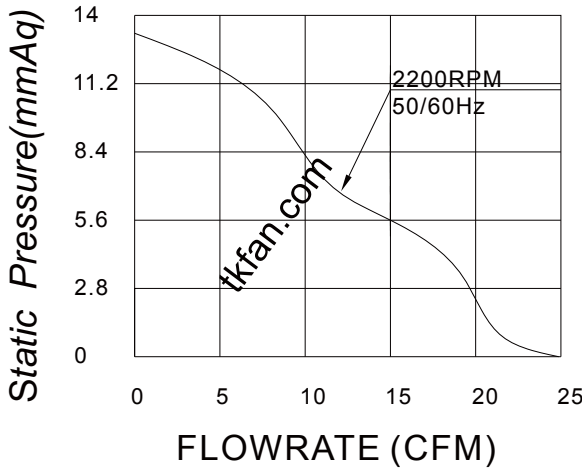
# AC Brushless Blower 120x120x32mm-A Type

版次Version 2017-4-12

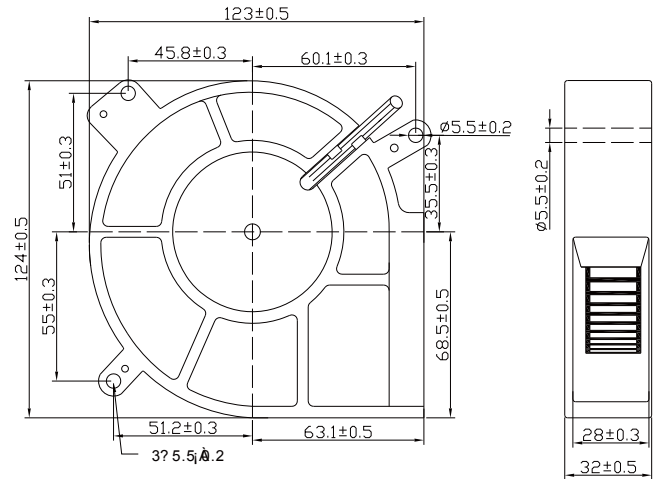


轴承结构：双滚珠、含油  
 Bearing: two ball、sleeve、  
 框外材质: 铝(等级:UL94V-0)  
 Frame:Aluminum(Flammability:UL94V-0)  
 扇叶材质:塑胶:(等级:UL94V-0)  
 Impeller:Plastic:(Flammability:UL94V-0)  
 风扇单重:675g(Weight:675g)

## P@Q CURVE(AT RATEDVOLTAGE)



## DIMENSIONS DRAWING(unit:mm)



## 编码规则 Code Rule

例子 Example DCH12038H12B-A1701  
 DCH12038H12X-AY

Model No. is DCH12038H12X; Extro P/N code is AY

X means bearing type, can be S(sleeve bearing), can be B(ball bearing), can be Y(HY bearing), can be SU(sleeve with UL), can be BU(ball with UL), can be YU(HY with UL)

Y means special function code, it will be used for a certain parts no. or client.

产品型号 DCH12038H12X;附加代码 AY. X是一个不确定值,它代表了不同的轴承类型,

S(含油轴承),B(滚珠轴承),Y(液压轴承),SU(含油轴承带UL),BU(滚珠轴承带UL),YU(液压轴承带UL)

Y是一个不确定的值,它代表不同特殊风机功能,由具体客户或者料号来确定

Model	P/N Code	Rated Voltage	Operating Voltage Range	Rated Current	Rated Input Power	Speed	Maximum Air Flow		Maximum Air Pressure		Noise
型号	P/N 附加码	额定电压	工作电压范围	额定电	额定输入功	转速	最大风量		最大风压		噪音
PART.NO.	AY	VAC	VAC	Amp	Watt	R.P.M	M³/min	CFM	mmH2O	InH2O	dB-A
ABA12032L01X		110	50Hz/60Hz	0.26/0.2	21	2200	0.8	24.8	13.2	0.52	45
ABA12032L02X		220	50Hz/60Hz	0.12/0.1	21	2200	0.8	24.8	13.2	0.52	45



TKFAN®

UL US CE RoHS

# DC Brushless Blower 18x18x4mm-AType

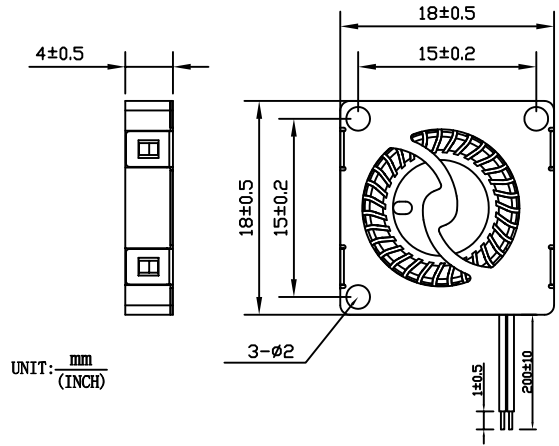
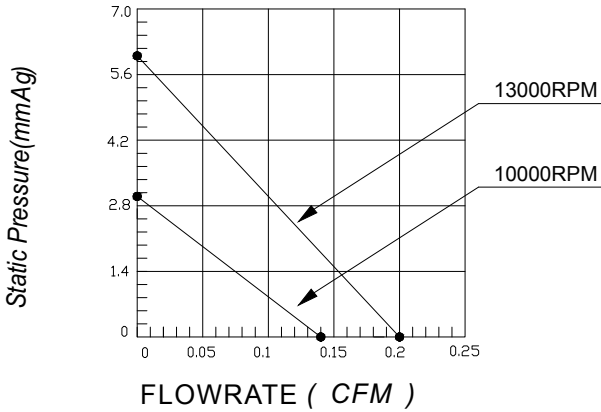
版次 Version 2023-3-21



- 轴承结构：液压
- Bearing: sleeve、HY
- 框外材质: 塑胶(等级:UL94V-0)
- Frame:Aluminum(Flammability:UL94V-0)
- 扇叶材质:塑胶:(等级:UL94V-0)
- Impeller:Plastic:(Flammability:UL94V-0)
- 风扇单重:1.6g(Weight:1.6g)

## P@Q CURVE(AT RATEDVOLTAGE)

## DIMENSIONS DRAWING(unit:mm)



## 编码规则 Code Rule

例子 Example DCH12038H12B-DAH1701  
DCH12038H12X-AY

Model No. is DCH12038H12X; Extro P/N code is AY  
 X means bearing type, can be S(sleeve bearing), can be B(ball bearing), can be Y(HY bearing), can be SU(sleeve with UL), can be BU(ball with UL), can be YU(HY with UL)  
 Y means special function code, it will be used for a certain parts no. or client.  
 产品型号 DCH12038H12X;附加代码 AY. X是一个不确定值,它代表了不同的轴承类型,  
 S(含油轴承),B(滚珠轴承),Y(液压轴承),SU(含油轴承带UL),BU(滚珠轴承带UL),YU(液压轴承带UL)  
 Y是一个不确定的值,它代表不同特殊风机功能,由具体客户或者料号来确定

Model	P/N Code	Rated Voltage	Operating Voltage Range	Rated Current	Rated Input Power	Speed	Maximum Air Flow		Maximum Air Pressure		Noise
型号	P/N 附加码	额定电压	工作电压范围	额定电流	额定输入功率	转速	最大风量		最大风压		噪音
PART.NO.	AY	VDC	VDC	Amp	Watt	R.P.M	M³/min	CFM	mmH2O	InH2O	dB-A
BA1804L3.3X		3.3	2~6	0.03	0.1	10000	0.004	0.14	3	0.12	19
BA1804L05X		5	2~6	0.04	0.2	13000	0.006	0.2	6	0.24	21.7



TKFAN®

UL US CE RoHS

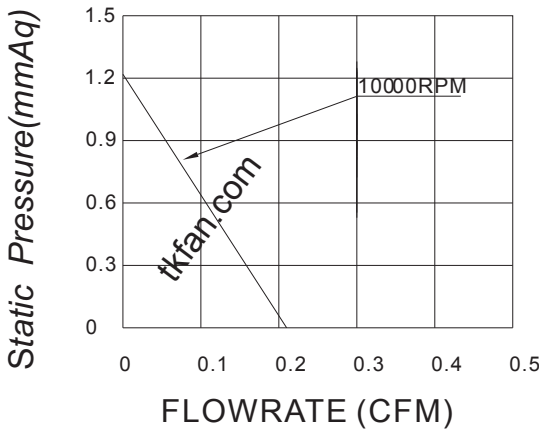
# DC Brushless Blower 20x20x6mm-A Type

版次Version 2017-11-12

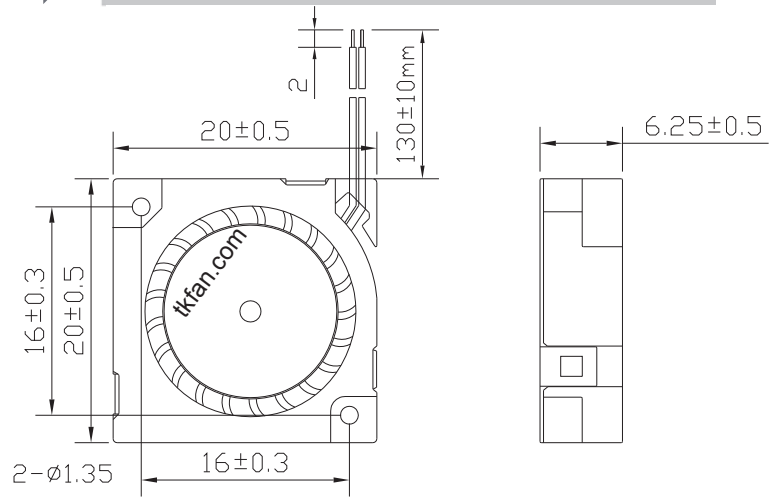
- 轴承结构：含油、液压
- Bearing: sleeve、HY
- 框外材质: 塑胶(等级:UL94V-0)
- Frame:Plastic(Flammability:UL94V-0)
- 扇叶材质:塑胶:(等级:UL94V-0)
- Impeller:Plastic:(Flammability:UL94V-0)
- 风扇单重:6g(Weight:6g)



## P@Q CURVE(AT RATEDVOLTAGE)



## DIMENSIONS DRAWING(unit:mm)



## 编码规则 Code Rule

例子 Example DCH12038H12B-DCH1701  
DCH12038H12X-AY

Model No. is DCH12038H12X; Extro P/N code is AY

X means bearing type, can be S(sleeve bearing), can be B(ball bearing), can be Y(HY bearing), can be SU(sleeve with UL), can be BU(ball with UL), can be YU(HY with UL)

Y means special function code, it will be used for a certain parts no. or client.

产品型号 DCH12038H12X;附加代码 AY. X是一个不确定值,它代表了不同的轴承类型,

S(含油轴承),B(滚珠轴承),Y(液压轴承),SU(含油轴承带UL),BU(滚珠轴承带UL),YU(液压轴承带UL)

Y是一个不确定的值,它代表不同特殊风机功能,由具体客户或者料号来确定

UNIT:  $\frac{\text{mm}}{\text{(INCH)}}$

Model	P/N Code	Rated Voltage	Operating Voltage Range	Rated Current	Rated Input Power	Speed	Maximum Air Flow		Maximum Air Pressure		Noise
型号	P/N 附加码	额定电压	工作电压范围	额定电流	额定输入功率	转速	最大风量		最大风压		噪音
PART.NO.	AY	VDC	VDC	Amp	Watt	R.P.M	M³/min	CFM	mmH2O	InH2O	dB-A
BA2006M05X		5	3~6	0.04	0.2	10000	0.006	0.21	1.21	0.048	<18
BA2006M12X		12	7.5~13.5	0.017	0.2	10000	0.006	0.21	1.21	0.048	<18



TKFAN®

C US RoHS

# DC Brushless Blower 20x26x8mm-A Type

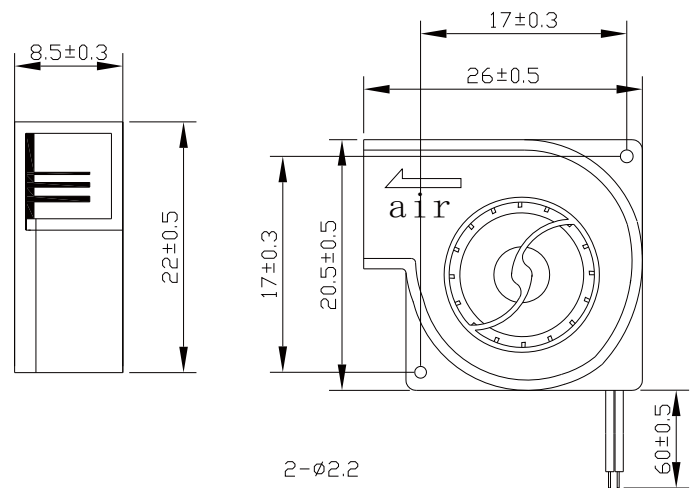
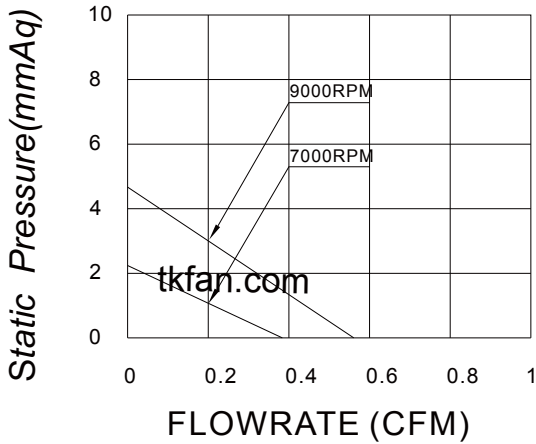
版次Version 2017-4-12

轴承结构：含油、液压  
 Bearing: sleeve、HY  
 框外材质: 塑胶(等级:UL94V-0)  
 Frame:Plastic(Flammability:UL94V-0)  
 扇叶材质:塑胶:(等级:UL94V-0)  
 Impeller:Plastic:(Flammability:UL94V-0)  
 风扇单重:6g(Weight:6g)



## P@Q CURVE(AT RATEDVOLTAGE)

## DIMENSIONS DRAWING(unit:mm)



## 编码规则 Code Rule

例子 Example DCH12038H12B-DCH1701  
 DCH12038H12X-AY

Model No. is DCH12038H12X; Extro P/N code is AY  
 X means bearing type, can be S(sleeve bearing), can be B(ball bearing), can be Y(HY bearing), can be SU(sleeve with UL), can be BU(ball with UL), can be YU(HY with UL)  
 Y means special function code, it will be used for a certain parts no. or client.  
 产品型号 DCH12038H12X;附加代码 AY. X是一个不确定值,它代表了不同的轴承类型,  
 S(含油轴承),B(滚珠轴承),Y(液压轴承),SU(含油轴承带UL),BU(滚珠轴承带UL),YU(液压轴承带UL)  
 Y是一个不确定的值,它代表不同特殊风机功能,由具体客户或者料号来确定

Model	P/N Code	Rated Voltage	Operating Voltage Range	Rated Current	Rated Input Power	Speed	Maximum Air Flow		Maximum Air Pressure		Noise
型号	P/N 附加码	额定电压	工作电压范围	额定电流	额定输入功率	转速	最大风量		最大风压		噪音
PART.NO.	AY	VDC	VDC	Amp	Watt	R.P.M	M <sup>3</sup> /min	CFM	mmH <sub>2</sub> O	InH <sub>2</sub> O	dB-A
BA2008L33X		3.3	2~6	0.03	0.1	7000	0.011	0.38	2.14	0.084	<25
BA2008L05X		5	2~6	0.075	0.38	9000	0.016	0.57	4.73	0.186	<35



TKFAN®

C RoHS

## DC Brushless Blower 30x30x4mm-A Type

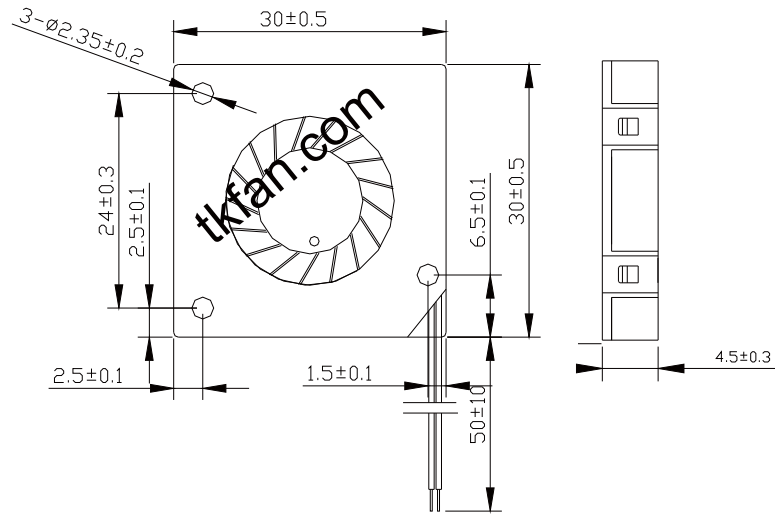
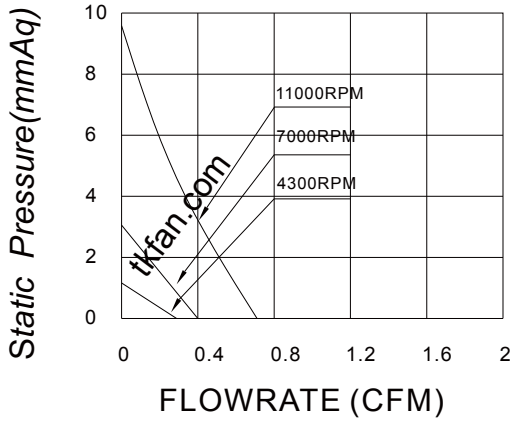
版次Version 2017-4-12

轴承结构：含油、液压  
 Bearing: sleeve、HY  
 框外材质: 塑胶(等级:UL94V-0)  
 Frame:Plastic(Flammability:UL94V-0)  
 扇叶材质:塑胶:(等级:UL94V-0)  
 Impeller:Plastic:(Flammability:UL94V-0)  
 风扇单重:6g(Weight:6g)



### P@Q CURVE(AT RATEDVOLTAGE)

### DIMENSIONS DRAWING(unit:mm)



### 编码规则 Code Rule

例子 Example DCH12038H12B-DCH1701  
 DCH12038H12X-AY

Model No. is DCH12038H12X; Extro P/N code is AY

X means bearing type, can be S(sleeve bearing), can be B(ball bearing), can be Y(HY bearing), can be SU(sleeve with UL), can be BU(ball with UL), can be YU(HY with UL)

Y means special function code, it will be used for a certain parts no. or client.

产品型号 DCH12038H12X;附加代码 AY. X是一个不确定值,它代表了不同的轴承类型,

S(含油轴承),B(滚珠轴承),Y(液压轴承),SU(含油轴承带UL),BU(滚珠轴承带UL),YU(液压轴承带UL)

Y是一个不确定的值,它代表不同特殊风机功能,由具体客户或者料号来确定

Model	P/N Code	Rated Voltage	Operating Voltage Range	Rated Current	Rated Input Power	Speed	Maximum Air Flow		Maximum Air Pressure		Noise
型号	P/N 附加码	额定电压	工作电压范围	额定电流	额定输入功率	转速	最大风量		最大风压		噪音
PART.NO.	AY	VDC	VDC	Amp	Watt	R.P.M	M³/min	CFM	mmH2O	InH2O	dB-A
BA3004L05X		5	1.9~6	0.07	0.35	11000	0.021	0.73	9.57	0.376	28.6
BA3004L03X		3	1.9~6	0.05	0.165	7000	0.011	0.39	3.05	0.120	<18
BA3004L02X		2	1.9~6	0.03	0.06	4300	0.007	0.26	1.16	0.046	<18



TKFAN®

UL US CE RoHS

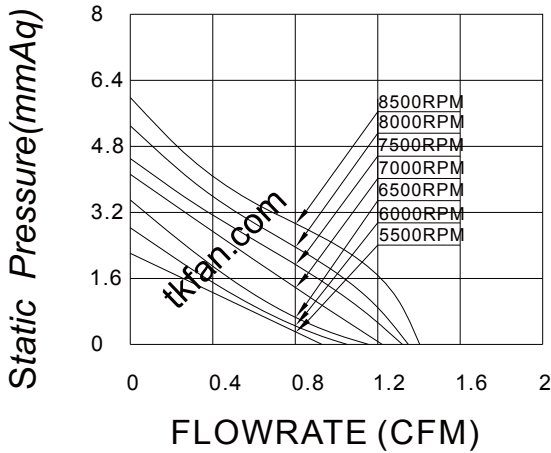
# DC Brushless Blower 30x30x10mm-A Type

版次Version 2017-4-12

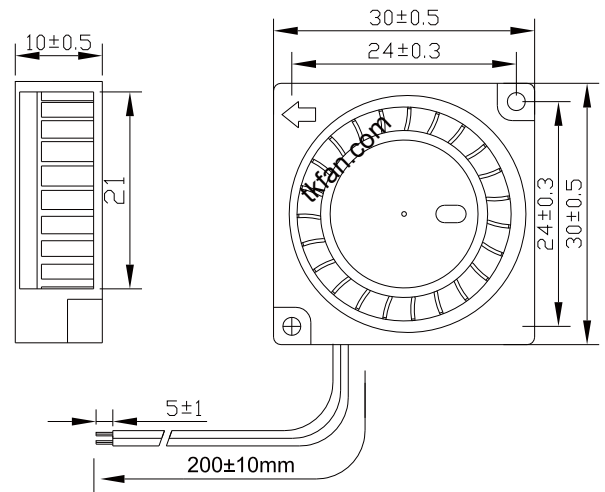


轴承结构：滚珠、含油、液压  
 Bearing: Ball、sleeve、HY  
 框外材质: 塑胶(等级:UL94V-0)  
 Frame:Plastic(Flammability:UL94V-0)  
 扇叶材质:塑胶:(等级:UL94V-0)  
 Impeller:Plastic:(Flammability:UL94V-0)  
 风扇单重:8.5g(Weight:8.5g)

## P@Q CURVE(AT RATEDVOLTAGE)



## DIMENSIONS DRAWING(unit:mm)



## 编码规则 Code Rule

例子 Example DCH12038H12B-DCH1701  
DCH12038H12X-AY

Model No. is DCH12038H12X; Extro P/N code is AY

X means bearing type, can be S(sleeve bearing), can be B(ball bearing), can be Y(HY bearing), can be SU(sleeve with UL), can be BU(ball with UL), can be YU(HY with UL)

Y means special function code, it will be used for a certain parts no. or client.

产品型号 DCH12038H12X;附加代码 AY. X是一个不确定值,它代表了不同的轴承类型,

S(含油轴承),B(滚珠轴承),Y(液压轴承),SU(含油轴承带UL),BU(滚珠轴承带UL),YU(液压轴承带UL)

Y是一个不确定的值,它代表不同特殊风机功能,由具体客户或者料号来确定

Model	P/N Code	Rated Voltage	Operating Voltage Range	Rated Current	Rated Input Power	Speed	Maximum Air Flow		Maximum Air Pressure		Noise
型号	P/N 附加码	额定电压	工作电压范围	额定电流	额定输入功率	转速	最大风量		最大风压		噪音
PART.NO.	AY	VDC	VDC	Amp	Watt	R.P.M	M³/min	CFM	mmH2O	InH2O	dB-A
BA3010LL05X		5	1.8~3.6~6.8	0.1	0.5	5500	0.025	0.90	2.27	0.089	23.4
BA3010L05X		5	1.8~3.6~6.8	0.12	0.6	6000	0.030	1.07	2.86	0.113	25.0
BA3010LV05X		5	1.8~3.6~6.8	0.13	0.65	6500	0.033	1.16	3.35	0.132	26.5
BA3010M05X		5	1.8~3.6~6.8	0.14	0.7	7000	0.035	1.23	3.91	0.154	28.7
BA3010MV05X		5	1.8~3.6~6.8	0.16	0.8	7500	0.037	1.31	4.49	0.177	30.0
BA3010VM05X		5	1.8~3.6~6.8	0.18	0.9	8000	0.038	1.36	5.31	0.209	31.7
BA3010H05X		5	1.8~3.6~6.8	0.2	1.0	8500	0.039	1.39	5.86	0.231	33.2
BA3010LL12X		12	7~13.5	0.042	0.5	5500	0.025	0.90	2.27	0.089	23.4
BA3010L12X		12	7~13.5	0.05	0.6	6000	0.030	1.07	2.86	0.113	25.0
BA3010LV12X		12	7~13.5	0.054	0.65	6500	0.033	1.16	3.35	0.132	26.5
BA3010M12X		12	7~13.5	0.058	0.7	7000	0.035	1.23	3.91	0.154	28.7
BA3010MV12X		12	7~13.5	0.067	0.8	7500	0.037	1.31	4.49	0.177	30.0
BA3010VM12X		12	7~13.5	0.075	0.9	8000	0.038	1.36	5.31	0.209	31.7
BA3010H12X		12	7~13.5	0.083	1.0	8500	0.039	1.39	5.86	0.231	33.2



TKFAN®

UL US CE RoHS

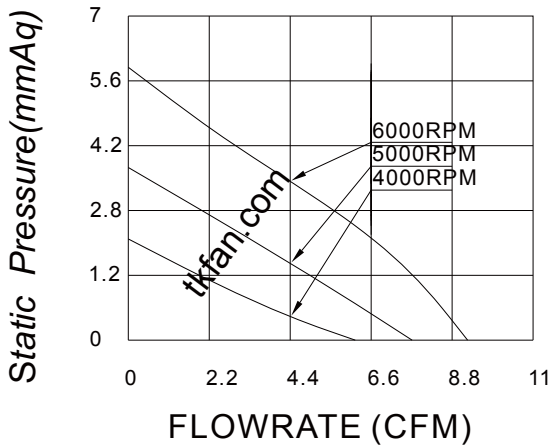
# DC Brushless Blower 30x30x15mm-A Type

版次Version 2017-4-12

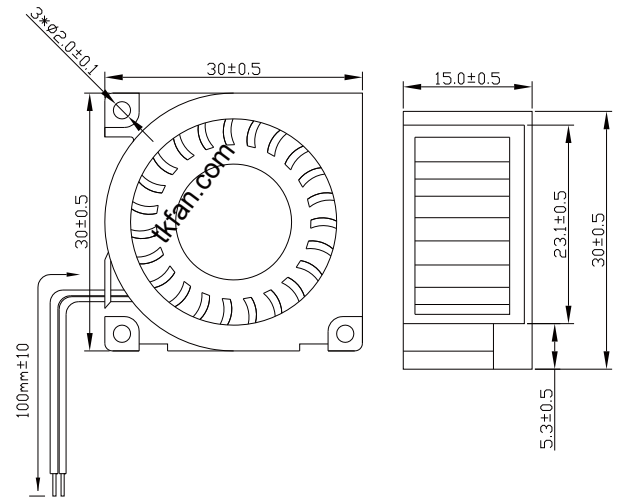
轴承结构：滚珠、含油、液压  
 Bearing: Ball、sleeve、HY  
 框外材质: 塑胶(等级:UL94V-0)  
 Frame:Plastic(Flammability:UL94V-0)  
 扇叶材质:塑胶:(等级:UL94V-0)  
 Impeller:Plastic:(Flammability:UL94V-0)  
 风扇单重:10g(Weight:10g)



## P@Q CURVE(AT RATEDVOLTAGE)



## DIMENSIONS DRAWING(unit:mm)



## 编码规则 Code Rule

例子 Example DCH12038H12B-DCH1701  
 DCH12038H12X-AY

Model No. is DCH12038H12X; Extro P/N code is AY

X means bearing type, can be S(sleeve bearing), can be B(ball bearing), can be Y(HY bearing), can be SU(sleeve with UL), can be BU(ball with UL), can be YU(HY with UL)

Y means special function code, it will be used for a certain parts no. or client.

产品型号 DCH12038H12X;附加代码 AY. X是一个不确定值,它代表了不同的轴承类型,

S(含油轴承),B(滚珠轴承),Y(液压轴承),SU(含油轴承带UL),BU(滚珠轴承带UL),YU(液压轴承带UL)

Y是一个不确定的值,它代表不同特殊风机功能,由具体客户或者料号来确定

Model	P/N Code	Rated Voltage	Operating Voltage Range	Rated Current	Rated Input Power	Speed	Maximum Air Flow		Maximum Air Pressure		Noise
型号	P/N 附加码	额定电压	工作电压范围	额定电流	额定输入功率	转速	最大风量		最大风压		噪音
PART.NO.	AY	VDC	VDC	Amp	Watt	R.P.M	M³/min	CFM	mmH2O	InH2O	dB-A
BA3015L05X		5	1.8~3.6~6.8	0.1	0.5	4000	0.030	1.07	2.18	0.086	17.9
BA3015M05X		5	1.8~3.6~6.8	0.12	0.6	5000	0.040	1.40	3.66	0.144	21.1
BA3015H05X		5	1.8~3.6~6.8	0.13	0.65	6000	0.048	1.70	6.04	0.238	25.3
BA3015L12X		12	7~13.5	0.042	0.5	4000	0.030	1.07	2.18	0.086	17.9
BA3015M12X		12	7~13.5	0.05	0.6	5000	0.040	1.40	3.66	0.144	21.1
BA3015H12X		12	7~13.5	0.054	0.65	6000	0.048	1.70	6.04	0.238	25.3



TKFAN®

C<sub>RU</sub> US CE RoHS

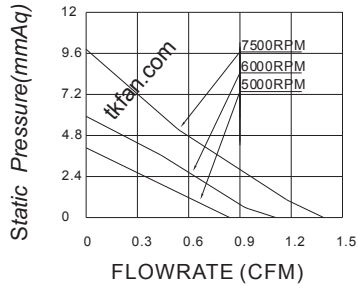
# DC Brushless Blower 35x35x7mm-A Type

版次Version 2018-6-1

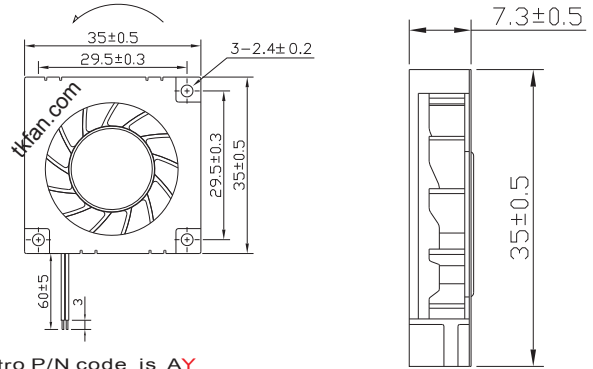


轴承结构：滚珠、含油、液压  
 Bearing: Ball、sleeve、HY  
 框外材质: 铝加塑胶(等级:UL94V-0)  
 Frame:Plastic:(Flammability:UL94V-0)  
 Cover is stainless steel  
 扇叶材质:塑胶:(等级:UL94V-0)  
 Impeller:Plastic:(Flammability:UL94V-0)  
 风扇单重:8.5g(Weight:8.5g)

## P@Q CURVE(AT RATEDVOLTAGE)



## DIMENSIONS DRAWING(unit:mm)



## 编码规则 Code Rule

例子 Example DCH12038H12B-DCH1701  
 DCH12038H12X-AY

Model No. is DCH12038H12X; Extro P/N code is AY

X means bearing type, can be S(sleeve bearing), can be B(ball bearing), can be Y(HY bearing), can be SU(sleeve with UL), can be BU(ball with UL), can be YU(HY with UL)

Y means special function code, it will be used for a certain parts no. or client.

产品型号 DCH12038H12X;附加代码 AY. X是一个不确定值,它代表了不同的轴承类型,

S(含油轴承),B(滚珠轴承),Y(液压轴承),SU(含油轴承带UL),BU(滚珠轴承带UL),YU(液压轴承带UL)

Y是一个不确定的值,它代表不同特殊风机功能,由具体客户或者料号来确定

Model	P/N Code	Rated Voltage	Operating Voltage Range	Rated Current	Rated Input Power	Speed	Maximum Air Flow		Maximum Air Pressure		Noise
型号	P/N 附加码	额定电压	工作电压范围	额定电流	额定输入功率	转速	最大风量		最大风压		噪音
PART.NO.	AY	VDC	VDC	Amp	Watt	R.P.M	M³/min	CFM	mmH2O	InH2O	dB-A
BA3507LL05X		5	3~6	0.08	0.4	5000	0.024	0.84	4.08	0.161	23.9
BA3507L05X		5	3~6	0.12	0.6	6000	0.031	1.11	5.92	0.233	27.2
BA3507M05X		5	3~6	0.18	0.9	7500	0.039	1.39	9.84	0.387	32.3
BA3507LL12X		12	7.5~13.5	0.033	0.4	5000	0.024	0.84	4.08	0.161	23.9
BA3507L12X		12	7.5~13.5	0.05	0.6	6000	0.031	1.11	5.92	0.233	27.2
BA3507M12X		12	7.5~13.5	0.075	0.9	7500	0.039	1.39	9.84	0.387	32.3



TKFAN®

UL US CE RoHS

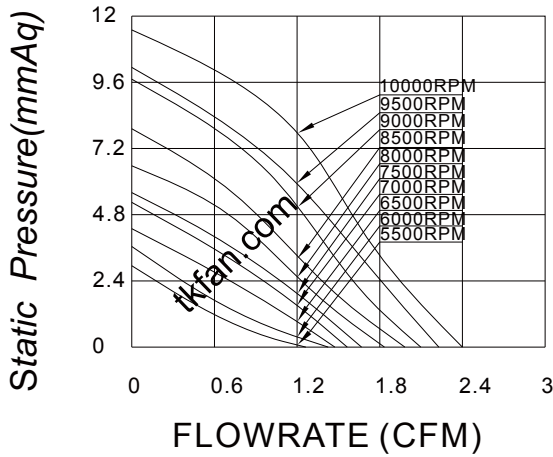
# DC Brushless Blower 35x35x10mm-A Type

版次Version 2017-4-12

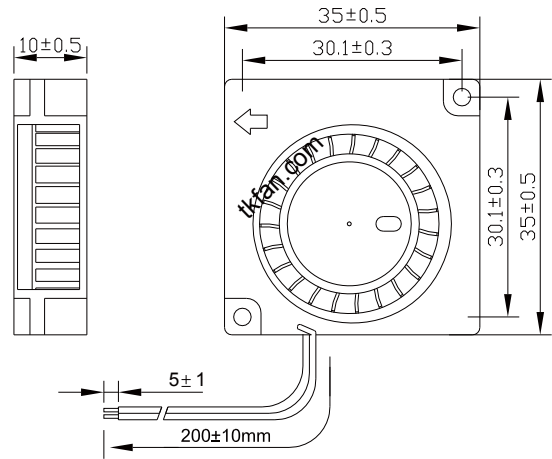
轴承结构：滚珠、含油、液压  
 Bearing: Ball、sleeve、HY  
 框外材质: 塑胶(等级:UL94V-0)  
 Frame:Plastic(Flammability:UL94V-0)  
 扇叶材质:塑胶:(等级:UL94V-0)  
 Impeller:Plastic:(Flammability:UL94V-0)  
 风扇单重:8.5g(Weight:8.5g)



## P@Q CURVE(AT RATEDVOLTAGE)



## DIMENSIONS DRAWING(unit:mm)



## 编码规则 Code Rule

例子 Example DCH12038H12B-DCH1701  
 DCH12038H12X-AY

Model No. is DCH12038H12X; Extro P/N code is AY

X means bearing type, can be S(sleeve bearing), can be B(ball bearing), can be Y(HY bearing), can be SU(sleeve with UL), can be BU(ball with UL), can be YU(HY with UL)

Y means special function code, it will be used for a certain parts no. or client.

产品型号 DCH12038H12X;附加代码 AY. X是一个不确定值,它代表了不同的轴承类型,

S(含油轴承),B(滚珠轴承),Y(液压轴承),SU(含油轴承带UL),BU(滚珠轴承带UL),YU(液压轴承带UL)

Y是一个不确定的值,它代表不同特殊风机功能,由具体客户或者料号来确定

Model	P/N Code	Rated Voltage	Operating Voltage Range	Rated Current	Rated Input Power	Speed	Maximum Air Flow		Maximum Air Pressure		Noise
							M³/min	CFM	mmH2O	InH2O	
型号	P/N 附加码	额定电压	工作电压范围	额定电流	额定输入功率	转速	最大风量		最大风压		噪音
PART.NO.	AY	VDC	VDC	Amp	Watt	R.P.M	M³/min	CFM	mmH2O	InH2O	dB-A
BA3510LL05X		5	1.8~3.6~6.8	0.1	0.5	5500	0.035	1.25	2.67	0.105	25.4
BA3510L05X		5	1.8~3.6~6.8	0.12	0.6	6000	0.040	1.42	3.62	0.143	27.5
BA3510LV05X		5	1.8~3.6~6.8	0.13	0.65	6500	0.041	1.45	4.25	0.167	29.6
Ba3510M05X		5	1.8~3.6~6.8	0.14	0.7	7000	0.045	1.60	5.20	0.205	31.6
BA3510MV05X		5	1.8~3.6~6.8	0.16	0.8	7500	0.047	1.67	5.87	0.231	33.5
BA3510VM05X		5	1.8~3.6~6.8	0.18	0.9	8000	0.053	1.86	6.92	0.272	34.9
BA3510H05X		5	1.8~3.6~6.8	0.2	1.0	8500	0.056	1.98	8.05	0.317	36.1
BA3510HH05X		5	1.8~3.6~6.8	0.22	1.1	9000	0.061	2.14	9.10	0.358	37.4
BA3510HV05X		5	1.8~3.6~6.8	0.25	1.25	9500	0.064	2.27	10.18	0.401	39.1
BA3510VH05X		5	1.8~3.6~6.8	0.28	1.4	10000	0.067	2.38	11.58	0.456	40.0
BA3510LL12X		12	7~13.5	0.042	0.5	5500	0.035	1.25	2.67	0.105	25.4
BA3510L12X		12	7~13.5	0.05	0.6	6000	0.040	1.42	3.62	0.143	27.5

BA3510LV12X	AY	12	7~13.5	0.054	0.65	6500	0.041	1.45	4.25	0.167	29.6
BA3510M12X		12	7~13.5	0.058	0.7	7000	0.045	1.60	5.20	0.205	31.6
BA3510MV12X		12	7~13.5	0.067	0.8	7500	0.047	1.67	5.87	0.231	33.5
BA3510VM12X		12	7~13.5	0.075	0.9	8000	0.053	1.86	6.92	0.272	34.9
BA3510H12X		12	7~13.5	0.083	1.0	8500	0.056	1.98	8.05	0.317	36.1
BA3510HH12X		12	7~13.5	0.092	1.1	9000	0.061	2.14	9.10	0.358	37.4
BA3510HV12X		12	7~13.5	0.104	1.25	9500	0.064	2.27	10.18	0.401	39.1
BA3510VH12X		12	7~13.5	0.117	1.4	10000	0.067	2.38	11.58	0.456	40.0



TKFAN®

UL US CE RoHS

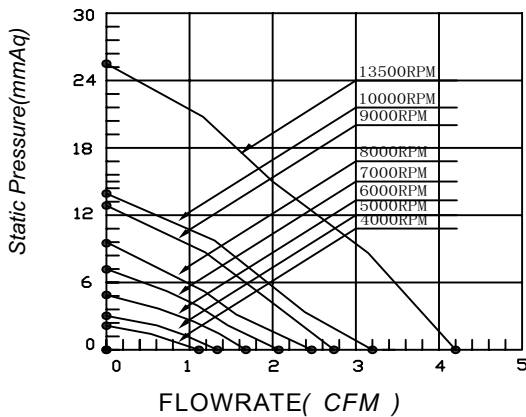
# DC Brushless Blower 40x40x10mm-A Type

版次 Version 2022-6-14

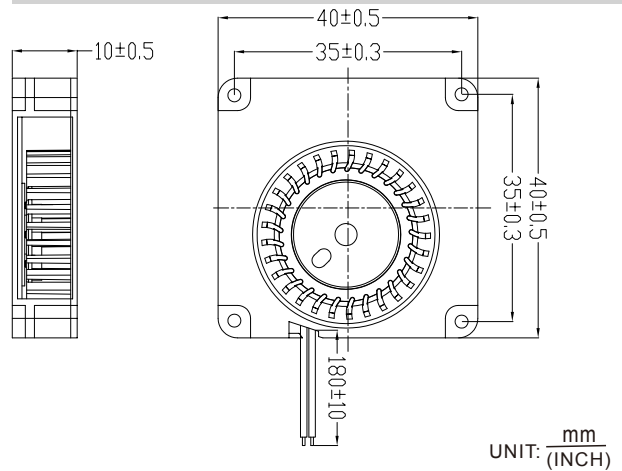
轴承结构：滚珠、含油、液压  
 Bearing: Ball、sleeve、HY  
 框外材质: 塑料(等级:UL94V-0)  
 Frame:Plastic(Flammability:UL94V-0)  
 扇叶材质:塑胶:(等级:UL94V-0)  
 Impeller:Plastic:(Flammability:UL94V-0)  
 风扇单重:10g(Weight:10g)



## P@Q CURVE(AT RATEDVOLTAGE)



## DIMENSIONS DRAWING(unit:mm)



## 编码规则 Code Rule

例子 Example DCH12038H12B-DAH1701  
 DCH12038H12X-AY

Model No. is DCH12038H12X; Extro P/N code is AY  
 X means bearing type, can be S(sleeve bearing), can be B(ball bearing), can be Y(HY bearing), can be SU(sleeve with UL), can be BU(ball with UL), can be YU(HY with UL)  
 Y means special function code, it will be used for a certain parts no. or client.  
 产品型号 DCH12038H12X;附加代码 AY. X是一个不确定值,它代表了不同的轴承类型, S(含油轴承),B(滚珠轴承),Y(液压轴承),SU(含油轴承带UL),BU(滚珠轴承带UL),YU(液压轴承带UL)  
 Y是一个不确定的值,它代表不同特殊风机功能,由具体客户或者料号来确定

Model	P/N Code	Rated Voltage	Operating Voltage Range	Rated Current	Rated Input Power	Speed	Maximum Air Flow		Maximum Air Pressure		Noise
型号	P/N 附加码	额定电压	工作电压范围	额定电流	额定输入功率	转速	最大风量		最大风压		噪音
PART.NO.	AY	VDC	VDC	Amp	Watt	R.P.M	M³/min	CFM	mmH2O	InH2O	dBA
BA4010LL05X		5	1.8~3.6~6.8	0.06	0.3	4000	0.031	1.09	2.15	0.085	18.9
BA4010L05X		5	1.8~3.6~6.8	0.11	0.55	5000	0.038	1.34	3.03	0.119	23.3
BA4010M05X		5	1.8~3.6~6.8	0.15	0.75	6000	0.046	1.64	4.89	0.193	26.0
BA4010H05X		5	1.8~3.6~6.8	0.21	1.05	7000	0.057	2.03	7.17	0.282	29.3
BA4010HH05X		5	1.8~3.6~6.8	0.25	1.25	8000	0.069	2.42	9.50	0.374	32.1
BA4010VH05X		5	1.8~3.6~6.8	0.29	1.45	9000	0.078	2.76	12.86	0.506	35.0
BA4010HV05X		5	1.8~3.6~6.8	0.35	1.75	10000	0.090	3.2	13.93	0.548	37.0
BA4010HHV05X		5	1.8~3.6~6.8	0.44	2.2	13500	0.105	3.7	23.61	0.93	47.9
BA4010LL12X		12	7~13.5	0.025	0.3	4000	0.031	1.09	2.15	0.085	18.9
BA4010L12X		12	7~13.5	0.046	0.55	5000	0.038	1.34	3.03	0.119	23.3
BA4010M12X		12	7~13.5	0.062	0.75	6000	0.046	1.64	4.89	0.193	26.0
BA4010H12X		12	7~13.5	0.09	1.05	7000	0.057	2.03	7.17	0.282	29.3
BA4010HH12X		12	7~13.5	0.1	1.25	8000	0.069	2.42	9.50	0.374	32.1
BA4010VH12X		12	7~13.5	0.12	1.45	9000	0.078	2.76	12.86	0.506	35.0
BA4010HV12X		12	7~13.5	0.146	1.75	10000	0.090	3.2	13.93	0.548	37.0
BA4010HHV12X		12	7~13.5	0.183	2.2	13500	0.105	3.7	23.61	0.93	47.9



TKFAN®

UL US CE RoHS

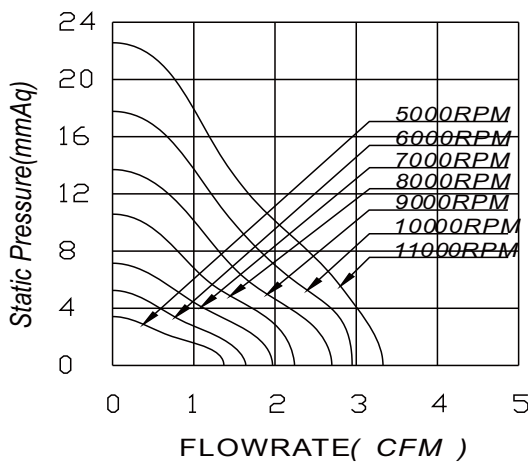
# DC Brushless Blower 40x40x15mm-A Type

版次Version 2019-9-28

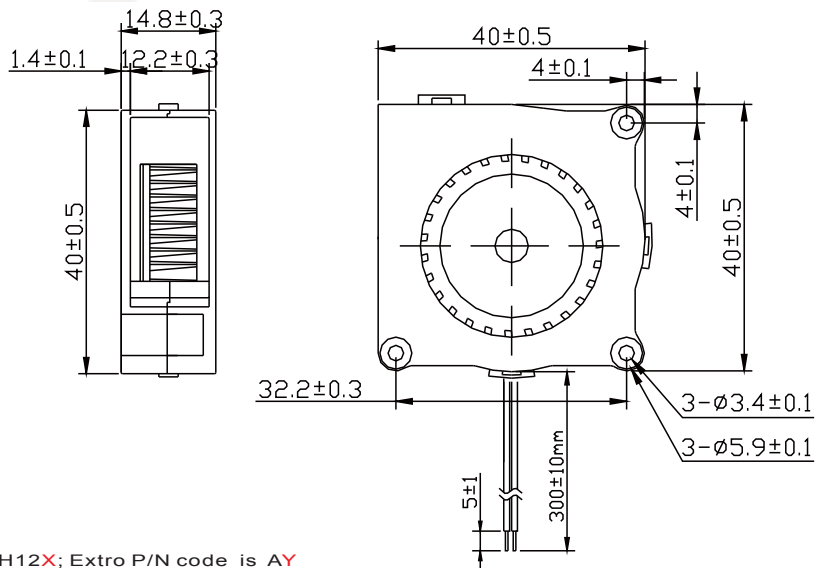
轴承结构：滚珠、含油、液压  
 Bearing: Ball、sleeve、HY  
 框外材质: 塑胶(等级:UL94V-0)  
 Frame:Plastic(Flammability:UL94V-0)  
 扇叶材质:塑胶:(等级:UL94V-0)  
 Impeller:Plastic:(Flammability:UL94V-0)  
 风扇单重:21g(Weight:21g)



## P@Q CURVE(AT RATEDVOLTAGE)



## DIMENSIONS DRAWING(unit:mm)



## 编码规则 Code Rule

例子 Example DCH12038H12B-DCH1701  
 DCH12038H12X-AY

Model No. is DCH12038H12X; Extro P/N code is AY

X means bearing type, can be S(sleeve bearing), can be B(ball bearing), can be Y(HY bearing), can be SU(sleeve with UL), can be BU(ball with UL), can be YU(HY with UL)

Y means special function code, it will be used for a certain parts no. or client.

产品型号 DCH12038H12X; 附加代码 AY. X是一个不确定值, 它代表了不同的轴承类型,

S(含油轴承), B(滚珠轴承), Y(液压轴承), SU(含油轴承带UL), BU(滚珠轴承带UL), YU(液压轴承带UL)

Y是一个不确定的值, 它代表不同特殊风机功能, 由具体客户或者料号来确定

Model	P/N Code	Rated Voltage	Operating Voltage Range	Rated Current	Rated Input Power	Speed	Maximum Air Flow		Maximum Air Pressure		Noise
型号	P/N 附加码	额定电压	工作电压范围	额定电流	额定输入功率	转速	最大风量		最大风压		噪音
PART.NO.		VDC	VDC	Amp	Watt	R.P.M	M³/min	CFM	mmH2O	InH2O	dB-A
BA4015LL05X	AY	5	1.8~3.6~6.8	0.072	0.36	5000	0.039	1.37	3.42	0.135	29
BA4015L05X		5	1.8~3.6~6.8	0.096	0.48	6000	0.046	1.64	5.25	0.207	33.5
BA4015M05X		5	1.8~3.6~6.8	0.12	0.6	7000	0.056	1.97	7.15	0.281	37.6
BA4015H05X		5	1.8~3.6~6.8	0.168	0.84	8000	0.068	2.39	10.58	0.417	41.2
BA4015HH05X		5	1.8~3.6~6.8	0.216	1.08	9000	0.076	2.7	13.7	0.539	44.7
BA4015VH05X		5	1.8~3.6~6.8	0.312	1.56	10000	0.083	2.95	17.7	0.697	47
BA4015HV05X		5	1.8~3.6~6.8	0.35	1.8	11000	0.094	3.33	22.57	0.888	49.4
BA4015LL12X		12	7~13.5	0.03	0.36	5000	0.039	1.37	3.42	0.135	29
BA4015L12X		12	7~13.5	0.04	0.48	6000	0.046	1.64	5.25	0.207	33.5
BA4015M12X		12	7~13.5	0.05	0.6	7000	0.056	1.97	7.15	0.281	37.6
BA4015H12X		12	7~13.5	0.07	0.84	8000	0.068	2.39	10.58	0.417	41.2
BA4015HH12X		12	7~13.5	0.09	1.08	9000	0.076	2.7	13.7	0.539	44.7
BA4015VH12X		12	7~13.5	0.13	1.56	10000	0.083	2.95	17.7	0.697	47
BA4015HV12X		12	7~13.5	0.15	1.8	11000	0.094	3.33	22.57	0.888	49.4



TKFAN®

UL US CE RoHS

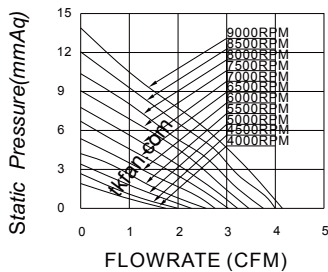
# DC Brushless Blower 40x40x20mm-A Type

版次Version 2017-4-12

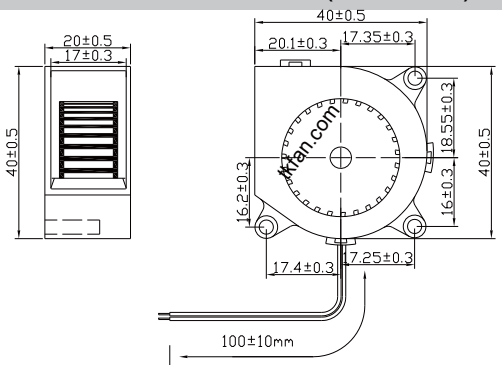
轴承结构：滚珠、含油、液压  
 Bearing: Ball、sleeve、HY  
 框外材质: 塑胶(等级:UL94V-0)  
 Frame:Plastic(Flammability:UL94V-0)  
 扇叶材质:塑胶:(等级:UL94V-0)  
 Impeller:Plastic:(Flammability:UL94V-0)  
 风扇单重:29g(Weight:29g)



## P@Q CURVE(AT RATEDVOLTAGE)



## DIMENSIONS DRAWING(unit:mm)



## 编码规则 Code Rule

例子 Example DCH12038H12B-DCH1701  
 DCH12038H12X-AY

Model No. is DCH12038H12X; Extro P/N code is AY

X means bearing type, can be S(sleeve bearing), can be B(ball bearing), can be Y(HY bearing), can be SU(sleeve with UL), can be BU(ball with UL), can be YU(HY with UL)

Y means special function code, it will be used for a certain parts no. or client.

产品型号 DCH12038H12X;附加代码AY. X是一个不确定值,它代表了不同的轴承类型,

S(含油轴承),B(滚珠轴承),Y(液压轴承),SU(含油轴承带UL),BU(滚珠轴承带UL),YU(液压轴承带UL)

Y是一个不确定的值,它代表不同特殊风机功能,由具体客户或者料号来确定

Model	P/N Code	Rated Voltage	Operating Voltage Range	Rated Current	Rated Input Power	Speed	Maximum Air Flow		Maximum Air Pressure		Noise
型号	P/N 附加码	额定电压	工作电压范围	额定电流	额定输入功率	转速	最大风量		最大风压		噪音
PART.NO.	AY	VDC	VDC	Amp	Watt	R.P.M	M³/min	CFM	mmH2O	InH2O	dB-A
BA4020LL05X		5	1.8~3~6	0.14	0.72	4500	0.057	2.00	2.64	0.104	27.4
BA4020L05X		5	1.8~3~6	0.16	0.8	5000	0.064	2.27	3.35	0.132	30.2
BA4020ML05X		5	1.8~3~6	0.24	1.2	5500	0.073	2.56	4.18	0.165	33.5
BA4020LM05X		5	1.8~3~6	0.29	1.44	6000	0.078	2.75	5.22	0.206	35.7
BA4020M05X		5	1.8~3~6	0.34	1.68	6500	0.087	3.06	6.55	0.258	37.4
BA4020H05X		5	1.8~3~6	0.38	1.92	7500	0.100	3.54	9.13	0.359	40.9
BA4020LL12X		12	7~13.5	0.06	0.72	4500	0.057	2.00	2.64	0.104	27.4
BA4020L12X		12	7~13.5	0.07	0.8	5000	0.064	2.27	3.35	0.132	30.2
BA4020ML12X		12	7~13.5	0.1	1.2	5500	0.073	2.56	4.18	0.165	33.5
BA4020LM12X		12	7~13.5	0.12	1.44	6000	0.078	2.75	5.22	0.206	35.7
BA4020M12X		12	7~13.5	0.14	1.68	6500	0.087	3.06	6.55	0.258	37.4
BA4020H12X		12	7~13.5	0.16	1.92	7500	0.100	3.54	9.13	0.359	40.9
BA4020HH12X		12	7~13.5	0.18	2.16	8500	0.113	4.00	12.16	0.479	44.5
BA4020LL24X		24	18~26.5	0.03	0.72	4500	0.057	2.00	2.64	0.104	27.4
BA4020ML24X		24	18~26.5	0.05	1.2	5500	0.073	2.56	4.18	0.165	33.5
BA4020LM24X		24	18~26.5	0.06	1.44	6000	0.078	2.75	5.22	0.206	35.7
BA4020M24X		24	18~26.5	0.07	1.68	6500	0.087	3.06	6.55	0.258	37.4
BA4020H24X		24	18~26.5	0.08	1.92	7500	0.100	3.54	9.13	0.359	40.9
BA4020HH24X		24	18~26.5	0.09	2.16	8500	0.113	4.00	12.16	0.479	44.5



TKFAN®

UL US CE RoHS

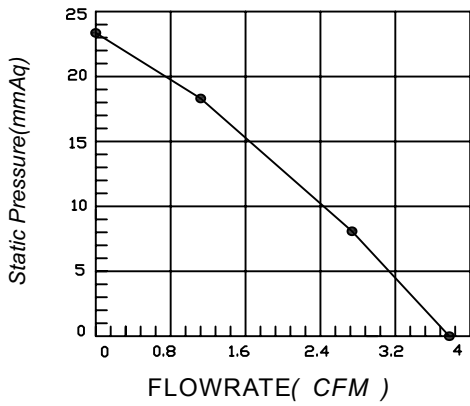
# DC Brushless Blower 45x45x10mm-A Type

版次 Version 2022-3-9

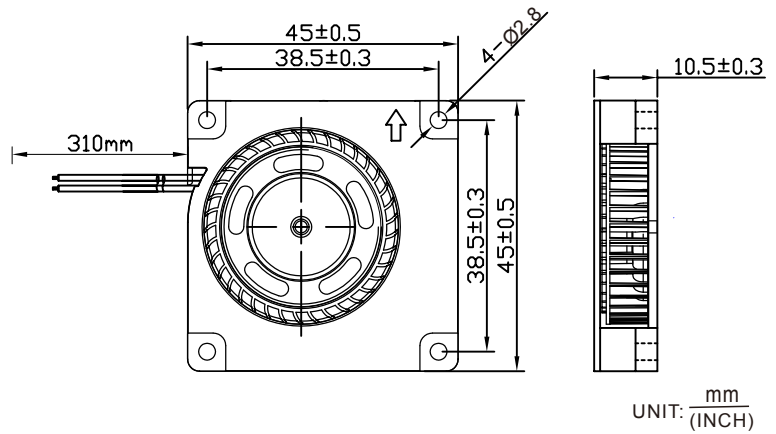
轴承结构：双滚珠、含油、液压、其他  
 Bearing: two ball、sleeve、HY、other  
 框外材质: 塑料(等级:UL94V-0)  
 Frame:Plastic(Flammability:UL94V-0)  
 扇叶材质:塑胶:(等级:UL94V-0)  
 Impeller:Plastic:(Flammability:UL94V-0)  
 风扇单重:16g(Weight:16g)



## P@Q CURVE(AT RATEDVOLTAGE)



## DIMENSIONS DRAWING(unit:mm)



## 编码规则 Code Rule

例子 Example DCH12038H12B-DAH1701  
 DCH12038H12X-AY

Model No. is DCH12038H12X; Extro P/N code is AY  
 X means bearing type, can be S(sleeve bearing), can be B(ball bearing), can be Y(HY bearing), can be SU(sleeve with UL), can be BU(ball with UL), can be YU(HY with UL)  
 Y means special function code, it will be used for a certain parts no. or client.  
 产品型号 DCH12038H12X;附加代码 AY. X是一个不确定值,它代表了不同的轴承类型,  
 S(含油轴承),B(滚珠轴承),Y(液压轴承),SU(含油轴承带UL),BU(滚珠轴承带UL),YU(液压轴承带UL)  
 Y是一个不确定的值,它代表不同特殊风机功能,由具体客户或者料号来确定

Model	P/N Code	Rated Voltage	Operating Voltage Range	Rated Current	Rated Input Power	Speed	Maximum Air Flow		Maximum Air Pressure		Noise
型号	P/N 附加码	额定电压	工作电压范围	额定电流	额定输入功率	转速	最大风量	最大风量	最大风压	最大风压	噪音
PART.NO.	AY	VDC	VDC	Amp	Watt	R.P.M	M³/min	CFM	mmH2O	InH2O	dB-A
BA4510H05B		5	3~6	0.50	2.5	8500	0.11	3.7	23.3	0.92	41.8
BA4510H12B		12	7~13.5	0.21	2.5	8500	0.11	3.7	23.3	0.92	41.8



TKFAN®

UL US CE RoHS

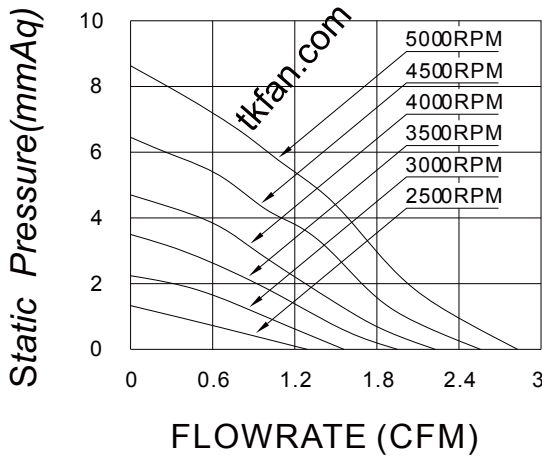
# DC Brushless Blower 50x50x10mm-A Type

版次Version 2019-3-22

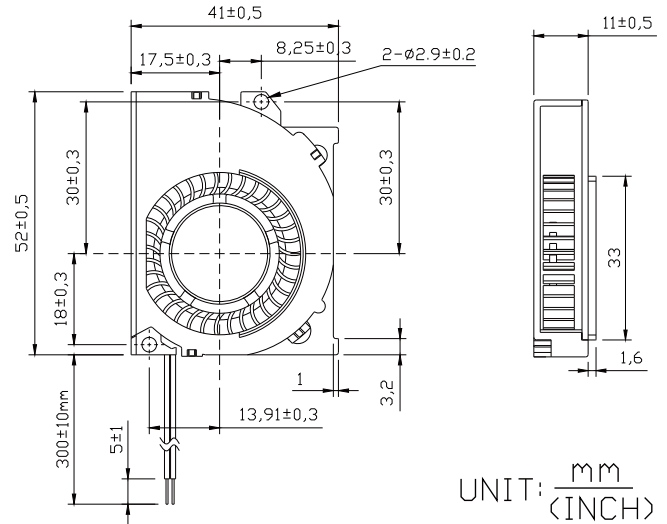
轴承结构：滚珠、含油、液压  
 Bearing: Ball、sleeve、HY  
 框外材质: 塑胶(等级:UL94V-0)  
 Frame:Plastic(Flammability:UL94V-0)  
 扇叶材质:塑胶:(等级:UL94V-0)  
 Impeller:Plastic:(Flammability:UL94V-0)  
 风扇单重:14g(Weight:14g)



## P@Q CURVE(AT RATEDVOLTAGE)



## DIMENSIONS DRAWING(unit:mm)



## 编码规则 Code Rule

例子 Example DCH12038H12B-DCH1701  
 DCH12038H12X-AY

Model No. is DCH12038H12X; Extro P/N code is AY

X means bearing type, can be S(sleeve bearing), can be B(ball bearing), can be Y(HY bearing), can be SU(sleeve with UL), can be BU(ball with UL), can be YU(HY with UL)

Y means special function code, it will be used for a certain parts no. or client.

产品型号 DCH12038H12X;附加代码 AY. X是一个不确定值,它代表了不同的轴承类型,

S(含油轴承),B(滚珠轴承),Y(液压轴承),SU(含油轴承带UL),BU(滚珠轴承带UL),YU(液压轴承带UL)

Y是一个不确定的值,它代表不同特殊风机功能,由具体客户或者料号来确定

Model	P/N Code	Rated Voltage	Operating Voltage Range	Rated Current	Rated Input Power	Speed	Maximum Air Flow		Maximum Air Pressure		Noise
型号	P/N 附加码	额定电压	工作电压范围	额定电流	额定输入功率	转速	最大风量		最大风压		噪音
PART.NO.	AY	VDC	VDC	Amp	Watt	R.P.M	M³/min	CFM	mmH2O	InH2O	dB-A
BA5010L05X		5	3.6~6.8	0.05	0.25	2500	0.030	1.31	1.34	0.053	18.40
BA5010M05X		5	3.6~6.8	0.06	0.35	3000	0.044	1.56	2.25	0.089	21.00
BA5010H05X		5	3.6~6.8	0.12	0.60	3500	0.055	1.95	3.49	0.137	22.60
BA5010HH05X		5	3.6~6.8	0.16	0.80	4000	0.063	2.23	4.73	0.172	25.10
BA5010VH05X		5	3.6~6.8	0.26	1.30	4500	0.072	2.56	6.45	0.254	28.10
BA5010HV05X		5	3.6~6.8	0.37	1.85	5000	0.080	2.83	8.64	0.340	32.10
BA5010L12X		12	7.5~13.5	0.02	0.24	2500	0.030	1.31	1.34	0.053	18.40
BA5010M12X		12	7.5~13.5	0.03	0.39	3000	0.044	1.56	2.25	0.089	21.00
BA5010H12X		12	7.5~13.5	0.05	0.60	3500	0.055	1.95	3.49	0.137	22.60
BA5010HH12X		12	7.5~13.5	0.07	0.86	4000	0.063	2.23	4.73	0.172	25.10
BA5010VH12X		12	7.5~13.5	0.11	1.32	4500	0.072	2.56	6.45	0.254	28.10
BA5010HV12X		12	7.5~13.5	0.16	1.92	5000	0.080	2.83	8.64	0.340	32.10



TKFAN®

UL US CE RoHS DT

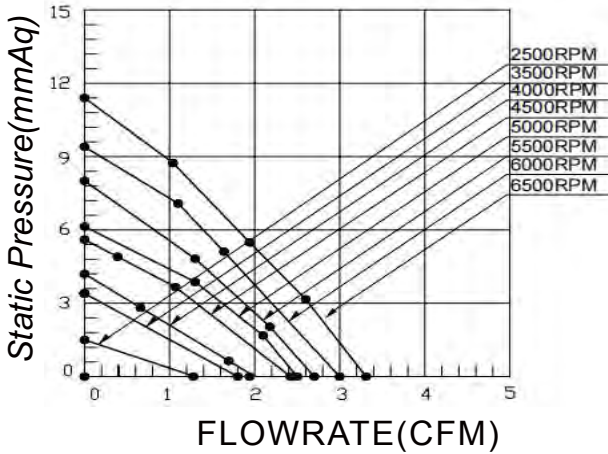
# DC Brushless Blower 50x50x10mm-B Type

版次Version 2022-9-28

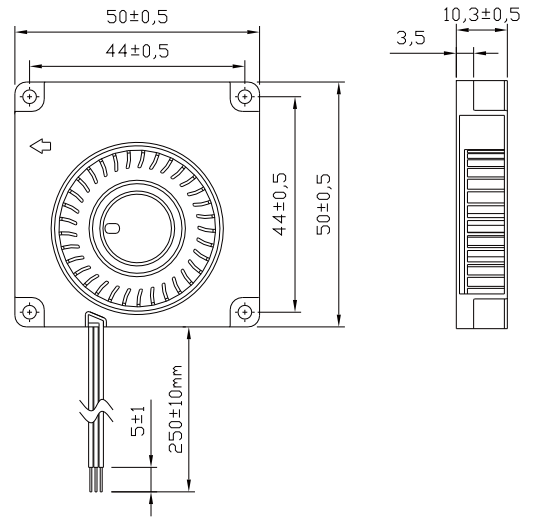
轴承结构：滚珠、含油、液压  
 Bearing: Ball、sleeve、HY  
 框外材质: 塑胶(等级:UL94V-0)  
 Frame:Plastic(Flammability:UL94V-0)  
 扇叶材质:塑胶:(等级:UL94V-0)  
 Impeller:Plastic:(Flammability:UL94V-0)  
 风扇单重:16g(Weight:16g)



## P@Q CURVE(AT RATEDVOLTAGE)



## DIMENSIONS DRAWING(unit:mm)



## 编码规则 Code Rule

例子 Example DCH12038H12B-DCH1701  
 DCH12038H12X-AY

Model No. is DCH12038H12X; Extro P/N code is AY

X means bearing type, can be S(sleeve bearing), can be B(ball bearing), can be Y(HY bearing), can be SU(sleeve with UL), can be BU(ball with UL), can be YU(HY with UL)

Y means special function code, it will be used for a certain parts no. or client.

产品型号 DCH12038H12X; 附加代码 AY. X是一个不确定值, 它代表了不同的轴承类型,

S(含油轴承), B(滚珠轴承), Y(液压轴承), SU(含油轴承带UL), BU(滚珠轴承带UL), YU(液压轴承带UL)

Y是一个不确定的值, 它代表不同特殊风机功能, 由具体客户或者料号来确定

Model	P/N Code	Rated Voltage	Operating Voltage Range	Rated Current	Rated Input Power	Speed	Maximum Air Flow		Maximum Air Pressure		Noise
型号	P/N 附加码	额定电压	工作电压范围	额定电流	额定输入功率	转速	最大风量		最大风压		噪音
PART.NO.	BY	VDC	VDC	Amp	Watt	R.P.M	M³/min	CFM	mmH2	InH2	dB-A
BA5010LL05X		5	3.6~6.8	0.03	0.15	2500	0.037	1.3	1.5	0.059	21.2
BA5010L05X		5	3.6~6.8	0.06	0.3	3500	0.051	1.8	3.4	0.134	24.6
BA5010M05X		5	3.6~6.8	0.06	0.3	4000	0.057	2.0	3.6	0.142	25.2
BA5010VM05X		5	3.6~6.8	0.11	0.55	4500	0.065	2.3	5.6	0.221	27.0
BA5010H05X		5	3.6~6.8	0.11	0.55	5000	0.071	2.5	6.1	0.240	28.9
BA5010HH05X		5	3.6~6.8	0.14	0.7	5500	0.076	2.7	7.5	0.295	30.9
BA5010VH05X		5	3.6~6.8	0.23	1.15	6000	0.083	2.9	9.4	0.370	32.1
BA5010HV05X		5	3.6~6.8	0.24	1.2	6500	0.093	3.3	11.4	0.449	33.7
BA5010LL12X		12	7.5~13.5	0.02	0.24	2500	0.037	1.3	1.5	0.059	21.2
BA5010L12X		12	7.5~13.5	0.03	0.36	3500	0.051	1.8	3.4	0.134	24.6
BA5010M12X		12	7.5~13.5	0.04	0.48	4000	0.057	2.0	3.6	0.142	25.2

Model	P/N Code	Rated Voltage	Operating Voltage Range	Rated Current	Rated Input Power	Speed	Maximum Air Flow		Maximum Air Pressure		Noise
型号	P/N 附加码	额定电压	工作电压范围	额定电流	额定输入功率	转速	最大风量		最大风压		噪音
PART.NO.	BY	VDC	VDC	Amp	Watt	R.P.M	M³/min	CFM	mmH2	InH2	dB-A
BA5010VM12X		12	7.5~13.5	0.06	0.72	4500	0.065	2.3	5.6	0.221	27.0
BA 5010H12X		12	7.5~13.5	0.06	0.72	5000	0.071	2.5	6.1	0.240	28.9
BA5010HH12X		12	7.5~13.5	0.1	1.2	5500	0.076	2.7	7.5	0.295	30.9
BA5010VH12X		12	7.5~13.5	0.13	1.56	6000	0.083	2.9	9.4	0.370	32.1
BA5010HV12X		12	7.5~13.5	0.14	1.68	6500	0.093	3.3	11.4	0.449	33.7



TKFAN®

UL US CE RoHS

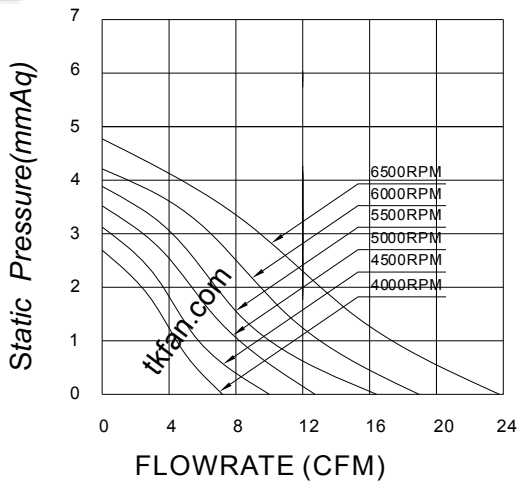
# DC Brushless Blower 50x50x15mm-A Type

版次Version 2017-4-12

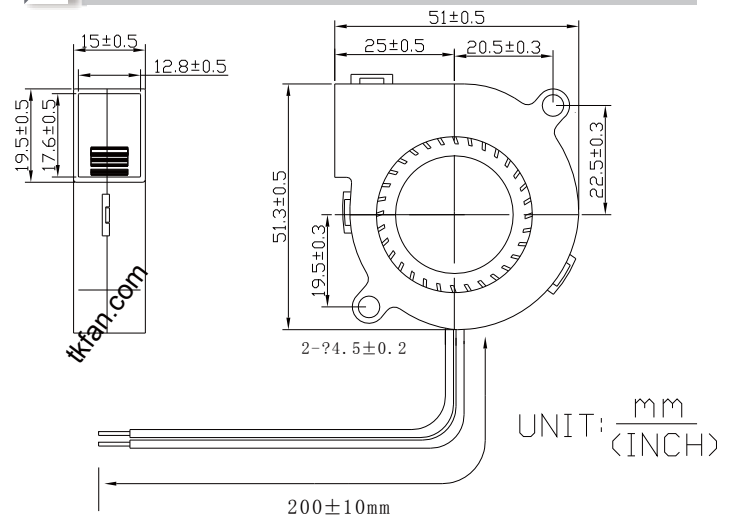


轴承结构：滚珠、含油、液压  
 Bearing: Ball、sleeve、HY  
 框外材质: 塑胶(等级:UL94V-0)  
 Frame:Plastic(Flammability:UL94V-0)  
 扇叶材质:塑胶:(等级:UL94V-0)  
 Impeller:Plastic:(Flammability:UL94V-0)  
 风扇单重:27g(Weight:27g)

## P@Q CURVE(AT RATEDVOLTAGE)



## DIMENSIONS DRAWING(unit:mm)



## 编码规则 Code Rule

例子 Example DCH12038H12B-DCH1701  
 DCH12038H12X-AY

Model No. is DCH12038H12X; Extro P/N code is AY  
 X means bearing type, can be S(sleeve bearing), can be B(ball bearing), can be Y(HY bearing), can be SU(sleeve with UL), can be BU(ball with UL), can be YU(HY with UL)  
 Y means special function code, it will be used for a certain parts no. or client.  
 产品型号 DCH12038H12X;附加代码 AY. X是一个不确定值,它代表了不同的轴承类型,  
 S(含油轴承),B(滚珠轴承),Y(液压轴承),SU(含油轴承带UL),BU(滚珠轴承带UL),YU(液压轴承带UL)  
 Y是一个不确定的值,它代表不同特殊风机功能,由具体客户或者料号来确定

Model	P/N Code	Rated Voltage	Operating Voltage Range	Rated Current	Rated Input Power	Speed	Maximum Air Flow		Maximum Air Pressure		Noise
型号	P/N 附加码	额定电压	工作电压范围	额定电流	额定输入功率	转速	最大风量		最大风压		噪音
PART.NO.	AY	VDC	VDC	Amp	Watt	R.P.M	M³/min	CFM	mmH2O	InH2O	dB-A
BA5015L05X		5	1.8~3.6~6.8	0.34	1.68	4000	0.08	2.81	7.56	0.298	34.3
BA5015M05X		5	1.8~3.6~6.8	0.43	2.16	4500	0.089	3.15	9.69	0.381	37.1
BA5015H05X		5	1.8~3.6~6.8	0.53	2.64	5000	0.1	3.54	12.57	0.495	39.6
BA5015HH05X		5	1.8~3.6~6.8	0.62	3.12	5500	0.112	3.96	16.12	0.635	42.5
BA5015VH05X		5	1.8~3.6~6.8	0.72	3.6	6000	0.12	4.23	19.38	0.763	44.3
BA5015HV05X		5	1.8~3.6~6.8	0.768	3.84	6500	0.133	4.71	23.98	0.944	46.3
BA5015L12X		12	7~13.5	0.14	1.68	4000	0.08	2.81	7.56	0.298	34.3
BA5015M12X		12	7~13.5	0.18	2.16	4500	0.089	3.15	9.69	0.381	37.1
BA5015H12X		12	7~13.5	0.22	2.64	5000	0.1	3.54	12.57	0.495	39.6
BA5015HH12X		12	7~13.5	0.26	3.12	5500	0.112	3.96	16.12	0.635	42.5
BA5015VH12X		12	7~13.5	0.3	3.6	6000	0.12	4.23	19.38	0.763	44.3
BA5015HV12X		12	7~13.5	0.32	3.84	6500	0.133	4.71	23.98	0.944	46.3



TKFAN®

UL US CE RoHS

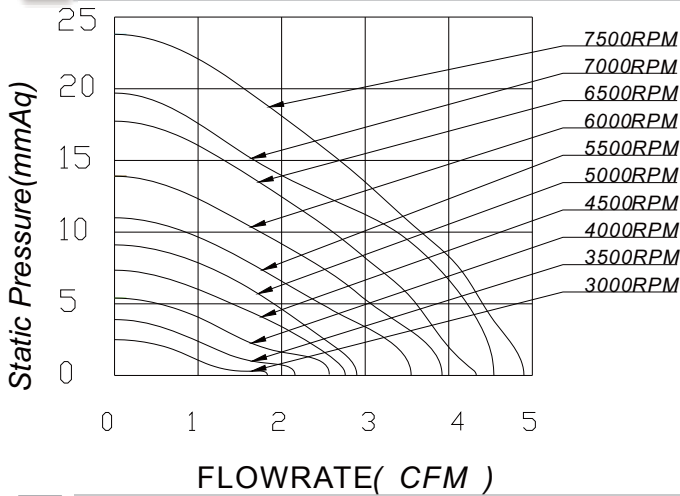
# DC Brushless Blower 50x50x15mm-B Type

版次Version 2020-1-13

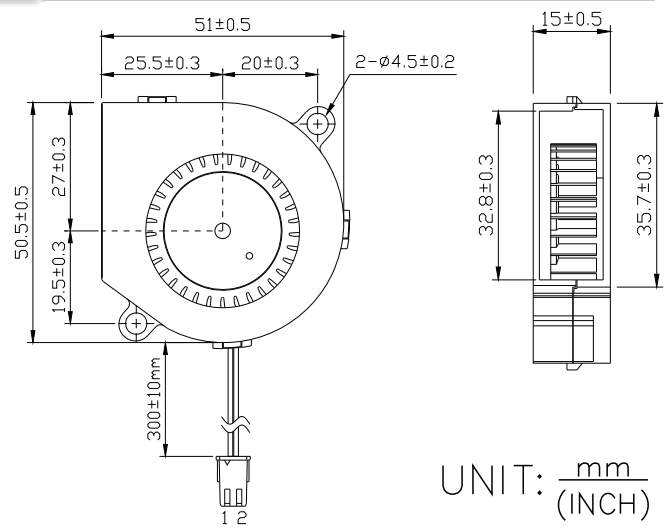
轴承结构：滚珠、含油、液压  
 Bearing: Ball、sleeve、HY  
 框外材质: 塑胶(等级:UL94V-0)  
 Frame:Plastic(Flammability:UL94V-0)  
 扇叶材质:塑胶:(等级:UL94V-0)  
 Impeller:Plastic:(Flammability:UL94V-0)  
 风扇单重:27g(Weight:27g)



## P@Q CURVE(AT RATEDVOLTAGE)



## DIMENSIONS DRAWING(unit:mm)



UNIT:  $\frac{\text{mm}}{\text{INCH}}$

## 编码规则 Code Rule

例子 Example DCH12038H12B-DCH1701  
 DCH12038H12X-AY

Model No. is DCH12038H12X; Extro P/N code is AY  
 X means bearing type, can be S(sleeve bearing), can be B(ball bearing), can be Y(HY bearing), can be SU(sleeve with UL), can be BU(ball with UL), can be YU(HY with UL)  
 Y means special function code, it will be used for a certain parts no. or client.  
 产品型号 DCH12038H12X;附加代码 AY. X是一个不确定值,它代表了不同的轴承类型,  
 S(含油轴承),B(滚珠轴承),Y(液压轴承),SU(含油轴承带UL),BU(滚珠轴承带UL),YU(液压轴承带UL)  
 Y是一个不确定的值,它代表不同特殊风机功能,由具体客户或者料号来确定

Model	P/N Code	Rated Voltage	Operating Voltage Range	Rated Current	Rated Input Power	Speed	Maximum Air Flow		Maximum Air Pressure		Noise
型号	P/N 附加码	额定电压	工作电压范围	额定电流	额定输入功率	转速	最大风量		最大风压		噪音
PART.NO.	BY	VDC	VDC	Amp	Watt	R.P.M	M³/min	CFM	mmH2O	InH2O	dB-A
BA5015LL05X		5	1.8~3.6~6.8	0.1	0.5	3000	0.052	1.83	2.49	0.098	25.4
BA5015L05X		5	1.8~3.6~6.8	0.12	0.6	3500	0.061	2.16	3.89	0.153	27.9
BA5015LM05X		5	1.8~3.6~6.8	0.16	0.8	4000	0.073	2.57	5.38	0.212	32
BA5015M05X		5	1.8~3.6~6.8	0.20	1.0	4500	0.082	2.89	6.99	0.275	35.4
BA5015MH05X		5	1.8~3.6~6.8	0.22	1.1	5000	0.091	3.22	9.11	0.359	38.7
BA5015H05X		5	1.8~3.6~6.8	0.24	1.2	5500	0.100	3.55	11.09	0.437	40.7
BA5015HM05X		5	1.8~3.6~6.8	0.26	1.3	6000	0.111	3.92	13.89	0.547	43
BA5015HH05X		5	1.8~3.6~6.8	0.28	1.4	6500	0.119	4.19	17.74	0.698	45.1
BA5015VH05X		5	1.8~3.6~6.8	0.30	1.5	7000	0.123	4.33	19.72	0.776	47.1
BA5015HV05X		5	1.8~3.6~6.8	0.32	1.6	7500	0.139	4.9	23.79	0.937	48.5
BA5015LL12X		12	7.5~13.5	0.05	0.5	3000	0.052	1.83	2.49	0.098	25.4
BA5015L12X		12	7.5~13.5	0.06	0.6	3500	0.061	2.16	3.89	0.153	27.9
BA5015LM12X		12	7.5~13.5	0.08	0.8	4000	0.073	2.57	5.38	0.212	32
BA5015M12X		12	7.5~13.5	0.1	1.0	4500	0.082	2.89	6.99	0.275	35.4

Model	P/N Code	Rated Voltage	Operating Voltage Range	Rated Current	Rated Input Power	Speed	Maximum Air Flow		Maximum Air Pressure		Noise
型号	P/N 附加码	额定电压	工作电压范围	额定电流	额定输入功率	转速	最大风量		最大风压		噪音
PART.NO.	BY	VDC	VDC	Amp	Watt	R.P.M	M³/min	CFM	mmH2O	InH2O	dB-A
BA5015MH12X		12	7.5~13.5	0.11	1.1	5000	0.091	3.22	9.11	0.359	38.7
BA5015H12X		12	7.5~13.5	0.12	1.2	5500	0.100	3.55	11.09	0.437	40.7
BA5015HM12X		12	7.5~13.5	0.13	1.3	6000	0.111	3.92	13.89	0.547	43
BA5015HH12X		12	7.5~13.5	0.14	1.4	6500	0.119	4.19	17.74	0.698	45.1
BA5015VH12X		12	7.5~13.5	0.15	1.5	7000	0.123	4.33	19.72	0.776	47.1
BA5015HV12X		12	7.5~13.5	0.16	1.6	7500	0.139	4.9	23.79	0.937	48.5



TKFAN®

UL US CE RoHS

# DC Brushless Blower 50x50x20mm-A Type

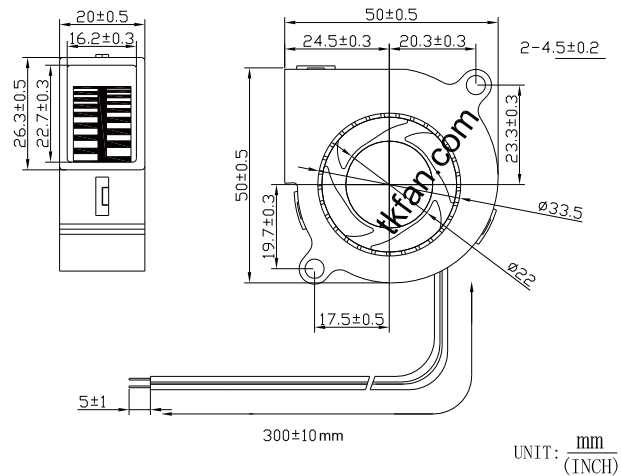
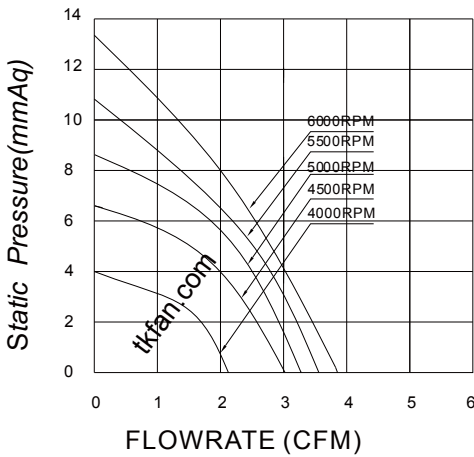
版次Version 2017-4-12



轴承结构：滚珠、含油、液压  
 Bearing: Ball、sleeve、HY  
 框外材质: 塑胶(等级:UL94V-0)  
 Frame:Plastic(Flammability:UL94V-0)  
 扇叶材质:塑胶:(等级:UL94V-0)  
 Impeller:Plastic:(Flammability:UL94V-0)  
 风扇单重:32g(Weight:32g)

## P@Q CURVE(AT RATEDVOLTAGE)

## DIMENSIONS DRAWING(unit:mm)



## 编码规则 Code Rule

例子 Example DCH12038H12B-DCH1701  
 DCH12038H12X-AY

Model No. is DCH12038H12X; Extro P/N code is AY

X means bearing type, can be S(sleeve bearing), can be B(ball bearing), can be Y(HY bearing), can be SU(sleeve with UL), can be BU(ball with UL), can be YU(HY with UL)

Y means special function code, it will be used for a certain parts no. or client.

产品型号 DCH12038H12X; 附加代码 AY. X是一个不确定值, 它代表了不同的轴承类型,

S(含油轴承), B(滚珠轴承), Y(液压轴承), SU(含油轴承带UL), BU(滚珠轴承带UL), YU(液压轴承带UL)

Y是一个不确定的值, 它代表不同特殊风机功能, 由具体客户或者料号来确定

Model	P/N Code	Rated Voltage	Operating Voltage Range	Rated Current	Rated Input Power	Speed	Maximum Air Flow		Maximum Air Pressure		Noise
型号	P/N 附加码	额定电压	工作电压范围	额定电流	额定输入功率	转速	最大风量		最大风压		噪音
PART.NO.	AY	VDC	VDC	Amp	Watt	R.P.M	M³/min	CFM	mmH2O	InH2O	dB-A
BA5020L05X		5	1.8~3.6~6.8	0.34	1.68	4000	0.060	2.13	4.0	0.157	31.5
BA5020LL05X		5	1.8~3.6~6.8	0.43	2.16	4500	0.086	3.04	6.68	0.263	34.2
BA5020M05X		5	1.8~3.6~6.8	0.53	2.64	5000	0.096	3.4	8.56	0.337	38.9
BA5020L12X		12	7~13.5	0.14	1.68	4000	0.060	2.13	4.0	0.157	31.5
BA5020LL12X		12	7~13.5	0.18	2.16	4500	0.086	3.04	6.68	0.263	34.2
BA5020M12X		12	7~13.5	0.22	2.64	5000	0.096	3.4	8.56	0.337	38.9
BA5020H12X		12	7~13.5	0.26	3.12	5500	0.102	3.6	10.81	0.426	39.9
BA5020HH12X		12	7~13.5	0.3	3.6	6000	0.107	3.79	13.33	0.525	42.7
BA5020L24X		24	18~26.5	0.07	1.68	4000	0.060	2.13	4.0	0.157	31.5
BA5020LL24X		24	18~26.5	0.09	2.16	4500	0.086	3.04	6.68	0.263	34.2
BA5020M24X		24	18~26.5	0.11	2.64	5000	0.096	3.4	8.56	0.337	38.9
BA5020H24X		24	18~26.5	0.13	3.12	5500	0.102	3.6	10.81	0.426	39.9
BA5020HH24X		24	18~26.5	0.15	3.6	6000	0.107	3.79	13.33	0.525	42.7



TKFAN<sup>®</sup>

UL US CE RoHS

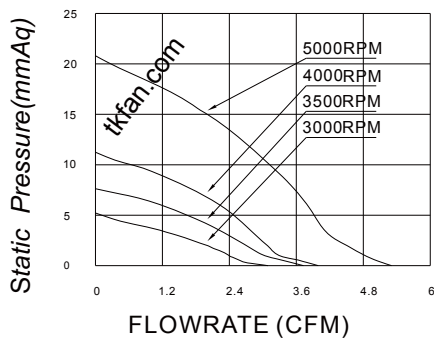
# DC Brushless Blower 50x50x25mm-A Type

版次Version 2018-5-23

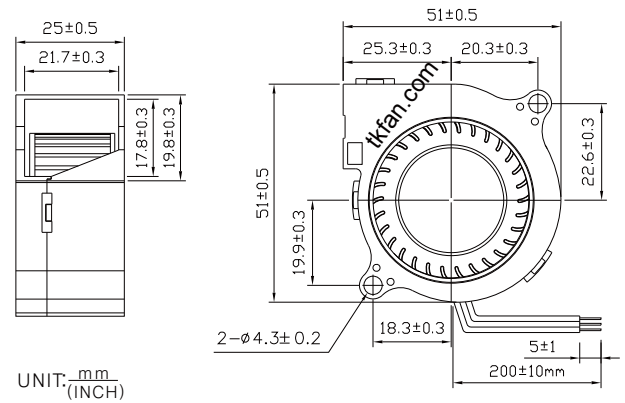


轴承结构：滚珠、含油、液压  
 Bearing: Ball、sleeve、HY  
 框外材质: 塑胶(等级:UL94V-0)  
 Frame:Plastic(Flammability:UL94V-0)  
 扇叶材质:塑胶:(等级:UL94V-0)  
 Impeller:Plastic:(Flammability:UL94V-0)  
 风扇单重:34g(Weight:34g)

## P@Q CURVE(AT RATEDVOLTAGE)



## DIMENSIONS DRAWING(unit:mm)



## 编码规则 Code Rule

例子 Example DCH12038H12B-DCH1701  
 DCH12038H12X-AY

Model No. is DCH12038H12X; Extro P/N code is AY  
 X means bearing type, can be S(sleeve bearing), can be B(ball bearing), can be Y(HY bearing), can be SU(sleeve with UL), can be BU(ball with UL), can be YU(HY with UL)  
 Y means special function code, it will be used for a certain parts no. or client.  
 产品型号 DCH12038H12X;附加代码 AY. X是一个不确定值,它代表了不同的轴承类型  
 S(含油轴承),B(滚珠轴承),Y(液压轴承),SU(含油轴承带UL),BU(滚珠轴承带UL),YU(液压轴承带UL)  
 Y是一个不确定的值,它代表不同特殊风机功能,由具体客户或者料号来确定

Model	P/N Code	Rated Voltage	Operating Voltage Range	Rated Current	Rated Input Power	Speed	Maximum Air Flow		Maximum Air Pressure		Noise
型号	P/N 附加码	额定电压	工作电压范围	额定电流	额定输入功率	转速	最大风量		最大风压		噪音
PART.NO.	AY	VDC	VDC	Amp	Watt	R.P.M	M <sup>3</sup> /min	CFM	mmH2O	InH2O	dB-A
BA5025L05X		5	3.6~6.8	0.16	0.8	3000	0.087	3.09	5.22	0.599	34.5
BA5025M05X		5	3.6~6.8	0.22	1.1	3500	0.105	3.73	7.62	0.301	37.5
BA5025H05X		5	3.6~6.8	0.35	1.75	4000	0.113	3.99	11.24	0.442	40.3
BA5025HH05X		5	3.6~6.8	0.63	3.15	5000	0.151	5.30	20.801	0.819	46.2
BA5025L12X		12	7.5~13.5	0.07	0.84	3000	0.087	3.09	5.22	0.599	34.5
BA5025M12X		12	7.5~13.5	0.1	1.2	3500	0.105	3.73	7.62	0.301	37.5
BA5025H12X		12	7.5~13.5	0.15	1.8	4000	0.113	3.99	11.24	0.442	40.3
BA5025HH12X		12	7.5~13.5	0.26	3.12	5000	0.151	5.30	20.801	0.819	46.2
BA5025L24X		24	18~26.5	0.035	0.84	3000	0.087	3.09	5.22	0.599	34.5
BA5025M24X		24	18~26.5	0.05	1.2	3500	0.105	3.73	7.62	0.301	37.5
BA5025H24X		24	18~26.5	0.075	1.8	4000	0.113	3.99	11.24	0.442	40.3
BA5025HH24X		24	18~26.5	0.13	3.12	5000	0.151	5.30	20.801	0.819	46.2



TKFAN®

C US CE RoHS

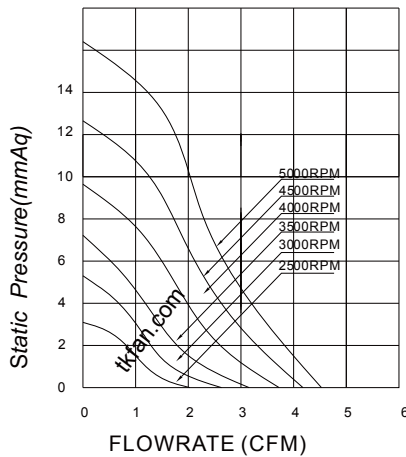
## DC Brushless Blower 60x60x15mm-A Type

版次Version 2017-4-12

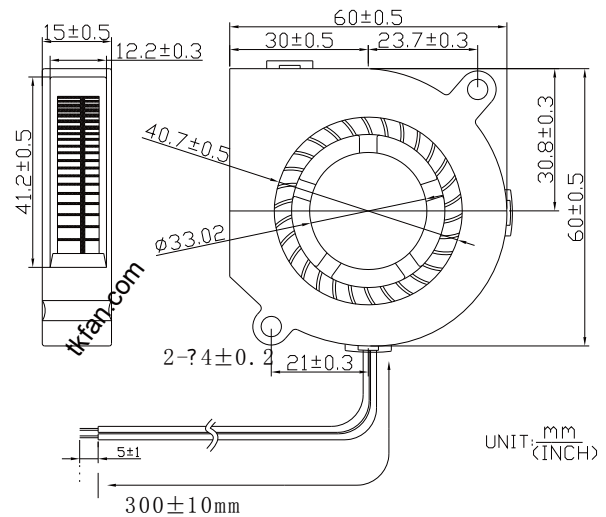
轴承结构：滚珠、含油、液压  
Bearing: Two ball、sleeve、HY  
框外材质: 塑胶(等级:UL94V-0)  
Frame:Plastic(Flammability:UL94V-0)  
扇叶材质:塑胶:(等级:UL94V-0)  
Impeller:Plastic:(Flammability:UL94V-0)  
风扇单重:64g(Weight:66g)



### P@Q CURVE(AT RATEDVOLTAGE)



### DIMENSIONS DRAWING(unit:mm)



### 编码规则 Code Rule

例子 Example DCH12038H12B-DCH1701  
DCH12038H12X-AY

Model No. is DCH12038H12X; Extro P/N code is AY  
X means bearing type, can be S(sleeve bearing), can be B(ball bearing), can be Y(HY bearing), can be SU(sleeve with UL), can be BU(ball with UL), can be YU(HY with UL)  
Y means special function code, it will be used for a certain parts no. or client.  
产品型号 DCH12038H12X;附加代码 AY. X是一个不确定值,它代表了不同的轴承类型,  
S(含油轴承),B(滚珠轴承),Y(液压轴承),SU(含油轴承带UL),BU(滚珠轴承带UL),YU(液压轴承带UL)  
Y是一个不确定的值,它代表不同特殊风机功能,由具体客户或者料号来确定

Model	P/N Code	Rated Voltage	Operating Voltage Range	Rated Current	Rated Input Power	Speed	Maximum Air Flow		Maximum Air Pressure		Noise
型号	P/N 附加码	额定电压	工作电压范围	额定电流	额定输入功率	转速	最大风量		最大风压		噪音
PART.NO.	AY	VDC	VDC	Amp	Watt	R.P.M	M³/min	CFM	mmH2O	InH2O	dB-A
BA6015L12X		12	6~13.5	0.1	1.2	2500	0.063	2.24	3.31	0.13	24.4
BA6015M12X		12	6~13.5	0.14	1.68	3000	0.079	2.78	5.12	0.201	29.5
BA6015H12X		12	6~13.5	0.22	2.64	3500	0.09	3.16	7.13	0.28	33.6
BA6015HH12X		12	6~13.5	0.30	3.6	4000	0.104	3.67	9.72	0.383	36.9
BA6015VH12X		12	6~13.5	0.35	4.2	4500	0.117	4.13	12.7	0.5	40.5
BA6015HV12X		12	6~13.5	0.4	4.8	5000	0.128	4.54	16.62	0.654	43.5
BA6015L24X		24	18~26.5	0.05	1.2	2500	0.063	2.24	3.31	0.13	24.4
BA6015M24X		24	18~26.5	0.07	1.68	3000	0.079	2.78	5.12	0.201	29.5
BA6015H24X		24	18~26.5	0.11	2.64	3500	0.09	3.16	7.13	0.28	33.6
BA6015HH24X		24	18~26.5	0.15	3.6	4000	0.104	3.67	9.72	0.383	36.9
BA6015VH24X		24	18~26.5	0.16	3.84	4500	0.117	4.13	12.7	0.5	40.5
BA6015HV24X		24	18~26.5	0.18	4.32	5000	0.128	4.54	16.62	0.654	43.5



TKFAN®

C<sub>UL</sub> US CE RoHS

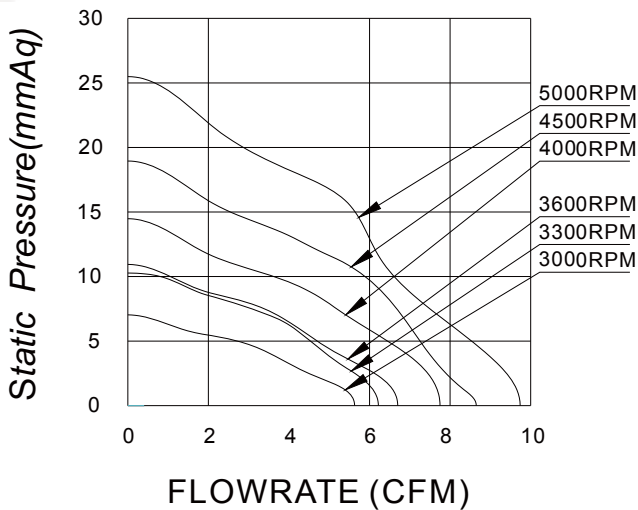
# DC Brushless Blower 60x60x25mm-A Type

版次Version 2020-3-10

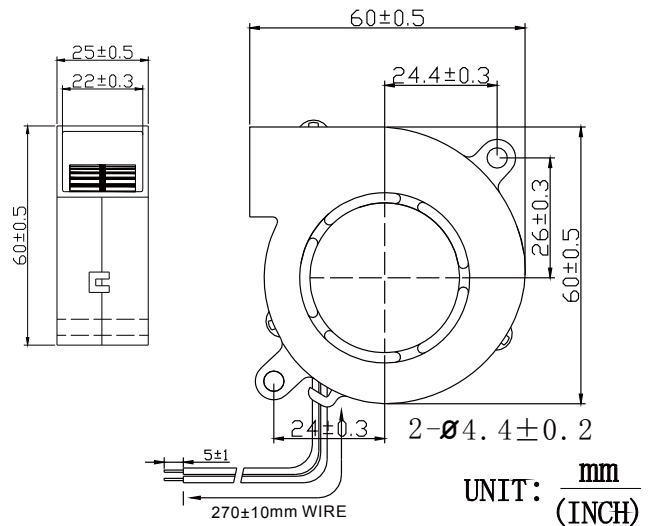
轴承结构：滚珠、含油、液压  
 Bearing: Ball、sleeve、HY  
 框外材质: 塑胶(等级:UL94V-0)  
 Frame:Plastic(Flammability:UL94V-0)  
 扇叶材质:塑胶:(等级:UL94V-0)  
 Impeller:Plastic:(Flammability:UL94V-0)  
 风扇单重:50g(Weight:50g)



## P@Q CURVE(AT RATEDVOLTAGE)



## DIMENSIONS DRAWING(unit:mm)



## 编码规则 Code Rule

例子 Example DCH12038H12B-DCH1701  
 DCH12038H12X-AY

Model No. is DCH12038H12X; Extro P/N code is AY  
 X means bearing type, can be S(sleeve bearing), can be B(ball bearing), can be Y(HY bearing), can be SU(sleeve with UL), can be BU(ball with UL), can be YU(HY with UL)  
 Y means special function code, it will be used for a certain parts no. or client.  
 产品型号 DCH12038H12X; 附加代码 AY. X是一个不确定值, 它代表了不同的轴承类型, S(含油轴承), B(滚珠轴承), Y(液压轴承), SU(含油轴承带UL), BU(滚珠轴承带UL), YU(液压轴承带UL)  
 Y是一个不确定的值, 它代表不同特殊风机功能, 由具体客户或者料号来确定

Model	P/N Code	Rated Voltage	Operating Voltage Range	Rated Current	Rated Input Power	Speed	Maximum Air Flow		Maximum Air Pressure		Noise
型号	P/N 附加码	额定电压	工作电压范围	额定电流	额定输入功率	转速	最大风量		最大风压		噪音
PART.NO.	AY	VDC	VDC	Amp	Watt	R.P.M	M <sup>3</sup> /min	CFM	mmH2O	InH2O	dB-A
BA6025L12X		12	8.5~13.5	0.1	1.2	3000	0.159	5.63	7.03	0.277	31
BA6025M12X		12	8.5~13.5	0.14	1.68	3300	0.176	6.22	10.27	0.404	33
BA6025H12X		12	8.5~13.5	0.16	1.92	3600	0.190	6.7	10.94	0.431	34.7
BA6025HH12X		12	8.5~13.5	0.2	2.4	4000	0.219	7.75	14.48	0.570	39.7
BA6025VH12X		12	8.5~13.5	0.25	3	4500	0.245	8.65	18.95	0.746	42.5
BA6025HV12X		12	8.5~13.5	0.3	3.6	5000	0.276	9.74	25.49	1.004	46.4
BA6025L24X		24	18~26.5	0.05	1.2	3000	0.159	5.63	7.03	0.277	31
BA6025M24X		24	18~26.5	0.07	1.68	3300	0.176	6.22	10.27	0.404	33
BA6025H24X		24	18~26.5	0.08	1.92	3600	0.190	6.7	10.94	0.431	34.7
BA6025HH24X		24	18~26.5	0.1	2.4	4000	0.219	7.75	14.48	0.570	39.7
BA6025VH24X		24	18~26.5	0.125	3	4500	0.245	8.65	18.95	0.746	42.5
BA6025HV24X		24	18~26.5	0.15	3.6	5000	0.276	9.74	25.49	1.004	46.4



TKFAN®

UL US CE RoHS

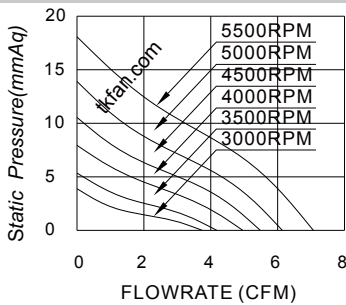
# DC Brushless Blower 60x60x28mm-A Type

版次Version 2019-8-13

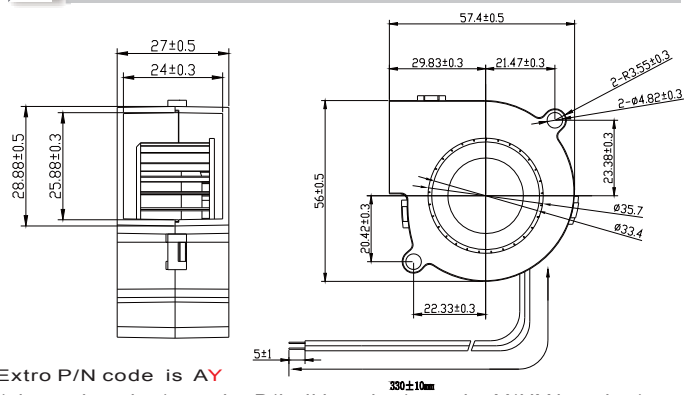
轴承结构：滚珠、含油、液压  
 Bearing: Ball、sleeve、HY  
 框外材质: 塑胶(等级:UL94V-0)  
 Frame:Plastic(Flammability:UL94V-0)  
 扇叶材质:塑胶:(等级:UL94V-0)  
 Impeller:Plastic:(Flammability:UL94V-0)  
 风扇单重:46g(Weight:46g)



## P@Q CURVE(AT RATEDVOLTAGE)



## DIMENSIONS DRAWING(unit:mm)



## 编码规则 Code Rule

例子 Example DCH12038H12B-DCH1701  
 DCH12038H12X-AY

Model No. is DCH12038H12X; Extro P/N code is AY  
 X means bearing type, can be S(sleeve bearing), can be B(ball bearing), can be Y(HY bearing), can be SU(sleeve with UL), can be BU(ball with UL), can be YU(HY with UL)  
 Y means special function code, it will be used for a certain parts no. or client.  
 产品型号 DCH12038H12X;附加代码 AY. X是一个不确定值,它代表了不同的轴承类型,  
 S(含油轴承),B(滚珠轴承),Y(液压轴承),SU(含油轴承带UL),BU(滚珠轴承带UL),YU(液压轴承带UL)  
 Y是一个不确定的值,它代表不同特殊风机功能,由具体客户或者料号来确定

Model	P/N Code	Rated Voltage	Operating Voltage Range	Rated Current	Rated Input Power	Speed	Maximum Air Flow		Maximum Air Pressure		Noise
型号	P/N 附加码	额定电压	工作电压范围	额定电流	额定输入功率	转速	最大风量		最大风压		噪音
PART.NO.	AY	VDC	VDC	Amp	Watt	R.P.M	M³/min	CFM	mmH2O	InH2O	dB-A
BA6028L05X		5	3.6~6.8	0.144	0.72	3000	0.107	3.79	3.91	0.155	29.4
BA6028M05X		5	3.6~6.8	0.192	0.96	3500	0.120	4.25	5.54	0.218	32.6
BA6028H05X		5	3.6~6.8	0.24	1.2	4000	0.140	4.94	7.79	0.307	36.6
BA6028HH05X		5	3.6~6.8	0.336	1.68	4500	0.156	5.52	10.29	0.405	38.8
BA6028VH05X		5	3.6~6.8	0.432	2.16	5000	0.179	6.32	13.76	0.542	41.3
BA6028HV05X		5	3.6~6.8	0.48	2.4	5500	0.199	6.99	17.67	0.696	44.3
BA6028L12X		12	7.5~13.5	0.06	0.72	3000	0.107	3.79	3.91	0.155	29.4
BA6028M12X		12	7.5~13.5	0.08	0.96	3500	0.120	4.25	5.54	0.218	32.6
BA6028H12X		12	7.5~13.5	0.1	1.2	4000	0.140	4.94	7.79	0.307	36.6
BA6028HH12X		12	7.5~13.5	0.14	1.68	4500	0.156	5.52	10.29	0.405	38.8
BA6028VH12X		12	7.5~13.5	0.18	2.16	5000	0.179	6.32	13.76	0.542	41.3
BA6028HV12X		12	7.5~13.5	0.2	2.4	5500	0.199	6.99	17.67	0.696	44.3
BA6028L24X		24	18~26.5	0.03	0.72	3000	0.107	3.79	3.91	0.155	29.4
BA6028M24X		24	18~26.5	0.04	0.96	3500	0.120	4.25	5.54	0.218	32.6
BA6028H24X		24	18~26.5	0.05	1.2	4000	0.140	4.94	7.79	0.307	36.6
BA6028HH24X		24	18~26.5	0.07	1.68	4500	0.156	5.52	10.29	0.405	38.8
BA6028VH24X		24	18~26.5	0.09	2.16	5000	0.179	6.32	13.76	0.542	41.3
BA6028HV24X		24	18~26.5	0.1	2.4	5500	0.199	6.99	17.67	0.696	44.3



TKFAN®

UL US CE RoHS

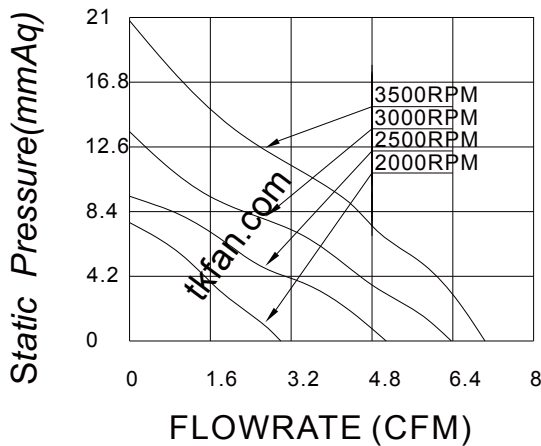
# DC Brushless Blower 70x70x15mm-A Type

版次Version 2017-4-12

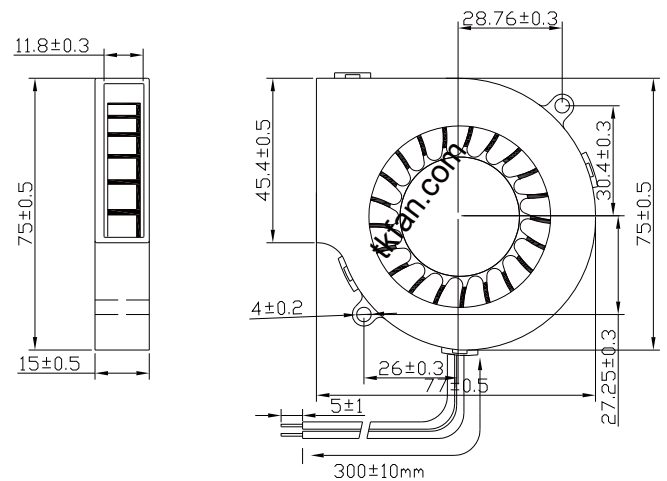


轴承结构：滚珠、含油、液压  
 Bearing: Two ball、sleeve、HY  
 框外材质: 塑胶(等级:UL94V-0)  
 Frame:Plastic(Flammability:UL94V-0)  
 扇叶材质:塑胶:(等级:UL94V-0)  
 Impeller:Plastic:(Flammability:UL94V-0)  
 风扇单重:66g(Weight:66g)

## P@Q CURVE(AT RATEDVOLTAGE)



## DIMENSIONS DRAWING(unit:mm)



## 编码规则 Code Rule

例子 Example DCH12038H12B-DCH1701  
 DCH12038H12X-AY

Model No. is DCH12038H12X; Extro P/N code is AY

X means bearing type, can be S(sleeve bearing), can be B(ball bearing), can be Y(HY bearing), can be SU(sleeve with UL), can be BU(ball with UL), can be YU(HY with UL)

Y means special function code, it will be used for a certain parts no. or client.

产品型号 DCH12038H12X;附加代码 AY. X是一个不确定值,它代表了不同的轴承类型,

S(含油轴承),B(滚珠轴承),Y(液压轴承),SU(含油轴承带UL),BU(滚珠轴承带UL),YU(液压轴承带UL)

Y是一个不确定的值,它代表不同特殊风机功能,由具体客户或者料号来确定

Model	P/N Code	Rated Voltage	Operating Voltage Range	Rated Current	Rated Input Power	Speed	Maximum Air Flow		Maximum Air Pressure		Noise
型号	P/N 附加码	额定电压	工作电压范围	额定电流	额定输入功率	转速	最大风量		最大风压		噪音
PART.NO.	AY	VDC	VDC	Amp	Watt	R.P.M	M³/min	CFM	mmH2O	InH2O	dB-A
BA7015L12X		12	6~13.5	0.1	1.2	2000	0.119	4.2	5.29	0.208	30.2
BA7015LM12X		12	6~13.5	0.14	1.68	2500	0.147	5.18	9.3	0.336	35.7
BA7015M12X		12	6~13.5	0.22	2.64	3000	0.178	6.27	13.81	0.544	39.6
BA7015H12X		12	6~13.5	0.30	3.6	3500	0.204	7.21	20.66	0.813	44.4
BA7015L24X		24	18~26.5	0.05	1.2	2000	0.119	4.2	5.29	0.208	30.2
BA7015LM24X		24	18~26.5	0.07	1.68	2500	0.147	5.18	9.3	0.336	35.7
BA7015M24X		24	18~26.5	0.11	2.64	3000	0.178	6.27	13.81	0.544	39.6
BA7015H24X	24	18~26.5	0.15	3.6	3500	0.204	7.21	20.66	0.813	44.4	



TKFAN®

UL US CE RoHS

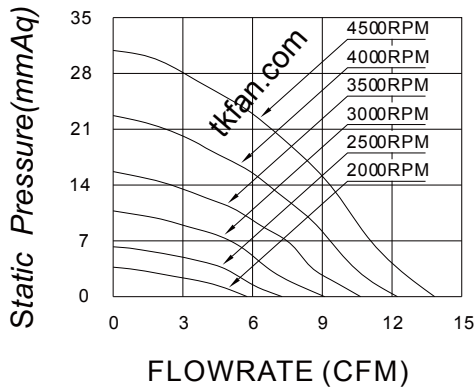
# DC Brushless Blower 75x75x25mm-A Type

版次Version 2019-3-23

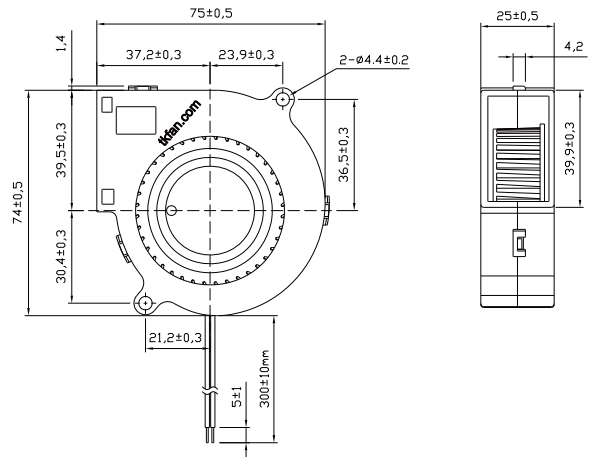
轴承结构：滚珠、含油、液压  
 Bearing: Ball、sleeve、HY  
 框外材质: 塑胶(等级:UL94V-0)  
 Frame:Plastic(Flammability:UL94V-0)  
 扇叶材质:塑胶:(等级:UL94V-0)  
 Impeller:Plastic:(Flammability:UL94V-0)  
 风扇单重:65g(Weight:65g)



## P@Q CURVE(AT RATEDVOLTAGE)



## DIMENSIONS DRAWING(unit:mm)



## 编码规则 Code Rule

例子 Example DCH12038H12B-DCH1701  
 DCH12038H12X-AY

Model No. is DCH12038H12X; Extro P/N code is AY  
 X means bearing type, can be S(sleeve bearing), can be B(ball bearing), can be Y(HY bearing), can be SU(sleeve with UL), can be BU(ball with UL), can be YU(HY with UL)  
 Y means special function code, it will be used for a certain parts no. or client.  
 产品型号 DCH12038H12X;附加代码 AY. X是一个不确定值,它代表了不同的轴承类型,  
 S(含油轴承),B(滚珠轴承),Y(液压轴承),SU(含油轴承带UL),BU(滚珠轴承带UL),YU(液压轴承带UL)  
 Y是一个不确定的值,它代表不同特殊风机功能,由具体客户或者料号来确定

Model	P/N Code	Rated Voltage	Operating Voltage Range	Rated Current	Rated Input Power	Speed	Maximum Air Flow		Maximum Air Pressure		Noise
型号	P/N 附加码	额定电压	工作电压范围	额定电流	额定输入功率	转速	最大风量		最大风压		噪音
PART.NO.	AY	VDC	VDC	Amp	Watt	R.P.M	M³/min	CFM	mmH2O	InH2O	dB-A
BA7525L12X		12	7.5~13.5	0.04	0.48	2000	0.163	5.77	3.65	0.143	31.70
BA7525M12X		12	7.5~13.5	0.10	1.20	2500	0.205	7.27	6.22	0.244	35.40
BA7525H12X		12	7.5~13.5	0.17	2.04	3000	0.257	9.11	10.75	0.423	40.50
BA7525HH12X		12	7.5~13.5	0.26	3.12	3500	0.301	10.6	15.75	0.620	44.30
BA7525VH12X		12	7.5~13.5	0.43	5.16	4000	0.347	12.2	22.71	0.894	47.70
BA7525HV12X		12	7.5~13.5	0.64	7.68	4500	0.393	13.9	30.97	1.219	51.70
BA7525L24X		24	18~26.5	0.02	0.48	2000	0.163	5.77	3.65	0.143	31.70
BA7525M24X		24	18~26.5	0.05	1.20	2500	0.205	7.27	6.22	0.244	35.40
BA7525H24X		24	18~26.5	0.09	2.16	3000	0.257	9.11	10.75	0.423	40.50
BA7525HH24X		24	18~26.5	0.13	3.12	3500	0.301	10.6	15.75	0.620	44.30
BA7525VH24X		24	18~26.5	0.22	5.28	4000	0.347	12.2	22.71	0.894	47.70
BA7525HV24X		24	18~26.5	0.32	7.68	4500	0.393	13.9	30.97	1.219	51.70



TKFAN®

UL US CE RoHS

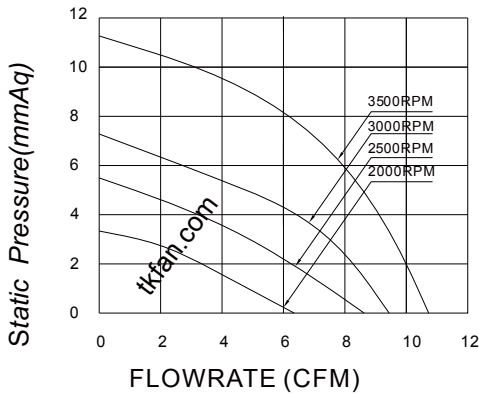
# DC Brushless Blower 75x75x30mm-A Type

版次Version 2017-4-12

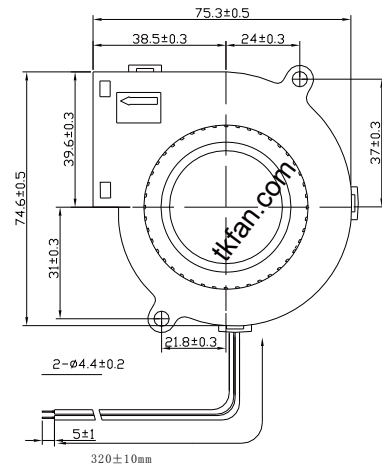


轴承结构：滚珠、含油、液压  
 Bearing: Ball、sleeve、HY  
 框外材质: 塑胶(等级:UL94V-0)  
 Frame:Plastic(Flammability:UL94V-0)  
 扇叶材质:塑胶:(等级:UL94V-0)  
 Impeller:Plastic:(Flammability:UL94V-0)  
 风扇单重:79g(Weight:79g)

## P@Q CURVE(AT RATEDVOLTAGE)



## DIMENSIONS DRAWING(unit:mm)



## 编码规则 Code Rule

例子 Example DCH12038H12B-DCH1701  
 DCH12038H12X-AY

Model No. is DCH12038H12X; Extro P/N code is AY  
 X means bearing type, can be S(sleeve bearing), can be B(ball bearing), can be Y(HY bearing), can be SU(sleeve with UL), can be BU(ball with UL), can be YU(HY with UL)  
 Y means special function code, it will be used for a certain parts no. or client.  
 产品型号 DCH12038H12X; 附加代码 AY. X是一个不确定值, 它代表了不同的轴承类型, S(含油轴承), B(滚珠轴承), Y(液压轴承), SU(含油轴承带UL), BU(滚珠轴承带UL), YU(液压轴承带UL)  
 Y是一个不确定的值, 它代表不同特殊风机功能, 由具体客户或者料号来确定

Model	P/N Code	Rated Voltage	Operating Voltage Range	Rated Current	Rated Input Power	Speed	Maximum Air Flow		Maximum Air Pressure		Noise
型号	P/N 附加码	额定电压	工作电压范围	额定电流	额定输入功率	转速	最大风量	最大风压			噪音
PART.NO.	AY	VDC	VDC	Amp	Watt	R.P.M	M³/min	CFM	mmH2O	InH2O	dB-A
BA7530L12X		12	7~13.5	0.16	1.92	2000	0.180	6.37	2.65	0.104	33.2
BA7530M12X		12	7~13.5	0.26	3.12	2500	0.251	8.87	5.53	0.218	37.5
BA7530H12X		12	7~13.5	0.34	4.08	3000	0.264	9.25	7.26	0.286	42.7
BA7530HH12X		12	7~13.5	0.46	5.52	3500	0.307	10.8	11.25	0.443	45.6
BA7530VH12X		12	7~13.5	0.6	7.2	4000	0.37	12.9	14.37	0.57	46.8
BA7530L24X		24	18~26.5	0.08	1.92	2000	0.180	6.37	2.65	0.104	33.2
BA7530M24X		24	18~26.5	0.13	3.12	2500	0.251	8.87	5.53	0.218	37.5
BA7530H24X		24	18~26.5	0.17	4.08	3000	0.264	9.25	7.26	0.286	42.7
BA7530HH24X		24	18~26.5	0.23	5.52	3500	0.307	10.8	11.25	0.443	45.6
BA7530VH24X		24	18~26.5	0.3	7.2	4000	0.37	12.9	14.37	0.57	46.8
BA7530L48X		48	36~54	0.04	1.92	2000	0.180	6.37	2.65	0.104	33.2
BA7530M48X		48	36~54	0.065	3.12	2500	0.251	8.87	5.53	0.218	37.5
BA7530H48X		48	36~54	0.085	4.08	3000	0.264	9.25	7.26	0.286	42.7
BA7530HH48X		48	36~54	0.115	5.52	3500	0.307	10.8	11.25	0.443	45.6
BA7530VH48X		48	36~54	0.15	7.2	4000	0.37	12.9	14.37	0.57	46.8



TKFAN®

UL US CE RoHS

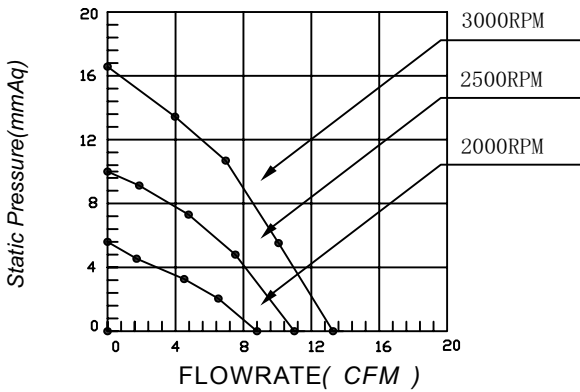
# DC Brushless Blower 75x75x30mm-B Type

版次 Version 2022-4-11

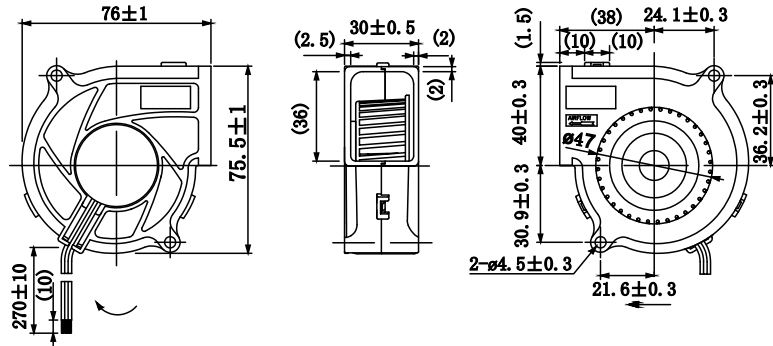
轴承结构：滚珠、含油、液压、其他  
 Bearing: Ball、sleeve、HY、other  
 框外材质: 塑料(等级:UL94V-0)  
 Frame:Plastic(Flammability:UL94V-0)  
 扇叶材质:塑胶:(等级:UL94V-0)  
 Impeller:Plastic:(Flammability:UL94V-0)  
 风扇单重94g(Weight:94g)



## P@Q CURVE(AT RATEDVOLTAGE)



## DIMENSIONS DRAWING(unit:mm)



UNIT: mm / (INCH)

## 编码规则 Code Rule

例子 Example DCH12038H12B-DAH1701  
 DCH12038H12X-AY

Model No. is DCH12038H12X; Extro P/N code is AY  
 X means bearing type, can be S(sleeve bearing), can be B(ball bearing), can be Y(HY bearing), can be SU(sleeve with UL), can be BU(ball with UL), can be YU(HY with UL)  
 Y means special function code, it will be used for a certain parts no. or client.  
 产品型号 DCH12038H12X;附加代码 AY. X是一个不确定值,它代表了不同的轴承类型,  
 S(含油轴承),B(滚珠轴承),Y(液压轴承),SU(含油轴承带UL),BU(滚珠轴承带UL),YU(液压轴承带UL)  
 Y是一个不确定的值,它代表不同特殊风机功能,由具体客户或者料号来确定

Model	P/N Code	Rated Voltage	Operating Voltage Range	Rated Current	Rated Input Power	Speed	Maximum Air Flow		Maximum Air Pressure		Noise
型号	P/N 附加码	额定电压	工作电压范围	额定电流	额定输入功率	转速	最大风量		最大风压		噪音
PART.NO.	BY	VDC	VDC	Amp	Watt	R.P.M	M³/min	CFM	mmH2O	InH2O	dB-A
BA7530L12X		12	7~13.5	0.14	1.68	2100	0.25	8.8	5.99	0.236	40.3
BA7530M12X		12	7~13.5	0.27	3.24	2600	0.31	10.9	10.01	0.394	42.1
BA7530H12X		12	7~13.5	0.37	4.44	3000	0.36	12.7	15.49	0.610	43.0
BA7530L24X		24	18~26.5	0.10	2.4	2100	0.25	8.8	5.99	0.236	40.3
BA7530M24X		24	18~26.5	0.14	3.36	2600	0.31	10.9	10.01	0.394	42.1
BA7530H24X		24	18~26.5	0.17	4.08	3000	0.36	12.7	15.49	0.610	43.0



TKFAN®

UL US CE RoHS

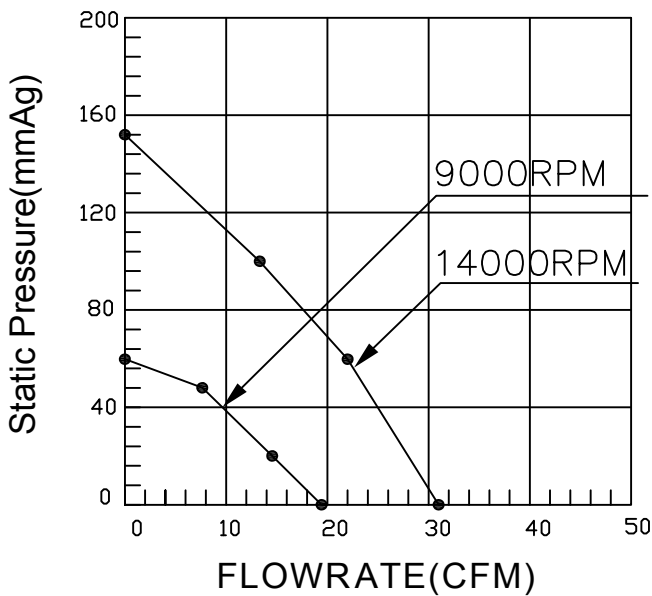
# DC Brushless Blower 97X25mm-BType

版次Version 2022-3-11

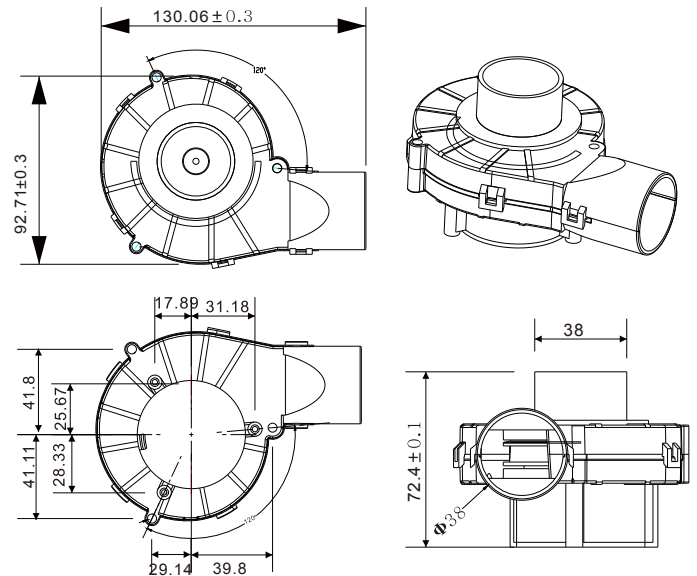
轴承结构：双滚珠  
 Bearing: Two ball  
 框外材质: 塑料(等级:UL94V-0)  
 Frame:Plastic(Flammability:UL94V-0)  
 扇叶材质:塑胶:(等级:UL94V-0)  
 Impeller:Plastic:(Flammability:UL94V-0)  
 风扇单重:214.7g(Weight:214.7g)



## P@Q CURVE(AT RATEDVOLTAGE)



## DIMENSIONS DRAWING(unit:mm)



## 编码规则 Code Rule

例子 Example DCH12038H12B-A1701  
 DCH12038H12X-AY

Model No. is DCH12038H12X; Extro P/N code is AY  
 X means bearing type, can be S(sleeve bearing), can be B(ball bearing), can be Y(HY bearing), can be SU(sleeve with UL), can be BU(ball with UL), can be YU(HY with UL)  
 Y means special function code, it will be used for a certain parts no. or client.  
 产品型号 DCH12038H12X; 附加代码 AY. X是一个不确定值, 它代表了不同的轴承类型,  
 S(含油轴承), B(滚珠轴承), Y(液压轴承), SU(含油轴承带UL), BU(滚珠轴承带UL), YU(液压轴承带UL)  
 Y是一个不确定的值, 它代表不同特殊风机功能, 由具体客户或者料号来确定

Model	P/N Code	Rated Voltage	Operating Voltage Range	Rated Current	Rated Input Power	Speed	Maximum Air Flow		Maximum Air Pressure		Noise
型号	P/N 附加码	额定电压	工作电压范围	额定电流	额定输入功率	转速	最大风量		最大风压		噪音
PART.NO.	BY	VDC	VDC	Amp	Watt	R.P.M	M³/min	CFM	mmH2O	InH2O	dB-A
BA9725H12B		12	7.5-13.5	0.60	7.2	9000	0.56	19.7	58.2	2.30	59.9
BA9725LH12B		12	7.5-13.5	1.50	18	14000	0.88	30.9	153.2	6.03	68.6
BA9725H24B		24	18-26.5	0.30	7.2	9000	0.56	19.7	58.2	2.30	59.9
BA9725LH24B		24	18-26.5	0.75	18	14000	0.88	30.9	153.2	6.03	68.6



TKFAN®

UL US CE RoHS

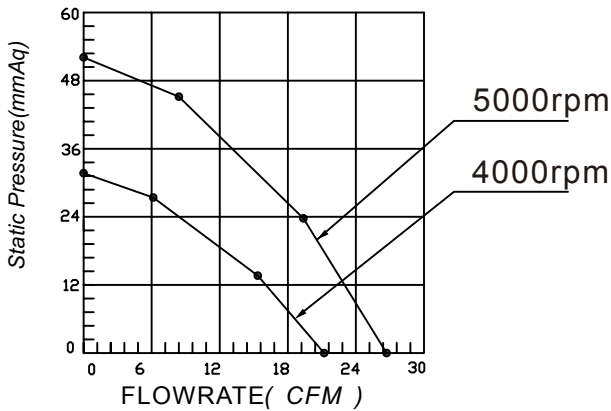
# DC Brushless Blower 97x97x25mm-C Type

版次Version 2022-1-21

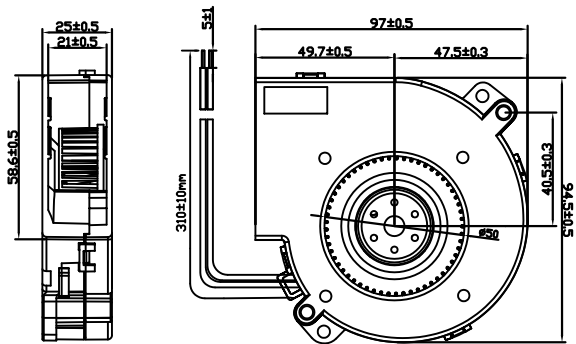
轴承结构：滚珠  
 Bearing: ball  
 框外材质: 塑料(等级:UL94V-0)  
 Frame:Plastic(Flammability:UL94V-0)  
 扇叶材质:塑胶:(等级:UL94V-0)  
 Impeller:Plastic:(Flammability:UL94V-0)  
 风扇单重:125g(Weight:125g)



## P@Q CURVE(AT RATEDVOLTAGE)



## DIMENSIONS DRAWING(unit:mm)



UNIT: mm / (INCH)

## 编码规则 Code Rule

例子 Example DCH12038H12B-DAH1701  
 DCH12038H12X-AY

Model No. is DCH12038H12X; Extro P/N code is AY  
 X means bearing type, can be S(sleeve bearing), can be B(ball bearing), can be Y(HY bearing), can be SU(sleeve with UL), can be BU(ball with UL), can be YU(HY with UL)  
 Y means special function code, it will be used for a certain parts no. or client.  
 产品型号 DCH12038H12X;附加代码 AY. X是一个不确定值,它代表了不同的轴承类型,  
 S(含油轴承),B(滚珠轴承),Y(液压轴承),SU(含油轴承带UL),BU(滚珠轴承带UL),YU(液压轴承带UL)  
 Y是一个不确定的值,它代表不同特殊风机功能,由具体客户或者料号来确定

Model	P/N Code	Rated Voltage	Operating Voltage Range	Rated Current	Rated Input Power	Speed	Maximum Air Flow		Maximum Air Pressure		Noise
型号	P/N 附加码	额定电压	工作电压范	额定电流	额定输入功率	转速	最大风量		最大风压		噪音
PART.NO.	CY	VDC	VDC	Amp	Watt	R.P.M	M³/min	CFM	mmH2O	InH2O	dB-A
BA9725H12X		12	7.5~13.5	0.51	6.12	4000	0.60	21.2	31.7	1.25	52.5
BA9725HH12X		12	7.5~13.5	1.05	12.6	5000	0.76	26.7	52.1	2.05	57.3
BA9725H24X		24	18~26.5	0.26	6.12	4000	0.60	21.2	31.7	1.25	52.5
BA9725HH24X		24	18~26.5	0.53	12.6	5000	0.76	26.7	52.1	2.05	57.3
BA9725H48X		48	36~54	0.13	6.12	4000	0.60	21.2	31.7	1.25	52.5
BA9725HH48X		48	36~54	0.27	12.6	5000	0.76	26.7	52.1	2.05	57.3



TKFAN®

UL US CE RoHS

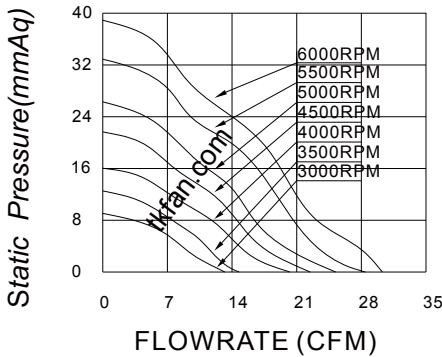
# DC Brushless Blower 97x97x33mm-A Type

版次Version 2017-4-12

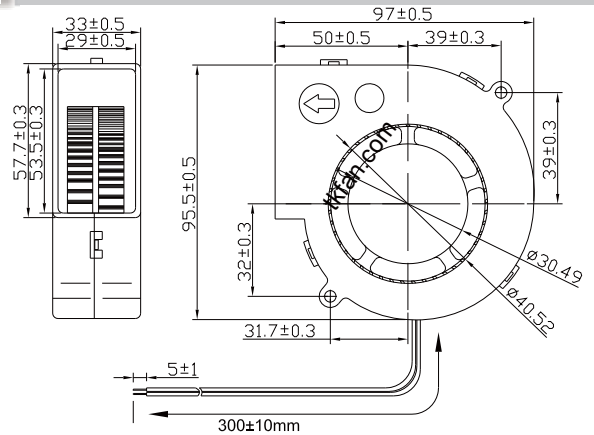
轴承结构：滚珠、含油、液压  
 Bearing: Ball、sleeve、HY  
 框外材质: 塑胶(等级:UL94V-0)  
 Frame:Plastic(Flammability:UL94V-0)  
 扇叶材质:塑胶:(等级:UL94V-0)  
 Impeller:Plastic:(Flammability:UL94V-0)  
 风扇单重:170g(Weight:170g)



## P@Q CURVE(AT RATEDVOLTAGE)



## DIMENSIONS DRAWING(unit:mm)



## 编码规则 Code Rule

例子 Example DCH12038H12B-DCH1701  
 DCH12038H12X-AY

Model No. is DCH12038H12X; Extro P/N code is AY  
 X means bearing type, can be S(sleeve bearing), can be B(ball bearing), can be Y(HY bearing), can be SU(sleeve with UL), can be BU(ball with UL), can be YU(HY with UL)  
 Y means special function code, it will be used for a certain parts no. or client.  
 产品型号 DCH12038H12X;附加代码 AY. X是一个不确定值,它代表了不同的轴承类型,  
 S(含油轴承),B(滚珠轴承),Y(液压轴承),SU(含油轴承带UL),BU(滚珠轴承带UL),YU(液压轴承带UL)  
 Y是一个不确定的值,它代表不同特殊风机功能,由具体客户或者料号来确定

Model	P/N Code	Rated Voltage	Operating Voltage Range	Rated Current	Rated Input Power	Speed	Maximum Air Flow		Maximum Air Pressure		Noise
							M³/min	CFM	mmH2O	InH2O	
型号	P/N 附加码	额定电压	工作电压范围	额定电流	额定输入功率	转速	最大风量		最大风压		噪音
PART.NO.	AY	VDC	VDC	Amp	Watt	R.P.M	M³/min	CFM	mmH2O	InH2O	dB-A
BA9733L12X		12	7~13.5	0.36	4.32	3000	0.363	12.8	8.99	0.354	44.8
BA9733M12X		12	7~13.5	0.5	6	3500	0.436	15.4	12.40	0.488	47.2
BA9733H12X		12	7~13.5	0.38	8.16	4000	0.568	20.0	16.17	0.637	50.9
BA9733HH12X		12	7~13.5	0.83	10	4500	0.637	22.5	21.43	0.844	52.5
BA9733VH12X		12	7~13.5	1	12	5000	0.715	25.2	26.25	1.033	55.3
BA9733HV12X		12	7~13.5	1.2	14.4	5500	0.802	28.3	33.15	1.305	57.1
BA9733L24X		24	18~26.5	0.18	4.32	3000	0.363	12.8	8.99	0.354	44.8
BA9733M24X		24	18~26.5	0.25	6	3500	0.436	15.4	12.40	0.488	47.2
BA9733H24X		24	18~26.5	0.34	8.16	4000	0.568	20.0	16.17	0.637	50.9
BA9733HH24X		24	18~26.5	0.42	10	4500	0.637	22.5	21.43	0.844	52.5
BA9733VH24X		24	18~26.5	0.5	12	5000	0.715	25.2	26.25	1.033	55.3
BA9733HV24X		24	18~26.5	0.6	14.4	5500	0.802	28.3	33.15	1.305	57.1
BA9733L48X		48	36~54	0.09	4.32	3000	0.363	12.8	8.99	0.354	44.8
BA9733M48X		48	36~54	0.13	6	3500	0.436	15.4	12.40	0.488	47.2
BA9733H48X		48	36~54	0.17	8.16	4000	0.568	20.0	16.17	0.637	50.9
BA9733HH48X	48	36~54	0.21	10	4500	0.637	22.5	21.43	0.844	52.5	
BA9733VH48X	48	36~54	0.25	12	5000	0.715	25.2	26.25	1.033	55.3	



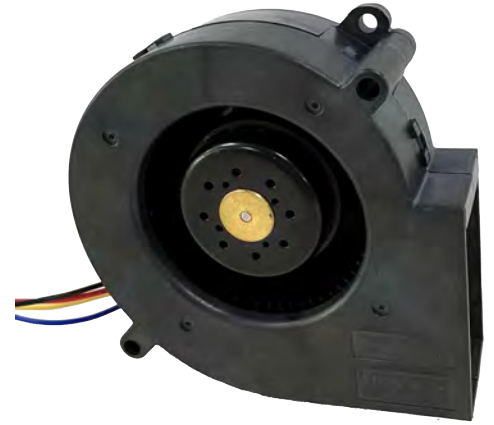
TKFAN®

UL US CE RoHS

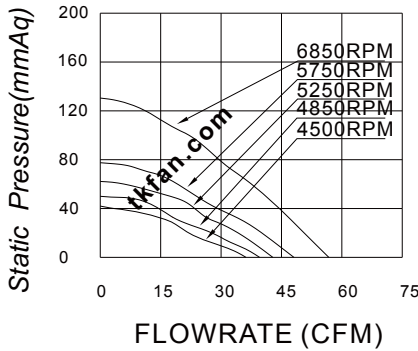
# DC Brushless Blower 97x97x33mm-B Type

版次Version 2019-3-8

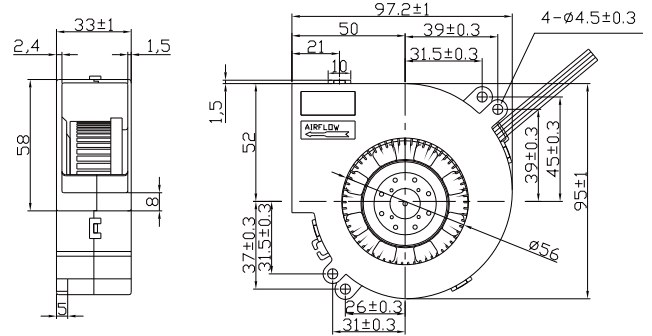
轴承结构：滚珠  
 Bearing: Ball  
 框外材质: 塑胶(等级:UL94V-0)  
 Frame:Plastic(Flammability:UL94V-0)  
 扇叶材质:塑胶:(等级:UL94V-0)  
 Impeller:Plastic:(Flammability:UL94V-0)  
 风扇单重:200g(Weight:200g)



## P@Q CURVE(AT RATEDVOLTAGE)



## DIMENSIONS DRAWING(unit:mm)



## 编码规则 Code Rule

例子 Example DCH12038H12B-DCH1701  
 DCH12038H12X-AY

Model No. is DCH12038H12X; Extro P/N code is AY

X means bearing type, can be S(sleeve bearing), can be B(ball bearing), can be Y(HY bearing), can be SU(sleeve with UL), can be BU(ball with UL), can be YU(HY with UL)

Y means special function code, it will be used for a certain parts no. or client.

产品型号 DCH12038H12X;附加代码 AY. X是一个不确定值,它代表了不同的轴承类型,

S(含油轴承),B(滚珠轴承),Y(液压轴承),SU(含油轴承带UL),BU(滚珠轴承带UL),YU(液压轴承带UL)

Y是一个不确定的值,它代表不同特殊风机功能,由具体客户或者料号来确定

Model	P/N Code	Rated Voltage	Operating Voltage Range	Rated Current	Rated Input Power	Speed	Maximum Air Flow		Maximum Air Pressure		Noise
型号	P/N 附加码	额定电压	工作电压范围	额定电流	额定输入功率	转速	最大风量		最大风压		噪音
PART.NO.	BY	VDC	VDC	Amp	Watt	R.P.M	M³/min	CFM	mmH2O	InH2O	dB-A
BA9733VH12X		12	7~13.8	3.4	40.8	6850	1.61	56.8	130.49	5.14	66
BA9733HH12X		12	7~13.8	1.8	21.6	5750	1.34	47.3	77.47	3.052	61
BA9733H12X		12	7~13.8	1.4	16.8	5250	1.22	43.1	62.18	2.45	59
BA9733M12X		12	7~13.8	1.1	13.2	4850	1.11	39.2	49.95	1.968	57
BA9733L12X		12	7~13.8	0.9	10.8	4500	1.04	36.7	41.79	1.647	56
BA9733VH24X		24	21.6~26.4	1.62	38.88	6850	1.61	56.8	130.49	5.14	66
BA9733HH24X		24	12~26.4	0.83	19.9	5750	1.34	47.3	77.47	3.052	61
BA9733H24X		24	12~26.4	0.70	16.8	5250	1.22	43.1	62.18	2.45	59
BA9733M24X		24	12~26.4	0.55	13.2	4850	1.11	39.2	49.95	1.968	57
BA9733L24X		24	12~26.4	0.45	10.8	4500	1.04	36.7	41.79	1.647	56



TKFAN®

UL US CE RoHS

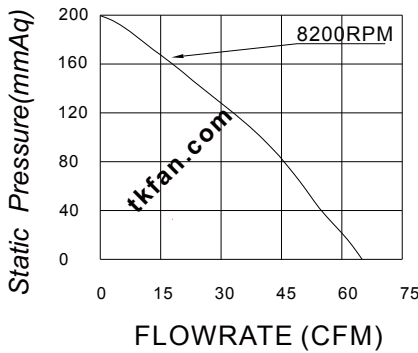
# DC Brushless Blower 97x97x33mm-B Type

版次Version 2019-3-8

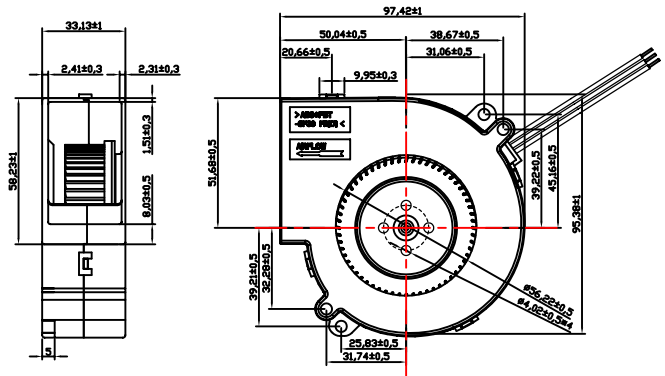
轴承结构：滚珠  
 Bearing: Ball  
 框外材质: 塑胶(等级:UL94V-0)  
 Frame: Plastic(Flammability:UL94V-0)  
 扇叶材质: 塑胶:(等级:UL94V-0)  
 Impeller: Plastic:(Flammability:UL94V-0)  
 风扇单重:200g(Weight:200g)



## P@Q CURVE(AT RATEDVOLTAGE)



## DIMENSIONS DRAWING(unit:mm)



## 编码规则 Code Rule

例子 Example DCH12038H12B-DCH1701  
 DCH12038H12X-AY

Model No. is DCH12038H12X; Extro P/N code is AY

X means bearing type, can be S(sleeve bearing), can be B(ball bearing), can be Y(HY bearing), can be SU(sleeve with UL), can be BU(ball with UL), can be YU(HY with UL)

Y means special function code, it will be used for a certain parts no. or client.

产品型号 DCH12038H12X;附加代码 AY. X是一个不确定值,它代表了不同的轴承类型,

S(含油轴承),B(滚珠轴承),Y(液压轴承),SU(含油轴承带UL),BU(滚珠轴承带UL),YU(液压轴承带UL)

Y是一个不确定的值,它代表不同特殊风机功能,由具体客户或者料号来确定

Model	P/N Code	Rated Voltage	Operating Voltage Range	Rated Current	Rated Input Power	Speed	Maximum Air Flow		Maximum Air Pressure		Noise
型号	P/N 附加码	额定电压	工作电压范围	额定电流	额定输入功率	转速	M <sup>3</sup> /min	CFM	mmH2O	InH2O	噪音
PART.NO.	BY	VDC	VDC	Amp	Watt	R.P.M	M <sup>3</sup> /min	CFM	mmH2O	InH2O	dB-A
BA9733HV12X		12	10.8~13.2	6.2	74.4	8200	1.85	65.3	198.77	7.83	69
BA9733HV24X		24	21.6~26.4	3.1	74.4	8200	1.85	65.3	198.77	7.83	69



TKFAN®

UL US CE RoHS

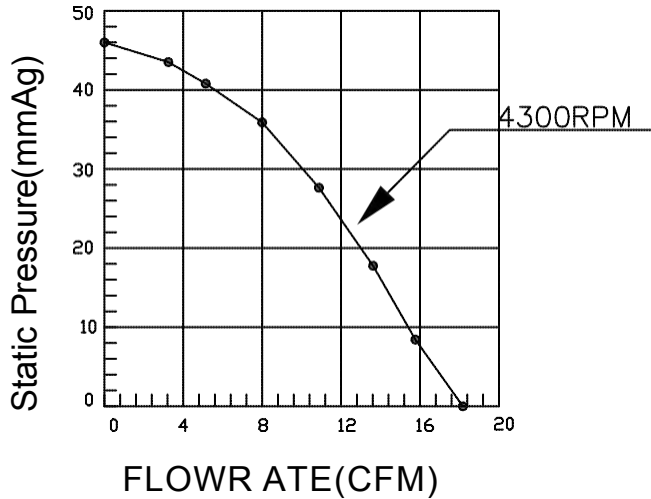
# DC Brushless Blower 120x120x25mm-A Type

版次 Version 2021-10-9

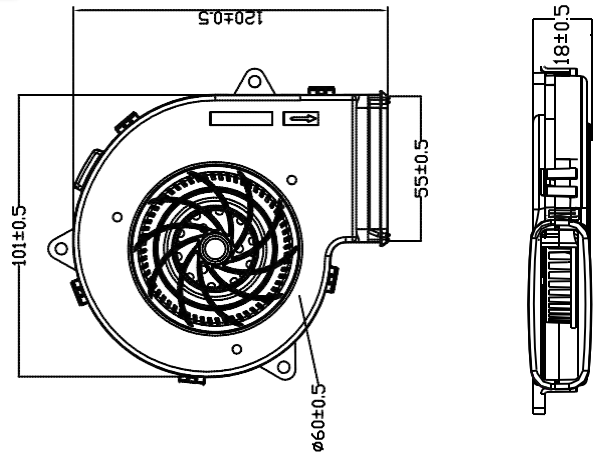
轴承结构:滚珠、含油、液压.  
 Bearing: Ball、sleeve、HY  
 框外材质:塑胶(等级:UL94V-0)  
 Frame:Plastic(Flammability:UL94V-0)  
 扇叶材质:塑胶:(等级:UL94V-0)  
 Impeller:Plastic:(Flammability:UL94V-0)  
 风扇单重:128g(Weight:128g)



## P@Q CURVE(AT RATEDVOLTAGE)



## DIMENSIONS DRAWING(unit:mm)



## 编码规则 Code Rule

例子 Example DCH12038H12B-A1701  
 DCH12038H12X-AY

Model No. is DCH12038H12X; Extro P/N code is AY  
 X means bearing type,can be S(sleeve bearing),can be B(ball bearing),can be Y(HY bearing),can be SU(sleeve with UL),can be BU(ball with UL),can be YU(HY with UL)  
 Y means special function code,it will be used for a certain parts no. or client.  
 产品型号 DCH12038H12X ;附加代码 AY. X 是一个不确定值,它代表了不同的轴承类型,  
 S(含油轴承),B(滚珠轴承),Y(液压轴承),SU(含油轴承带 UL),BU(滚珠轴承带 UL),YU(液压轴承带 UL)  
 Y 是一个不确定的值,它代表不同特殊风机功能,由具体客户或者料号来确定

Model	P/N Code	Rated Voltage	Operating Voltage Range	Rated Current	Rated Input Power	Speed	Maximum Air Flow		Maximum Air Pressure		Noise
型号	P/N 附加码	额定电压	工作电压范围	额定电流	额定输入功率	转速	最大风量		最大风压		噪音
PART.NO.	AY	VDC	VDC	Amp	Watt	R.P.M	M³/min	CFM	mmH2O	InH2O	dB-A
BA12025H05X		5	3~6	1.8	9.0	4300	0.515	18.2	48.6	1.91	49.7
BA12025H12X		12	7~13.5	0.75	9.0	4300	0.515	18.2	48.6	1.91	49.7
BA12025H24X		24	18~26.5	0.375	9.0	4300	0.515	18.2	48.6	1.91	49.7



TKFAN®

C<sub>RU</sub> US CE RoHS

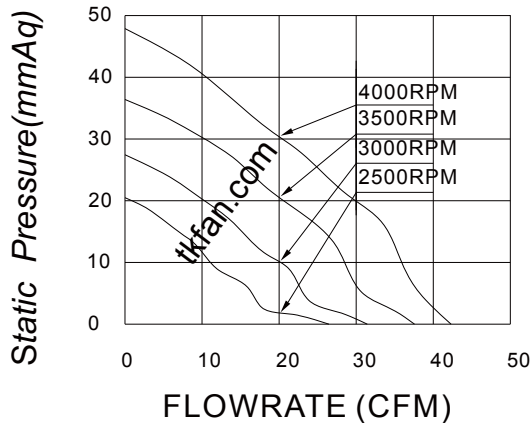
# DC Brushless Blower 120x120x32mm-A Type

版次Version 2017-4-12

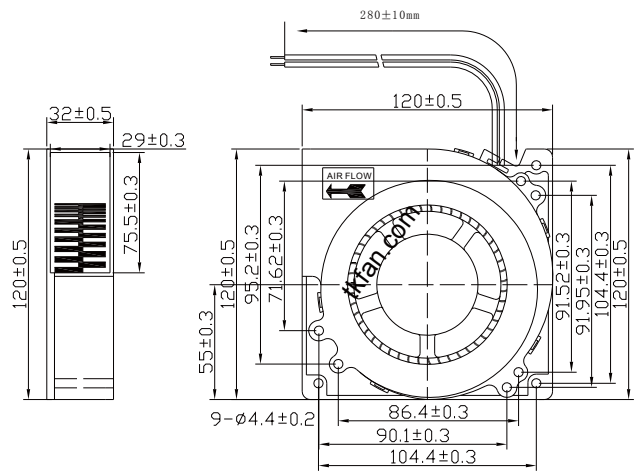


轴承结构：滚珠、含油、液压  
 Bearing: Ball、sleeve、HY  
 框外材质: 塑胶(等级:UL94V-0)  
 Frame:Plastic(Flammability:UL94V-0)  
 扇叶材质:塑胶:(等级:UL94V-0)  
 Impeller:Plastic:(Flammability:UL94V-0)  
 风扇单重:220g(Weight:220g)

## P@Q CURVE(AT RATEDVOLTAGE)



## DIMENSIONS DRAWING(unit:mm)



## 编码规则 Code Rule

例子 Example DCH12038H12B-DCH1701  
 DCH12038H12X-AY

Model No. is DCH12038H12X; Extro P/N code is AY

X means bearing type, can be S(sleeve bearing), can be B(ball bearing), can be Y(HY bearing), can be SU(sleeve with UL), can be BU(ball with UL), can be YU(HY with UL)

Y means special function code, it will be used for a certain parts no. or client.

产品型号 DCH12038H12X;附加代码 AY. X是一个不确定值,它代表了不同的轴承类型,

S(含油轴承),B(滚珠轴承),Y(液压轴承),SU(含油轴承带UL),BU(滚珠轴承带UL),YU(液压轴承带UL)

Y是一个不确定的值,它代表不同特殊风机功能,由具体客户或者料号来确定

Model	P/N Code	Rated Voltage	Operating Voltage Range	Rated Current	Rated Input Power	Speed	Maximum Air Flow		Maximum Air Pressure		Noise
型号	P/N 附加码	额定电压	工作电压范围	额定电流	额定输入功率	转速	最大风量		最大风压		噪音
PART.NO.	AY	VDC	VDC	Amp	Watt	R.P.M	M <sup>3</sup> /min	CFM	mmH2O	InH2O	dB-A
BA12032L12X		12	7~13.5	0.5	6	2500	0.751	26.5	20.25	0.797	48.2
BA12032M12X		12	7~13.5	1.1	13.2	3000	0.905	31.9	27.47	1.081	51.9
BA12032H12X		12	7~13.5	1.7	20.1	3500	1.046	36.9	35.92	1.414	55.6
BA12032HH12X		12	7~13.5	2.2	26.4	4000	1.189	41.9	48.47	1.908	59.9
BA12032L24X		24	18~26.5	0.25	6	2500	0.751	26.5	20.25	0.797	48.2
BA12032M24X		24	18~26.5	0.55	13.2	3000	0.905	31.9	27.47	1.081	51.9
BA12032H24X		24	18~26.5	0.84	20.1	3500	1.046	36.9	35.92	1.414	55.6
BA12032HH24X		24	18~26.5	1.1	26.4	4000	1.189	41.9	48.47	1.908	59.9
BA12032L48X		48	36~54	0.13	6	2500	0.751	26.5	20.25	0.797	48.2
BA12032M48X		48	36~54	0.28	13.2	3000	0.905	31.9	27.47	1.081	51.9
BA12032H48X		48	36~54	0.42	20.1	3500	1.046	36.9	35.92	1.414	55.6
BA12032HH48X		48	36~54	0.55	26.4	4000	1.189	41.9	48.47	1.908	59.9



TKFAN®

UL US CE RoHS

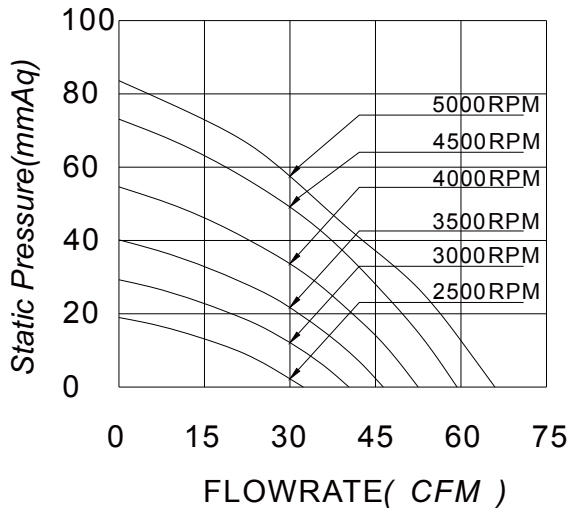
# DC Brushless Blower 120x120x32mm-B Type

版次Version 2020-6-23

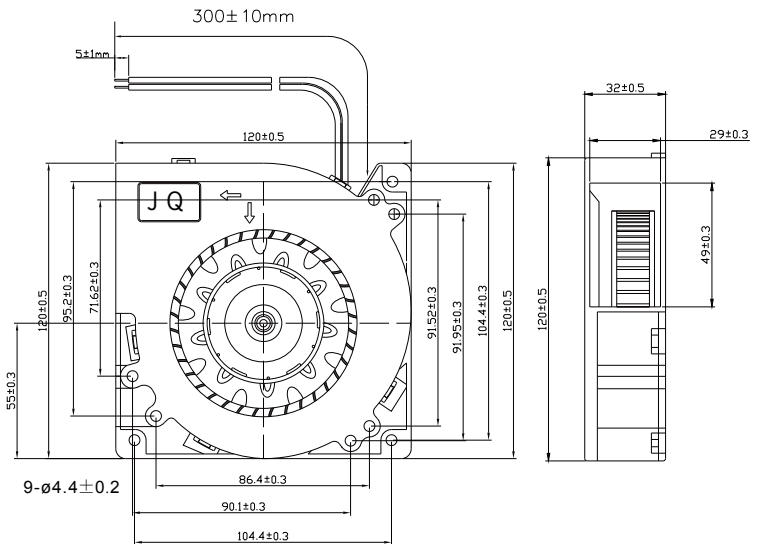
轴承结构：滚珠、含油、液压  
 Bearing: Ball、sleeve、HY  
 框外材质: 塑胶(等级:UL94V-0)  
 Frame:Plastic(Flammability:UL94V-0)  
 扇叶材质:塑胶:(等级:UL94V-0)  
 Impeller:Plastic:(Flammability:UL94V-0)  
 风扇单重:284g(Weight:284g)



## P@Q CURVE(AT RATEDVOLTAGE)



## DIMENSIONS DRAWING(unit:mm)



## 编码规则 Code Rule

例子 Example DCH12038H12B-DCH1701  
 DCH12038H12X-AY

Model No. is DCH12038H12X; Extro P/N code is AY

X means bearing type, can be S(sleeve bearing), can be B(ball bearing), can be Y(HY bearing), can be SU(sleeve with UL), can be BU(ball with UL), can be YU(HY with UL)

Y means special function code, it will be used for a certain parts no. or client.

产品型号 DCH12038H12X;附加代码 AY. X是一个不确定值,它代表了不同的轴承类型,

S(含油轴承),B(滚珠轴承),Y(液压轴承),SU(含油轴承带UL),BU(滚珠轴承带UL),YU(液压轴承带UL)

Y是一个不确定的值,它代表不同特殊风机功能,由具体客户或者料号来确定

Model	P/N Code	Rated Voltage	Operating Voltage Range	Rated Current	Rated Input Power	Speed	Maximum Air Flow	Maximum Air Pressure	Noise		
型号	P/N 附加码	额定电压	工作电压范围	额定电流	额定输入功率	转速	最大风量	最大风压	噪音		
PART.NO.		VDC	VDC	Amp	Watt	R.P.M	M³/min	CFM	mmH2O	InH2O	dB-A
BA12032L12X	BY	12	7.5~13.5	0.8	9.6	2500	1.143	32.35	18.98	0.747	50.4
BA12032M12X		12	7.5~13.5	1.4	16.8	3000	1.426	40.35	29.28	1.153	52.3
BA12032H12X		12	7.5~13.5	1.8	21.6	3500	1.639	46.38	40.17	1.581	58.3
BA12032HH12X		12	7.5~13.5	2.4	28.8	4000	1.853	52.44	54.63	2.151	59.0
BA12032VH12X		12	7.5~13.5	3.0	36	4500	2.096	59.32	73.11	2.878	62.2
BA12032HV12X		12	7.5~13.5	3.6	43.2	5000	2.331	65.96	83.60	3.291	64.7
BA12032L24X		24	18~26.5	0.4	9.6	2500	1.143	32.35	18.98	0.747	50.4
BA12032M24X		24	18~26.5	0.7	16.8	3000	1.426	40.35	29.28	1.153	52.3
BA12032H24X		24	18~26.5	0.9	21.6	3500	1.639	46.38	40.17	1.581	58.3
BA12032HH24X		24	18~26.5	1.2	28.8	4000	1.853	52.44	54.63	2.151	59.0
BA12032VH24X		24	18~26.5	1.5	36	4500	2.096	59.32	73.11	2.878	62.2
BA12032HV24X		24	18~26.5	1.8	43.2	5000	2.331	65.96	83.60	3.291	64.7
BA12032L48X		48	36~54	0.2	9.6	2500	1.143	32.35	18.98	0.747	50.4

Model	P/N Code	Rated Voltage	Operating Voltage Range	Rated Current	Rated Input Power	Speed	Maximum Air Flow		Maximum Air Pressure		Noise
型号	P/N 附加码	额定电压	工作电压范围	额定电流	额定输入功率	转速	最大风量		最大风压		噪音
PART.NO.	BY	VDC	VDC	Amp	Watt	R.P.M	M³/min	CFM	mmH2O	InH2O	dB-A
BA12032M48X		48	36~54	0.35	16.8	3000	1.426	40.35	29.28	1.153	52.3
BA12032H48X		48	36~54	0.45	21.6	3500	1.639	46.38	40.17	1.581	58.3
BA12032HH48X		48	36~54	0.6	28.8	4000	1.853	52.44	54.63	2.151	59.0
BA12032VH48X		48	36~54	0.75	36	4500	2.096	59.32	73.11	2.878	62.2
BA12032HV48X		48	36~54	0.9	43.2	5000	2.331	65.96	83.60	3.291	64.7



TKFAN®

UL US CE RoHS

# DC Brushless Blower 120x120x32mm-C Type

版次 Version 2023-3-14



轴承结构：滚珠

Bearing: Ball

框外材质: 蜗壳: 塑胶; 底板: 铁板(等级: UL94V-0)

Frame: Volute: plastic(Flammability: UL94V-0)

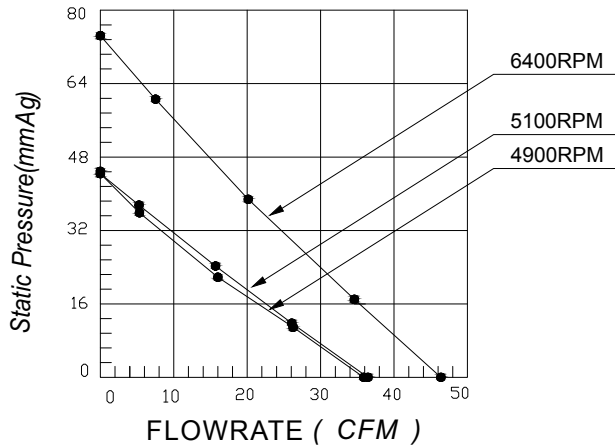
Base plate: iron plate

扇叶材质: 塑胶:(等级: UL94V-0)

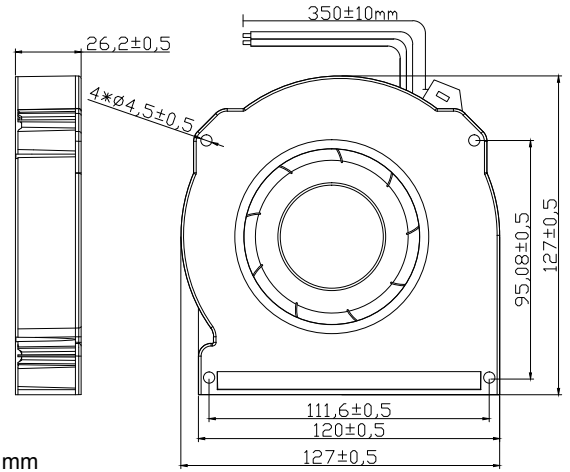
Impeller: Plastic:(Flammability: UL94V-0)

风扇单重: 270g(Weight: 270g)

## P@Q CURVE(AT RATED VOLTAGE)



## DIMENSIONS DRAWING(unit:mm)



## 编码规则 Code Rule

例子 Example DCH12038H12B-DAH1701  
DCH12038H12X-AY

Model No. is DCH12038H12X; Extro P/N code is AY

X means bearing type, can be S(sleeve bearing), can be B(ball bearing), can be Y(HY bearing), can be SU(sleeve with UL), can be BU(ball with UL), can be YU(HY with UL)

Y means special function code, it will be used for certain parts no. or client.

产品型号 DCH12038H12X; 附加代码 AY. X是一个不确定值, 它代表了不同的轴承类型,

S(含油轴承), B(滚珠轴承), Y(液压轴承), SU(含油轴承带UL), BU(滚珠轴承带UL), YU(液压轴承带UL)

Y是一个不确定的值, 它代表不同特殊风机功能, 由具体客户或者料号来确定

Model	P/N Code	Rated Voltage	Operating Voltage Range	Rated Current	Rated Input Power	Speed	Maximum Air Flow		Maximum Air Pressure		Noise
型号	P/N 附加码	额定电压	工作电压范围	额定电流	额定输入功率	转速	最大风量		最大风压		噪音
PART.NO.	CY	VDC	VDC	Amp	Watt	R.P.M	M³/min	CFM	mmH2O	InH2O	dB-A
BA12032H12X		12	7.5~13.5	0.6	7.2	4800	0.99	34.8	39.8	1.57	62.5
BA12032HH12X		12	7.5~13.5	0.8	9.6	5100	1.03	36.4	44.3	1.75	64.0
BA12032HHV12X		12	7.5~13.5	1.56	18.7	6400	1.31	46.3	74.3	2.93	69.2
BA12032H24X		24	18~26.5	0.3	7.2	4800	0.99	34.8	39.8	1.57	62.5
BA12032HH24X		24	18~26.5	0.4	9.6	5100	1.03	36.4	44.3	1.75	64.0
BA12032HHV24X		24	18~26.5	0.78	18.7	6400	1.31	46.3	74.3	2.93	69.2
BA12032H48X		48	36~54	0.15	7.2	4800	0.99	34.8	39.8	1.57	62.5
BA12032HH48X		48	36~54	0.2	9.6	5100	1.03	36.4	44.3	1.75	64.0
BA12032HHV48X		48	36~54	0.39	18.7	6400	1.31	46.3	74.3	2.93	69.2



TKFAN®

UL US CE RoHS

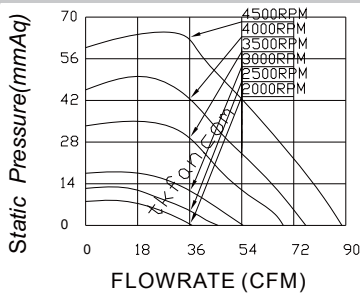
# DC Brushless Blower 140x140x40mm-A Type

版次Version 2017-4-12

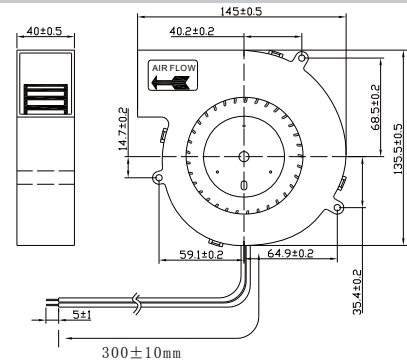
轴承结构：滚珠、含油、液压  
 Bearing: Ball、sleeve、HY  
 框外材质: 塑胶(等级:UL94V-0)  
 Frame:Plastic(Flammability:UL94V-0)  
 扇叶材质:塑胶:(等级:UL94V-0)  
 Impeller:Plastic:(Flammability:UL94V-0)  
 风扇单重:353g(Weight:353g)



## P@Q CURVE(AT RATEDVOLTAGE)



## DIMENSIONS DRAWING(unit:mm)



## 编码规则 Code Rule

例子 Example DCH12038H12B-DCH1701  
 DCH12038H12X-AY

Model No. is DCH12038H12X; Extro P/N code is AY  
 X means bearing type, can be S(sleeve bearing), can be B(ball bearing), can be Y(HY bearing), can be SU(sleeve with UL), can be BU(ball with UL), can be YU(HY with UL)  
 Y means special function code, it will be used for a certain parts no. or client.  
 产品型号 DCH12038H12X;附加代码 AY. X是一个不确定值,它代表了不同的轴承类型,  
 S(含油轴承),B(滚珠轴承),Y(液压轴承),SU(含油轴承带UL),BU(滚珠轴承带UL),YU(液压轴承带UL)  
 Y是一个不确定的值,它代表不同特殊风机功能,由具体客户或者料号来确定

Model	P/N Code	Rated Voltage	Operating Voltage Range	Rated Current	Rated Input Power	Speed	Maximum Air Flow		Maximum Air Pressure		Noise
型号	P/N 附加码	额定电压	工作电压范围	额定电流	额定输入功率	转速	最大风量		最大风压		噪音
PART.NO.		VDC	VDC	Amp	Watt	R.P.M	M³/min	CFM	mmH2O	InH2O	dB-A
BA14040L12X	AY	12	7~13.5	0.5	6	2000	1.058	37.3	8.20	0.323	56.0
BA14040M12X		12	7~13.5	1.4	16.8	2500	1.294	45.7	12.19	0.480	64.2
BA14040H12X		12	7~13.5	2.3	27.6	3000	1.549	54.7	17.74	0.698	65.7
BA14040HH12X		12	7~13.5	3.2	38.4	3500	1.926	68.0	33.75	1.329	68.9
BA14040VH12X		12	7~13.5	4.2	50.4	4000	2.164	76.4	45.48	1.791	70.0
BA14040HV12X		12	7~13.5	5.1	61.2	4500	2.489	87.9	59.15	2.329	71.9
BA14040L24X		24	18~26.5	0.25	6	2000	1.058	37.3	8.20	0.323	56.0
BA14040M24X		24	18~26.5	0.7	16.8	2500	1.294	45.7	12.19	0.480	64.2
BA14040H24X		24	18~26.5	1.15	27.6	3000	1.549	54.7	17.74	0.698	65.7
BA14040HH24X		24	18~26.5	1.6	38.4	3500	1.926	68.0	33.75	1.329	68.9
BA14040VH24X		24	18~26.5	2.1	50.4	4000	2.164	76.4	45.48	1.791	70.0
BA14040HV24X		24	18~26.5	2.55	61.2	4500	2.489	87.9	59.15	2.329	71.9
BA14040L48X		48	36~54	0.125	6	2000	1.058	37.3	8.20	0.323	56.0
BA14040M48X		48	36~54	0.35	16.8	2500	1.294	45.7	12.19	0.480	64.2
BA14040H48X		48	36~54	0.575	27.6	3000	1.549	54.7	17.74	0.698	65.7
BA14040HH48X		48	36~54	0.8	38.4	3500	1.926	68.0	33.75	1.329	68.9
BA14040VH48X		48	36~54	1.05	50.4	4000	2.164	76.4	45.48	1.791	70.0
BA14040HV48X		48	36~54	1.275	61.2	4500	2.489	87.9	59.15	2.329	71.9



TKFAN®

UL US CE RoHS

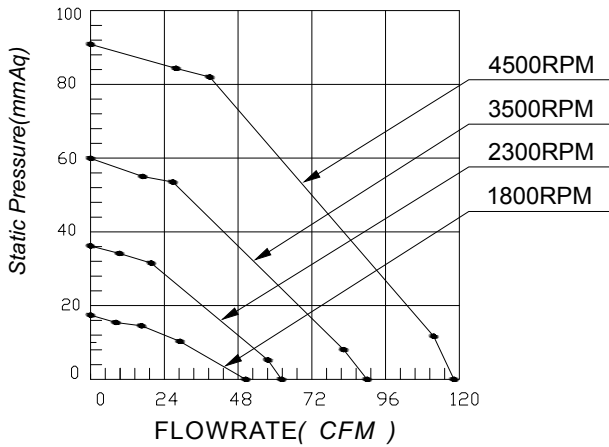
# DC Brushless Blower 160x160x40mm-A Type

版次 Version 2023-3-1

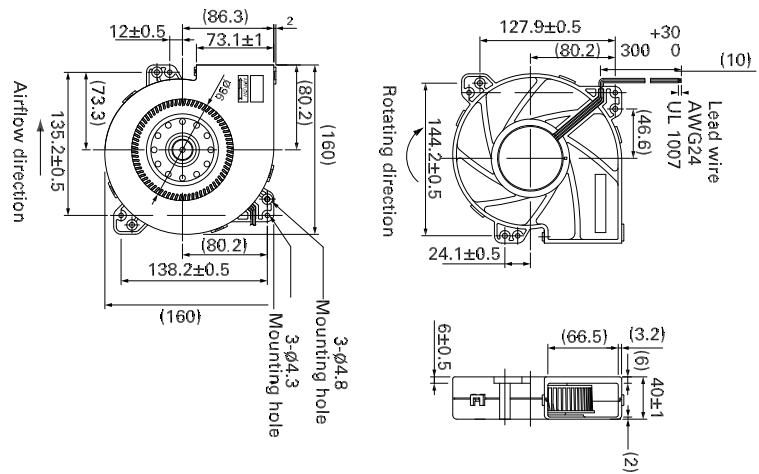
- 轴承结构：滚珠
- Bearing: Ball
- 框外材质: 塑料(等级:UL94V-0)
- Frame:Plastic(Flammability:UL94V-0)
- 扇叶材质:塑胶:(等级:UL94V-0)
- Impeller:Plastic:(Flammability:UL94V-0)
- 风扇单重:580g(Weight:580g)



## P@Q CURVE(AT RATEDVOLTAGE)



## DIMENSIONS DRAWING(unit:mm)



## 编码规则 Code Rule

例子 Example DCH12038H12B-DAH1701  
DCH12038H12X-AY

Model No. is DCH12038H12X; Extro P/N code is AY  
 X means bearing type, can be S(sleeve bearing), can be B(ball bearing), can be Y(HY bearing), can be SU(sleeve with UL), can be BU(ball with UL), can be YU(HY with UL)  
 Y means special function code, it will be used for a certain parts no. or client.  
 产品型号 DCH12038H12X;附加代码 AY. X是一个不确定值,它代表了不同的轴承类型,  
 S(含油轴承),B(滚珠轴承),Y(液压轴承),SU(含油轴承带UL),BU(滚珠轴承带UL),YU(液压轴承带UL)  
 Y是一个不确定的值,它代表不同特殊风机功能,由具体客户或者料号来确定

UNIT: mm (INCH)

Model	P/N Code	Rated Voltage	Operating Voltage Range	Rated Current	Rated Input Power	Speed	Maximum Air Flow		Maximum Air Pressure		Noise
型号	P/N 附加码	额定电压	工作电压范围	额定电流	额定输入功率	转速	最大风量		最大风压		噪音
PART.NO.		VDC	VDC	Amp	Watt	R.P.M	M³/min	CFM	mmH2O	InH2O	dB-A
BA16040H12X	AY	12	7.5~13.5	0.8	9.6	1800	1.45	50.0	17.2	0.68	50.9
BA16040HH12X		12	7.5~13.5	1.4	16.8	2300	1.74	61.5	35.8	1.41	55.3
BA16040VH12X		12	7.5~13.5	4.8	57.6	3500	2.29	89.1	59.4	2.34	64.2
BA16040HV12X		12	7.5~13.5	8.0	96	4500	3.31	117.1	90.1	3.55	71.4
BA16040H24X		24	18~26.5	0.4	9.6	1800	1.45	50.0	17.2	0.68	50.9
BA16040HH24X		24	18~26.5	0.7	16.8	2300	1.74	61.5	35.8	1.41	55.3
BA16040VH24X		24	18~26.5	2.4	57.6	3500	2.29	89.1	59.4	2.34	64.2
BA16040HV24X		24	18~26.5	4.0	96	4500	3.31	117.1	90.1	3.55	71.4
BA16040H48X		48	36~54	0.2	9.6	1800	1.45	50.0	17.2	0.68	50.9
BA16040HH48X		48	36~54	0.35	16.8	2300	1.74	61.5	35.8	1.41	55.3
BA16040VH48X		48	36~54	1.2	57.6	3500	2.29	89.1	59.4	2.34	64.2
BA16040HV48X		48	36~54	2	96	4500	3.31	117.1	90.1	3.55	71.4



TKFAN®

EB

CULUS CE RoHS

# DC Brushless Blower 180x180x40mm-A Type

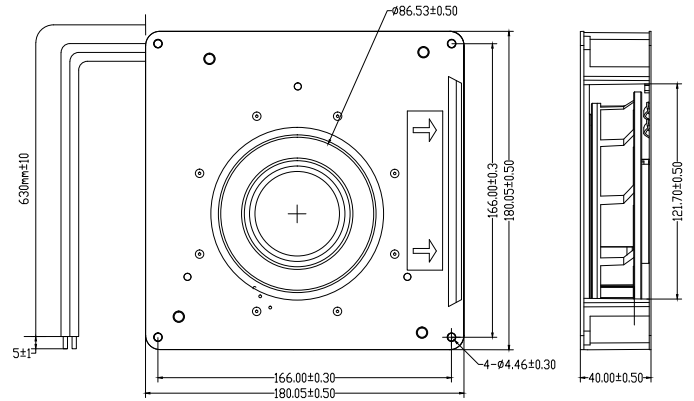
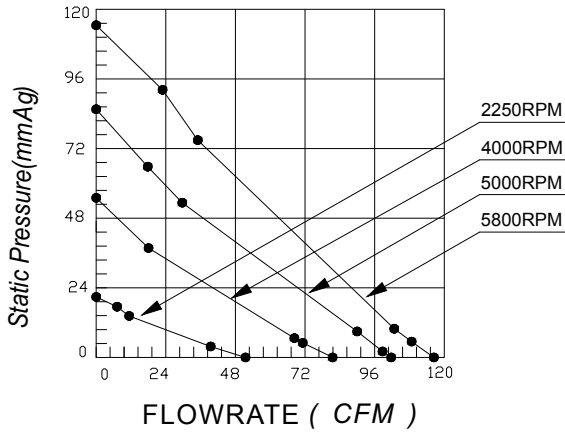
版次 Version 2023-6-7



- 轴承结构：滚珠
- Bearing: Ball
- 框外材质: 蜗壳: 塑胶; 底板: 铁板(等级: UL94V-0)
- Frame: Volute: plastic
- Base plate: iron plate(Flammability: UL94V-0)
- 扇叶材质: 塑胶:(等级: UL94V-0)
- Impeller: Plastic:(Flammability: UL94V-0)
- 风扇单重: 750g(Weight: 750g)

## P@Q CURVE(AT RATED VOLTAGE)

## DIMENSIONS DRAWING(unit:mm)



UNIT: mm (INCH)

## 编码规则 Code Rule

例子 Example DCH12038H12B-DAH1701  
DCH12038H12X-AY

Model No. is DCH12038H12X; Extro P/N code is AY  
 X means bearing type, can be S(sleeve bearing), can be B(ball bearing), can be Y(HY bearing), can be SU(sleeve with UL), can be BU(ball with UL), can be YU(HY with UL)  
 Y means special function code, it will be used for a certain parts no. or client.  
 产品型号 DCH12038H12X; 附加代码 AY. X是一个不确定值, 它代表了不同的轴承类型,  
 S(含油轴承), B(滚珠轴承), Y(液压轴承), SU(含油轴承带UL), BU(滚珠轴承带UL), YU(液压轴承带UL)  
 Y是一个不确定的值, 它代表不同特殊风机功能, 由具体客户或者料号来确定

Model	P/N Code	Rated Voltage	Operating Voltage Range	Rated Current	Rated Input Power	Speed	Maximum Air Flow		Maximum Air Pressure		Noise
型号	P/N 附加码	额定电压	工作电压范围	额定电流	额定输入功率	转速	最大风量		最大风压		噪音
PART.NO.	AY	VDC	VDC	Amp	Watt	R.P.M	M³/min	CFM	mmH2O	InH2O	dB-A
BA18040H12X		12	7.5 ~13.5	0.34	4.08	2250	1.444	51	20.6	0.811	53.3
BA18040HH12X		12	7.5 ~13.5	1.2	14.4	4000	2.285	80.7	54.5	2.146	63.2
BA18040VH12X		12	7.5 ~13.5	2.5	30	5000	2.851	100.7	84.7	3.336	67.6
BA18040HV12X		12	7.5 ~13.5	3.7	44.4	5800	3.264	115.3	113.4	4.467	70.1
BA18040H24X		24	18 ~26.5	0.17	4.08	2250	1.444	51	20.6	0.811	53.3
BA18040HH24X		24	18 ~26.5	0.6	14.4	4000	2.285	80.7	54.5	2.146	63.2
BA18040VH24X		24	18 ~26.5	1.25	30	5000	2.851	100.7	84.7	3.336	67.6
BA18040HV24X		24	18 ~26.5	1.85	44.4	5800	3.264	115.3	113.4	4.467	70.1
BA18040H48X		48	36 ~54	0.085	4.08	2250	1.444	51	20.6	0.811	53.3
BA18040HH48X		48	36 ~54	0.3	14.4	4000	2.285	80.7	54.5	2.146	63.2
BA18040VH48X		48	36 ~54	0.625	30	5000	2.851	100.7	84.7	3.336	67.6
BA18040HV48X		48	36 ~54	0.925	44.4	5800	3.264	115.3	113.4	4.467	70.1



TKFAN®

C US CE RoHS

# DC Brushless Blower 180x180x60mm-A Type

版次Version 2021-3-19

轴承结构：滚珠

Bearing: Ball

框外材质: 铁：(等级:UL94V-0)

Frame:iron(Flammability:UL94V-0)

扇叶材质: 铁：(等级:UL94V-0)

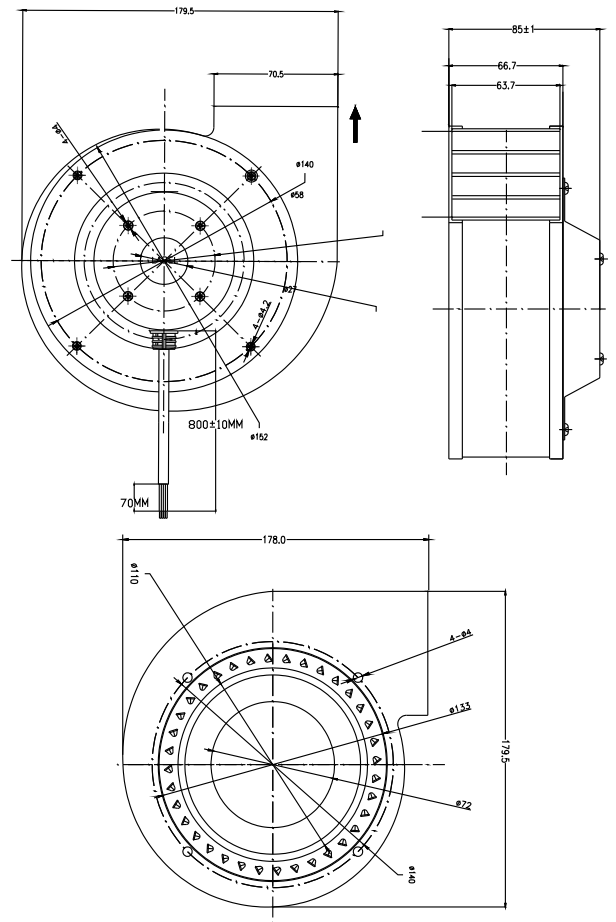
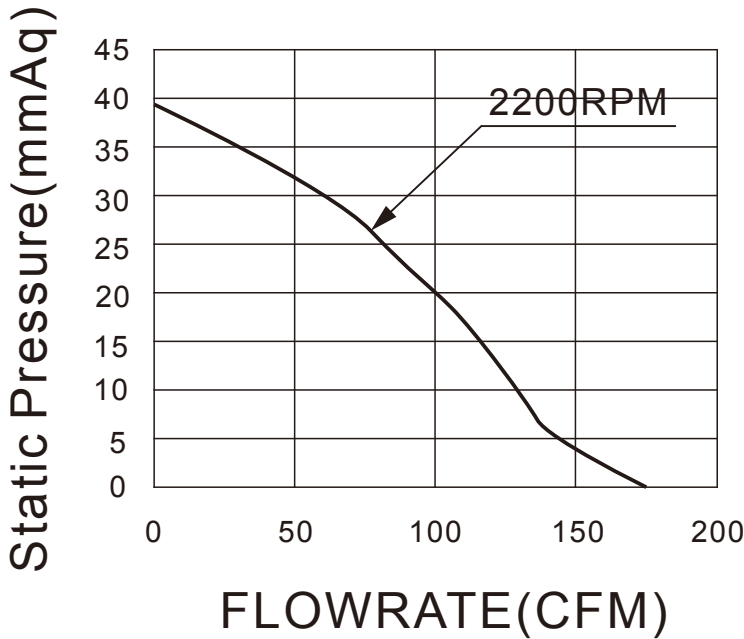
Impeller:iron:(Flammability:UL94V-0)

风扇单重:1428g(Weight:1428g)



## P@Q CURVE(AT RATEDVOLTAGE)

## DIMENSIONS DRAWING(unit:mm)



## 编码规则 Code Rule

例子 Example DCH12038H12B-A1701  
DCH12038H12X-AY

Model No. is DCH12038H12X; Extro P/N code is AY  
 X means bearing type, can be S(sleeve bearing), can be B(ball bearing), can be Y(HY bearing), can be SU(sleeve with UL), can be BU(ball with UL), can be YU(HY with UL)  
 Y means special function code, it will be used for a certain parts no. or client.  
 产品型号 DCH12038H12X; 附加代码 AY. X是一个不确定值, 它代表了不同的轴承类型, S(含油轴承), B(滚珠轴承), Y(液压轴承), SU(含油轴承带UL), BU(滚珠轴承带UL), YU(液压轴承带UL)  
 Y是一个不确定的值, 它代表不同特殊风机功能, 由具体客户或者料号来确定

Model	P/N Code	Rated Voltage	Operating Voltage Range	Rated Current	Rated Input Power	Speed	Maximum Air Flow		Maximum Air Pressure		Noise
型号	P/N 附加码	额定电压	工作电压范围	额定电流	额定输入功率	转速	最大风量		最大风压		噪音
PART.NO.	AY	VDC	VDC	Amp	Watt	R.P.M	M³/min	CFM	mmH2O	InH2O	dB-A
BA18060H24B			24	18~26.5	2.55	61.2	2200	4.876	172.3	39.54	1.557



TKFAN®

UL US CE RoHS

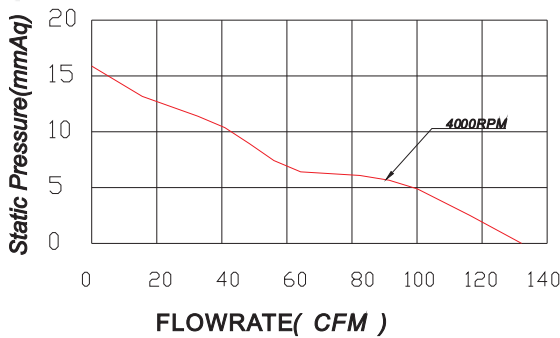
# EC Brushless FAN 120x120x38mm-E Type

版次Version 2019-7-3

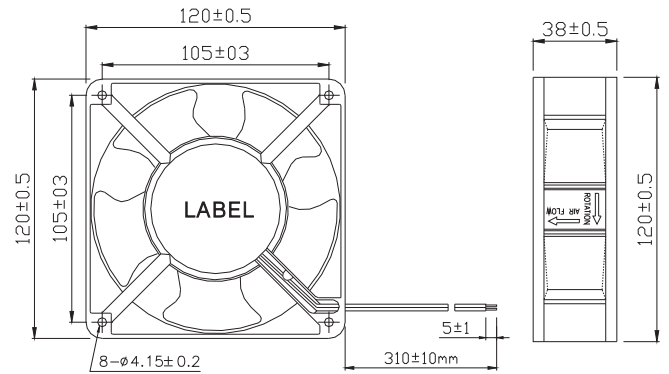


轴承结构：滚珠、含油、液压  
 Bearing: Ball、sleeve、HY  
 框外材质: 塑胶(等级:UL94V-0)  
 Frame:Plastic(Flammability:UL94V-0)  
 扇叶材质:塑胶:(等级:UL94V-0)  
 Impeller:Plastic:(Flammability:UL94V-0)  
 风扇单重:275g(Weight:275g)

## P@Q CURVE(AT RATEDVOLTAGE)



## DIMENSIONS DRAWING(unit:mm)



## 编码规则 Code Rule

例子 Example DCH12038H12B-DCH1701  
 DCH12038H12X-AY

Model No. is DCH12038H12X; Extro P/N code is AY

X means bearing type, can be S(sleeve bearing), can be B(ball bearing), can be Y(HY bearing), can be SU(sleeve with UL), can be BU(ball with UL), can be YU(HY with UL)

Y means special function code, it will be used for a certain parts no. or client.

产品型号 DCH12038H12X;附加代码 AY. X是一个不确定值,它代表了不同的轴承类型,

S(含油轴承),B(滚珠轴承),Y(液压轴承),SU(含油轴承带UL),BU(滚珠轴承带UL),YU(液压轴承带UL)

Y是一个不确定的值,它代表不同特殊风机功能,由具体客户或者料号来确定

Model	P/N Code	Rated Voltage	Operating Voltage Range	Rated Current	Rated Input Power	Speed	Maximum Air Flow		Maximum Air Pressure		Noise
型号	P/N 附加码	额定电压	工作电压范围	额定电流	额定输入功率	转速	最大风量	最大风量	最大风压	最大风压	噪音
PART.NO.	EY	VDC	VDC	Amp	Watt	R.P.M	M³/min	CFM	mmH2O	InH2O	dB-A
EA12038HH01X		110	100~125	0.154	10.8	4000	3.801	135.75	15.84	0.624	56.6
EA12038HH02X		220	220~240	0.077	10.8	4000	3.801	135.75	15.84	0.624	56.6



TKFAN®

UL US CE RoHS

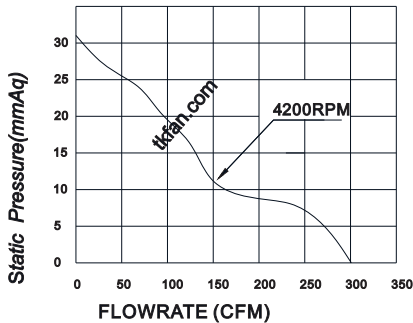
# EC Brushless FAN 172x151x51mm-A Type

版次Version 2019-7-10

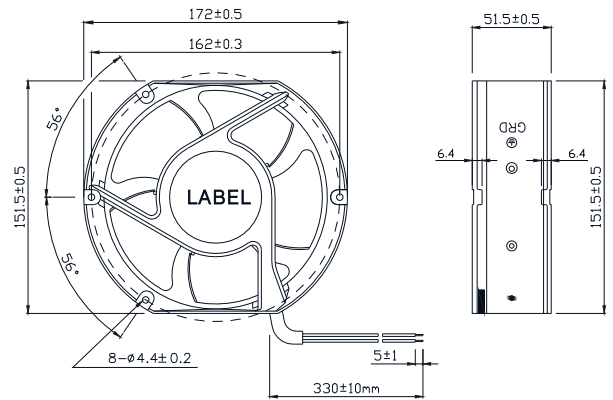


轴承结构：双滚珠  
 Bearing: Two ball  
 框外材质: 铝(等级:UL94V-0)  
 Frame:Aluminum(Flammability:UL94V-0)  
 扇叶材质:塑胶:(等级:UL94V-0)  
 Impeller:Plastic:(Flammability:UL94V-0)  
 风扇单重:710g(Weight:710g)

## P@Q CURVE(AT RATEDVOLTAGE)



## DIMENSIONS DRAWING(unit:mm)



## 编码规则 Code Rule

例子 Example DCH12038H12B-DCH1701  
 DCH12038H12X-AY

Model No. is DCH12038H12X; Extro P/N code is AY  
 X means bearing type, can be S(sleeve bearing), can be B(ball bearing), can be Y(HY bearing), can be SU(sleeve with UL), can be BU(ball with UL), can be YU(HY with UL)  
 Y means special function code, it will be used for a certain parts no. or client.  
 产品型号 DCH12038H12X;附加代码 AY. X是一个不确定值,它代表了不同的轴承类型,  
 S(含油轴承),B(滚珠轴承),Y(液压轴承),SU(含油轴承带UL),BU(滚珠轴承带UL),YU(液压轴承带UL)  
 Y是一个不确定的值,它代表不同特殊风机功能,由具体客户或者料号来确定

Model	P/N Code	Rated Voltage	Operating Voltage Range	Rated Current	Rated Input Power	Speed	Maximum Air Flow		Maximum Air Pressure		Noise
型号	P/N 附加码	额定电压	工作电压范围	额定电流	额定输入功率	转速	最大风量		最大风压		噪音
PART.NO.	AY	VDC	VDC	Amp	Watt	R.P.M	M³/min	CFM	mmH2O	InH2O	dB-A
EA17251HH01X		110	100~125	0.38	31.4	4200	8.571	306.1	31.3	1.23	66.2
EA17251HH02X		220	220~240	0.19	31.4	4200	8.571	306.1	31.3	1.23	66.2



TKFAN®

UL US CE RoHS

# EC Brushless FAN 200x70mm-A Type

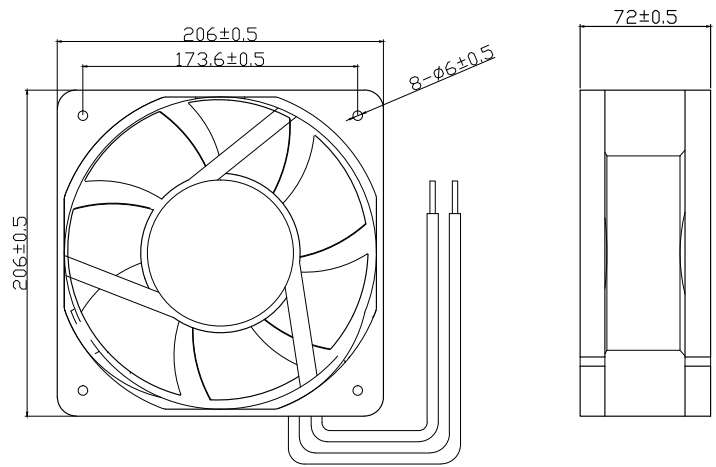
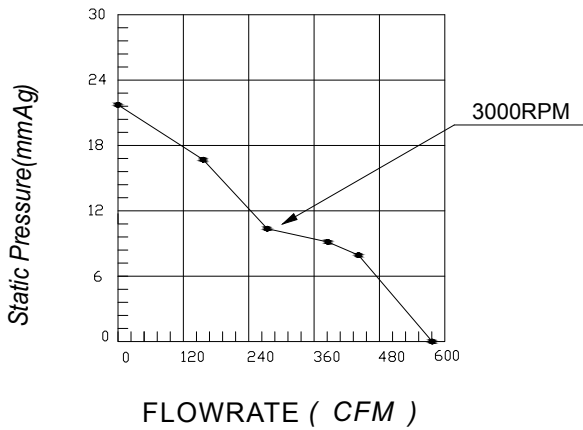
版次 Version 2022-11-17



轴承结构：双滚珠  
 Bearing: Two ball  
 框外材质: 铝(等级:UL94V-0)  
 Frame:Aluminum(Flammability:UL94V-0)  
 扇叶材质:塑胶:(等级:UL94V-0)  
 Impeller:Plastic:(Flammability:UL94V-0)  
 风扇单重:2337g(Weight:2337g)

## P@Q CURVE(AT RATEDVOLTAGE)

## DIMENSIONS DRAWING(unit:mm)



## 编码规则 Code Rule

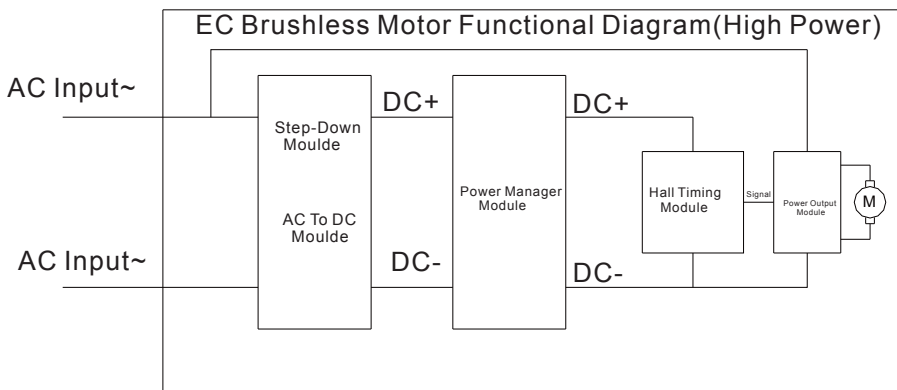
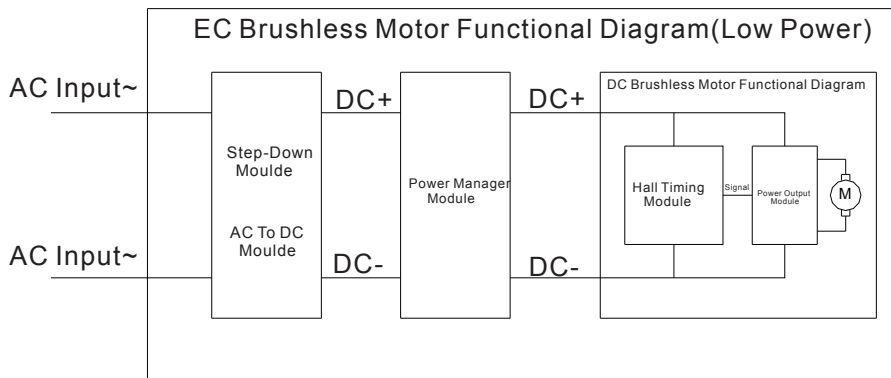
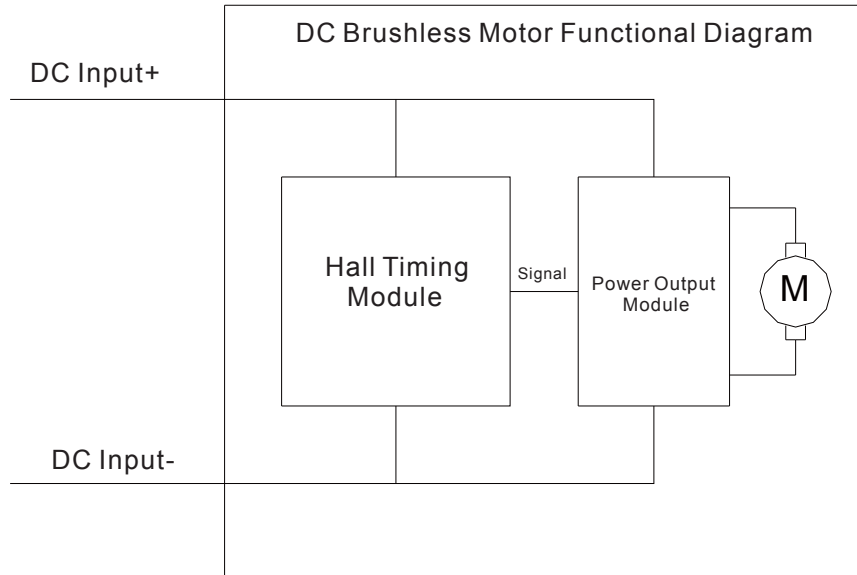
例子 Example DCH12038H12B-DAH1701  
 DCH12038H12X-AY

Model No. is DCH12038H12X; Extro P/N code is AY  
 X means bearing type, can be S(sleeve bearing), can be B(ball bearing), can be Y(HY bearing), can be SU(sleeve with UL), can be BU(ball with UL), can be YU(HY with UL)  
 Y means special function code, it will be used for a certain parts no. or client.  
 产品型号 DCH12038H12X;附加代码 AY. X是一个不确定值,它代表了不同的轴承类型,  
 S(含油轴承),B(滚珠轴承),Y(液压轴承),SU(含油轴承带UL),BU(滚珠轴承带UL),YU(液压轴承带UL)  
 Y是一个不确定的值,它代表不同特殊风机功能,由具体客户或者料号来确定

Model	P/N Code	Rated Voltage	Operating Voltage Range	Rated Current	Rated Input Power	Speed	Maximum Air Flow		Maximum Air Pressure		Noise
型号	P/N 附加码	额定电压	工作电压范围	额定电流	额定输入功率	转速	最大风量		最大风压		噪音
PART.NO.	AY	VDC	VDC	Amp	Watt	R.P.M	M³/min	CFM	mmH2O	InH2O	dB-A
EA20070H02X			220	220~240	0.28	60.6	3000	16.33	576.77	21.72	0.85



# EC MOTOR INTRODUCTION

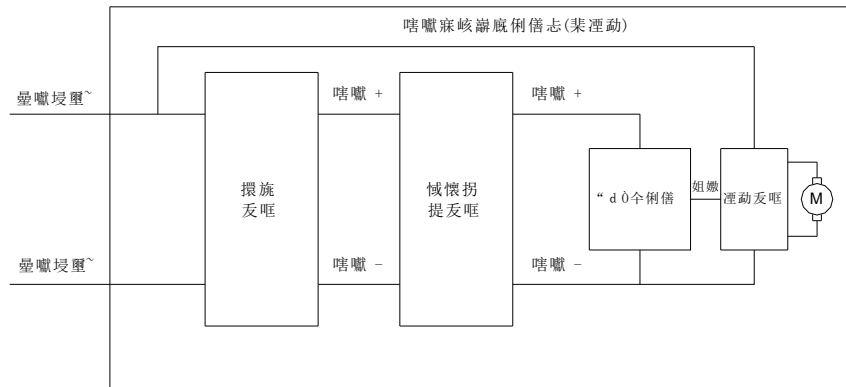
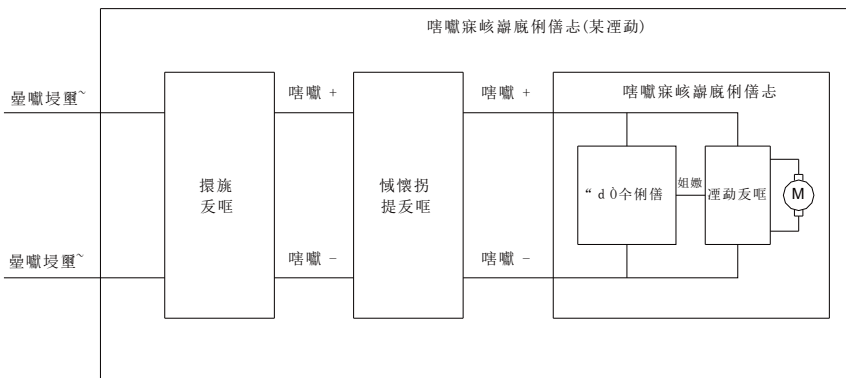
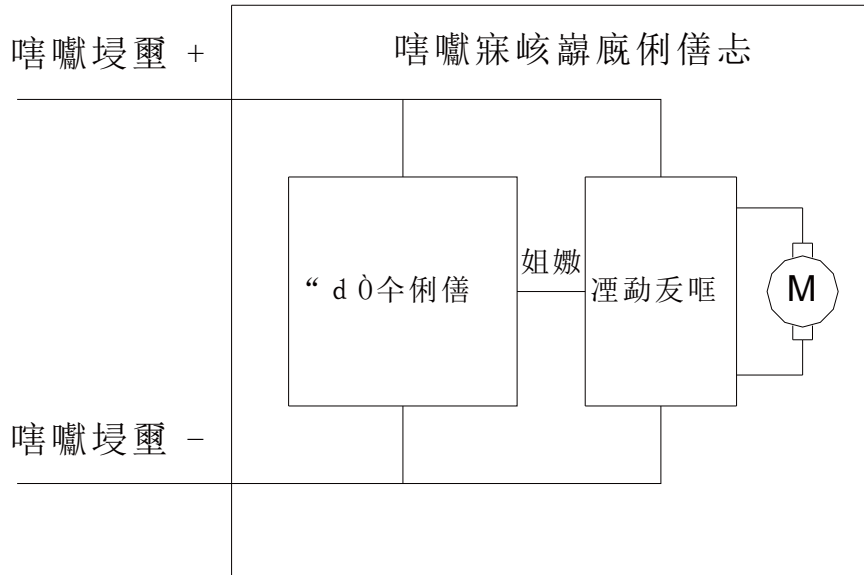


## EC Motor VS AC Motor

1. Normal AC fan speed can't be more than 3000rpm because of AC frequency point. But EC fan speed can be same high as dc fan. 10000rpm is possible.
2. EC Fan speed can be controled by external signal, such as PWM/5v dc. And can be "stepless speed change".
3. But operation voltage of EC motor can not be same as AC motor. because we used many electronic components.
4. But EC motor will meet "electromagnetic compatibility" problem, because we can't use high precision AC-DC mouldle circuit. because the space of fan motor is not enough some times. Based on this problem, the quality of the fan from different manufacture is different because of their different designing.



# EC无刷电机介绍



## EC无刷电机/风机优势/劣势

- 1.传统AC交流电机转速收市电频率影响最高转速不能超过3000rpm,EC电机转速不受此限制,解决了交流供电系统对大风力电机的需求。
- 2.EC无刷电机/风机可以实现信号控制转速(无极变速),信号反馈和监控。
- 3.由于EC电机大量使用电子元器件,耐高温性能不及传统AC交流电机。
- 4.由于EC无刷电机内部空间有限,内部难以放置高精密AC-DC模块,特别是大功率EC电机会遇到电磁兼容问题.不同厂家设计出来的电路效果会不一样。



TKFAN®

UL US CE RoHS

# DC Centrifugal FAN Ø70x20mm-AType

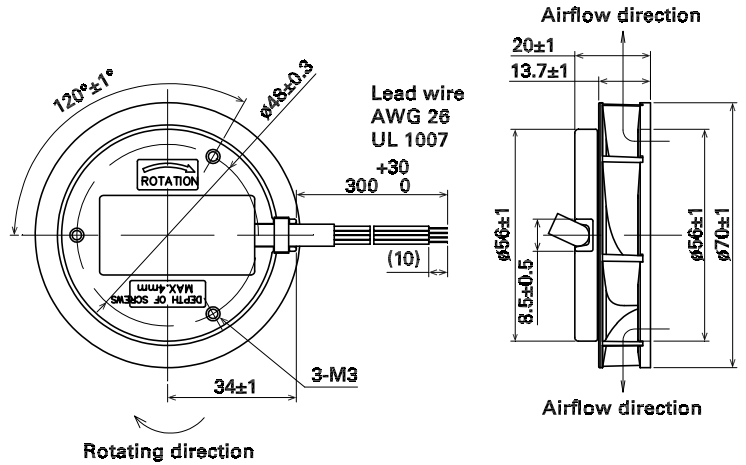
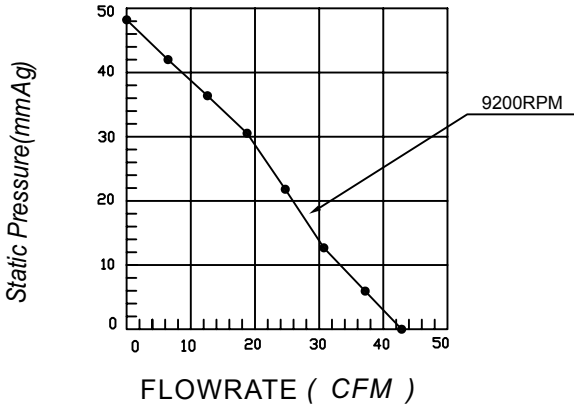
版次 Version 2022-10-13



轴承结构：双滚珠  
 Bearing: two ball  
 框外材质: 铝(等级:UL94V-0)  
 Frame:Aluminum(Flammability:UL94V-0)  
 扇叶材质:塑胶:(等级:UL94V-0)  
 Impeller:Plastic:(Flammability:UL94V-0)  
 风扇单重:90g(Weight:90g)

## P@Q CURVE(AT RATEDVOLTAGE)

## DIMENSIONS DRAWING(unit:mm)



## 编码规则 Code Rule

例子 Example DCH12038H12B-DAH1701  
 DCH12038H12X-AY

Model No. is DCH12038H12X; Extro P/N code is AY  
 X means bearing type, can be S(sleeve bearing), can be B(ball bearing), can be Y(HY bearing), can be SU(sleeve with UL), can be BU(ball with UL), can be YU(HY with UL)  
 Y means special function code, it will be used for a certain parts no. or client.  
 产品型号 DCH12038H12X;附加代码 AY. X是一个不确定值,它代表了不同的轴承类型,  
 S(含油轴承),B(滚珠轴承),Y(液压轴承),SU(含油轴承带UL),BU(滚珠轴承带UL),YU(液压轴承带UL)  
 Y是一个不确定的值,它代表不同特殊风机功能,由具体客户或者料号来确定

Model	P/N Code	Rated Voltage	Operating Voltage Range	Rated Current	Rated Input Power	Speed	Maximum Air Flow		Maximum Air Pressure		Noise
型号	P/N 附加码	额定电压	工作电压范围	额定电流	额定输入功率	转速	最大风量		最大风压		噪音
PART.NO.	AY	VDC	VDC	Amp	Watt	R.P.M	M³/min	CFM	mmH2O	InH2O	dB-A
CA7020H12X		12	7.5~13.5	1	12	9200	1.21	42.8	48.1	1.89	60.8
CA7020H24X		24	18~26.5	0.5	12	9200	1.21	42.8	48.1	1.89	60.8
CA7020H48X		48	36~54	0.25	12	9200	1.21	42.8	48.1	1.89	60.8



TKFAN®

C RoHS

# DC Centrifugal FAN Ø70x25mm-A Type

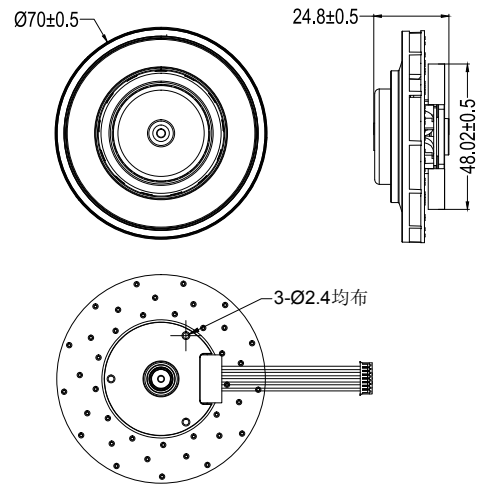
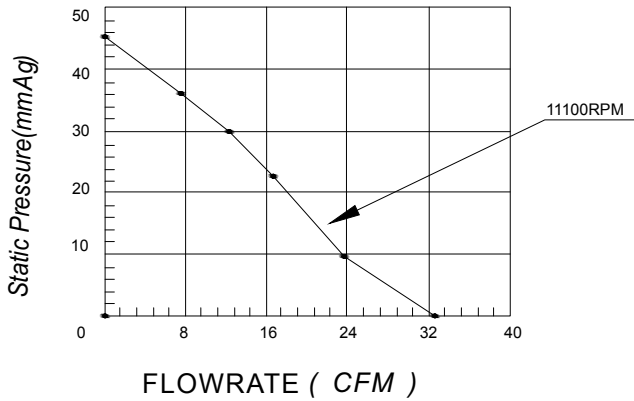
版次 Version 2024-6-22



轴承结构：双滚珠  
 Bearing: Two ball  
 框外材质: 塑胶(等级:UL94V-0)  
 Frame:Plastic(Flammability:UL94V-0)  
 扇叶材质:塑胶(等级:UL94V-0)  
 Impeller:Plastic(Flammability:UL94V-0)  
 风扇单重:75g(Weight:75g)

## P@Q CURVE(AT RATEDVOLTAGE)

## DIMENSIONS DRAWING(unit:mm)



## 编码规则 Code Rule

例子 Example DCH12038H12B-DAH1701  
DCH12038H12X-AY

Model No. is DCH12038H12X; Extro P/N code is AY  
 X means bearing type, can be S(sleeve bearing), can be B(ball bearing), can be Y(HY bearing), can be SU(sleeve with UL), can be BU(ball with UL), can be YU(HY with UL)  
 Y means special function code, it will be used for a certain parts no. or client.  
 产品型号 DCH12038H12X;附加代码 AY. X是一个不确定值,它代表了不同的轴承类型,  
 S(含油轴承),B(滚珠轴承),Y(液压轴承),SU(含油轴承带UL),BU(滚珠轴承带UL),YU(液压轴承带UL)  
 Y是一个不确定的值,它代表不同特殊风机功能,由具体客户或者料号来确定

Model	P/N Code	Rated Voltage	Operating Voltage Range	Rated Current	Rated Input Power	Speed	Maximum Air Flow		Maximum Air Pressure		Noise
型号	P/N 附加码	额定电压	工作电压范围	额定电流	额定输入功率	转速	最大风量		最大风压		噪音
PART.NO.	AY	VDC	VDC	Amp	Watt	R.P.M	M³/min	CFM	mmH2O	InH2O	dBA
CA7025H12X		12	7 ~12	1.5	16.2	11100	0.91	32.3	45.0	1.78	65.4



TKFAN®

UL<sup>®</sup> US CE RoHS

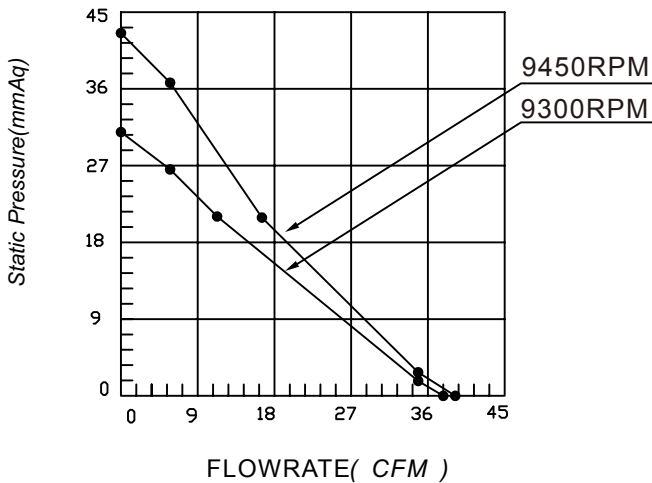
# DC Centrifugal FAN ø90x25mm-A Type

版次Version 2022-3-25

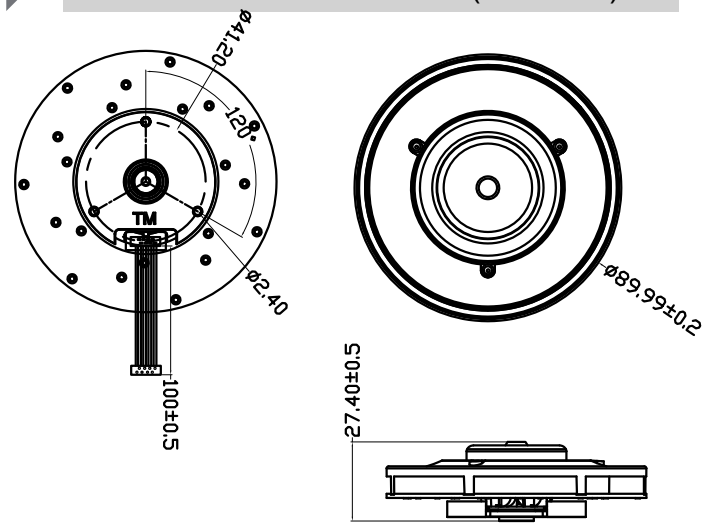
轴承结构：双滚珠  
 Bearing: two ball  
 框外材质: 塑胶(等级:UL94V-0)  
 Frame:Plastic(Flammability:UL94V-0)  
 扇叶材质:塑胶:(等级:UL94V-0)  
 Impeller:Plastic:(Flammability:UL94V-0)  
 风扇单重:85g(Weight:85g)



## P@Q CURVE(AT RATEDVOLTAGE)



## DIMENSIONS DRAWING(unit:mm)



UNIT:  $\frac{\text{mm}}{\text{(INCH)}}$

## 编码规则 Code Rule

例子 Example DCH12038H12B-DAH1701  
 DCH12038H12X-AY

Model No. is DCH12038H12X; Extro P/N code is AY

X means bearing type, can be S(sleeve bearing), can be B(ball bearing), can be Y(HY bearing), can be SU(sleeve with UL), can be BU(ball with UL), can be YU(HY with UL)

Y means special function code, it will be used for a certain parts no. or client.

产品型号 DCH12038H12X;附加代码 AY. X是一个不确定值,它代表了不同的轴承类型,

S(含油轴承),B(滚珠轴承),Y(液压轴承),SU(含油轴承带UL),BU(滚珠轴承带UL),YU(液压轴承带UL)

Y是一个不确定的值,它代表不同特殊风机功能,由具体客户或者料号来确定

Model	P/N Code	Rated Voltage	Operating Voltage Range	Rated Current	Rated Input Power	Speed	Maximum Air Flow		Maximum Air Pressure		Noise
型号	P/N 附加码	额定电压	工作电压范围	额定电流	额定输入功率	转速	最大风量	最大风压	最大风压	最大风压	噪音
PART.NO.	AY	VDC	VDC	Amp	Watt	R.P.M	M <sup>3</sup> /min	CFM	mmH2O	InH2O	dB-A
CA9025M12BX		10.8	5~11	1.8	19.44	9450	1.109	39.2	42.6	1.677	70.9
CA9025H12BX		14.4	5~14.5	1.25	18	9300	1.069	37.8	30.9	1.217	71.9



TKFAN®

UL US CE RoHS

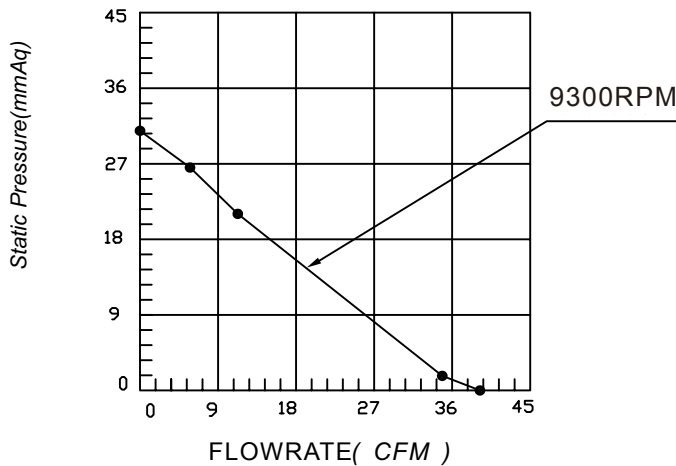
# DC Centrifugal FAN ø90x25mm-B Type

版次Version 2022-3-25

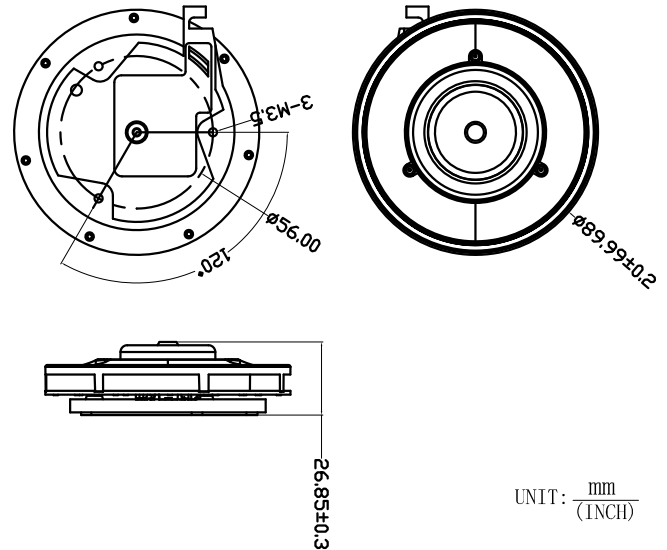
轴承结构：双滚珠  
 Bearing: two ball  
 框外材质: 塑胶(等级:UL94V-0)  
 Frame:Plastic(Flammability:UL94V-0)  
 扇叶材质:塑胶:(等级:UL94V-0)  
 Impeller:Plastic:(Flammability:UL94V-0)  
 风扇单重:85g(Weight:85g)



## P@Q CURVE(AT RATEDVOLTAGE)



## DIMENSIONS DRAWING(unit:mm)



UNIT:  $\frac{\text{mm}}{(\text{INCH})}$

## 编码规则 Code Rule

例子 Example DCH12038H12B-DAH1701  
 DCH12038H12X-AY

Model No. is DCH12038H12X; Extro P/N code is AY

X means bearing type, can be S(sleeve bearing), can be B(ball bearing), can be Y(HY bearing), can be SU(sleeve with UL), can be BU(ball with UL), can be YU(HY with UL)

Y means special function code, it will be used for a certain parts no. or client.

产品型号 DCH12038H12X;附加代码 AY. X是一个不确定值,它代表了不同的轴承类型,

S(含油轴承),B(滚珠轴承),Y(液压轴承),SU(含油轴承带UL),BU(滚珠轴承带UL),YU(液压轴承带UL)

Y是一个不确定的值,它代表不同特殊风机功能,由具体客户或者料号来确定

Model	P/N Code	Rated Voltage	Operating Voltage Range	Rated Current	Rated Input Power	Speed	Maximum Air Flow		Maximum Air Pressure		Noise
型号	P/N 附加码	额定电压	工作电压范围	额定电流	额定输入功率	转速	最大风量		最大风压		噪音
PART.NO.	BY	VDC	VDC	Amp	Watt	R.P.M	M <sup>3</sup> /min	CFM	mmH2O	InH2O	dB-A
CA9025H12BX			12	7.5~13.5	1.25	18	9300	1.069	37.8	30.9	1.217



TKFAN®

UL US CE RoHS

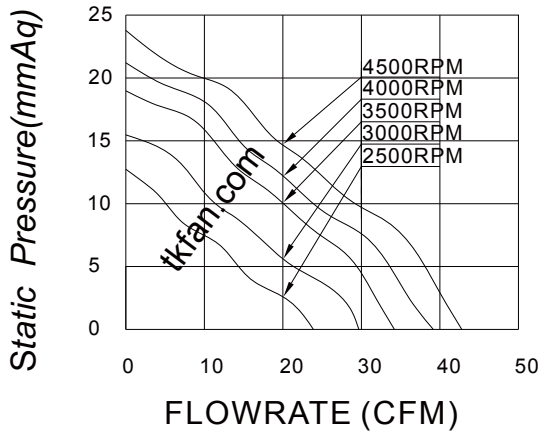
# DC Centrifugal FAN Ø100x25mm-A Type

版次Version 2017-4-12

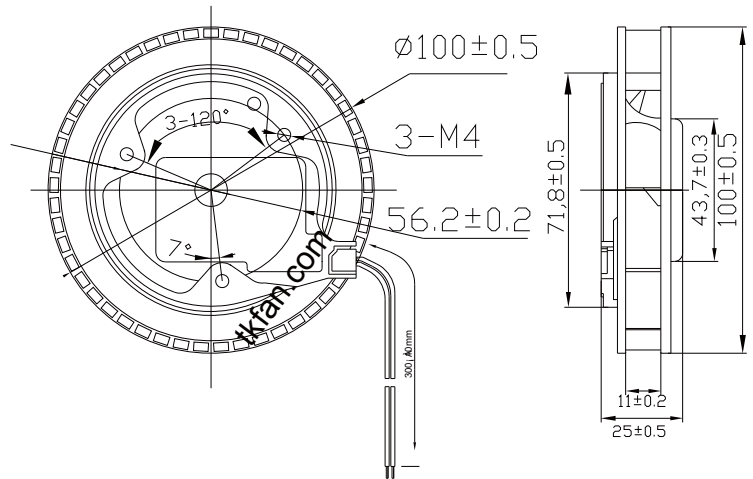
- 轴承结构：双滚珠
- Bearing: two ball
- 框外材质: 塑胶(等级:UL94V-0)
- Frame:Plastic(Flammability:UL94V-0)
- 扇叶材质:塑胶:(等级:UL94V-0)
- Impeller:Plastic:(Flammability:UL94V-0)
- 风扇单重:121g(Weight:121g)



## P@Q CURVE(AT RATEDVOLTAGE)



## DIMENSIONS DRAWING(unit:mm)



## 编码规则 Code Rule

例子 Example DCH12038H12B-A1701  
DCH12038H12X-AY

Model No. is DCH12038H12X; Extro P/N code is AY

X means bearing type, can be S(sleeve bearing), can be B(ball bearing), can be Y(HY bearing), can be SU(sleeve with UL), can be BU(ball with UL), can be YU(HY with UL)

Y means special function code, it will be used for a certain parts no. or client.

产品型号 DCH12038H12X;附加代码 AY. X是一个不确定值,它代表了不同的轴承类型,

S(含油轴承),B(滚珠轴承),Y(液压轴承),SU(含油轴承带UL),BU(滚珠轴承带UL),YU(液压轴承带UL)

Y是一个不确定的值,它代表不同特殊风机功能,由具体客户或者料号来确定

Model	P/N Code	Rated Voltage	Operating Voltage Range	Rated Current	Rated Input Power	Speed	Maximum Air Flow		Maximum Air Pressure		Noise
型号	P/N 附加码	额定电压	工作电压范围	额定电流	额定输入功率	转速	最大风量		最大风压		噪音
PART.NO.	AY	VDC	VDC	Amp	Watt	R.P.M	M³/min	CFM	mmH2O	InH2O	dB-A
CA10025L12X		12	3~13.5	0.29	3.48	2500	0.679	24.1	13.16	0.518	31.0
CA10025M12X		12	3~13.5	0.35	4.2	3000	0.814	29.0	15.79	0.622	37.2
CA10025H12X		12	3~13.5	0.41	4.92	3500	0.950	33.8	18.42	0.725	43.5
CA10025HH12X		12	3~13.5	0.47	5.64	4000	1.086	38.6	21.06	0.829	49.7
CA10025VH12X		12	3~13.5	0.53	6.36	4500	1.222	43.5	23.69	0.923	55.9
CA10025L24X		24	12~28	0.15	3.6	2500	0.679	24.1	13.16	0.518	31.0
CA10025M24X		24	12~28	0.18	4.32	3000	0.814	29.0	15.79	0.622	37.2
CA10025H24X		24	12~28	0.21	5.04	3500	0.950	33.8	18.42	0.725	43.5
CA10025HH24X		24	12~28	0.24	5.76	4000	1.086	38.6	21.06	0.829	49.7
CA10025VH24X		24	12~28	0.27	6.48	4500	1.222	43.5	23.69	0.923	55.9
CA10025HV24X		24	12~28	0.35	8.4	5500	1.44	51.3	25.5	1.16	62



TKFAN®

UL US CE RoHS

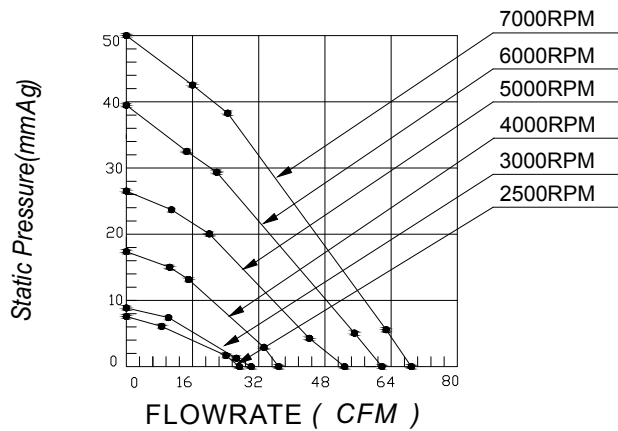
# DC Centrifugal FAN Ø100x25mm-B Type

版次 Version 2024-1-30

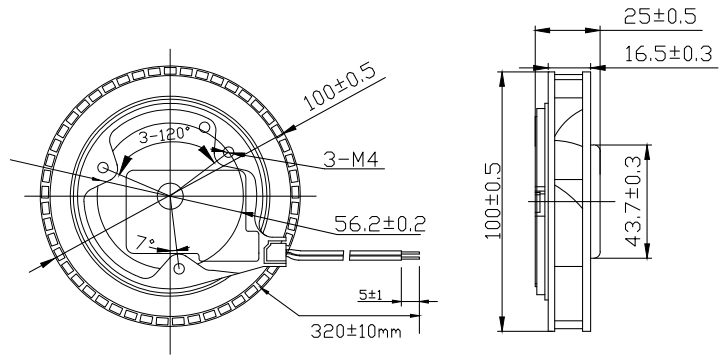


轴承结构：双滚珠  
 Bearing: Two ball  
 框外材质: 铝(等级:UL94V-0)  
 Frame:Aluminum(Flammability:UL94V-0)  
 扇叶材质:塑胶:(等级:UL94V-0)  
 Impeller:Plastic:(Flammability:UL94V-0)  
 风扇单重:141g(Weight:141g)

## P@Q CURVE(AT RATEDVOLTAGE)



## DIMENSIONS DRAWING(unit:mm)



## 编码规则 Code Rule

例子 Example DCH12038H12B-DAH1701  
DCH12038H12X-AY

Model No. is DCH12038H12X; Extro P/N code is AY

X means bearing type, can be S(sleeve bearing), can be B(ball bearing), can be Y(HY bearing), can be SU(sleeve with UL), can be BU(ball with UL), can be YU(HY with UL)

Y means special function code, it will be used for a certain parts no. or client.

产品型号 DCH12038H12X;附加代码 AY. X是一个不确定值,它代表了不同的轴承类型,

S(含油轴承),B(滚珠轴承),Y(液压轴承),SU(含油轴承带UL),BU(滚珠轴承带UL),YU(液压轴承带UL)

Y是一个不确定的值,它代表不同特殊风机功能,由具体客户或者料号来确定

Model	P/N Code	Rated Voltage	Operating Voltage Range	Rated Current	Rated Input Power	Speed	Maximum Air Flow		Maximum Air Pressure		Noise
型号	P/N 附加码	额定电压	工作电压范围	额定电流	额定输入功率	转速	最大风量		最大风压		噪音
PART.NO.	BY	VDC	VDC	Amp	Watt	R.P.M	M³/min	CFM	mmH2O	InH2O	dB-A
CA10025L12X		12	7.5~13.5	0.2	2.4	2500	0.77	27.4	7.5	0.30	41.5
CA10025M12X		12	7.5~13.5	0.24	2.88	3000	0.85	29.9	8.8	0.35	44.0
CA10025H12X		12	7.5~13.5	0.4	4.8	4000	1.03	36.4	17.2	0.68	51.9
CA10025HH12X		12	7.5~13.5	0.8	9.6	5000	1.47	52.1	26.2	1.03	57.7
CA10025VH12X		12	7.5~13.5	1.2	14.4	6000	1.73	61.0	39.1	1.54	62.0
CA10025HV12X		12	7.5~13.5	1.6	19.2	7000	1.93	68.0	49.4	1.95	64.9
CA10025L24X		24	18~26.5	0.1	2.4	2500	0.77	27.4	7.5	0.30	41.5
CA10025M24X		24	18~26.5	0.12	2.88	3000	0.85	29.9	8.8	0.35	44.0
CA10025H24X		24	18~26.5	0.2	4.8	4000	1.03	36.4	17.2	0.68	51.9
CA10025HH24X		24	18~26.5	0.4	9.6	5000	1.47	52.1	26.2	1.03	57.7
CA10025VH24X		24	18~26.5	0.6	14.4	6000	1.73	61.0	39.1	1.54	62.0
CA10025HV24X		24	18~26.5	0.8	19.2	7000	1.93	68.0	49.4	1.95	64.9



TKFAN®

UL US CE RoHS

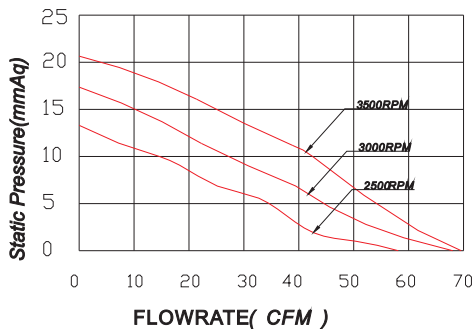
# DC Centrifugal FAN Ø120x25mm-A Type

版次Version 2019-7-3

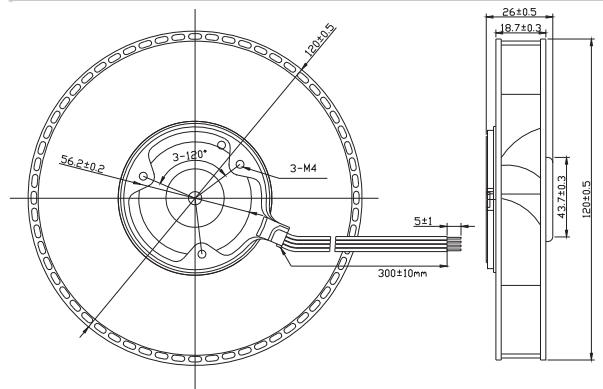
轴承结构：双滚珠  
Bearing: Two ball  
框外材质: 塑胶(等级:UL94V-0)  
Frame:Plastic(Flammability:UL94V-0)  
扇叶材质:塑胶:(等级:UL94V-0)  
Impeller:Plastic:(Flammability:UL94V-0)  
风扇单重:155g(Weight: 155g)



## P@Q CURVE(AT RATEDVOLTAGE)



## DIMENSIONS DRAWING(unit:mm)



## 编码规则 Code Rule

例子 Example DCH12038H12B-DCH1701  
DCH12038H12X-AY

Model No. is DCH12038H12X; Extro P/N code is AY

X means bearing type, can be S(sleeve bearing), can be B(ball bearing), can be Y(HY bearing), can be SU(sleeve with UL), can be BU(ball with UL), can be YU(HY with UL)

Y means special function code, it will be used for a certain parts no. or client.

产品型号 DCH12038H12X;附加代码AY. X是一个不确定值,它代表了不同的轴承类型,

S(含油轴承),B(滚珠轴承),Y(液压轴承),SU(含油轴承带UL),BU(滚珠轴承带UL),YU(液压轴承带UL)

Y是一个不确定的值,它代表不同特殊风机功能,由具体客户或者料号来确定

Model	P/N Code	Rated Voltage	Operating Voltage Range	Rated Current	Rated Input Power	Speed	Maximum Air Flow		Maximum Air Pressure		Noise
型号	P/N 附加码	额定电压	工作电压范围	额定电流	额定输入功率	转速	最大风量		最大风压		噪音
PART.NO.	AY	VDC	VDC	Amp	Watt	R.P.M	M³/min	CFM	mmH2O	InH2O	dB-A
CA12025M12X		12	7.5~13.5	0.6	7.2	2500	1.622	57.29	13.95	0.549	45
CA12025H12X		12	7.5~13.5	0.8	9.6	3000	1.929	68.14	17.74	0.698	49.6
CA12025HH12X		12	7.5~13.5	1.2	14.4	3500	1.973	69.69	21.18	0.833	53.5
CA12025M24X		24	18~26.5	0.3	7.2	2500	1.622	57.29	13.95	0.549	45
CA12025H24X		24	18~26.5	0.4	9.6	3000	1.929	68.14	17.74	0.698	49.6
CA12025HH24X		24	18~26.5	0.6	14.4	3500	1.973	69.69	21.18	0.833	53.5
CA12025M48X		48	36~54	0.15	7.2	2500	1.622	57.29	13.95	0.549	45
CA12025H48X		48	36~54	0.2	9.6	3000	1.929	68.14	17.74	0.698	49.6
CA12025HH48X		48	36~54	0.32	14.4	3500	1.973	69.69	21.18	0.833	53.5



TKFAN®

cUL<sup>®</sup> US CE RoHS

## DC Centrifugal FAN Ø120x28mm-A Type

版次 Version 2024-7-29

轴承结构：滚珠

Bearing: Ball

框外材质: 塑胶:(等级:UL94V-0)

Frame:Plastic:(Flammability:UL94V-0)

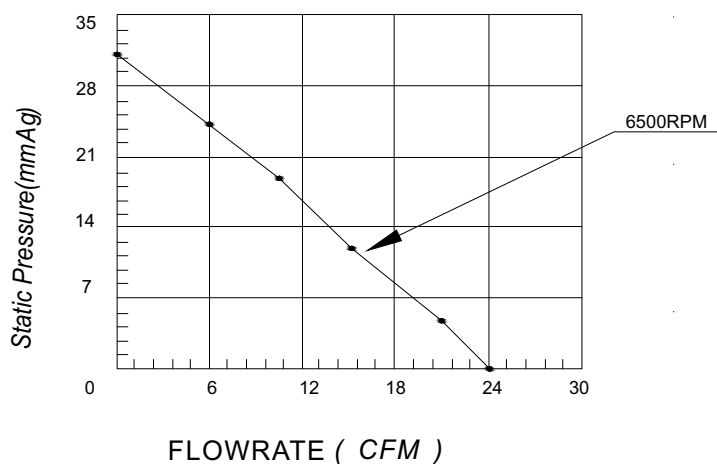
扇叶材质:塑胶:(等级:UL94V-0)

Impeller:Plastic:(Flammability:UL94V-0)

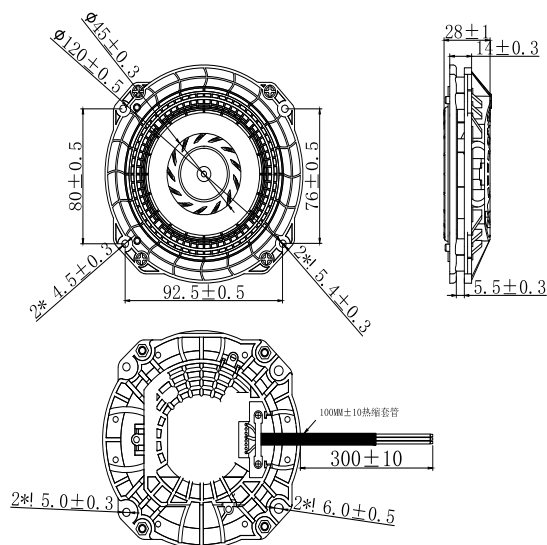
风扇单重:222g(Weight:222g)



### P@Q CURVE(AT RATEDVOLTAGE)



### DIMENSIONS DRAWING(unit:mm)



### 编码规则 Code Rule

例子 Example DCH12038H12B-DAH1701  
DCH12038H12X-AY

Model No. is DCH12038H12X; Extro P/N code is AY

X means bearing type, can be S(sleeve bearing), can be B(ball bearing), can be Y(HY bearing), can be SU(sleeve with UL), can be BU(ball with UL), can be YU(HY with UL)

Y means special function code, it will be used for a certain parts no. or client.

产品型号 DCH12038H12X;附加代码 AY. X是一个不确定值,它代表了不同的轴承类型,

S(含油轴承),B(滚珠轴承),Y(液压轴承),SU(含油轴承带UL),BU(滚珠轴承带UL),YU(液压轴承带UL)

Y是一个不确定的值,它代表不同特殊风机功能,由具体客户或者料号来确定

Model	P/N Code	Rated Voltage	Operating Voltage Range	Rated Current	Rated Input Power	Speed	Maximum Air Flow		Maximum Air Pressure		Noise
型号	P/N 附加码	额定电压	工作电压范围	额定电流	额定输入功率	转速	最大风量		最大风压		噪音
PART.NO.	AY	VDC	VDC	Amp	Watt	R.P.M	M³/min	CFM	mmH2O	InH2O	dB-A
CA12028H12B			12	6~13	0.7	8.4	6500	0.71	24.93	31.1	1.23



TKFAN®

EBM  
C US RoHS

# DC Centrifugal FAN Ø120x54mm-A Type

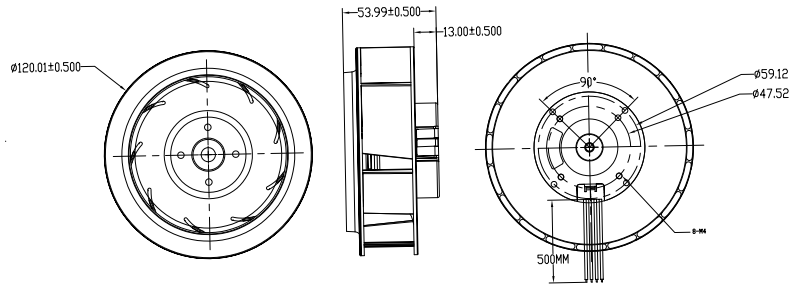
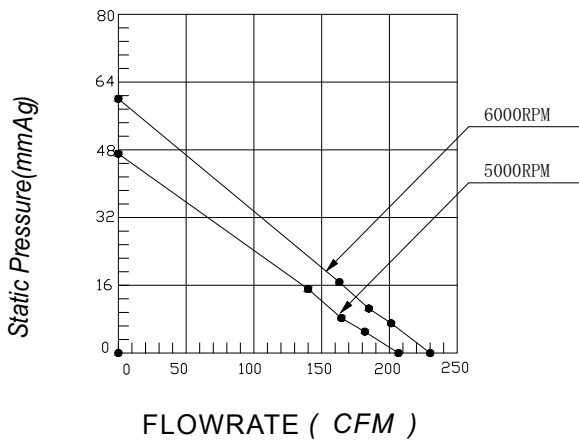
版次 Version 2022-12-7



轴承结构：双滚珠  
 Bearing: Two ball  
 框外材质: 铝(等级:UL94V-0)  
 Frame: Aluminum(Flammability:UL94V-0)  
 扇叶材质: 塑胶:(等级:UL94V-0)  
 Impeller: Plastic:(Flammability:UL94V-0)  
 风扇单重: 315g(Weight: 315g)

## P@Q CURVE(AT RATED VOLTAGE)

## DIMENSIONS DRAWING(unit:mm)



## 编码规则 Code Rule

例子 Example DCH12038H12B-DAH1701  
DCH12038H12X-AY

Model No. is DCH12038H12X; Extro P/N code is AY  
 X means bearing type, can be S(sleeve bearing), can be B(ball bearing), can be Y(HY bearing), can be SU(sleeve with UL), can be BU(ball with UL), can be YU(HY with UL)  
 Y means special function code, it will be used for a certain parts no. or client.  
 产品型号 DCH12038H12X; 附加代码 AY. X是一个不确定值, 它代表了不同的轴承类型,  
 S(含油轴承), B(滚珠轴承), Y(液压轴承), SU(含油轴承带UL), BU(滚珠轴承带UL), YU(液压轴承带UL)  
 Y是一个不确定的值, 它代表不同特殊风机功能, 由具体客户或者料号来确定

Model	P/N Code	Rated Voltage	Operating Voltage Range	Rated Current	Rated Input Power	Speed	Maximum Air Flow		Maximum Air Pressure		Noise
型号	P/N 附加码	额定电压	工作电压范围	额定电流	额定输入功率	转速	最大风量		最大风压		噪音
PART.NO.	AY	VDC	VDC	Amp	Watt	R.P.M	M³/min	CFM	mmH2O	InH2O	dB-A
CA12051M12X		12	7.5~13.5	3.2	37.5	5000	5.85	206.7	47.1	1.86	69.0
CA12051H12X		12	7.5~13.5	5.6	67.2	6000	6.51	230.1	60.0	2.36	74.9
CA12051M24X		24	17.5~26.5	1.6	37.5	5000	5.85	206.7	47.1	1.86	69.0
CA12051H24X		24	17.5~26.5	2.8	67.2	6000	6.51	230.1	60.0	2.36	74.9
CA12051M48X		48	36~54	0.8	37.5	5000	5.85	206.7	47.1	1.86	69.0
CA12051H48X	48	36~54	1.4	67.2	6000	6.51	230.1	60.0	2.36	74.9	



TKFAN®

EB  
C US CE RoHS

# DC Centrifugal FAN ø138x35mm-A Type

版次 Version 2023-2-9

轴承结构: 双滚珠

Bearing: Two ball

框外材质: 塑胶(等级 :UL 94V-0)

Frame:Plastic (Flammability: UL 94V-0)

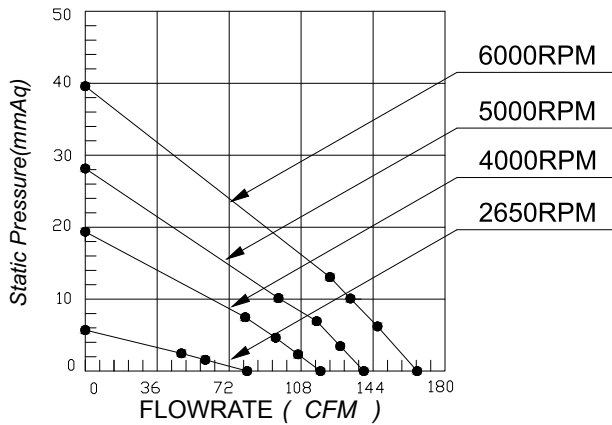
扇叶材质:塑胶、铝 :(等级:UL 94V-0)

Impeller:Plastic 、Aluminum :(Flammability: UL 94V-0)

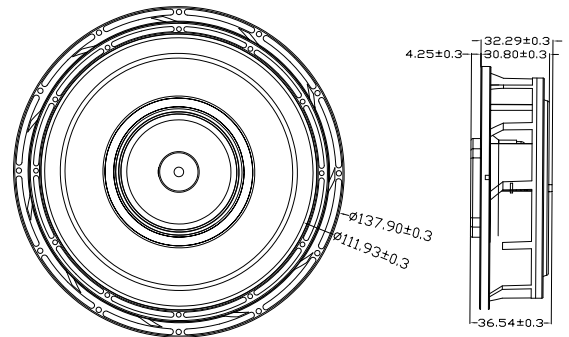
风扇单重: 305g(Weight:305g)



## P@Q CURVE (AT RATED VOLTAGE )



## DIMENSIONS DRAWING (unit:mm)



UNIT:  $\frac{mm}{(INCH)}$

## 编码规则 Code Rule

例子 Example DCH 12038H12 B-DAH 1701  
DCH 12038H12 X-AY

Model No. is DCH12038H12 X; Extro P/N code is AY

X means bearing type, can be S (sleeve bearing), can be B (ball bearing), can be Y (HY bearing), can be SU (sleeve with UL), can be BU (ball with UL), can be YU (HY with UL)

Y means special function code, it will be used for a certain parts no. or client.

产品型号 DCH12038H12 X; 附加代码 AY. X 是一个不确定值, 它代表了不同的轴承类型,

S (含油轴承), B (滚珠轴承), Y (液压轴承), SU (含油轴承带UL), BU (滚珠轴承带UL), YU (液压轴承带UL)

Y 是一个不确定的值, 它代表不同特殊风机功能, 由具体客户或者料号来确定

Model	P/N Code	Rated Voltage	Operating Voltage Range	Rated Current	Rated Input Power	Speed	Maximum Air Flow		Maximum Air Pressure		Noise
型号	P/N 附加码	额定电压	工作电压范围	额定电流	额定输入功率	转速	最大风量	最大风压	最大风量	最大风压	噪音
PART.NO.	AY	VDC	VDC	Amp	Watt	R.P.M	M³/min	CFM	mmH2O	InH2O	dB-A
CA13835H12X		12	7.5 ~13.5	0.42	5.04	2650	2.29	81.0	5.7	0.22	50.6
CA13835HH12X		12	7.5 ~13.5	1.2	14.4	4000	3.33	117.7	19.4	0.76	64.9
CA13835HV12X		12	7.5 ~13.5	2.4	28.8	5000	3.95	139.4	28.1	1.11	69.7
CA13835VH12X		12	7.5 ~13.5	3.8	45.6	6000	4.7	166.0	39.6	1.56	75.3
CA13835H24X		24	18 ~26.5	0.21	5.04	2650	2.29	81.0	5.7	0.22	50.6
CA13835HH24X		24	18 ~26.5	0.6	14.4	4000	3.33	117.7	19.4	0.76	64.9
CA13835HV24X		24	18 ~26.5	1.2	28.8	5000	3.95	139.4	28.1	1.11	69.7
CA13835VH24X		24	18 ~26.5	1.9	45.6	6000	4.7	166.0	39.6	1.56	75.3
CA13835H48X		48	36 ~54	0.11	5.04	2650	2.29	81.0	5.7	0.22	50.6
CA13835HH48X		48	36 ~54	0.3	14.4	4000	3.33	117.7	19.4	0.76	64.9
CA13835HV48X		48	36 ~54	0.6	28.8	5000	3.95	139.4	28.1	1.11	69.7
CA13835VH48X		48	36 ~54	0.95	45.6	6000	4.7	166.0	39.6	1.56	75.3



TKFAN®

UL US CE RoHS

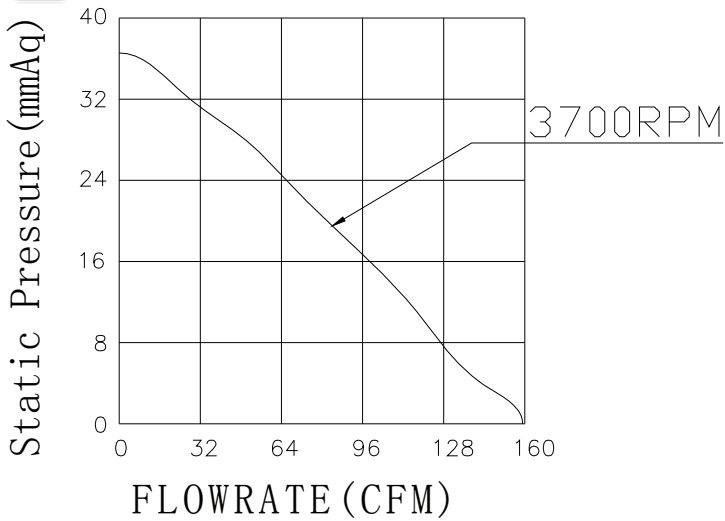
# DC Centrifugal FAN ø150x35-A Type

版次Version 2020-7-24

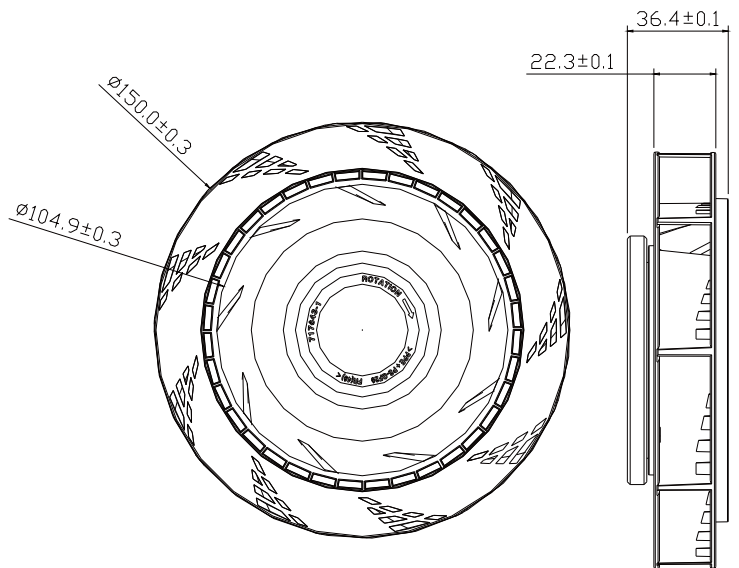
- 轴承结构：双滚珠
- Bearing: two ball
- 框外材质: 塑胶(等级:UL94V-0)
- Frame:Plastic(Flammability:UL94V-0)
- 扇叶材质:塑胶:(等级:UL94V-0)
- Impeller:Plastic:(Flammability:UL94V-0)
- 风扇单重:353g(Weight:353g)



## P@Q CURVE(AT RATEDVOLTAGE)



## DIMENSIONS DRAWING(unit:mm)



## 编码规则 Code Rule

例子 Example DCH12038H12B-A1701  
DCH12038H12X-AY

Model No. is DCH12038H12X; Extro P/N code is AY  
 X means bearing type, can be S(sleeve bearing), can be B(ball bearing), can be Y(HY bearing), can be SU(sleeve with UL), can be BU(ball with UL), can be YU(HY with UL)  
 Y means special function code, it will be used for a certain parts no. or client.  
 产品型号 DCH12038H12X;附加代码 AY. X是一个不确定值,它代表了不同的轴承类型,  
 S(含油轴承),B(滚珠轴承),Y(液压轴承),SU(含油轴承带UL),BU(滚珠轴承带UL),YU(液压轴承带UL)  
 Y是一个不确定的值,它代表不同特殊风机功能,由具体客户或者料号来确定

Model	P/N Code	Rated Voltage	Operating Voltage Range	Rated Current	Rated Input Power	Speed	Maximum Air Flow		Maximum Air Pressure		Noise
型号	P/N 附加码	额定电压	工作电压范围	额定电流	额定输入功率	转速	最大风量		最大风压		噪音
PART.NO.	AY	VDC	VDC	Amp	Watt	R.P.M	M³/min	CFM	mmH2O	InH2O	dB-A
CA15035HV24X		24	18~26.5	0.77	18.48	3700	4.504	159.15	36.56	1.439	64.3
CA15035HV48X		48	36~54	0.385	18.48	3700	4.504	159.15	36.56	1.439	64.3



TKFAN®

UL US CE RoHS

# DC Centrifugal FAN Ø150x69mm-A Type

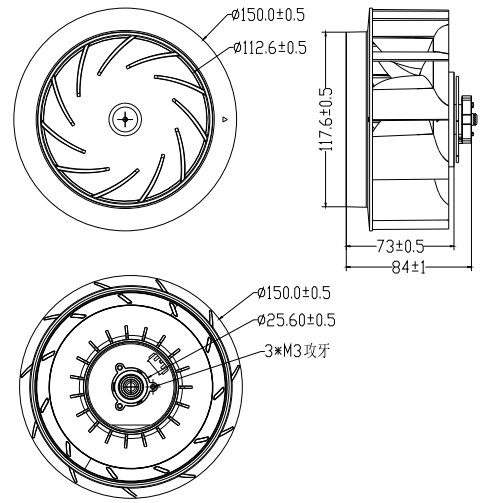
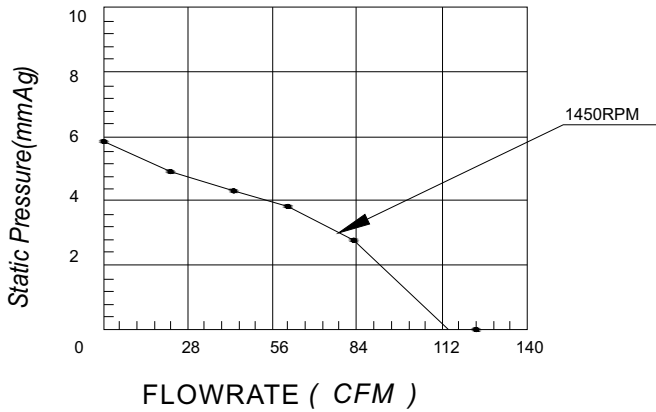
版次 Version 2024-7-1



轴承结构：双滚珠  
 Bearing: Two ball  
 框外材质: 铝(等级:UL94V-0)  
 Frame: Aluminum(Flammability:UL94V-0)  
 扇叶材质: 塑胶(等级:UL94V-0)  
 Impeller: Plastic(Flammability:UL94V-0)  
 风扇单重: 343 g(Weight: 343g)

## P@Q CURVE(AT RATEDVOLTAGE)

## DIMENSIONS DRAWING(unit:mm)



## 编码规则 Code Rule

例子 Example DCH12038H12B-DAH1701  
 DCH12038H12X-AY

Model No. is DCH12038H12X; Extro P/N code is AY  
 X means bearing type, can be S(sleeve bearing), can be B(ball bearing), can be Y(HY bearing), can be SU(sleeve with UL), can be BU(ball with UL), can be YU(HY with UL)  
 Y means special function code, it will be used for a certain parts no. or client.  
 产品型号 DCH12038H12X;附加代码 AY. X是一个不确定值,它代表了不同的轴承类型,  
 S(含油轴承),B(滚珠轴承),Y(液压轴承),SU(含油轴承带UL),BU(滚珠轴承带UL),YU(液压轴承带UL)  
 Y是一个不确定的值,它代表不同特殊风机功能,由具体客户或者料号来确定

Model	P/N Code	Rated Voltage	Operating Voltage Range	Rated Current	Rated Input Power	Speed	Maximum Air Flow		Maximum Air Pressure		Noise
型号	P/N 附加码	额定电压	工作电压范围	额定电流	额定输入功率	转速	最大风量		最大风压		噪音
PART.NO.	AY	VDC	VDC	Amp	Watt	R.P.M	M³/min	CFM	mmH2O	InH2O	dB-A
CA15069H24X		24	12~26	0.23	5.52	1450	3.53	124.77	5.95	0.23	41.8



TKFAN®

UL US CE RoHS

# DC Centrifugal FAN Ø160x45mm-A Type

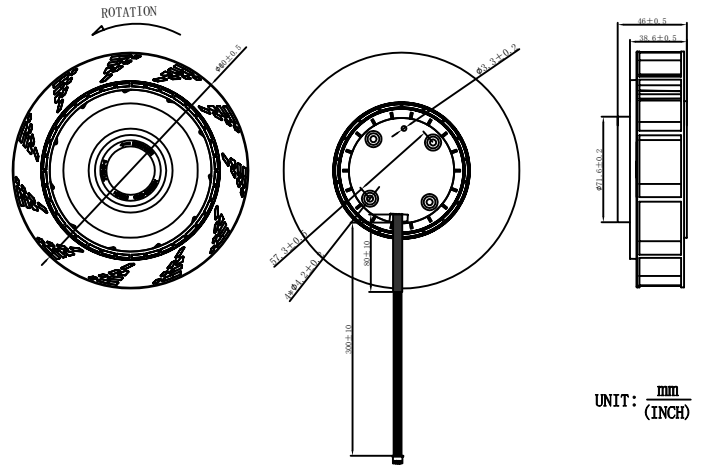
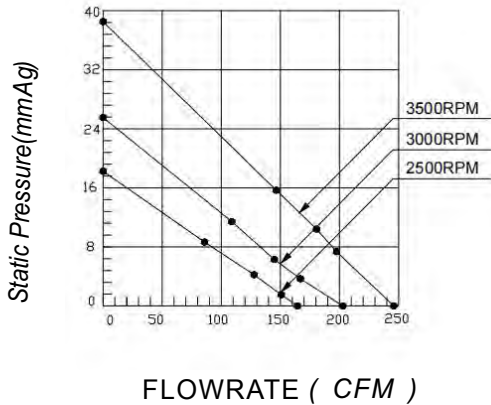
版次 Version 2023-4-4



轴承结构：滚珠  
 Bearing: Ball  
 框外材质: 铝(等级:UL94V-0)  
 Frame: Aluminum(Flammability:UL94V-0 )  
 扇叶材质: 塑胶:(等级:UL94V-0)  
 Impeller: Plastic:(Flammability:UL94V-0)  
 风扇单重:400g(Weight:400g)

## P@Q CURVE(AT RATED VOLTAGE)

## DIMENSIONS DRAWING(unit:mm)



## 编码规则 Code Rule

例子 Example DCH12038H12B-DAH1701  
 DCH12038H12X-AY

Model No. is DCH12038H12X; Extro P/N code is AY  
 X means bearing type, can be S(sleeve bearing), can be B(ball bearing), can be Y(HY bearing), can be SU(sleeve with UL), can be BU(ball with UL), can be YU(HY with UL)  
 Y means special function code, it will be used for a certain parts no. or client.  
 产品型号 DCH12038H12X;附加代码 AY. X是一个不确定值,它代表了不同的轴承类型,  
 S(含油轴承),B(滚珠轴承),Y(液压轴承),SU(含油轴承带UL),BU(滚珠轴承带UL),YU(液压轴承带UL)  
 Y是一个不确定的值,它代表不同特殊风机功能,由具体客户或者料号来确定

Model	P/N Code	Rated Voltage	Operating Voltage Range	Rated Current	Rated Input Power	Speed	Maximum Air Flow		Maximum Air Pressure		Noise
型号	P/N 附加码	额定电压	工作电压范围	额定电流	额定输入功率	转速	最大风量		最大风压		噪音
PART.NO.	AY	VDC	VDC	Amp	Watt	R.P.M	M³/min	CFM	mmH2O	InH2O	dB-A
CA16045L12X		12	7.5~13.5	1.3	15.6	2500	4.66	164.5	18.2	0.72	65.5
CA16045M12X		12	7.5~13.5	2.4	28.8	3000	5.74	202.8	25.5	1.00	69.0
CA16045H12X		12	7.5~13.5	3.2	38.4	3500	6.96	249.6	38.5	2.16	73.0
CA16045L24X		24	18~26.5	0.65	15.6	2500	4.66	164.5	18.2	0.72	65.5
CA16045M24X		24	18~26.5	1.2	28.8	3000	5.74	213.1	32.68	1.00	69.0
CA16045H24X		24	18~26.5	1.6	38.4	3500	6.96	249.6	54.94	2.16	73.0
CA16045L48X		48	36~54	0.33	15.6	2500	4.66	164.5	18.2	0.72	65.5
CA16045M48X		48	36~54	0.6	28.8	3000	5.74	213.1	32.68	1.00	69.0
CA16045H48X		48	36~54	0.8	38.4	3500	6.96	249.6	54.94	2.16	73.0



TKFAN®

UL US CE RoHS

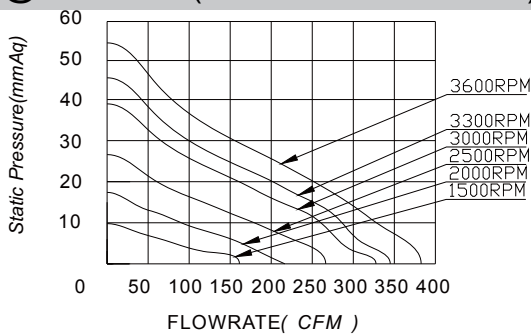
# DC Centrifugal FAN ø175x69mm-A Type

版次Version 2019-12-17

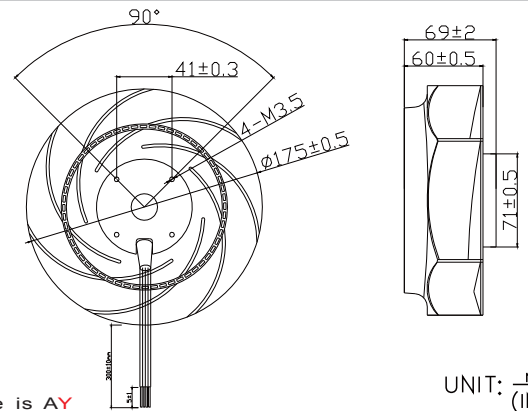
轴承结构：双滚珠  
 Bearing: two ball  
 框外材质: 铝(等级:UL94V-0)  
 Frame:Aluminum(Flammability:UL94V-0)  
 扇叶材质:塑胶:(等级:UL94V-0)  
 Impeller:Plastic:(Flammability:UL94V-0)  
 风扇单重:800g(Weight:800g)



## P@Q CURVE(AT RATEDVOLTAGE)



## DIMENSIONS DRAWING(unit:mm)



UNIT: mm / (INCH)

## 编码规则 Code Rule

例子 Example DCH12038H12B-DAH1701  
 DCH12038H12X-AY

Model No. is DCH12038H12X; Extro P/N code is AY

X means bearing type, can be S(sleeve bearing), can be B(ball bearing), can be Y(HY bearing), can be SU(sleeve with UL), can be BU(ball with UL), can be YU(HY with UL)

Y means special function code, it will be used for a certain parts no. or client.

产品型号 DCH12038H12X;附加代码 AY. X是一个不确定值,它代表了不同的轴承类型,

S(含油轴承),B(滚珠轴承),Y(液压轴承),SU(含油轴承带UL),BU(滚珠轴承带UL),YU(液压轴承带UL)

Y是一个不确定的值,它代表不同特殊风机功能,由具体客户或者料号来确定

Model	P/N Code	Rated Voltage	Operating Voltage Range	Rated Current	Rated Input Power	Speed	Maximum Air Flow		Maximum Air Pressure		Noise
型号	P/N 附加码	额定电压	工作电压范围	额定电流	额定输入功率	转速	最大风量		最大风压		噪音
PART.NO.		VDC	VDC	Amp	Watt	R.P.M	M³/min	CFM	mmH2O	InH2O	dB-A
CA17569L12X	AY	12	7.5~13.5	1.0	12	1500	4.565	161.30	9.87	0.389	41.8
CA17569M12X		12	7.5~13.5	2.0	24	2000	6.131	216.64	17.35	0.683	51.2
CA17569H12X		12	7.5~13.5	3.0	36	2500	7.538	266.35	26.6	1.047	57.2
CA17569HH12X		12	7.5~13.5	4.0	48	3000	9.271	327.6	38.95	1.533	61.2
CA17569VH12X		12	7.5~13.5	5.0	60	3300	9.782	345.68	45.28	1.783	64.1
CA17569HV12X		12	7.5~13.5	6.0	72	3600	10.83	382.75	53.8	2.118	65.8
CA17569L24X		24	18~26.5	0.5	12	1500	4.565	161.30	9.87	0.389	41.8
CA17569M24X		24	18~26.5	1	24	2000	6.131	216.64	17.35	0.683	51.2
CA17569H24X		24	18~26.5	1.5	36	2500	7.538	266.35	26.6	1.047	57.2
CA17569HH24X		24	18~26.5	2	48	3000	9.271	327.6	38.95	1.533	61.2
CA17569VH24X		24	18~26.5	2.5	60	3300	9.782	345.68	45.28	1.783	64.1
CA17569HV24X		24	18~26.5	3	72	3600	10.83	382.75	53.8	2.118	65.8
CA17569L48X		48	36~54	0.25	12	1500	4.565	161.30	9.87	0.389	41.8
CA17569M48X		48	36~54	0.5	24	2000	6.131	216.64	17.35	0.683	51.2
CA17569H48X		48	36~54	0.75	36	2500	7.538	266.35	26.6	1.047	57.2
CA17569HH48X		48	36~54	1.0	48	3000	9.271	327.6	38.95	1.533	61.2
CA17569VH48X		48	36~54	1.25	60	3300	9.782	345.68	45.28	1.783	64.1
CA17569HV48X		48	36~54	1.5	72	3600	10.83	382.75	53.8	2.118	65.8



TKFAN®

sy  
C **UL** US **CE** RoHS

# DC Centrifugal FAN Ø175x69mm-BType

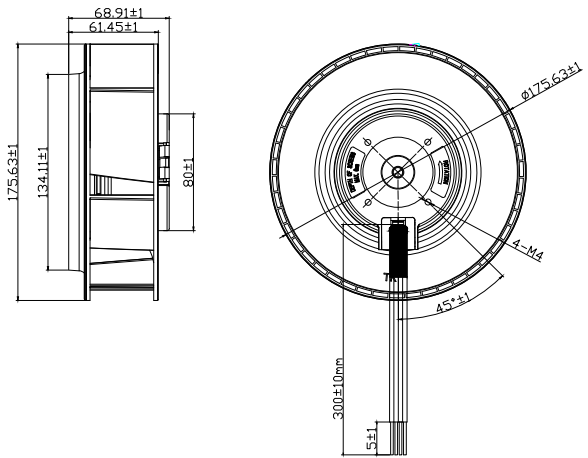
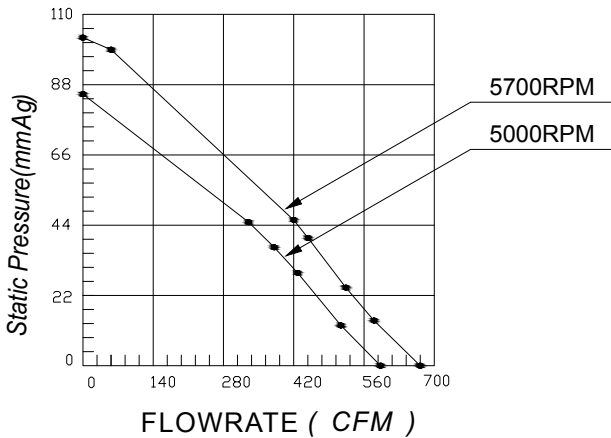
版次 Version 2023-8-1

- 轴承结构：双滚珠
- Bearing: Two ball
- 框外材质: 铝:(等级:UL94V-0)
- Frame:Aluminum(Flammability:UL94V-0)
- 扇叶材质:塑胶:(等级:UL94V-0)
- Impeller:Plastic:(Flammability:UL94V-0)
- 风扇单重:800g(Weight:800g)



## P@QCURVE(AT RATEDVOLTAGE)

## DIMENSIONS DRAWING(unit:mm)



## 编码规则 Code Rule

UNIT:  $\frac{mm}{(INCH)}$

例子 Example DCH12038H12B-DAH1701  
DCH12038H12X-AY

Model No. is DCH12038H12X; Extro P/N code is AY  
 X means bearing type, can be S(sleeve bearing), can be B(ball bearing), can be Y(HY bearing), can be SU(sleeve with UL), can be BU(ball with UL), can be YU(HY with UL)  
 Y means special function code, it will be used for a certain parts no. or client.  
 产品型号 DCH12038H12X;附加代码 AY. X是一个不确定值,它代表了不同的轴承类型,  
 S(含油轴承),B(滚珠轴承),Y(液压轴承),SU(含油轴承带UL),BU(滚珠轴承带UL),YU(液压轴承带UL)  
 Y是一个不确定的值,它代表不同特殊风机功能,由具体客户或者料号来确定

Model	P/N Code	Rated Voltage	Operating Voltage Range	Rated Current	Rated Input Power	Speed	Maximum Air Flow		Maximum Air Pressure		Noise
型号	P/N 附加码	额定电压	工作电压范围	额定电流	额定输入功率	转速	最大风量		最大风压		噪音
PART.NO.	BY	VDC	VDC	Amp	Watt	R.P.M	M³/min	CFM	mmH2O	InH2O	dB-A
CA17569VH24X		24	18~26.5	5.0	120	5000	16.7	589.7	85.7	3.38	79
CA17569HV24X		24	18~26.5	7.6	182.4	5700	18.85	666	102.1	4.02	82.9
CA17569VH48X		48	36~54	2.5	120	5000	16.7	589.7	85.7	3.38	79
CA17569HV48X	48	36~54	3.8	182.4	5700	18.85	666	102.1	4.02	82.9	



TKFAN®

UL US CE RoHS

# DC Centrifugal FAN ø221x71mm-A Type

版次Version 2019-12-17

轴承结构：双滚珠

Bearing: two ball, sleeve, HY, other

框外材质: 塑胶(等级:UL94V-0)

Frame:Plastic(Flammability:UL94V-0)

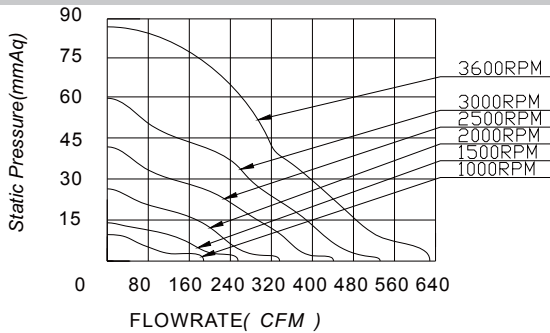
扇叶材质:塑胶:(等级:UL94V-0)

Impeller:Plastic:(Flammability:UL94V-0)

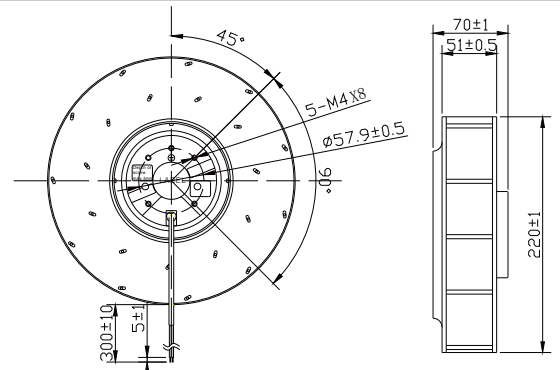
风扇单重:1570g(Weight:1570g)



## P@Q CURVE(AT RATEDVOLTAGE)



## DIMENSIONS DRAWING(unit:mm)



UNIT: mm / (INCH)

## 编码规则 Code Rule

例子 Example DCH12038H12B-DAH1701  
DCH12038H12X-AY

Model No. is DCH12038H12X; Extro P/N code is AY

X means bearing type, can be S(sleeve bearing), can be B(ball bearing), can be Y(HY bearing), can be SU(sleeve with UL), can be BU(ball with UL), can be YU(HY with UL)

Y means special function code, it will be used for a certain parts no. or client.

产品型号 DCH12038H12X; 附加代码 AY. X是一个不确定值, 它代表了不同的轴承类型,

S(含油轴承), B(滚珠轴承), Y(液压轴承), SU(含油轴承带UL), BU(滚珠轴承带UL), YU(液压轴承带UL)

Y是一个不确定的值, 它代表不同特殊风机功能, 由具体客户或者料号来确定

Model	P/N Code	Rated Voltage	Operating Voltage Range	Rated Current	Rated Input Power	Speed	Maximum Air Flow		Maximum Air Pressure		Noise
型号	P/N 附加码	额定电压	工作电压范围	额定电流	额定输入功率	转速	最大风量		最大风压		噪音
PART.NO.		VDC	VDC	Amp	Watt	R.P.M	M³/min	CFM	mmH2O	InH2O	dB-A
CA22171L12X	AY	12	7.5~13.5	1.0	12	1000	5.326	188.21	9.67	0.381	53.4
CA22171M12X		12	7.5~13.5	1.8	21.6	1500	7.211	254.81	14.02	0.552	58
CA22171H12X		12	7.5~13.5	3.0	36	2000	9.842	347.79	26.43	1.041	71.1
CA22171HH12X		12	7.5~13.5	4.6	55.2	2500	12.49	441.18	41.75	1.644	76.3
CA22171VH12X		12	7.5~13.5	6.0	72	3000	15.07	532.41	59.47	2.341	80.5
CA22171HV12X		12	7.5~13.5	8.0	96	3600	17.80	628.82	85.64	3.372	83.1
CA22171L24X		24	18~26.5	0.5	12	1000	5.326	188.21	9.67	0.381	53.4
CA22171M24X		24	18~26.5	0.9	21.6	1500	7.211	254.81	14.02	0.552	58
CA22171H24X		24	18~26.5	1.5	36	2000	9.842	347.79	26.43	1.041	71.1
CA22171HH24X		24	18~26.5	2.3	55.2	2500	12.49	441.18	41.75	1.644	76.3
CA22171VH24X		24	18~26.5	3	72	3000	15.07	532.41	59.47	2.341	80.5
CA22171HV24X		24	18~26.5	4	96	3600	17.80	628.82	85.64	3.372	83.1
CA22171L48X		48	36~54	0.25	12	1000	5.326	188.21	9.67	0.381	53.4
CA22171M48X		48	36~54	0.3	21.6	1500	7.211	254.81	14.02	0.552	58
CA22171H48X		48	36~54	0.75	36	2000	9.842	347.79	26.43	1.041	71.1
CA22171HH48X		48	36~54	1.15	55.2	2500	12.49	441.18	41.75	1.644	76.3
CA22171VH48X		48	36~54	1.5	72	3000	15.07	532.41	59.47	2.341	80.5
CA22171HV48X		48	36~54	2	96	3600	17.80	628.82	85.64	3.372	83.1



TKFAN®

UL US CE RoHS

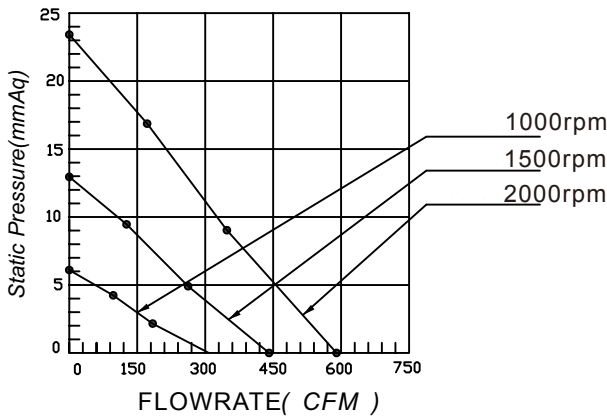
# DC Centrifugal FAN ø225x99mm-A Type

版次Version 2021-1-10

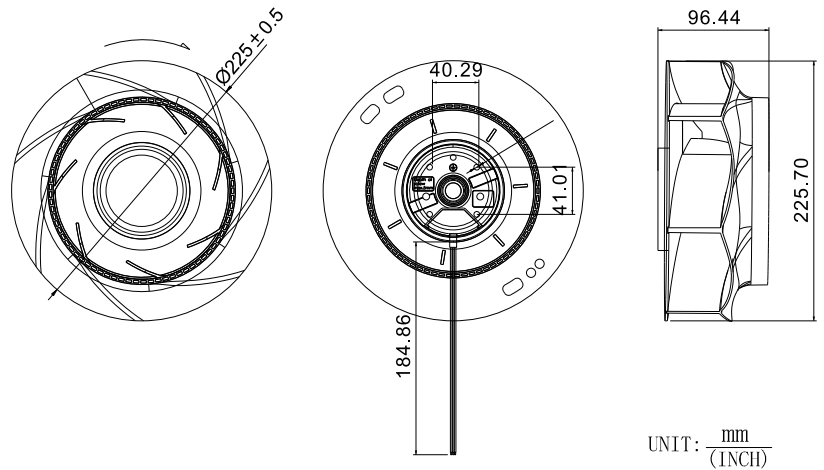
- 轴承结构：双滚珠
- Bearing: two ball
- 框外材质: 塑胶(等级:UL94V-0)
- Frame:Plastic(Flammability:UL94V-0)
- 扇叶材质:塑胶:(等级:UL94V-0)
- Impeller:Plastic:(Flammability:UL94V-0)
- 风扇单重:1125g(Weight:1125g)



## P@Q CURVE(AT RATEDVOLTAGE)



## DIMENSIONS DRAWING(unit:mm)



## 编码规则 Code Rule

例子 Example DCH12038H12B-DAH1701  
DCH12038H12X-AY

Model No. is DCH12038H12X; Extro P/N code is AY

X means bearing type, can be S(sleeve bearing), can be B(ball bearing), can be Y(HY bearing), can be SU(sleeve with UL), can be BU(ball with UL), can be YU(HY with UL)

Y means special function code, it will be used for a certain parts no. or client.

产品型号 DCH12038H12X;附加代码 AY. X是一个不确定值,它代表了不同的轴承类型,

S(含油轴承),B(滚珠轴承),Y(液压轴承),SU(含油轴承带UL),BU(滚珠轴承带UL),YU(液压轴承带UL)

Y是一个不确定的值,它代表不同特殊风机功能,由具体客户或者料号来确定

Model	P/N Code	Rated Voltage	Operating Voltage Range	Rated Current	Rated Input Power	Speed	Maximum Air Flow		Maximum Air Pressure		Noise
型号	P/N 附加码	额定电	工作电压范围	额定电流	额定输入功率	转速	最大风量		最大风压		噪音
PART.NO.	AY	VDC	VDC	Amp	Watt	R.P.M	M³/min	CFM	mmH2O	InH2O	dB-A
CA22599H12X		12	7.5~13.5	0.8	9.6	1000	8.7	308.1	6.1	0.24	51.0
CA22599HH12X		12	7.5~13.5	2	24	1500	12.5	441.0	12.9	0.51	62.0
CA22599VH12X		12	7.5~13.5	5.6	67.2	2000	16.7	590.0	23.4	0.92	69.8
CA22599H24X		24	18~26.5	0.4	9.6	1000	8.7	308.1	6.1	0.24	51.0
CA22599HH24X		24	18~26.5	1	24	1500	12.5	441.0	12.9	0.51	62.0
CA22599VH24X		24	18~26.5	2.8	67.2	2000	16.7	590.0	23.4	0.92	69.8
CA22599H48X		48	36~54	0.2	9.6	1000	8.7	308.1	6.1	0.24	51.0
CA22599HH48X		48	36~54	0.5	24	1500	12.5	441.0	12.9	0.51	62.0
CA22599VH48X		48	36~54	1.4	67.2	2000	16.7	590.0	23.4	0.92	69.8

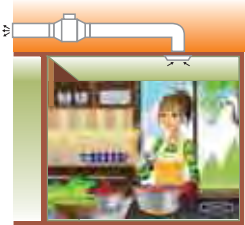


TKFAN®

C RoHS

# Application OF Inline Duct Fan

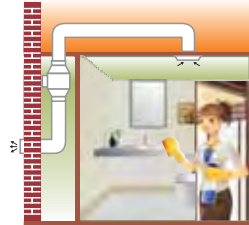
## 混流型管道风机应用场景



单口横装  
Horizontal installation  
with single diffuser



双口横装  
Horizontal installation  
with two diffusers



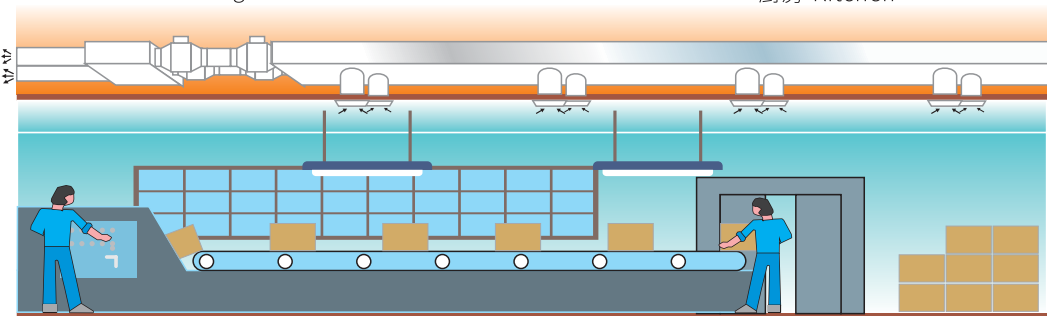
单口竖装  
Vertical installation  
with single diffuser



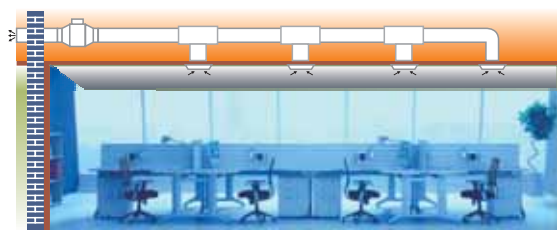
书房-Reading room



厨房-Kitchen



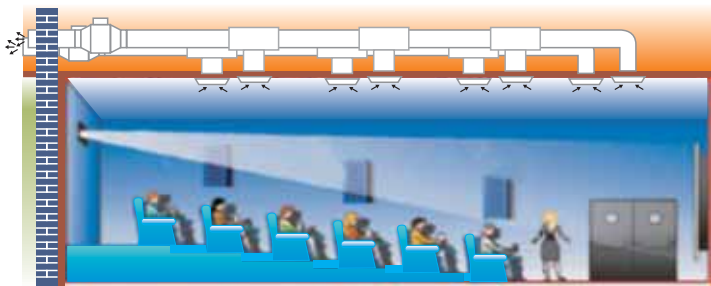
车间装备-Workshop



大型办公场所-Big office



办公，会议室-Meeting room



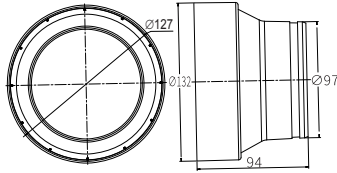
影院，娱乐场所-Movie theatre



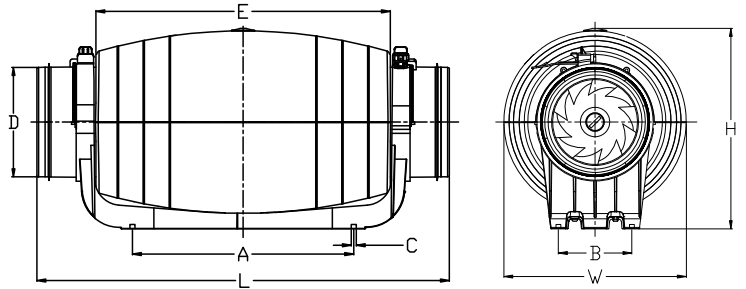
TKFAN®



**DIMENSIONS DRAWING(unit:mm)**



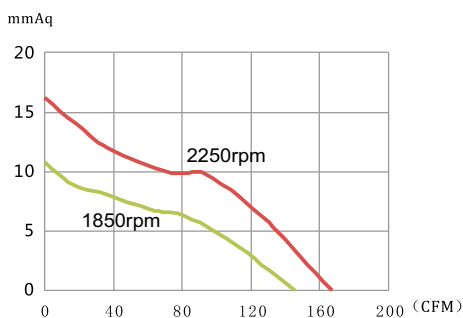
(adaptor)



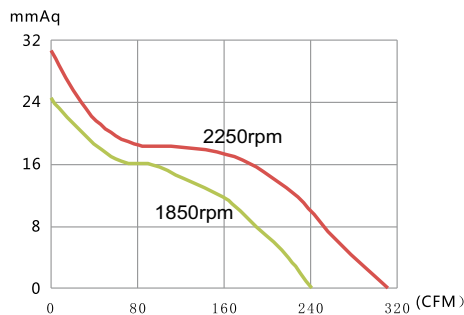
Model	P/N Code	A	B	C	ØD	E	L	W	H
PART.NO.	HDD	mm	mm	mm	mm	mm	mm	mm	mm
TK100		248	82	4-Ø5.5	97/123	330	462/580	205	225
TK125		248	82	4-Ø5.5	97/123	330	462/580	205	225
TK150		251	95	4-Ø5.3	149/158	352	488	221	244
TK200		339	128	4-Ø5.6	198	436	467	262	301

Model	P/N Code	Rated Voltage	Operating Voltage Range	Rated Current	Rated Input Power	Speed	Maximum Air Flow		Maximum Air Pressure		Noise
型号	P/N 附加码	额定电压	工作电压范围	额定电流	额定输入功率	转速	最大风量		mmH2O	In H2O	dB
PART.NO.	HDD	VAC	VAC	Amp	Watt	R.P.M	M³/min	CFM	mmH2O	InH2O	dB-A
TK100		220/50HZ	220~240	0.16	37	1850	4.1	145.95	10.809	0.426	22
		220/50HZ	220~240	0.14	33	2250	4.7	167.13	16.214	0.638	25
		220/50HZ	220~240	0.13	28	2600	5.2	182.44	18.049	0.711	29
TK125		220/50HZ	220~240	0.16	37	1850	4.1	145.95	10.809	0.426	22
		220/50HZ	220~240	0.14	33	2250	4.7	167.13	16.214	0.638	25
		220/50HZ	220~240	0.13	28	2600	5.2	182.44	18.049	0.711	29
TK150		220/50HZ	220~240	0.25	50	1850	6.8	241.28	24.473	0.964	26
		220/50HZ	220~240	0.22	46	2200	7.8	276.59	27.532	1.084	29
		220/50HZ	220~240	0.20	43	2550	8.8	311.91	30.592	1.204	31
TK200		220/50HZ	220~240	0.57	128	1950	11.5	406.07	27.940	1.100	29
		220/50HZ	220~240	0.54	125	2200	12.8	450.20	31.917	1.257	32
	220/50HZ	220~240	0.52	123	2450	14.0	494.34	35.894	1.413	35	

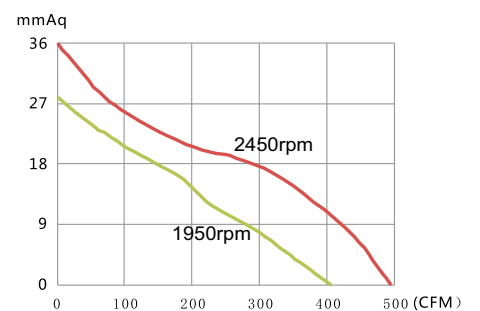
**P@Q CURVE(AT RATEDVOLTAGE)**



TK100/TK125-HDD



TK150-HDD



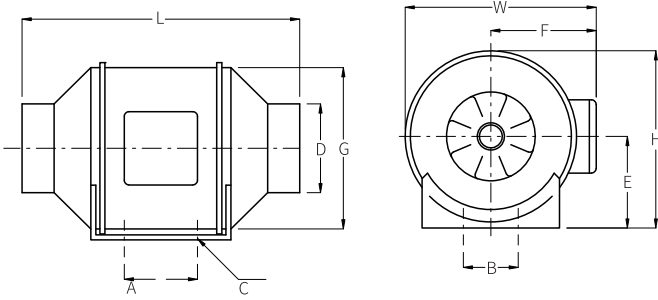
TK200-HDD



TKFAN®



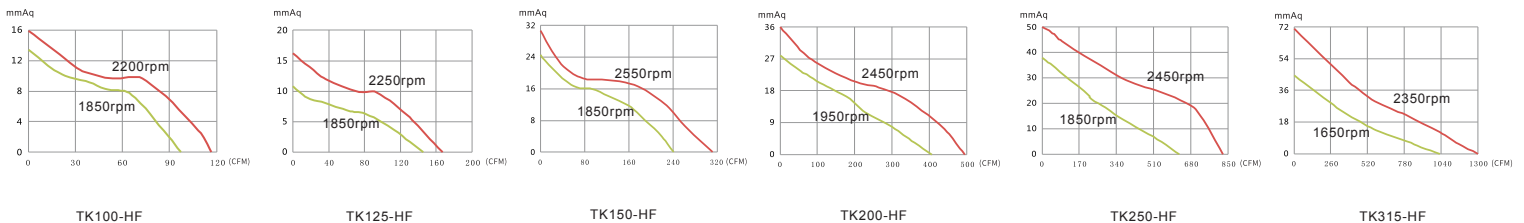
**DIMENSIONS DRAWING(unit:mm)**



Model	P/N Code	A	B	C	ØD	E	F	ØG	L	W	H
PART.NO.	HF	mm	mm	mm	mm	mm	mm	mm	mm	mm	mm
TK100		80	60	4-Ø4.5	97	99	116	163	302	204	195
TK125		80	60	4-Ø4.5	123	99	116	163	257	204	195
TK150		80	60	4-Ø5.0	147	109	127	187	313	227	208
TK200		100	94	4-Ø5.5	197	125	137	205	302	249	237
TK250		150	150	4-Ø8*11	247	150	174	261	383	310	286
TK315		181	178	4-Ø8*11	312	187	216	325	446	386	357

Model	P/N Code	Rated Voltage	Operationg Voltage Range	Rated Current	Rated Input Power	Speed	Maximum Air Flow		Maximum Air Pressure		Noise
型号	P/N 附加码	额定电压	工作电压范围	额定电流	额定输入功率	转速	最大风量		mmH2O	In H2O	dB-A
PART.NO.	HF	VAC	VAC	Amp	Watt	R.P.M	M³/min	CFM	mmH2O	InH2O	dB-A
TK100		220/50HZ	220~240	0.11	23	1850	2.8	97.10	13.358	0.526	26
		220/50HZ	220~240	0.12	26	2200	3.3	116.52	15.908	0.626	26
		220/50HZ	220~240	0.16	35	2600	4.0	141.24	19.579	0.771	31
TK125		220/50HZ	220~240	0.13	28	1850	4.1	145.95	10.809	0.426	26
		220/50HZ	220~240	0.14	33	2250	4.7	167.13	16.213	0.638	31
		220/50HZ	220~240	0.16	36	2600	5.2	182.43	18.049	0.711	35
TK150		220/50HZ	220~240	0.19	44	1850	6.8	241.28	24.473	0.964	29
		220/50HZ	220~240	0.20	48	2150	7.8	276.59	27.532	1.084	31
		220/50HZ	220~240	0.22	54	2550	8.8	311.90	30.592	1.204	33
TK200		220/50HZ	220~240	0.49	123	1950	11.5	406.07	27.940	1.100	55
		220/50HZ	220~240	0.52	125	2200	12.8	450.20	31.917	1.257	59
		220/50HZ	220~240	0.54	128	2450	14.0	494.34	35.894	1.413	63
TK250		220/50HZ	220~240	0.75	165	1850	17.7	626.16	37.832	1.189	58
	220/50HZ	220~240	0.97	195	2150	20.6	726.80	43.848	1.726	62	
	220/50HZ	220~240	1.2	225	2450	23.4	826.84	49.762	1.959	66	
TK315	220/50HZ	220~240	1.4	275	1650	29.2	1029.8	44.358	1.746	61	
	220/50HZ	220~240	1.7	333	2000	32.5	1147.5	57.512	2.264	65	
	220/50HZ	220~240	1.9	390	2350	36.8	1298.2	70.666	2.782	69	

**P@Q CURVE(AT RATEDVOLTAGE)**

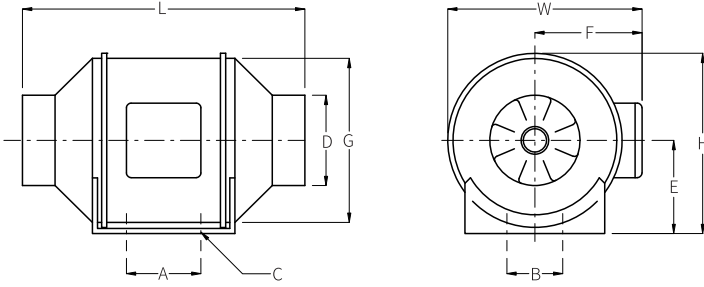




TKFAN®



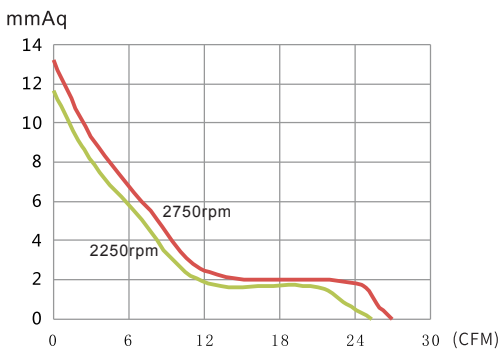
**DIMENSIONS DRAWING(unit:mm)**



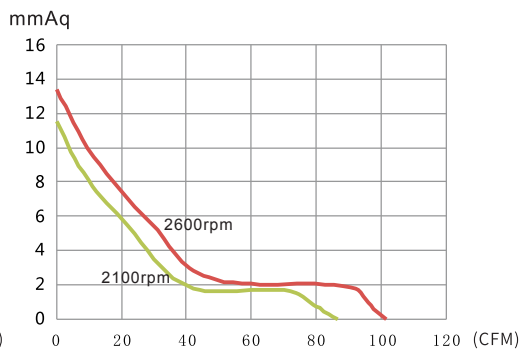
Model	P/N Code	A	B	C	ØD	E	F	ØG	L	W	H
PART.NO.	HFS	mm	mm	mm	mm	mm	mm	mm	mm	mm	mm
TK75		45	78	4-Ø4.5	73	90	102	140	291	188	160
TK100		45	78	4-Ø4.5	97	90	102	140	246	188	160
TK125		45	78	4-Ø5.0	124	90	102	140	194	188	160

Model	P/N Code	Rated Voltage	Operating Voltage Range	Rated Current	Rated Input Power	Speed	Maximum Air Flow		Maximum Air Pressure		Noise
型号	P/N 附加码	额定电压	工作电压范围	额定电流	额定输入功率	转速	最大风量		mmH2O	In H2O	dB-A
PART.NO.	HFS	VAC	VAC	Amp	Watt	R.P.M	M³/min	CFM	mmH2O	InH2O	dB-A
TK75		220/50HZ	220~240	0.12	16	2250	0.71	25.31	11.625	0.458	21
		220/50HZ	220~240	0.27	30	2750	0.77	27.07	13.154	0.518	26
TK100		220/50HZ	220~240	0.15	20	2100	2.22	78.27	10.707	0.422	26
		220/50HZ	220~240	0.26	35	2600	2.83	100.05	12.746	0.502	31
TK125		220/50HZ	220~240	0.17	20	2100	3.02	106.52	11.727	0.462	26
	220/50HZ	220~240	0.28	35	2600	3.63	128.29	14.276	0.562	31	

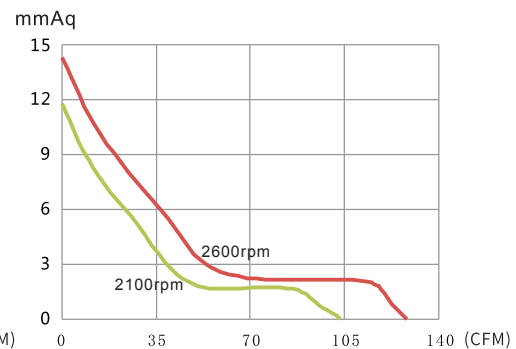
**P@Q CURVE(AT RATED VOLTAGE)**



TK75-HFS



TK100-HFS



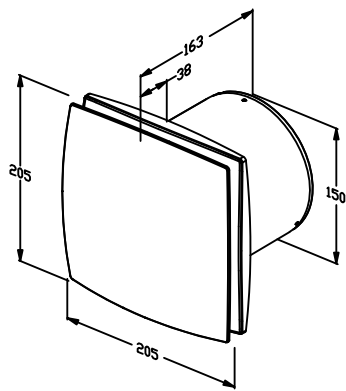
TK125-HFS



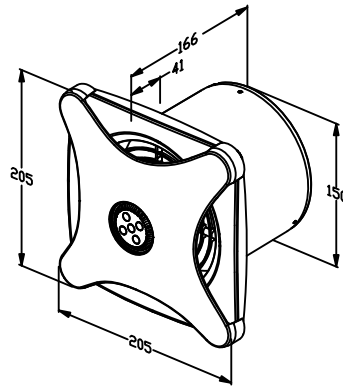
TKFAN®



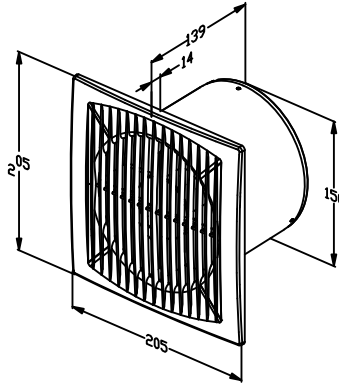
**DIMENSIONS DRAWING(unit:mm)**



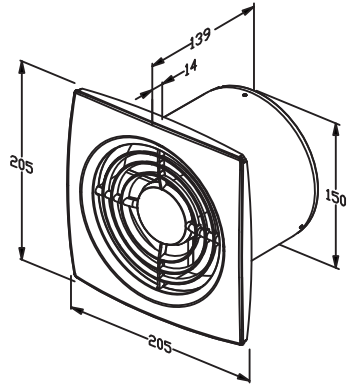
TK150A



TK150B



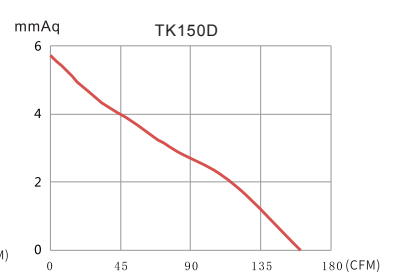
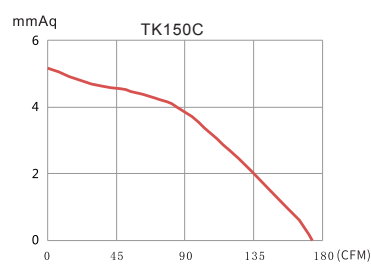
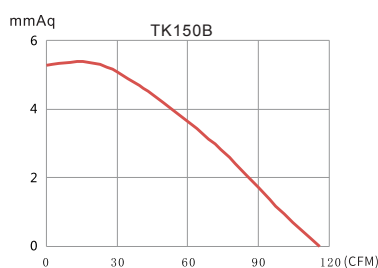
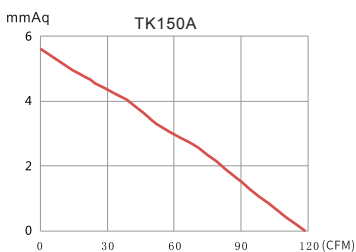
TK150C



TK150D

Model	P/N Code	Rated Voltage	Operating Voltage Range	Rated Current	Rated Input Power	Speed	Maximum Air Flow		Maximum Air Pressure		Weight
型号	P/N 附加码	额定电压	工作电压范围	额定电流	额定输入功率	转速	最大风量		mmH2O	In H2O	^ .
PART.NO.	HGA	VAC	VAC	Amp	Watt	R.P.M	M³/min	CFM	mmH2O	InH2O	kg
TK150A		220/50HZ	220~240	0.17	22	2350	3.35	118.29	5.608	0.221	1.0
		115/60HZ	100~120	0.40	28	2350	3.35	118.29	5.608	0.221	
TK150B		220/50HZ	220~240	0.19	28	2350	3.28	115.93	5.303	0.209	1.1
		115/60HZ	100~120	0.44	31	2350	3.28	115.98	5.303	0.209	
TK150C		220/50HZ	220~240	0.17	22	2350	4.92	173.61	5.201	0.205	1.0
		115/60HZ	100~120	0.40	25	2350	4.92	173.61	5.201	0.205	
TK150D		220/50HZ	220~240	0.17	22	2350	4.53	160.07	5.710	0.225	0.9
	115/60HZ	100~120	0.40	25	2350	4.53	160.07	5.710	0.225		

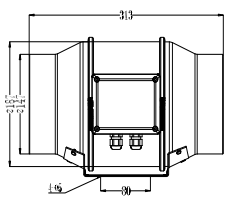
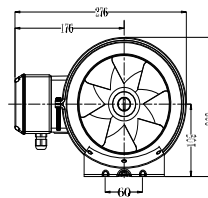
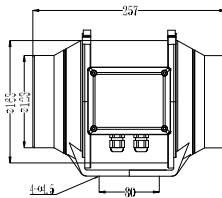
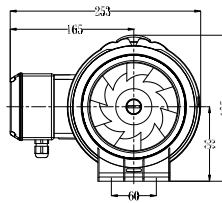
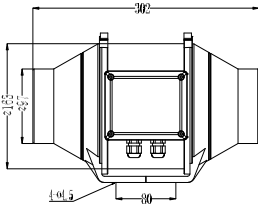
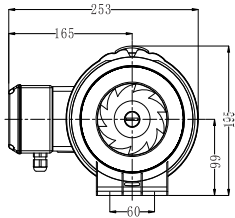
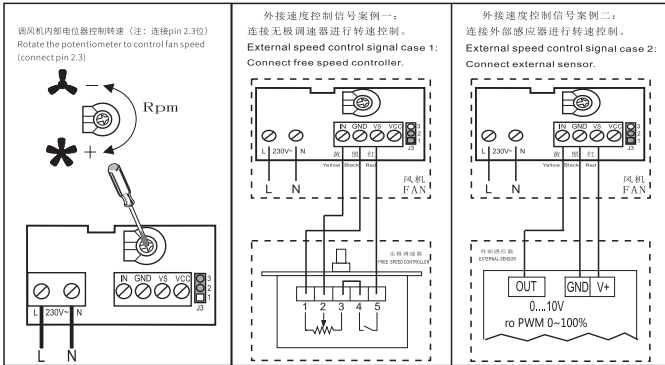
**P@Q CURVE(AT RATEDVOLTAGE)**





TKFAN®

**DIMENSIONS DRAWING(unit:mm)**



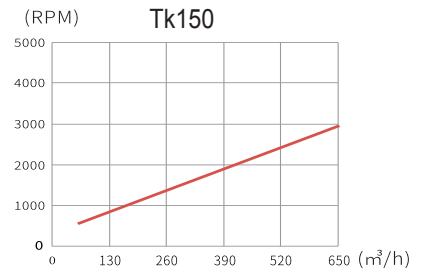
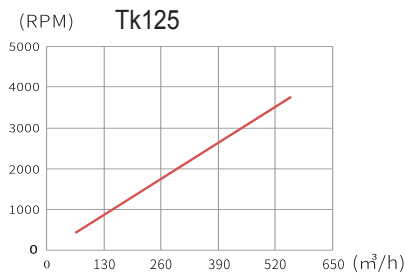
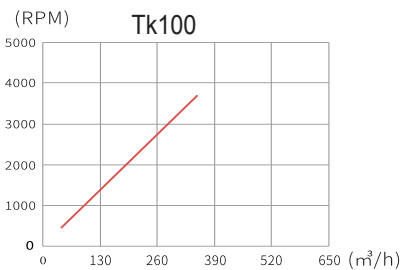
TK100

TK125

TK150

Model	P/N Code	Rated Voltage	Operating Voltage Range	Rated Current	Speed	Maximum Air Flow		Maximum Air Pressure		Weight
						M <sup>3</sup> /min	CFM	mmH2O	In H2O	
型号	P/N 附加码	额定电压	工作电压范围	额定电流	转速	最大风量		mmH2O	In H2O	千克
PART.NO.	HFPE	VAC	VAC	Amp	R.P.M	M <sup>3</sup> /min	CFM	mmH2O	InH2OH2O	kg
TK100		100~240	100~240	0.05~0.98	500~3800	0.75~5.98	26.48~211.2	0.76~36.8	0.030~1.44	1.7
TK125		100~240	100~240	0.05~1.03	500~3800	1.05~8.95	37.08~316.0	0.81~38.5	0.032~1.51	1.7
TK150		100~240	100~240	0.07~1.03	300~3000	1.03~10.8	36.49~382.5	0.42~66.2	0.016~260	3.0

**P@Q CURVE(AT RATEDVOLTAGE)**



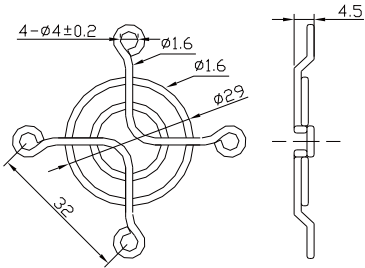


TKFAN®

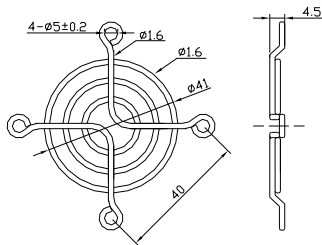
UL US CE RoHS

# Metal Grid/金属防护网

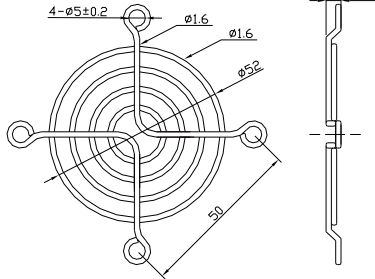
M40-01



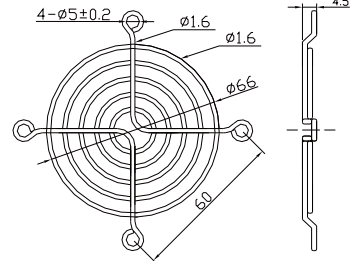
M50-01



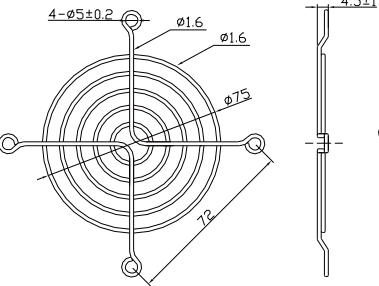
M60-01



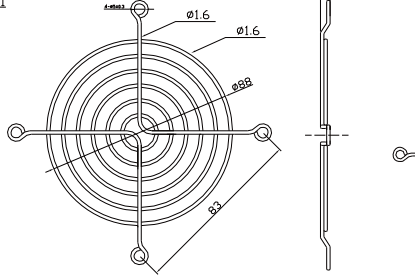
M70-01



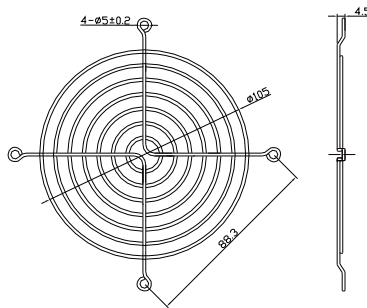
M80-01



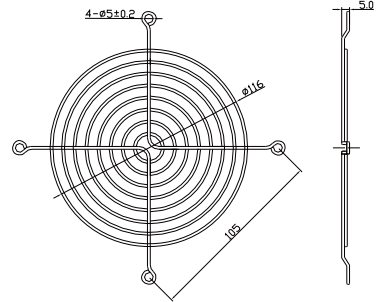
M92-01



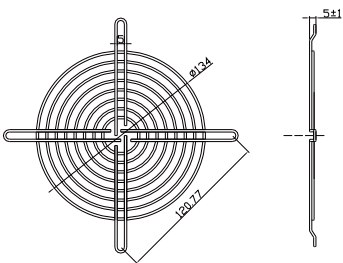
M110-01



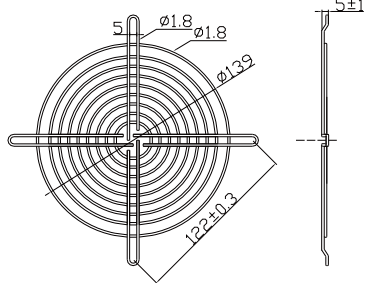
M120-01



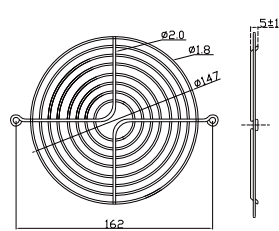
M135-01



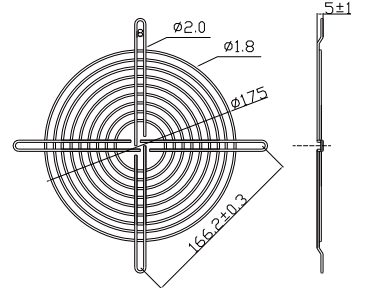
M150-01



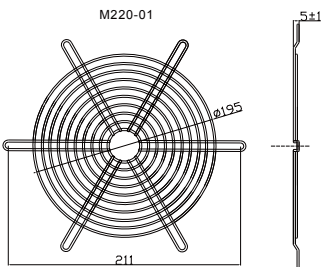
M172-01



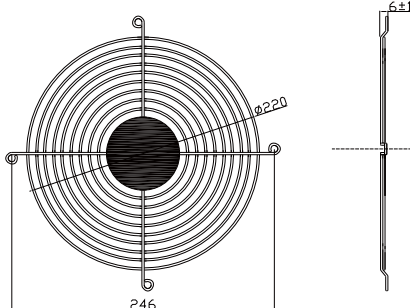
M200-01



M220-01



M254-01

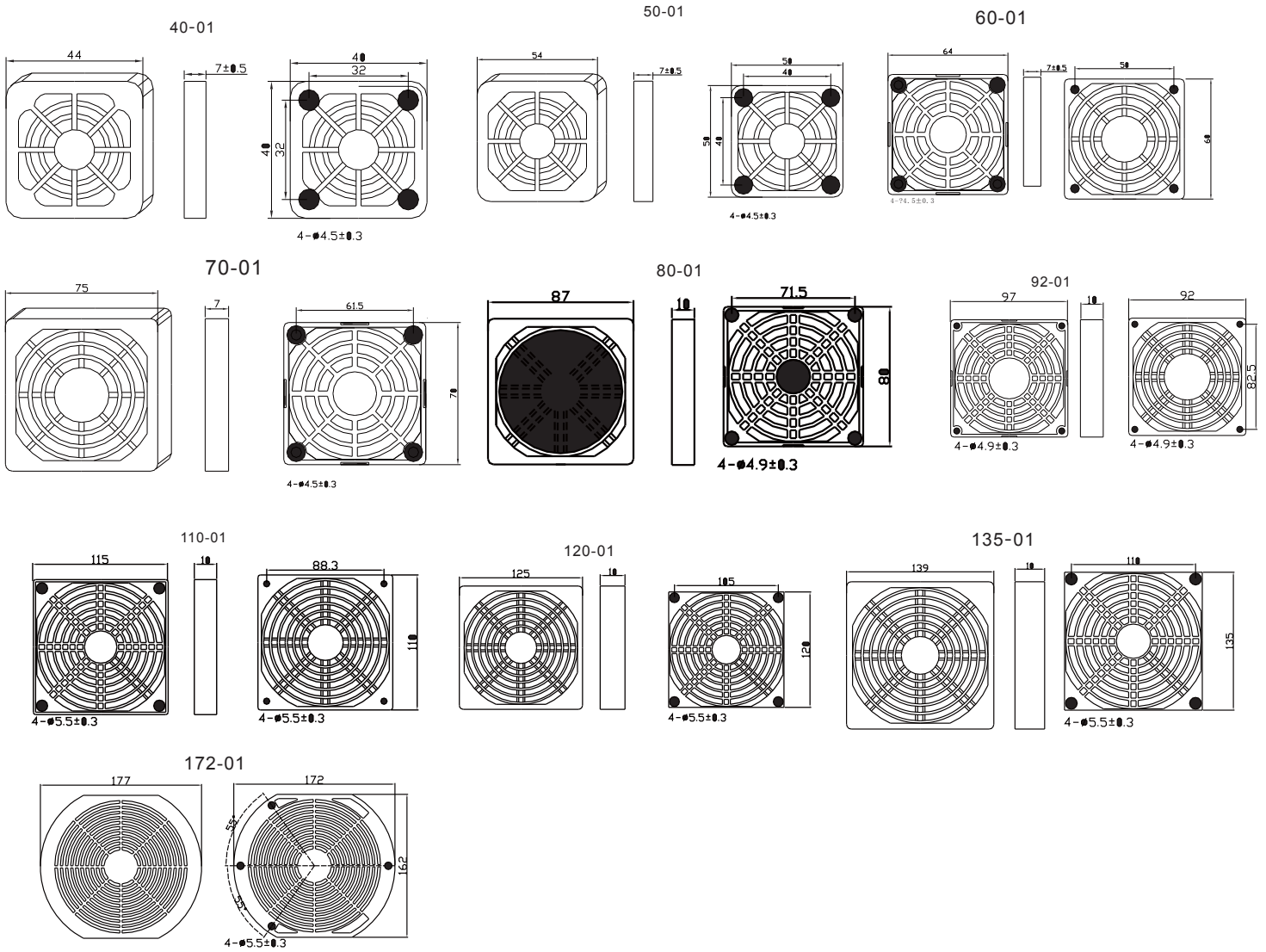




TKFAN<sup>®</sup>

UL<sup>®</sup> US CE RoHS

# Plastic Grid/ “d 0” 伞俐





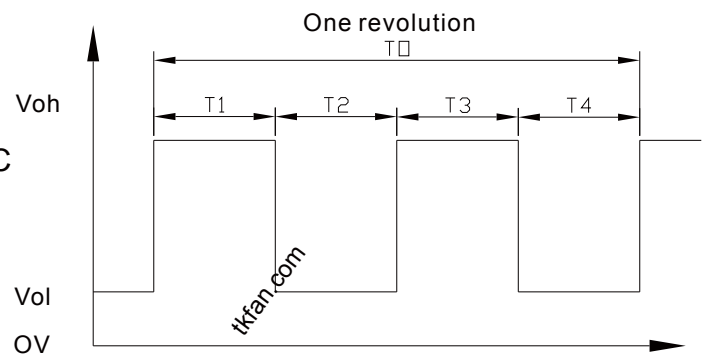
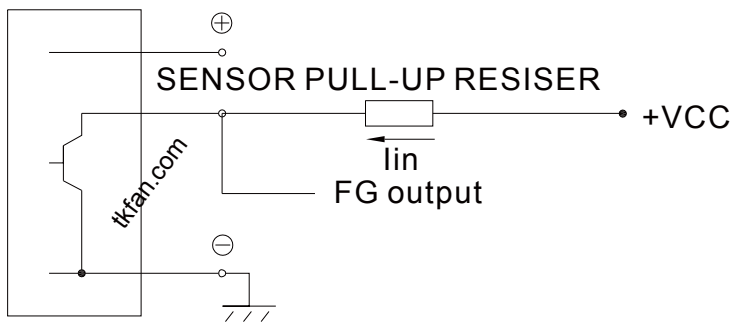
# FG and RD Function Introduction

## FG (Tach output type) Connection Diagram

Fan with FG function will create a square wave output. You can know fan speed by sensing the output wave Frequency. Most dc fan have four pole. So when fan run for one round, there will be two high level pulse. About other Multipole brushless fan, high level pulse will be different.

But please notice if you want to sense it's output wave, there is a external circuit. Please check the circuit Diagram below. There is no pull-up and VCC value limit. But please notice the Max lin have to be small than 20mA.

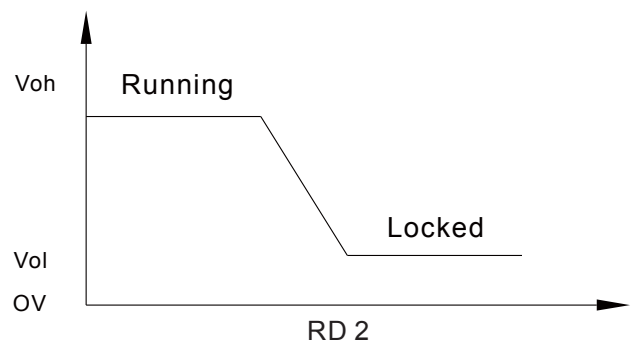
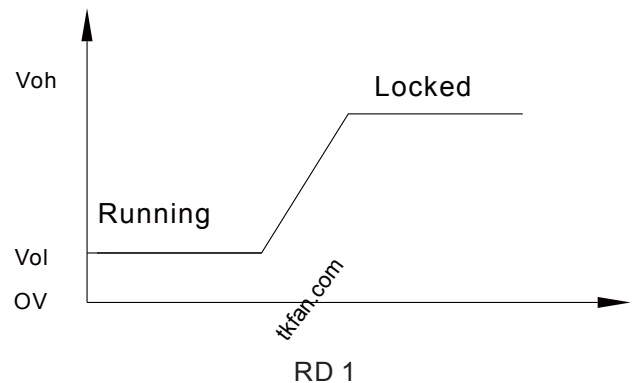
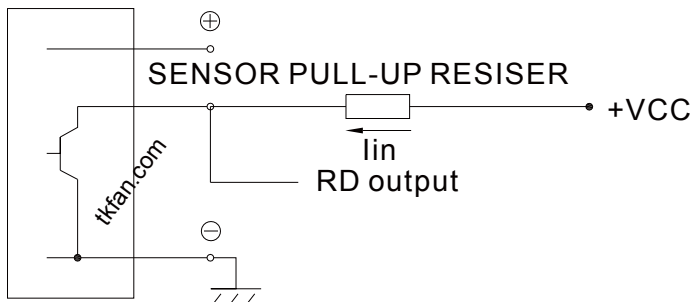
Inside of dcfan



## RD (Alarm output) connection Diagram

Some fan have RD extra function. There is a alarm signal output when fan stop work. Please notice there are Two kinds of signal output. Different customer will need different alarm type. Please check the diagram below.

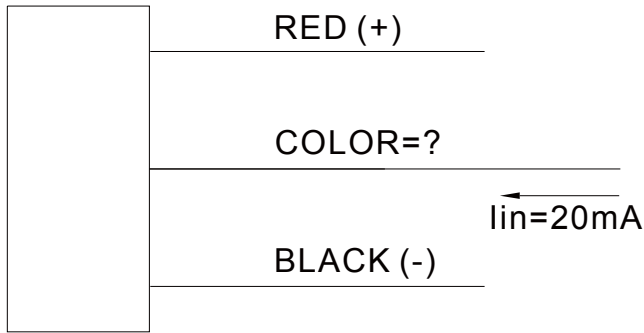
Inside of dcfan





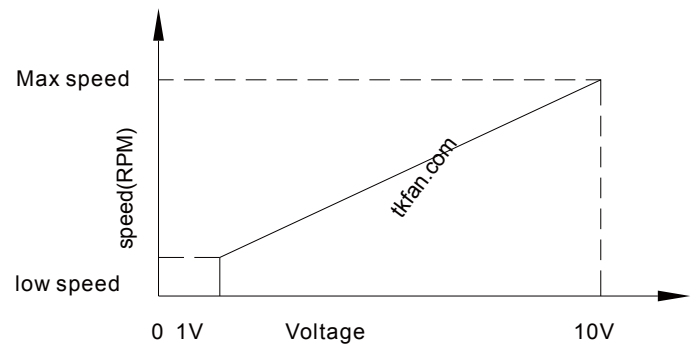
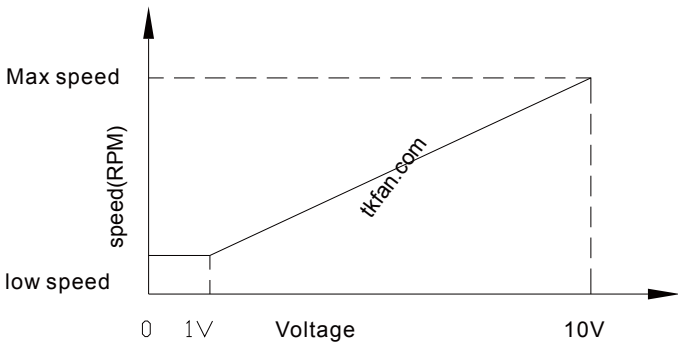
# PWM FUNCTION INTRODUCTION

## Connection diagram



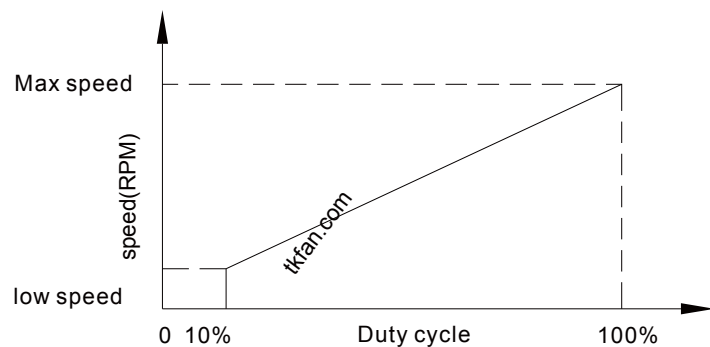
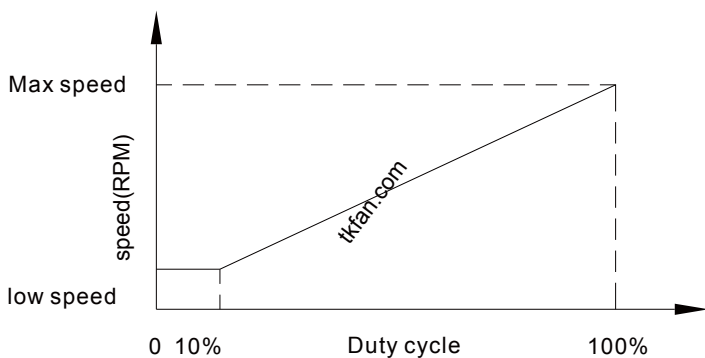
## PWM (DC Voltage control) Introduction

With this function, the speed can be controlled by applying an extra DC voltage signal. This voltage input "Vin" may have any value from 0V to 10V (0V~5V is ok too, it's depending on your application). Normally two kinds of "speed VS dc voltage curve" are used.



## PWM (duty cycle control) Introduction

With this function, the speed can be controlled by applying a pulse width modulated signal whose frequency maybe in the range of 25k Hz~30k Hz. High voltage means 3~10V. Low voltage means 0~0.8V. Normally two kinds "Speed Vs duty cycle curve" are used.





TKFAN®

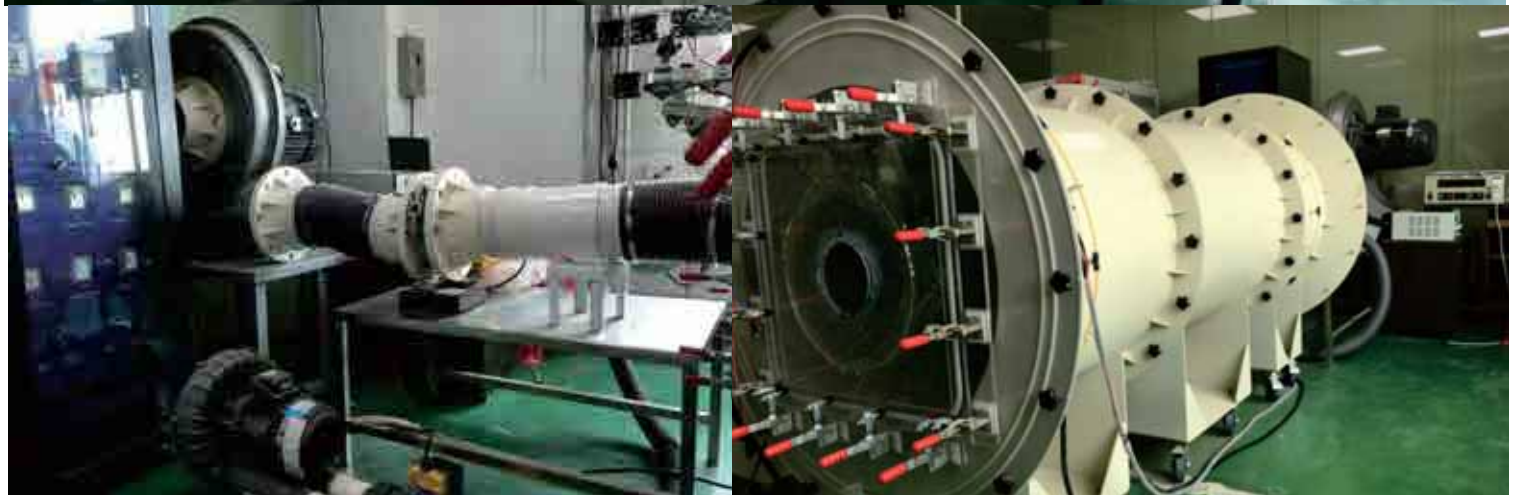
CE RoHS

# Two-Tier Airflow Test System

(0.5~60~2000cfm test range)

## 大型双重风量风压测试系统

(测试范围0.5~60~2000cfm)



### Performance性能

Small one: 0.5~60cfm, Precision: 0.1cfm  
Big one: 60~100~2000cfm, Precision: 0.5cfm  
Made in Taiwan

小风洞: 0.5~60cfm, 精度: 0.1cfm  
大风洞: 60~100~2000cfm, 精度: 0.5cfm  
台湾制造



TKFAN®

C US CE RoHS

# Noise Test System

(16dB Background Noise)

## 16dB 无响测试系统

(背景噪音16dB)



### Performance “ d

Background noise: 16dB  
Spectral range: 10hz~21Khz  
Spectral analysis: 1/3 frequency doubling

背景噪音：16dB  
频率范围：10hz~21Khz  
频率分析：1/3倍频